



US00D616169S

(12) **United States Design Patent**  
**Wolford et al.**

(10) **Patent No.:** **US D616,169 S**

(45) **Date of Patent:** **\*\* May 18, 2010**

(54) **LID FOR RECEPTACLE**

(75) Inventors: **Stephen Wolford**, Phoenix, MD (US);  
**A. P. Ramsey Crosby**, Towson, MD  
(US); **Paulette H. Crosby**, Towson, MD  
(US)

(73) Assignee: **Fan Cans, LLC**, Phoenix, MD (US)

(\*\*) Term: **14 Years**

(21) Appl. No.: **29/340,133**

(22) Filed: **Jul. 14, 2009**

**Related U.S. Application Data**

(63) Continuation of application No. 29/321,852, filed on  
Jul. 24, 2008, now Pat. No. Des. 596,363.

(51) **LOC (9) Cl.** ..... **09-09**

(52) **U.S. Cl.** ..... **D34/4**

(58) **Field of Classification Search** ..... D34/1,  
D34/4, 5, 6, 7, 8, 9, 10, 11; D7/604, 606,  
D7/625; D9/441, 451, 435; D11/133, 172,  
D11/184, 157; 220/908

See application file for complete search history.

(56) **References Cited**

**U.S. PATENT DOCUMENTS**

D507,181 S \* 7/2005 Malik ..... D9/451

D532,172 S \* 11/2006 Gianfrisco ..... D34/4  
D547,516 S \* 7/2007 Wolford et al. .... D34/4  
D586,063 S \* 2/2009 Wolford et al. .... D34/4  
D595,467 S \* 6/2009 Wolford et al. .... D34/4  
D596,363 S \* 7/2009 Wolford et al. .... D34/4  
D602,223 S \* 10/2009 Stegeby ..... D34/4

\* cited by examiner

*Primary Examiner*—Cynthia E Ramirez

(74) *Attorney, Agent, or Firm*—Whiteford, Taylor & Preston,  
L.L.P.

(57) **CLAIM**

The ornamental design for a lid for a receptacle, as shown and  
described.

**DESCRIPTION**

FIG. 1 is perspective view of a lid for receptacle showing our  
new design;

FIG. 2 is a right side view thereof;

FIG. 3 is a back view thereof;

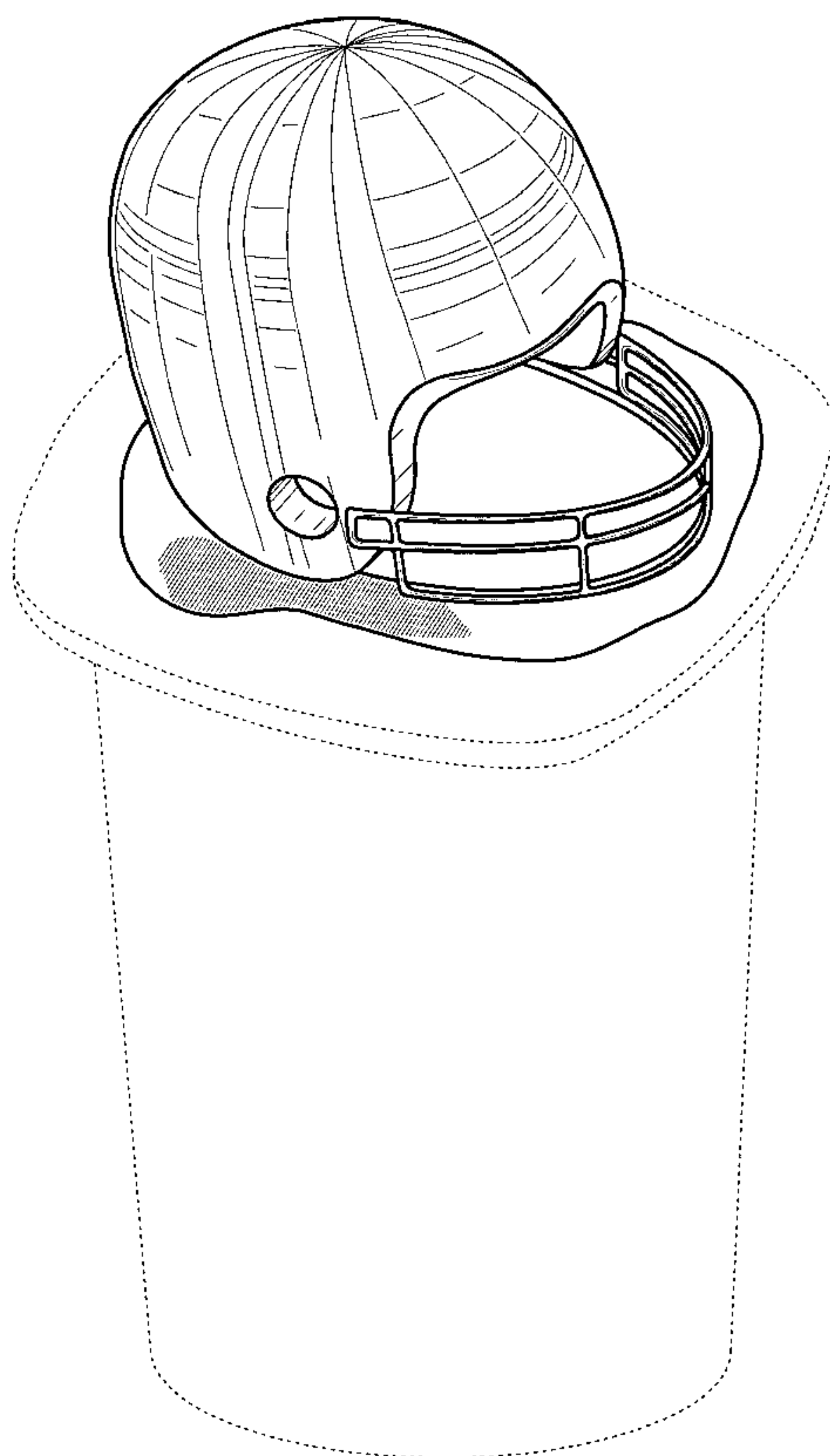
FIG. 4 is a left side view thereof;

FIG. 5 is a front view thereof; and,

FIG. 6 is a top plan view thereof.

The broken line showing of a receptacle is included for the  
purpose of illustrating environment and forms no part of the  
claimed design.

**1 Claim, 6 Drawing Sheets**



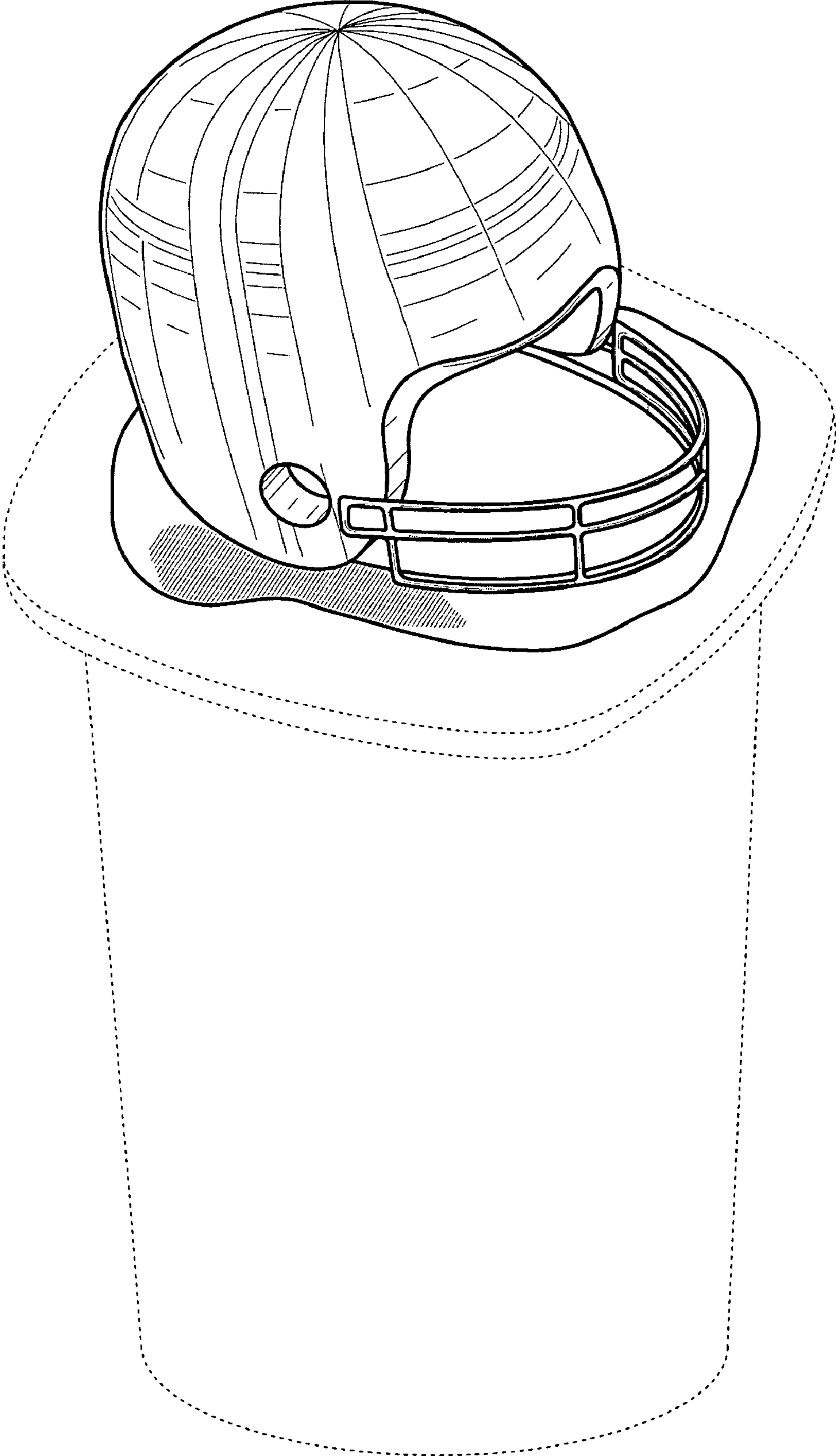


FIG. 1

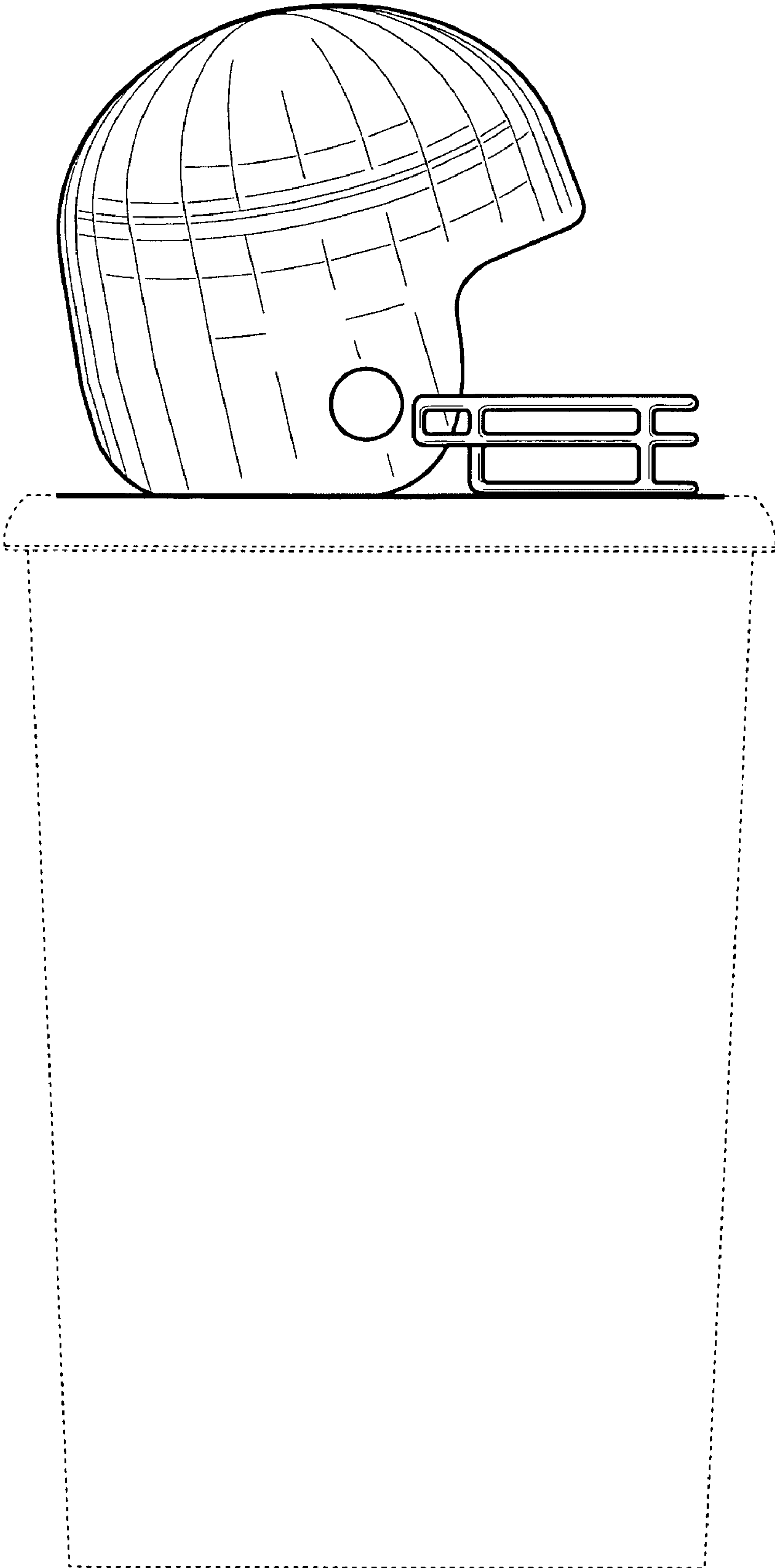


FIG. 2

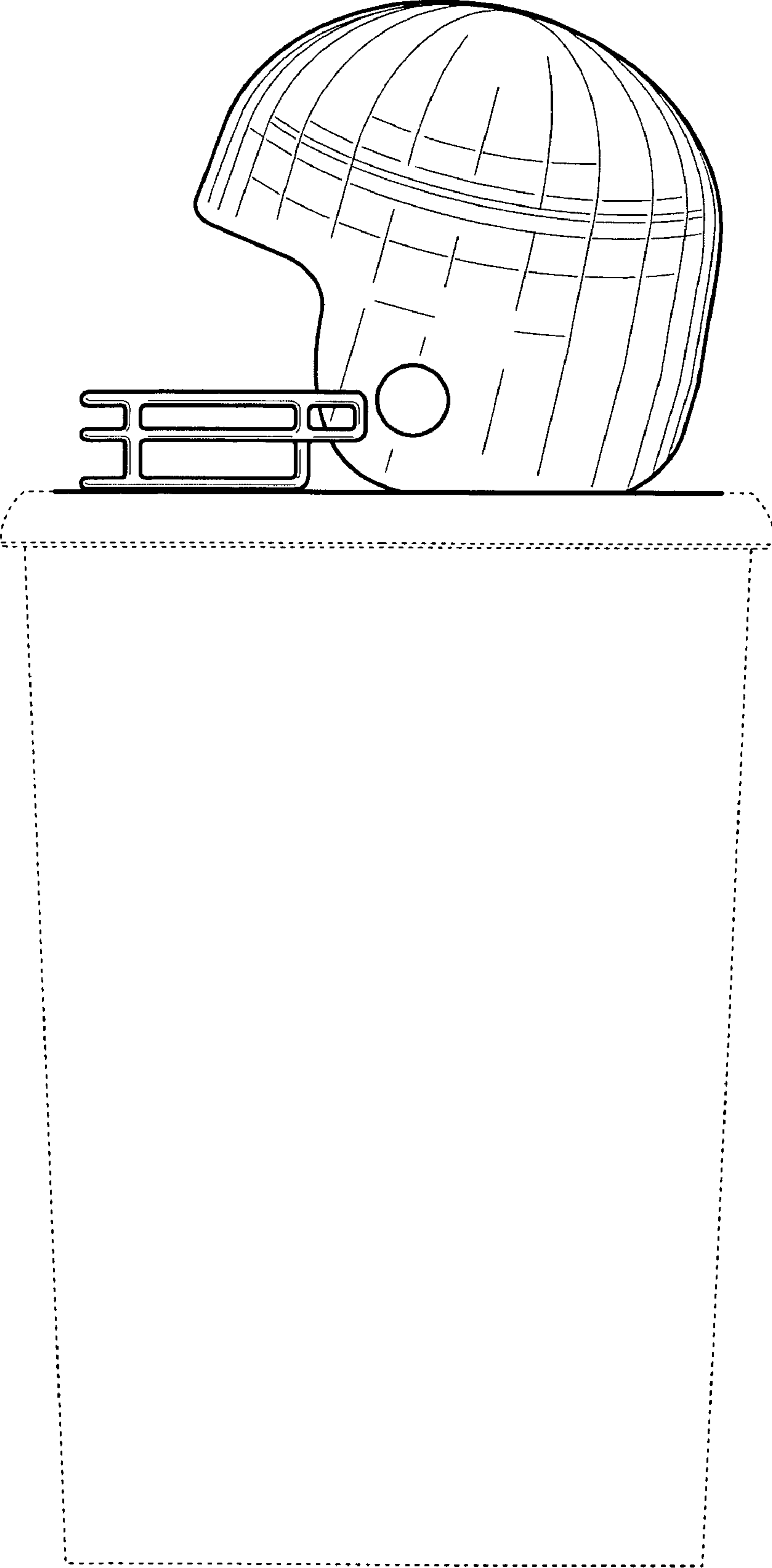


FIG. 3

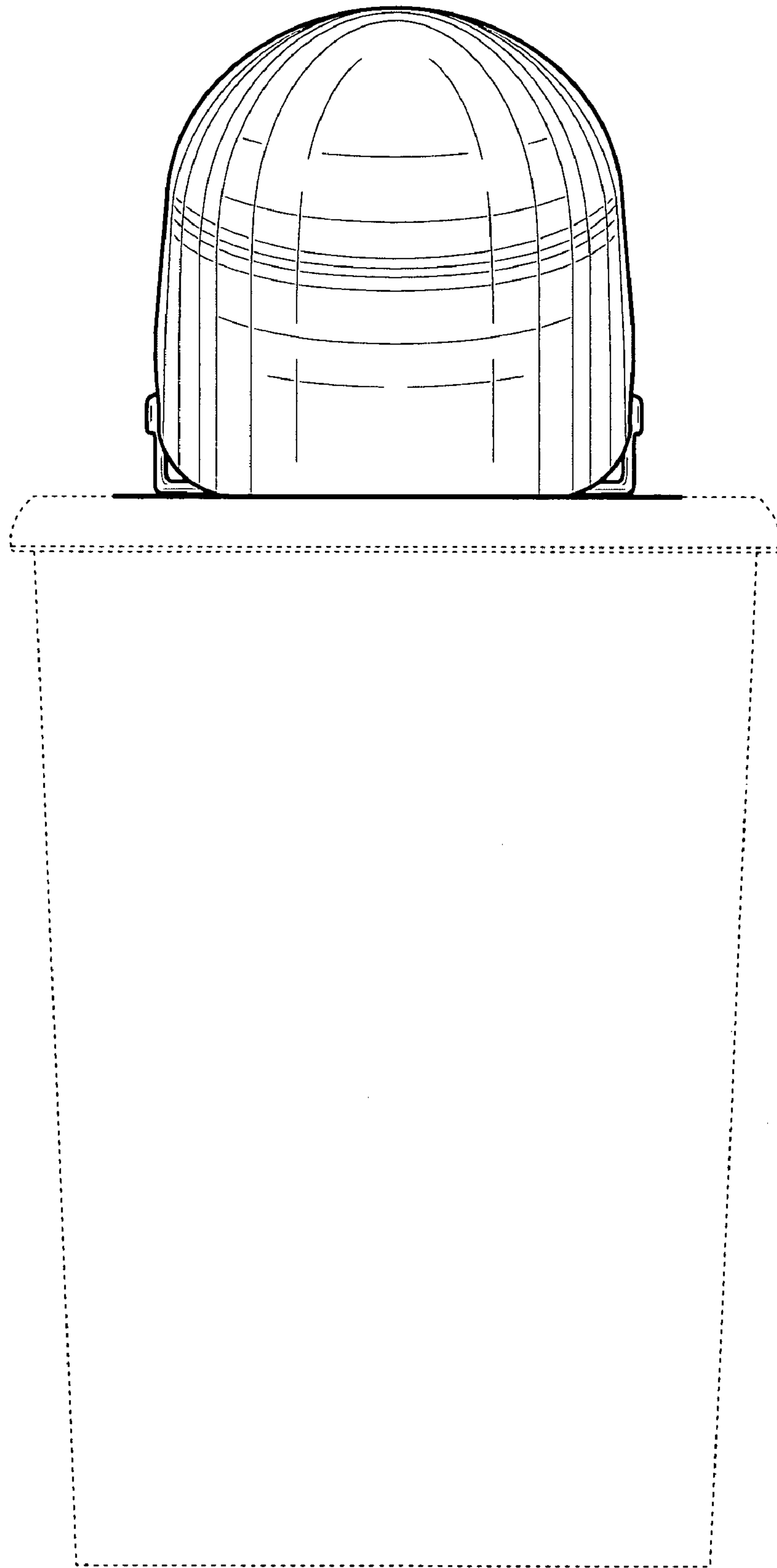


FIG. 4

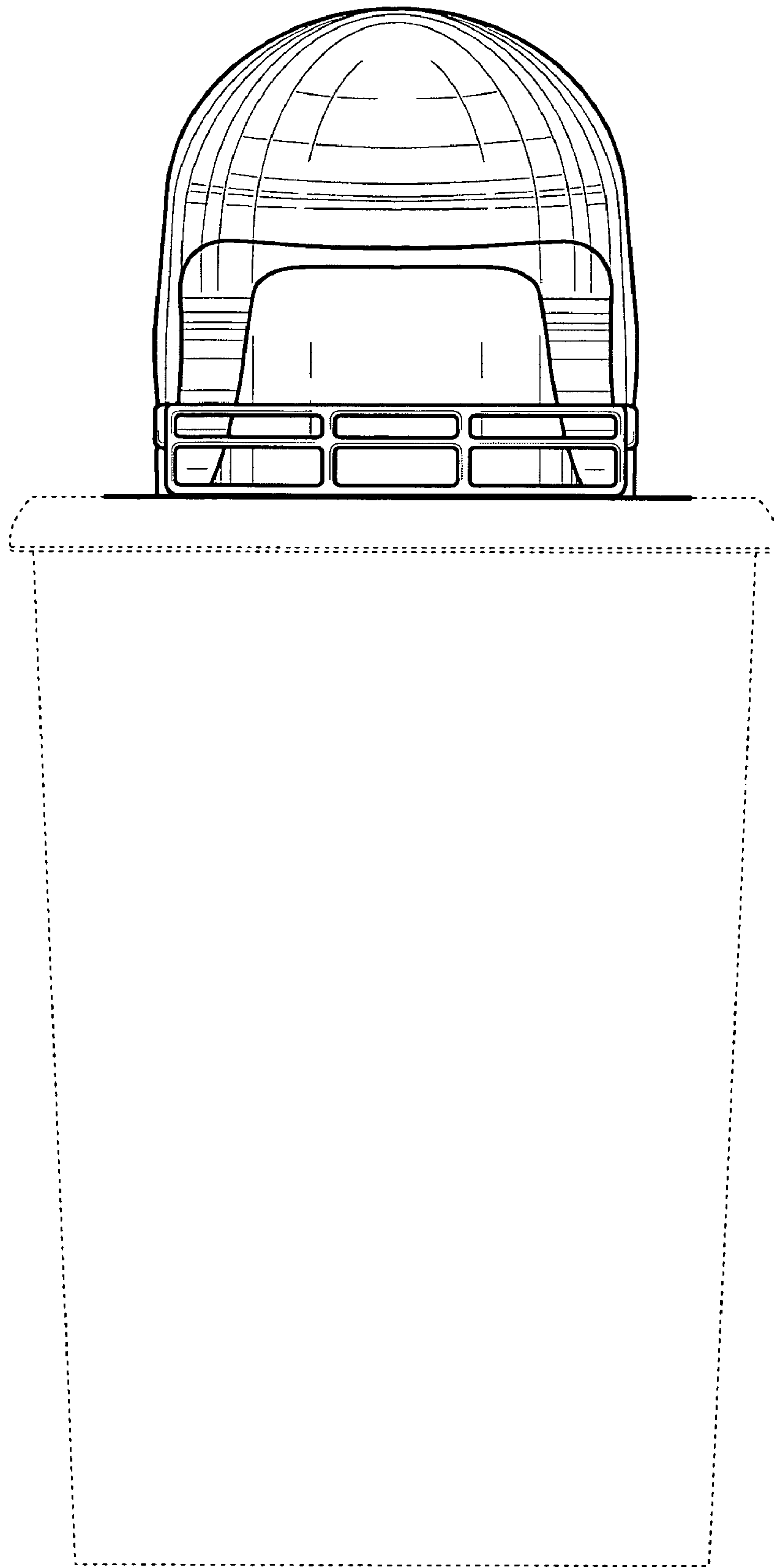


FIG. 5



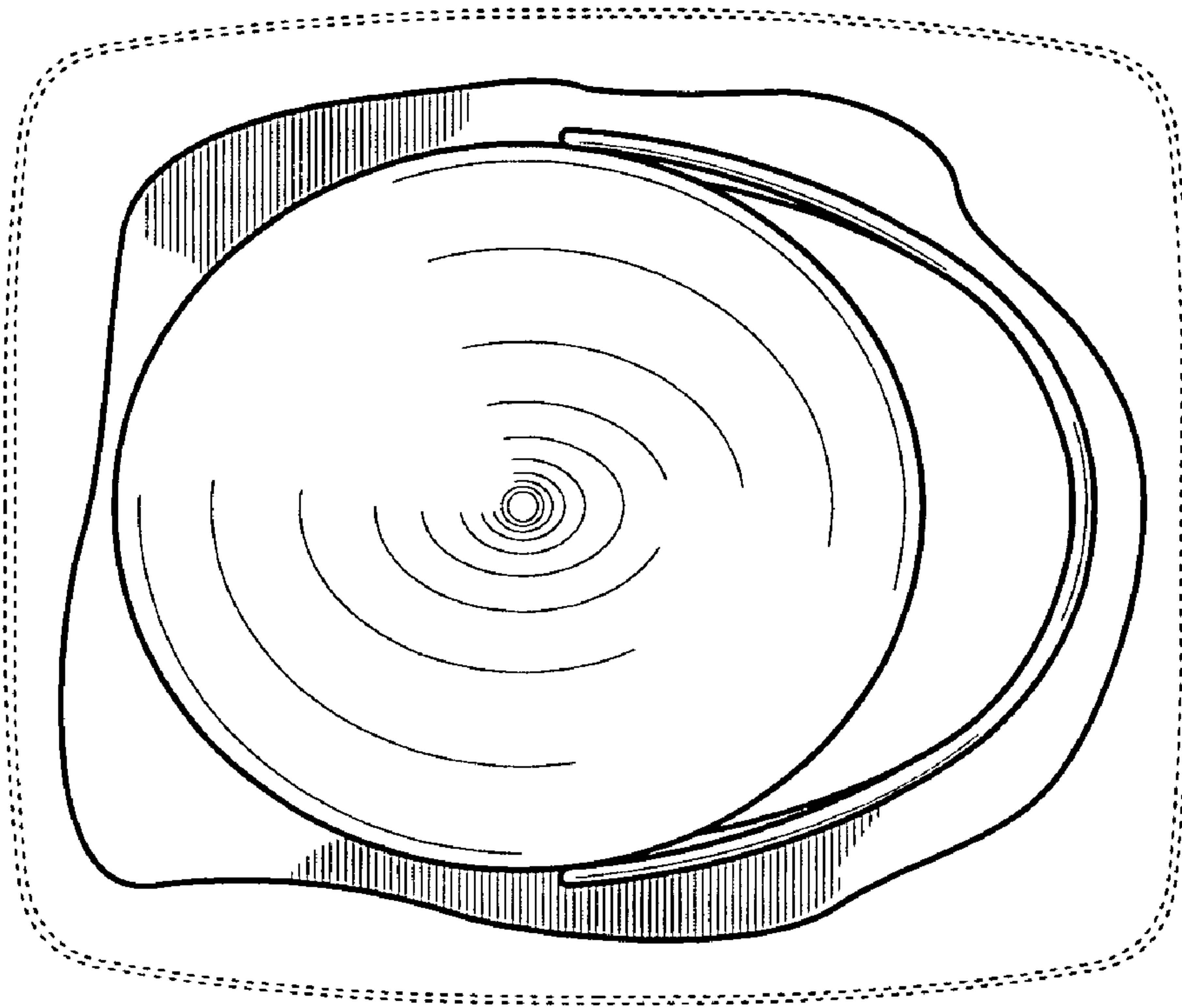


FIG. 6