



US00D616168S

(12) **United States Design Patent**
Libman et al.

(10) **Patent No.:** **US D616,168 S**

(45) **Date of Patent:** **** May 18, 2010**

(54) **BUCKET**

(75) Inventors: **Robert J. Libman**, Arcola, IL (US);
Enzo Berti, Pianiga (IT)

(73) Assignee: **The Libman Company**, Arcola, IL (US)

(**) Term: **14 Years**

(21) Appl. No.: **29/341,472**

(22) Filed: **Aug. 5, 2009**

(51) **LOC (9) Cl.** **07-07**

(52) **U.S. Cl.** **D32/53**

(58) **Field of Classification Search** D32/53,
D32/53.1, 54; 220/904; 15/260, 263, 264,
15/257.06

See application file for complete search history.

(56) **References Cited**

U.S. PATENT DOCUMENTS

1,486,284 A	3/1924	Eiffe	
4,716,619 A	1/1988	Young	
D320,295 S	9/1991	Delmerico	
D344,379 S	2/1994	Clark, Jr.	
D355,287 S *	2/1995	Camp, Jr.	D32/53.1
D374,321 S	10/1996	Mandell et al.	
D395,531 S	6/1998	Mandell et al.	
D429,396 S	8/2000	Houry et al.	
D429,862 S	8/2000	Houry et al.	
6,128,803 A	10/2000	Dickinson et al.	
6,389,638 B1	5/2002	Dickinson et al.	
D462,491 S	9/2002	Hauenstein	
D477,702 S *	7/2003	Kohn	D32/53.1
D499,223 S	11/2004	Libman et al.	
D515,263 S *	2/2006	Libman et al.	D32/53
D516,763 S	3/2006	Escarpa Gil	
D525,404 S	7/2006	Petner et al.	
D527,506 S	8/2006	Camp, Jr. et al.	
D530,870 S	10/2006	Lauer	
D531,368 S	10/2006	Lauer	
D531,772 S	11/2006	Lauer	

D536,851 S	2/2007	Lauer	
D544,669 S	6/2007	Casteel et al.	
D546,514 S *	7/2007	Byrne	D32/53
D550,418 S	9/2007	Weaver et al.	
D557,472 S	12/2007	Renner	
D557,991 S	12/2007	Hong	
D570,961 S *	6/2008	Grether	D23/249
D578,263 S	10/2008	Pho	
D581,119 S *	11/2008	Bergman	D32/53.1
D582,117 S *	12/2008	Chafe et al.	D32/53.1
7,571,831 B2	8/2009	Lauer et al.	
2002/0120997 A1	9/2002	Alt	
2003/0217428 A1	11/2003	Perelli	
2007/0266518 A1	11/2007	Hoyle et al.	
2008/0282493 A1	11/2008	Petner	

* cited by examiner

Primary Examiner—Robin V Webster

(74) *Attorney, Agent, or Firm*—Banner & Witcoff, Ltd.

(57) **CLAIM**

The ornamental design for a bucket, as shown and described.

DESCRIPTION

FIG. 1 is a top front right perspective view of a bucket showing our new design;

FIG. 2 is a bottom view thereof;

FIG. 3 is a top view thereof;

FIG. 4 is a left side view thereof;

FIG. 5 is a right side view thereof;

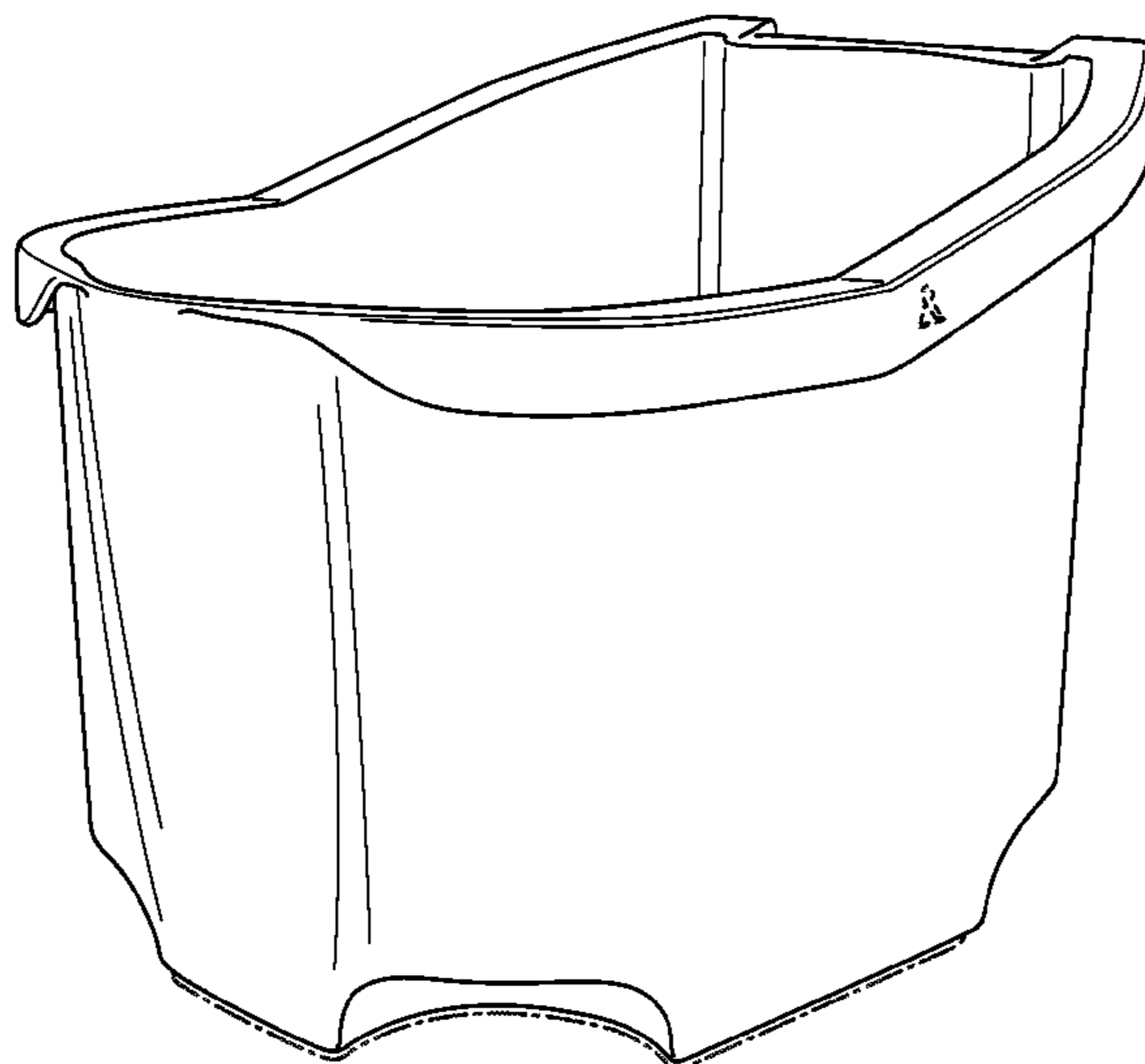
FIG. 6 is a front view thereof;

FIG. 7 is a rear view thereof; and,

FIG. 8 is the bottom rear right perspective view thereof.

The dash-dot-dash lines immediately adjacent to the shaded areas represent unclaimed boundaries of the claimed design. The dot-dot lines showing the remainder of the bucket are for illustrative purposes only and form no part of the claimed design.

1 Claim, 8 Drawing Sheets



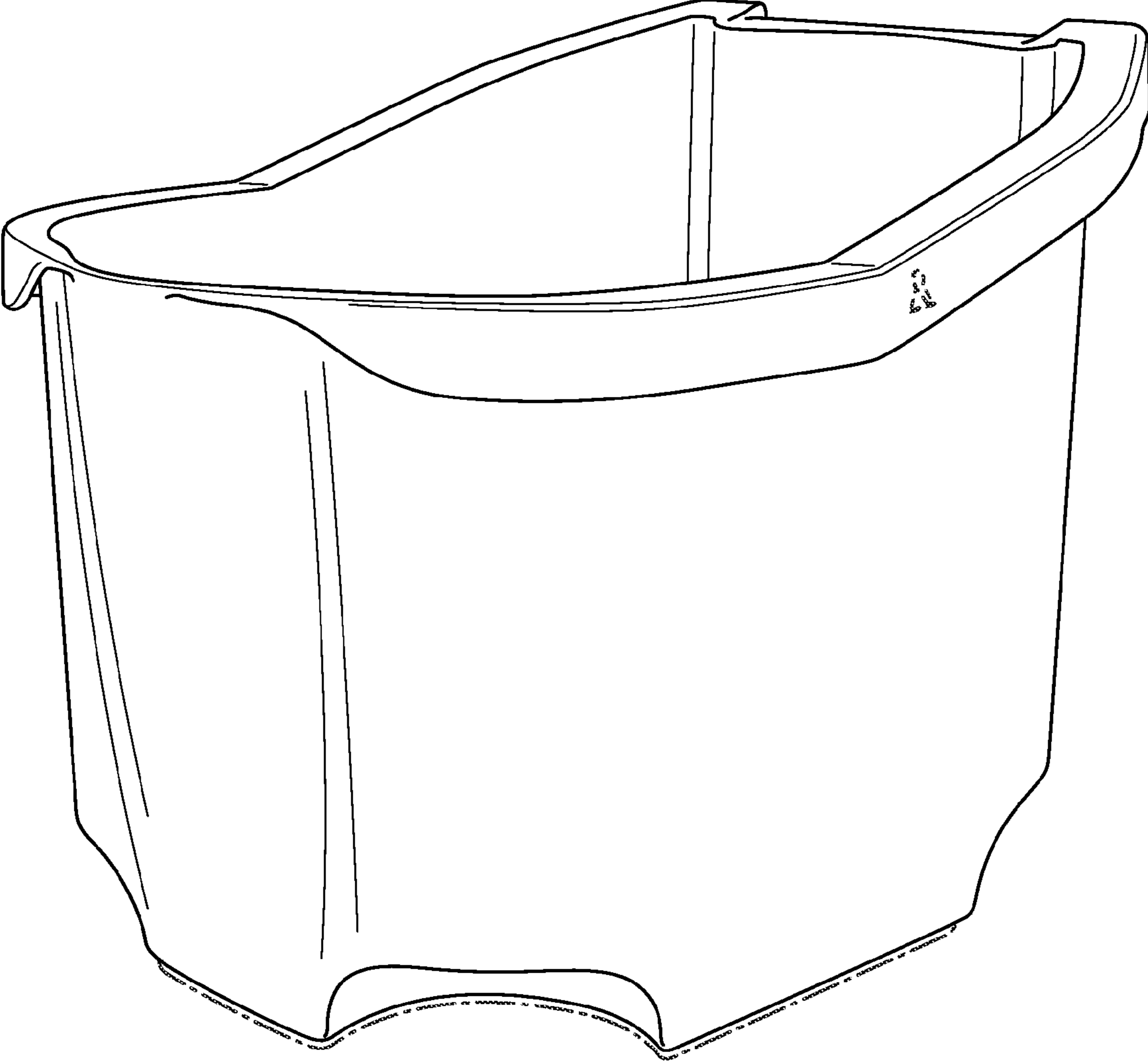


FIG. 1

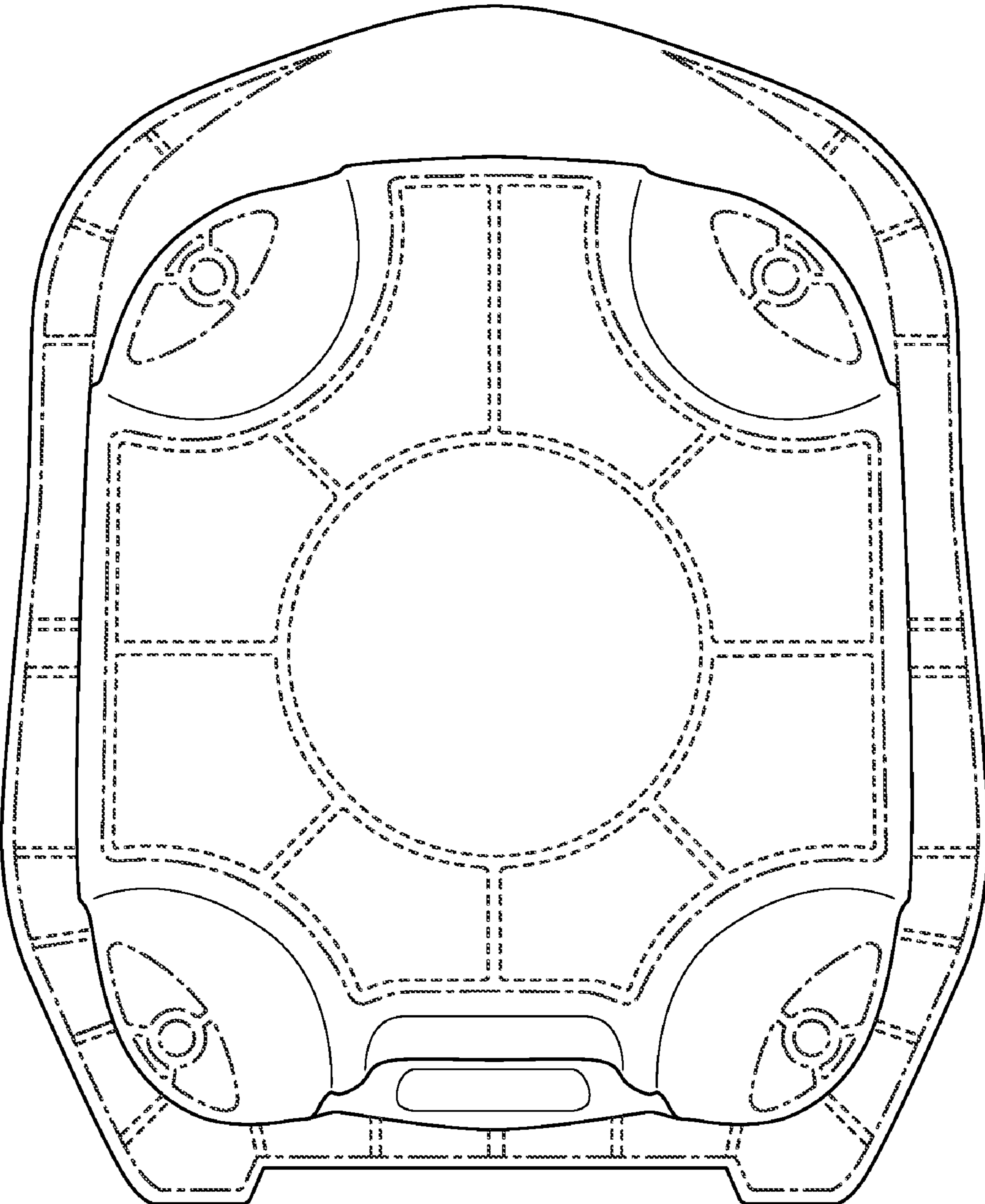


FIG. 2

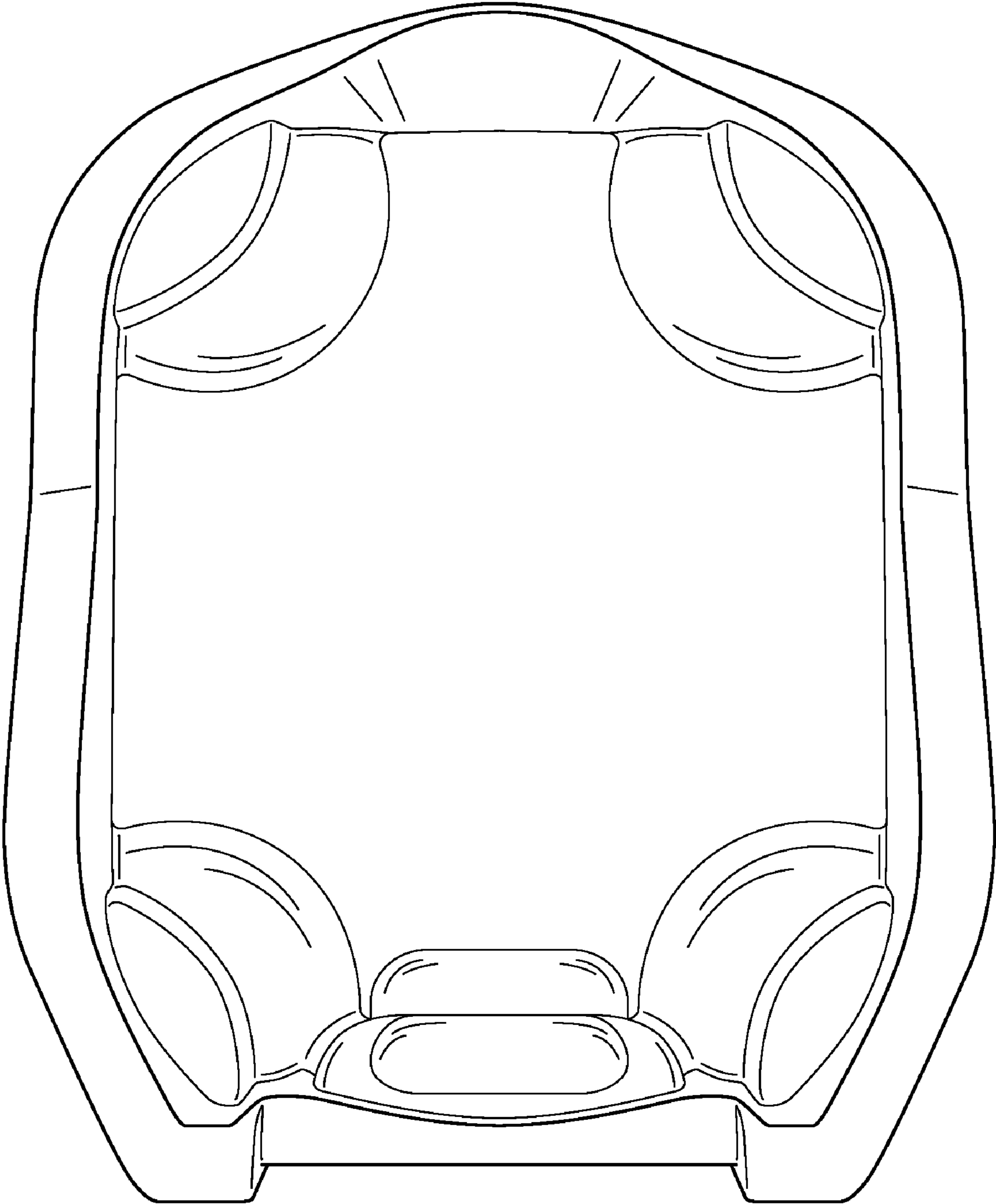


FIG. 3

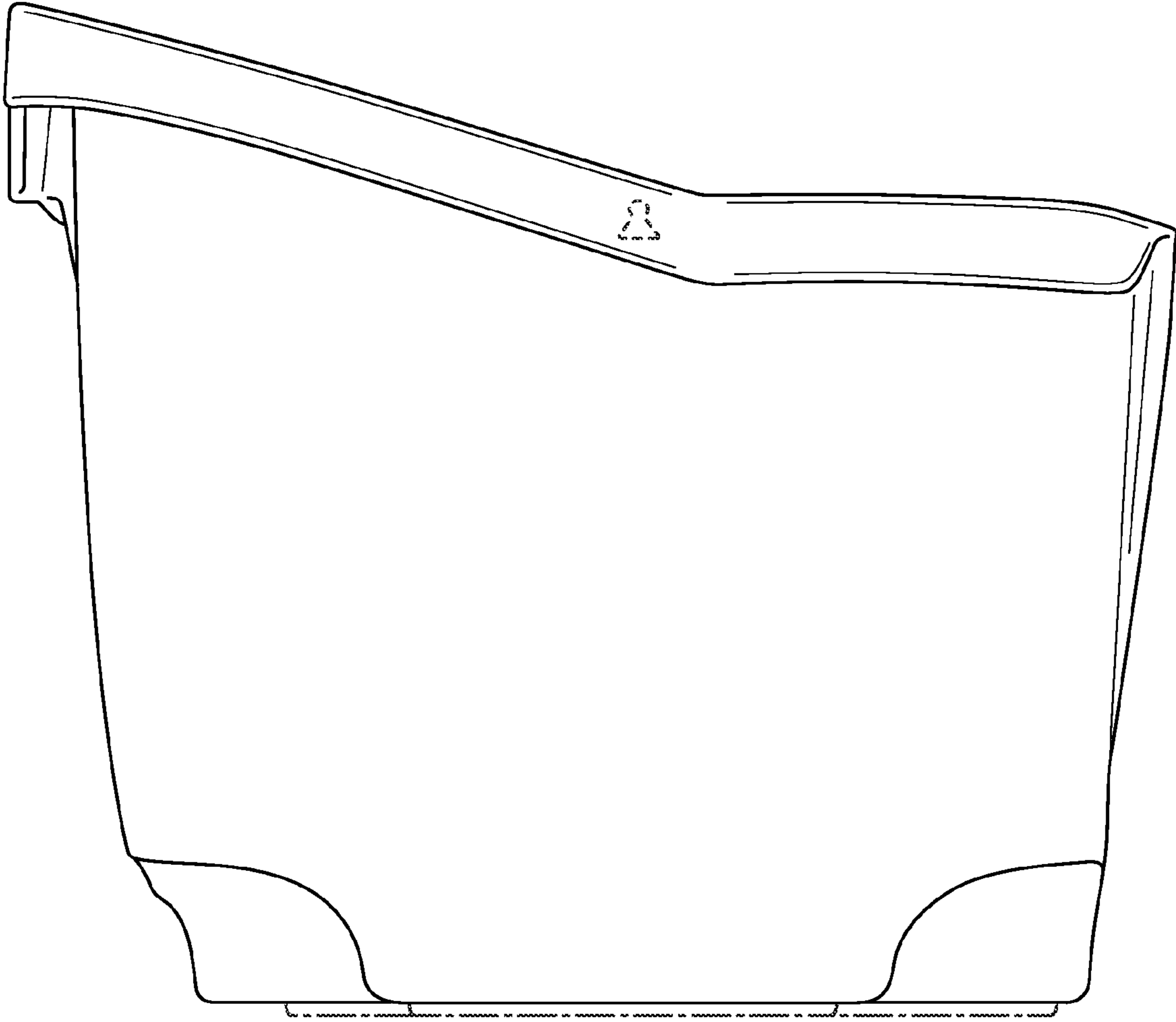


FIG. 4

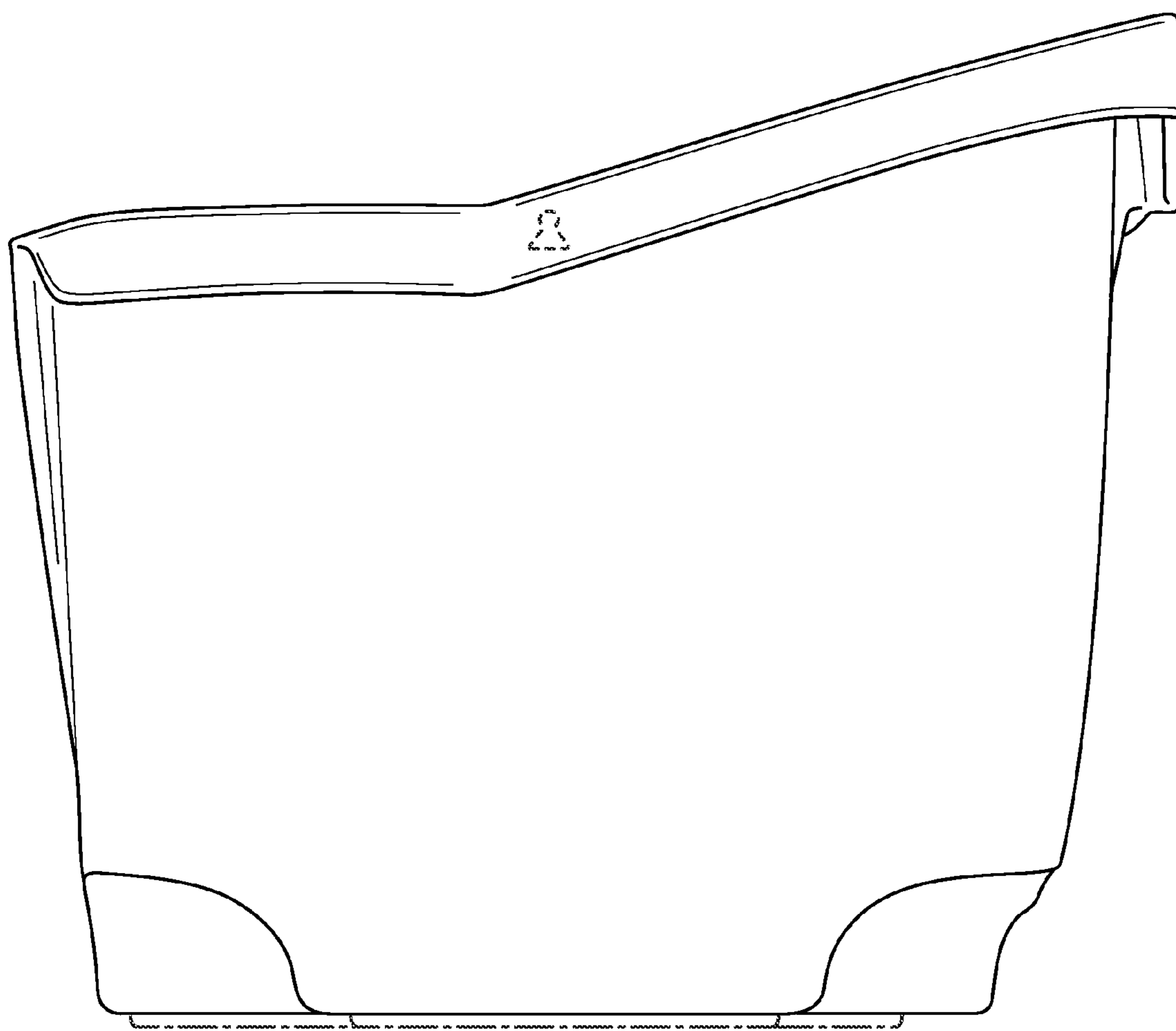


FIG. 5

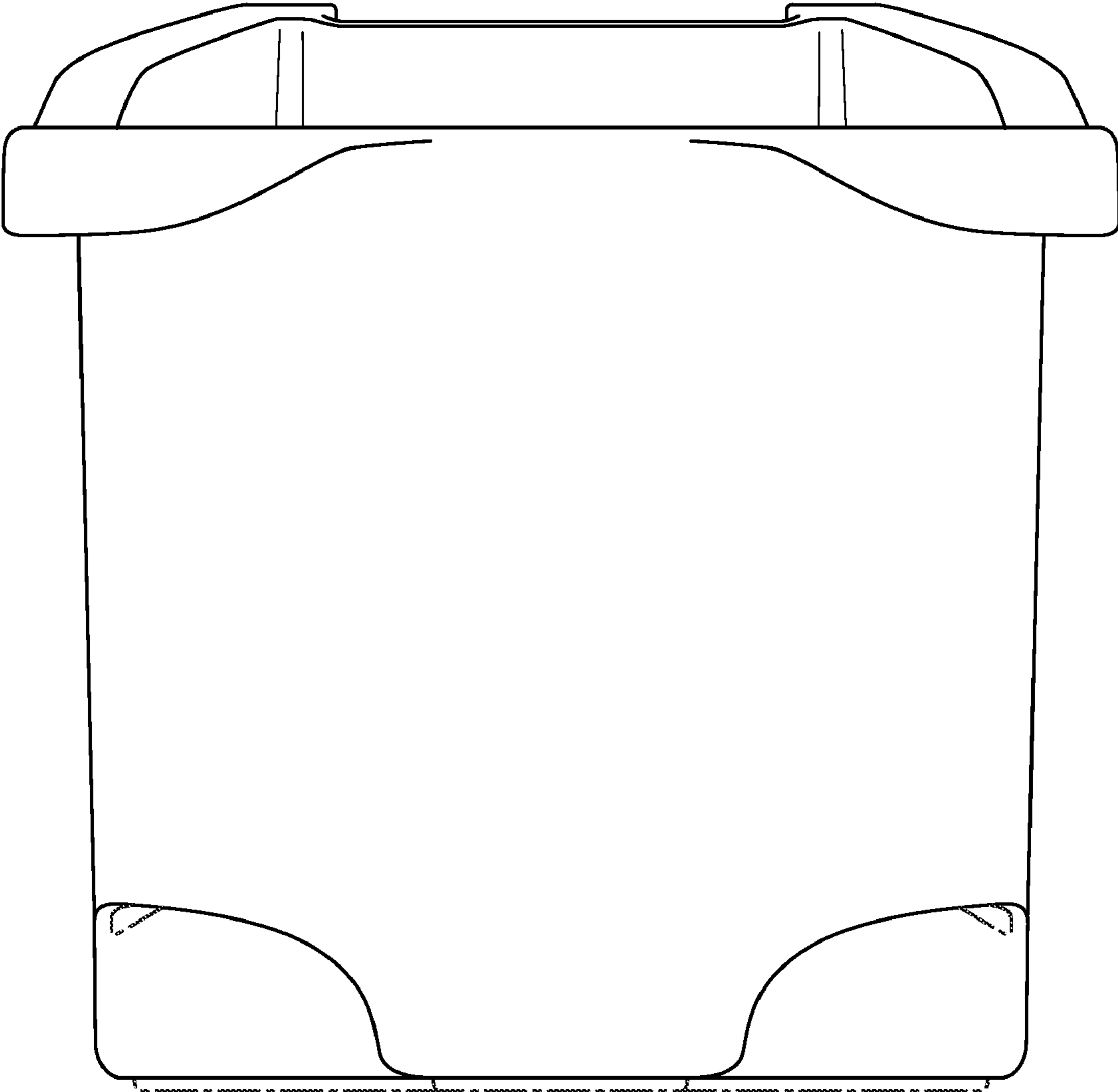


FIG. 6

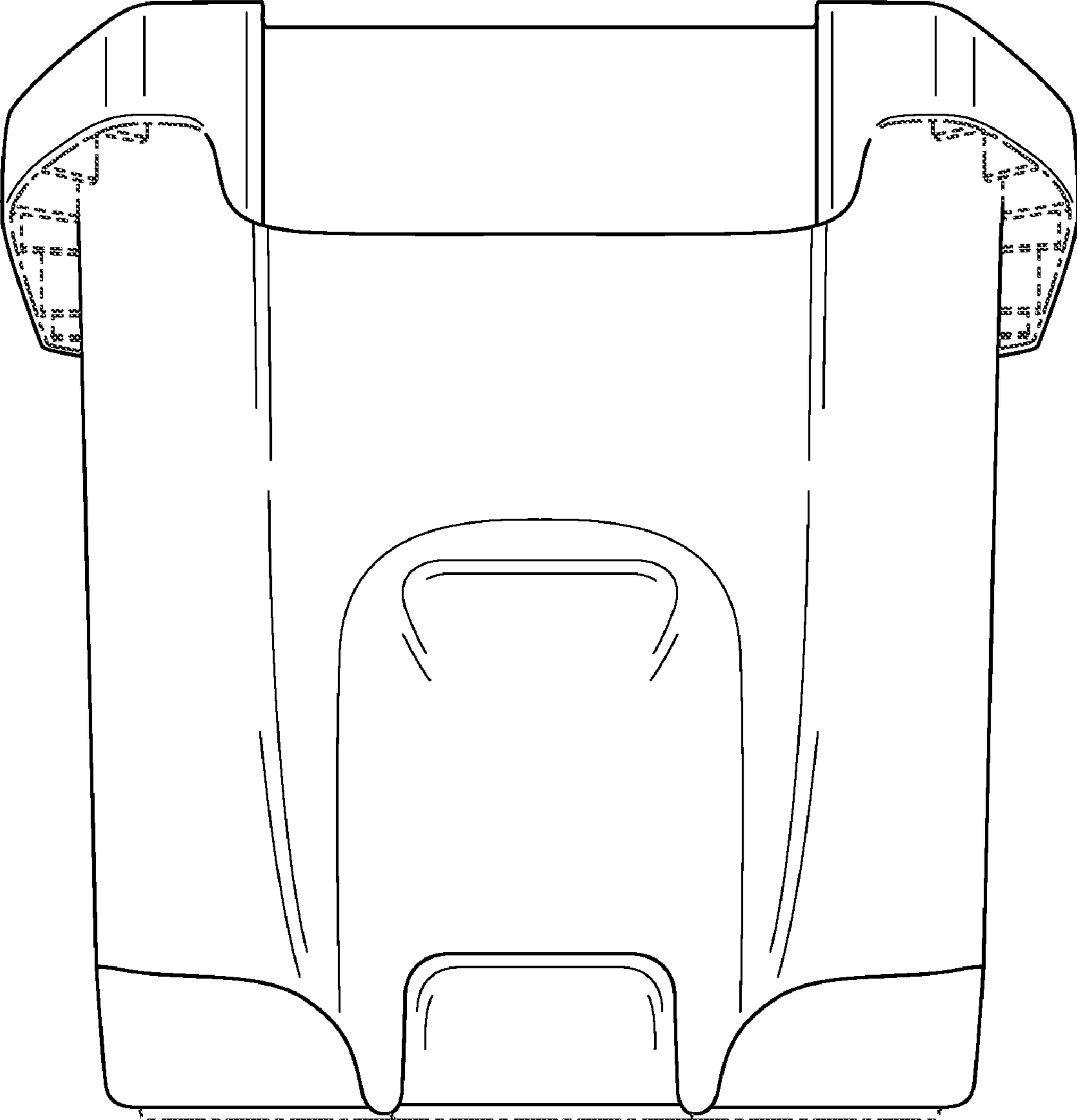


FIG. 7

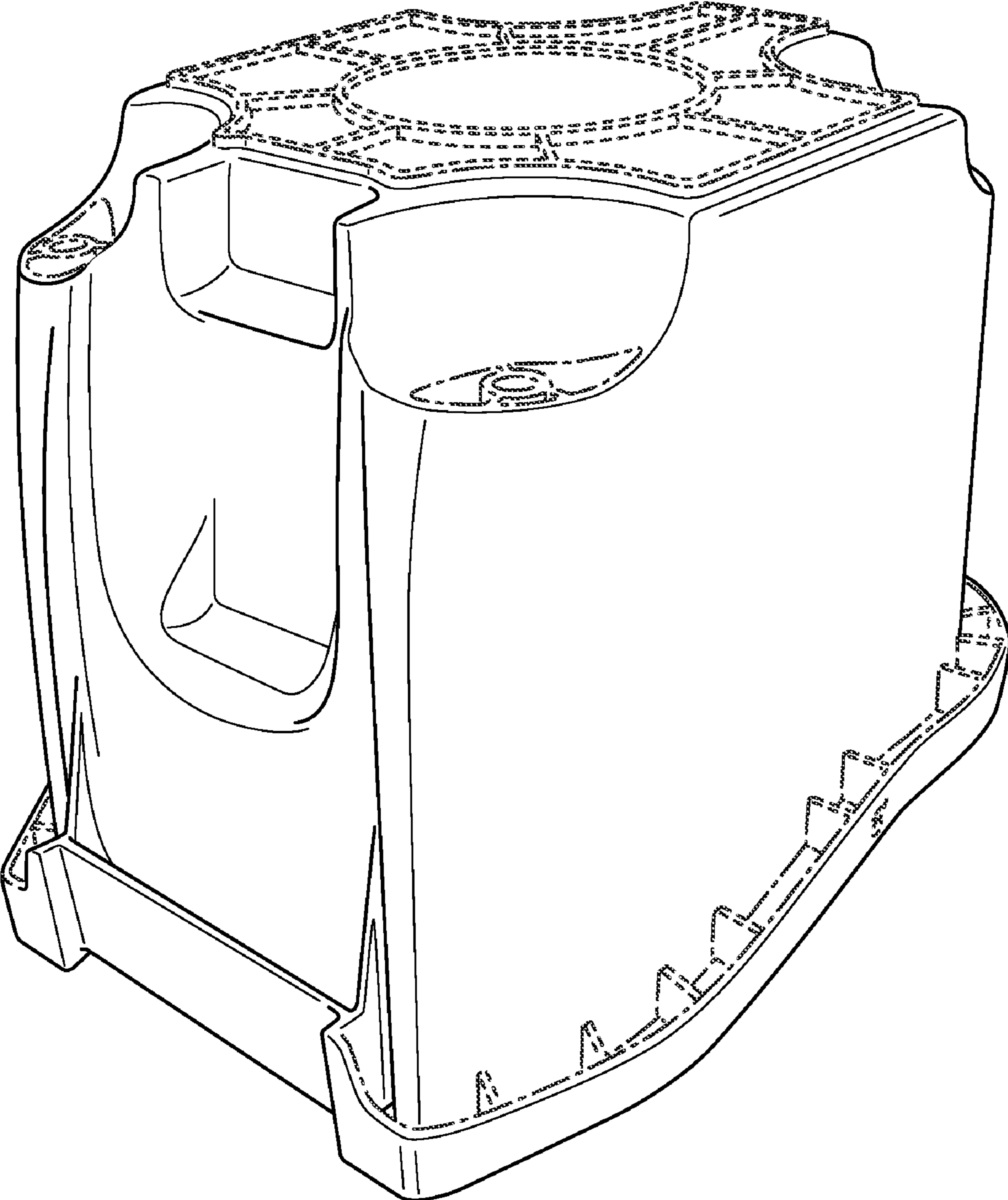


FIG. 8