



US00D616167S

(12) **United States Design Patent**
Yamamoto et al.

(10) **Patent No.:** **US D616,167 S**
(45) **Date of Patent:** **** May 18, 2010**

(54) **LENS CLEANER**

(75) Inventors: **Shinji Yamamoto**, Kyoto (JP); **Kenko Kawahara**, Kyoto (JP); **Yuji Hori**, Kyoto (JP); **Junji Takamoto**, Kyoto (JP); **Masato Ibuki**, Kyoto (JP)

(73) Assignee: **Nintendo Co., Ltd.**, Kyoto (JP)

(**) Term: **14 Years**

(21) Appl. No.: **29/332,788**

(22) Filed: **Feb. 25, 2009**

(30) **Foreign Application Priority Data**

Aug. 26, 2008 (JP) 2008-021874

(51) **LOC (9) Cl.** **08-99**

(52) **U.S. Cl.** **D32/35**

(58) **Field of Classification Search** D32/35, D32/40, 45, 52; D4/146, 114, 121, 127, D4/130, 132-133, 136, 138; 15/105.52, 15/107, 114, 118, 237, 142, 104.92, 21.1, 15/320-321, 323; 401/146, 6, 268, 118, 401/123, 131; 369/71, 72; 134/6, 9
See application file for complete search history.

(56) **References Cited**

U.S. PATENT DOCUMENTS

D166,124 S * 3/1952 Pearce D4/120
3,048,399 A * 8/1962 Breitbach 473/457
D260,408 S * 8/1981 Ruffing D32/51
5,040,160 A * 8/1991 Moriya 369/71
D321,035 S * 10/1991 Geneve et al. D23/223
5,088,083 A * 2/1992 Olson 369/71
D340,271 S * 10/1993 Chou D21/731

D366,737 S * 1/1996 Chen D32/35
5,499,228 A * 3/1996 Takeda 369/71
D407,118 S * 3/1999 Whitten D20/10
D409,336 S * 5/1999 Stein D28/63
5,953,301 A * 9/1999 Shimo et al. 369/71
D418,945 S * 1/2000 Chen D28/63
D448,573 S * 10/2001 Chen D4/119
D489,611 S * 5/2004 Monsanty D9/435
D498,590 S * 11/2004 Borovsky D3/264
D545,514 S * 6/2007 Jaricot D32/35
D546,011 S * 7/2007 Favuzzi D32/40
D552,813 S * 10/2007 Wolff D32/40
D553,873 S 10/2007 Fujino et al.
D594,418 S 6/2009 Fujino et al.

* cited by examiner

Primary Examiner—Cathron C Brooks

Assistant Examiner—Austin Murphy

(74) *Attorney, Agent, or Firm*—Nixon & Vanderhye, P.C.

(57) **CLAIM**

We claim the ornamental design for a lens cleaner, as shown and described.

DESCRIPTION

FIG. 1 is a front, bottom and left perspective view of a lens cleaner of our new design;

FIG. 2 is a rear, top and right perspective view thereof;

FIG. 3 is a front view thereof;

FIG. 4 is a rear view thereof;

FIG. 5 is a top plan view thereof;

FIG. 6 is a bottom plan view thereof;

FIG. 7 is a left side view thereof; and,

FIG. 8 is a right side view thereof.

1 Claim, 3 Drawing Sheets

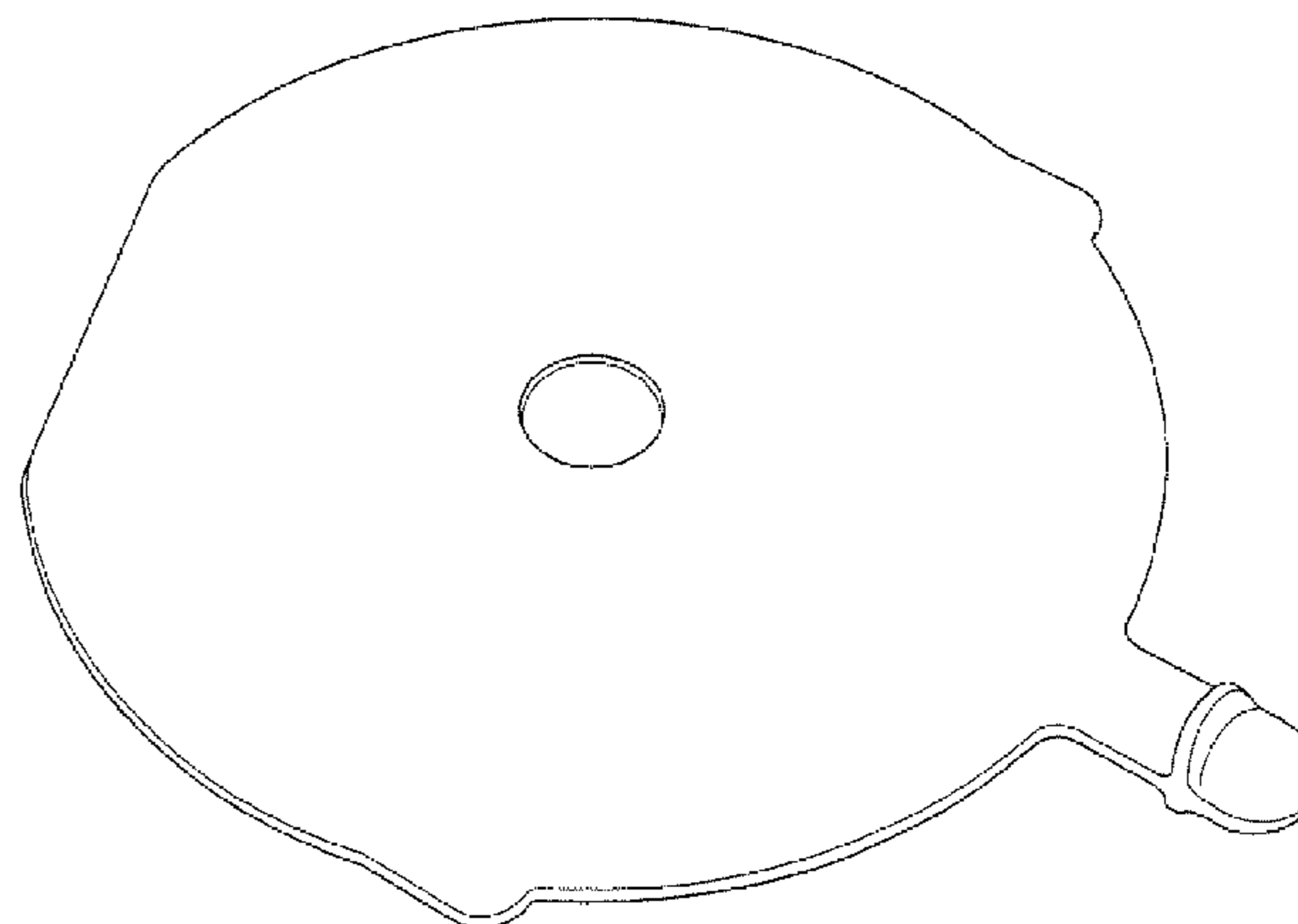
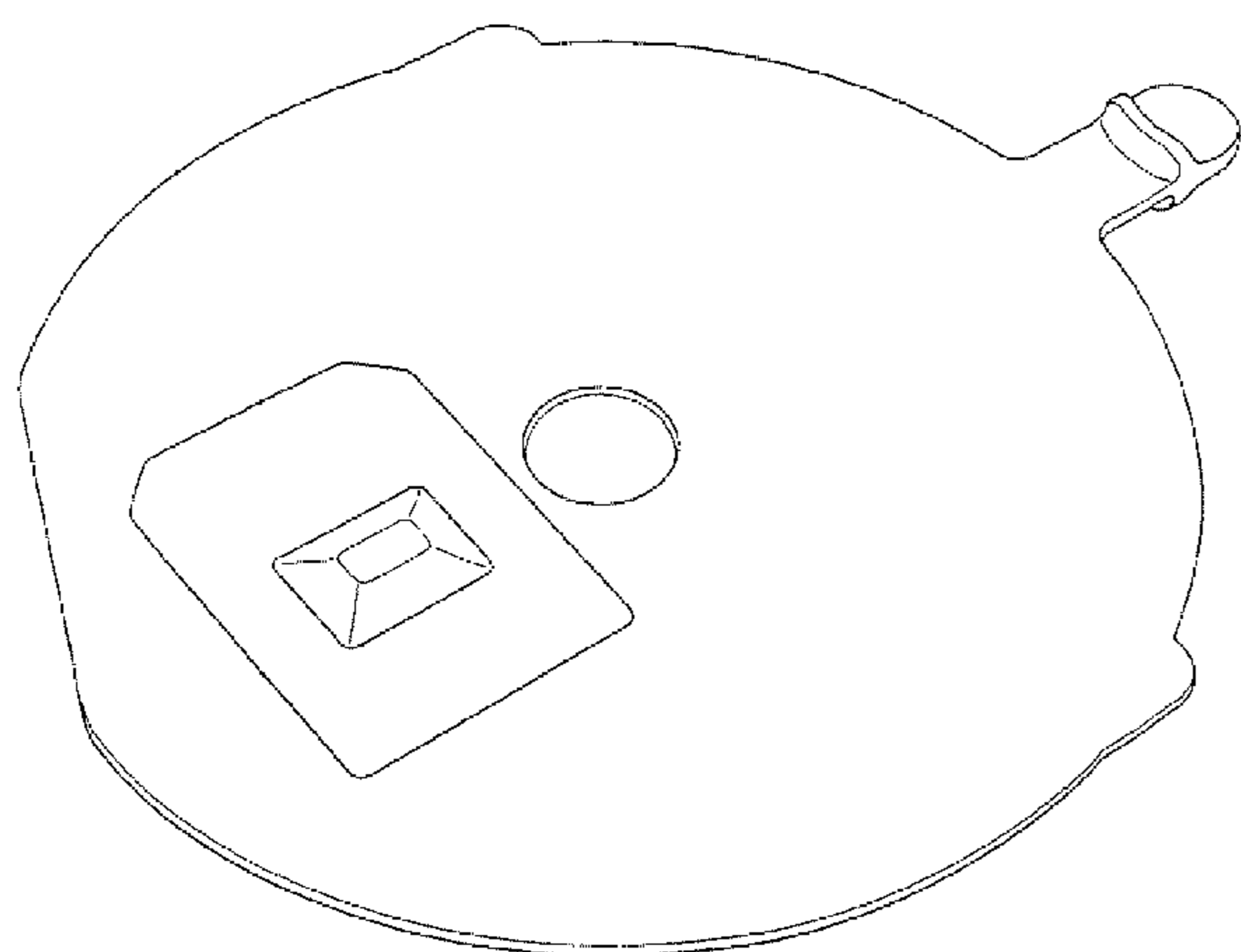


FIG. 1

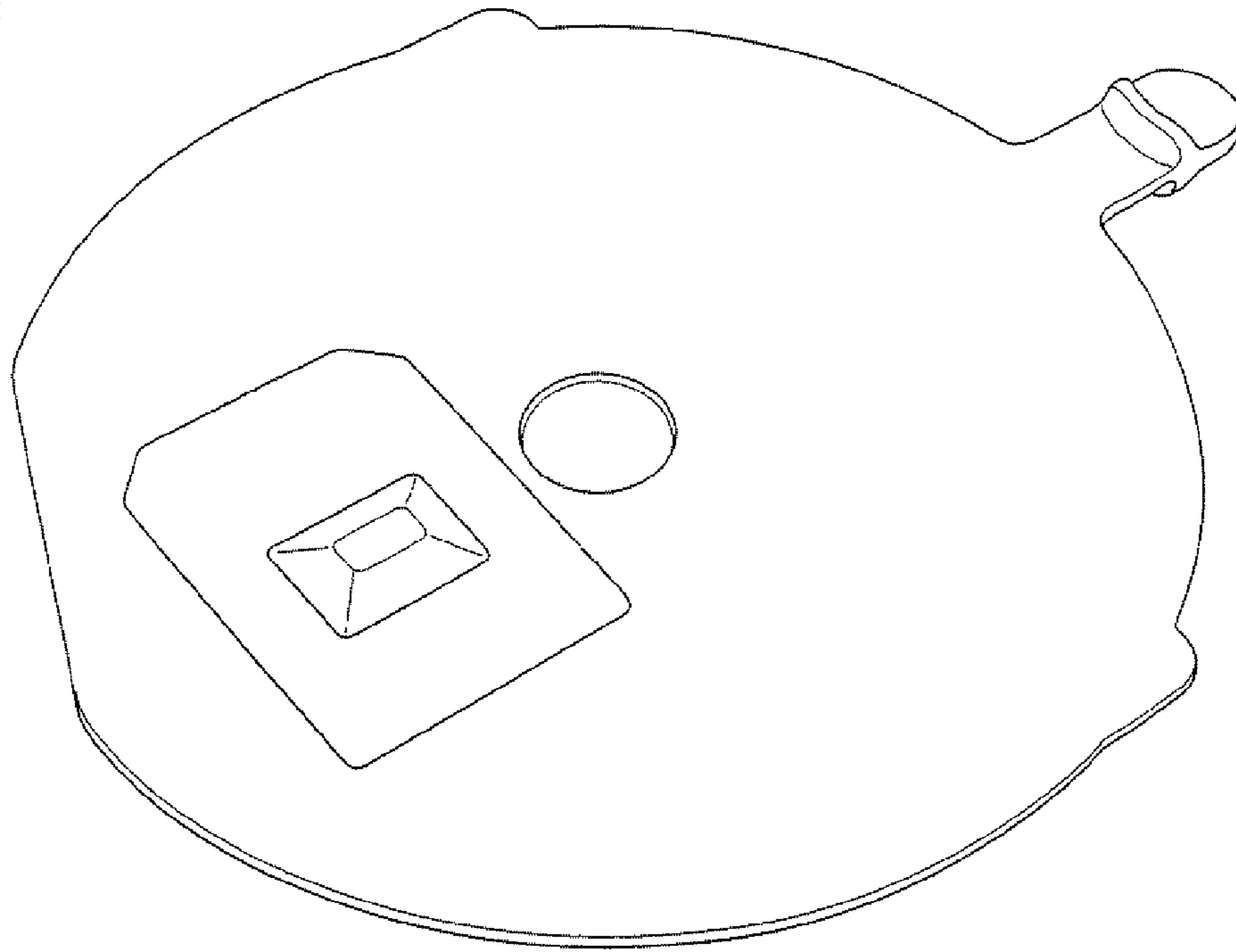


FIG. 2

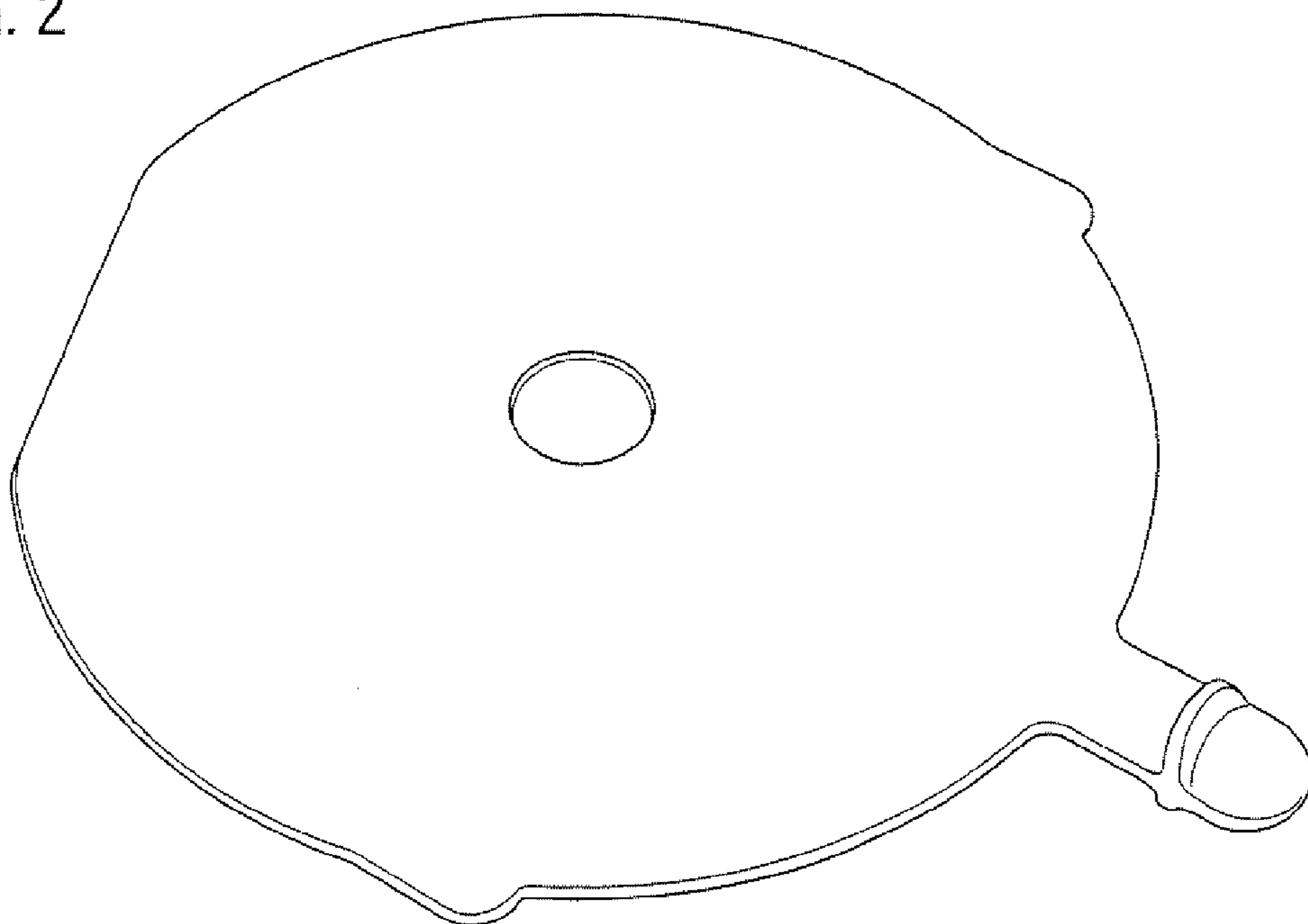


FIG. 3

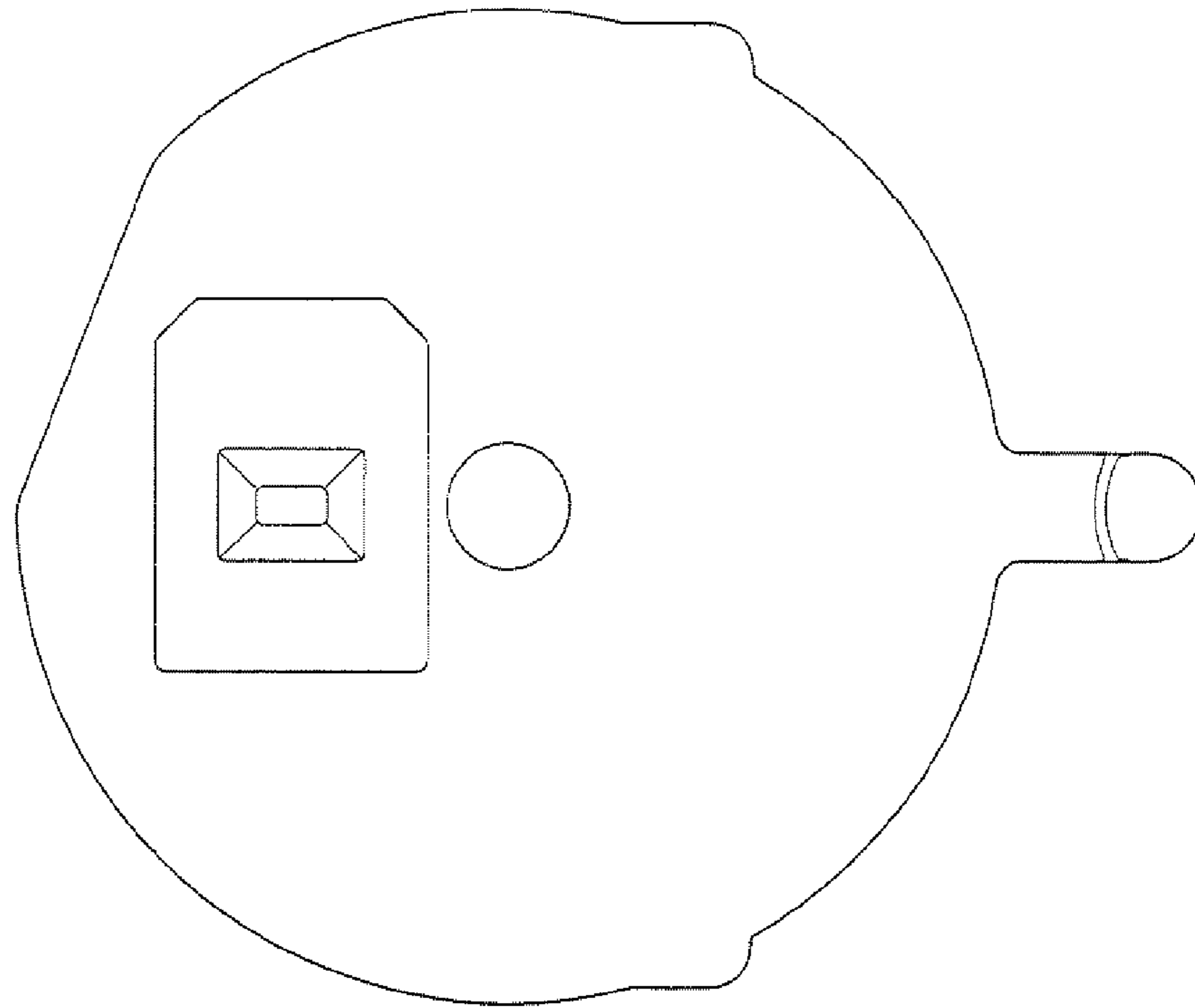


FIG. 4

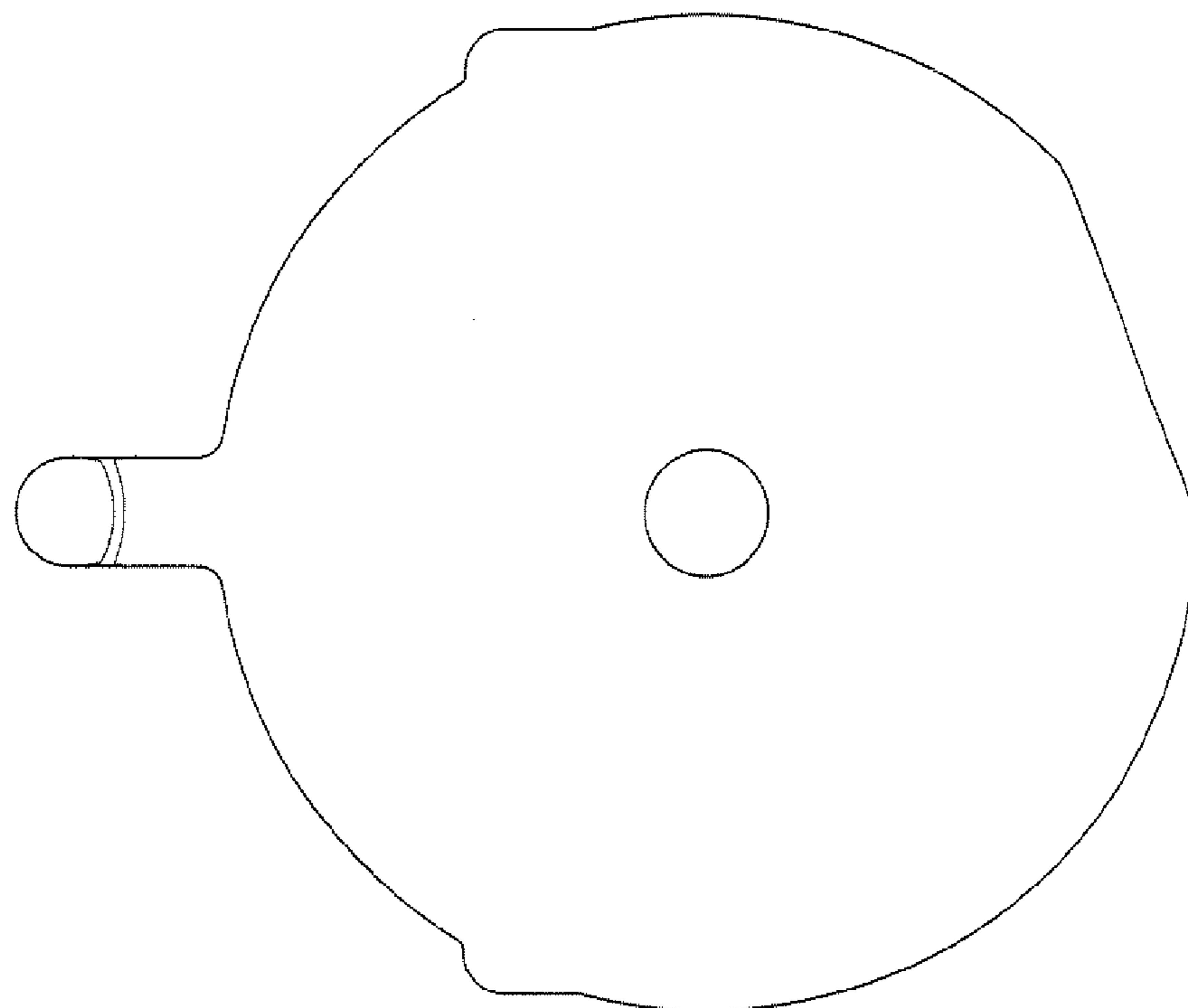


FIG. 5

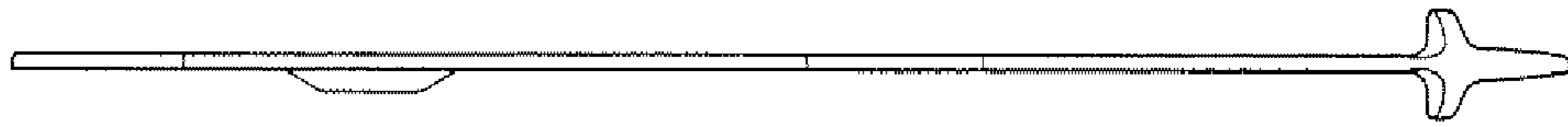


FIG. 6

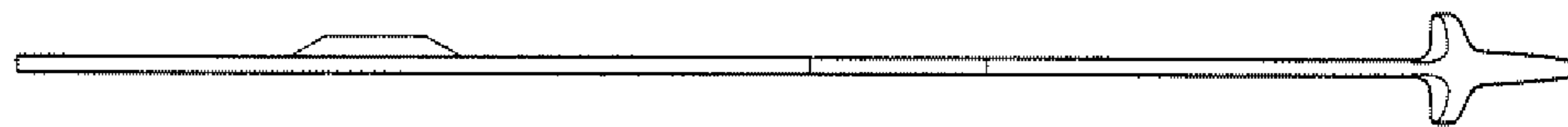


FIG. 7



FIG. 8

