



US00D616164S

(12) **United States Design Patent**  
**McLeod et al.**

(10) **Patent No.:** **US D616,164 S**

(45) **Date of Patent:** **\*\* May 18, 2010**

(54) **PART OF A VACUUM CLEANER**

(75) Inventors: **David Andrew McLeod**, Malmesbury (GB); **Matthew William Steel**, Malmesbury (GB); **Matthew Robert Jupe**, Malmesbury (GB)

(73) Assignee: **Dyson Limited**, Malmesbury (GB)

(\*\*) Term: **14 Years**

(21) Appl. No.: **29/341,685**

(22) Filed: **Aug. 11, 2009**

(30) **Foreign Application Priority Data**

Feb. 14, 2009 (GB) ..... 4010242

(51) **LOC (9) Cl.** ..... **15-05**

(52) **U.S. Cl.** ..... **D32/32**

(58) **Field of Classification Search** ..... D32/31-34;  
15/414-422.1, 236.04, 144.4, 144.3, 406,  
15/104.05, 383, 377, 412, 400-402, 387,  
15/322, 344

See application file for complete search history.

(56) **References Cited**

**U.S. PATENT DOCUMENTS**

D333,539	S	*	2/1993	Kramer et al.	.....	D32/32
5,564,161	A	*	10/1996	Glatz	.....	15/415.1
D427,737	S	*	7/2000	Dyson et al.	.....	D32/32
D449,724	S	*	10/2001	Nighy et al.	.....	D32/32
D460,231	S	*	7/2002	Bagwell et al.	.....	D32/32
D487,827	S	*	3/2004	Iike et al.	.....	D32/32
D487,828	S	*	3/2004	Iike et al.	.....	D32/32
D507,854	S	*	7/2005	Kim	.....	D32/32

D511,231	S		11/2005	Langham et al.	
D518,933	S		4/2006	Courtney	
D543,669	S	*	5/2007	Ikeno et al.	..... D32/32
D556,963	S	*	12/2007	Houghton	..... D32/32
D564,720	S	*	3/2008	Dyson et al.	..... D32/32
D565,265	S	*	3/2008	Quance et al.	..... D32/32
D567,459	S		4/2008	Dyson et al.	
D599,515	S	*	9/2009	Davies et al.	..... D32/32
D600,418	S		9/2009	Dyson et al.	
D600,419	S		9/2009	Dyson et al.	
D600,869	S	*	9/2009	Dyson et al.	..... D32/32
2009/0313786	A1	*	12/2009	Cookson	..... 15/415.1
2009/0320235	A1	*	12/2009	Lee	..... 15/415.1
2010/0058554	A1	*	3/2010	Ashbee	..... 15/415.1

\* cited by examiner

*Primary Examiner*—Ruth McInroy

(74) *Attorney, Agent, or Firm*—Morrison & Foerster LLP

(57) **CLAIM**

We claim the ornamental design for a part of a vacuum cleaner, as shown and described.

**DESCRIPTION**

FIG. 1 is a perspective view of a part of a vacuum cleaner showing our new design;

FIG. 2 is a plan view thereof from above;

FIG. 3 is a bottom view thereof;

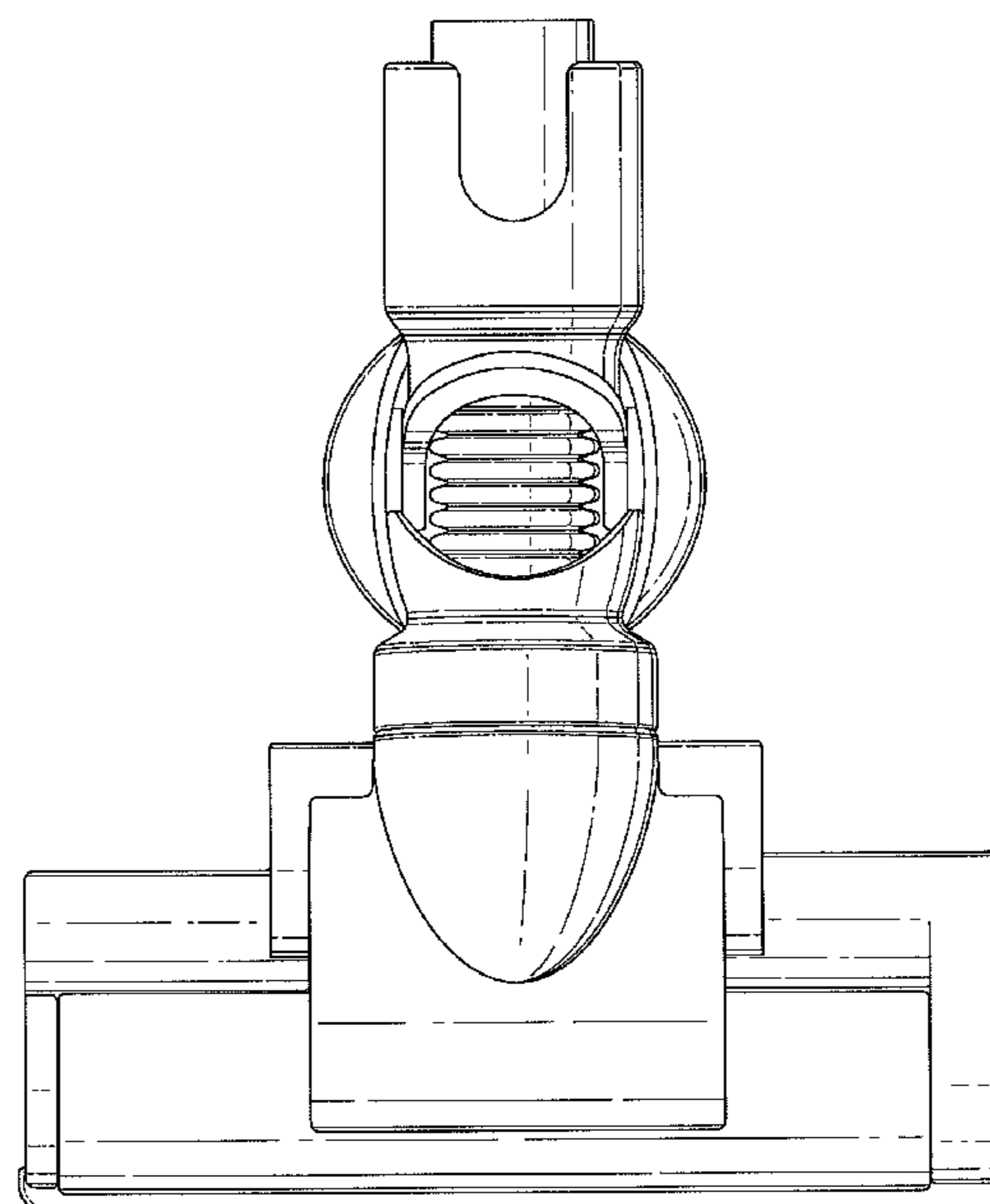
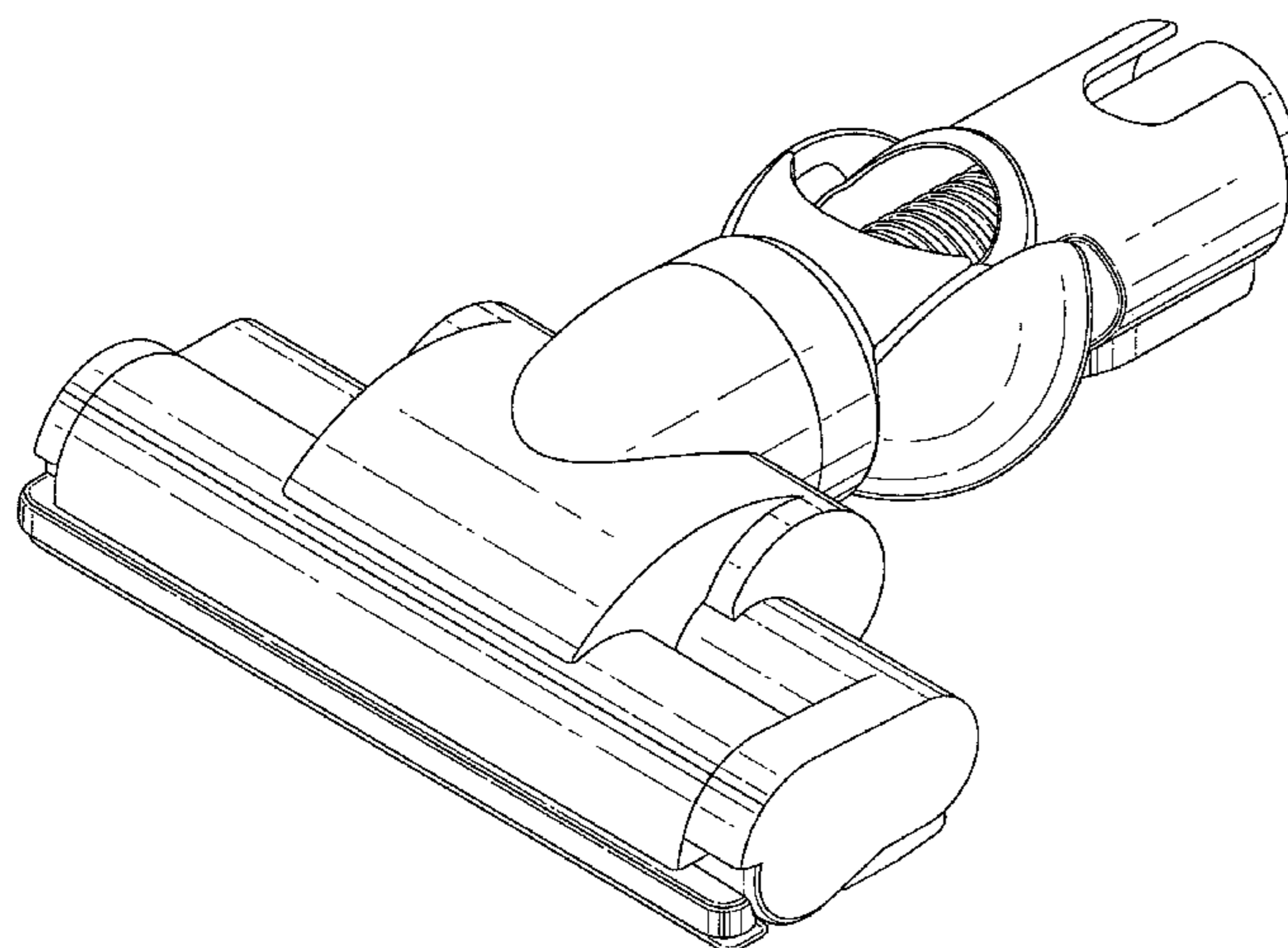
FIG. 4 is a side view thereof;

FIG. 5 is a side view of the opposite side of FIG. 4;

FIG. 6 is a front view thereof; and,

FIG. 7 is a rear view thereof.

**1 Claim, 7 Drawing Sheets**



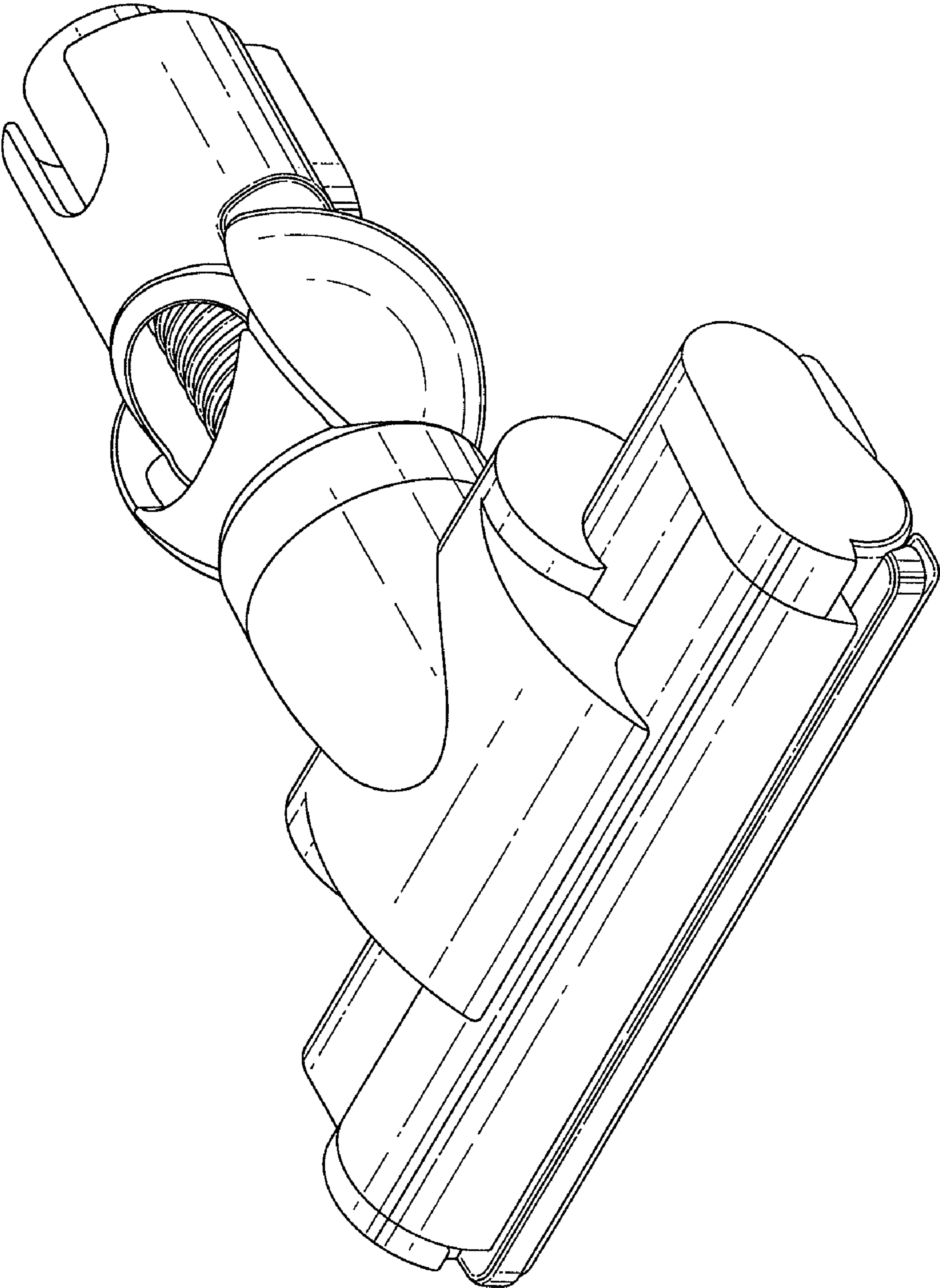


FIG. 1

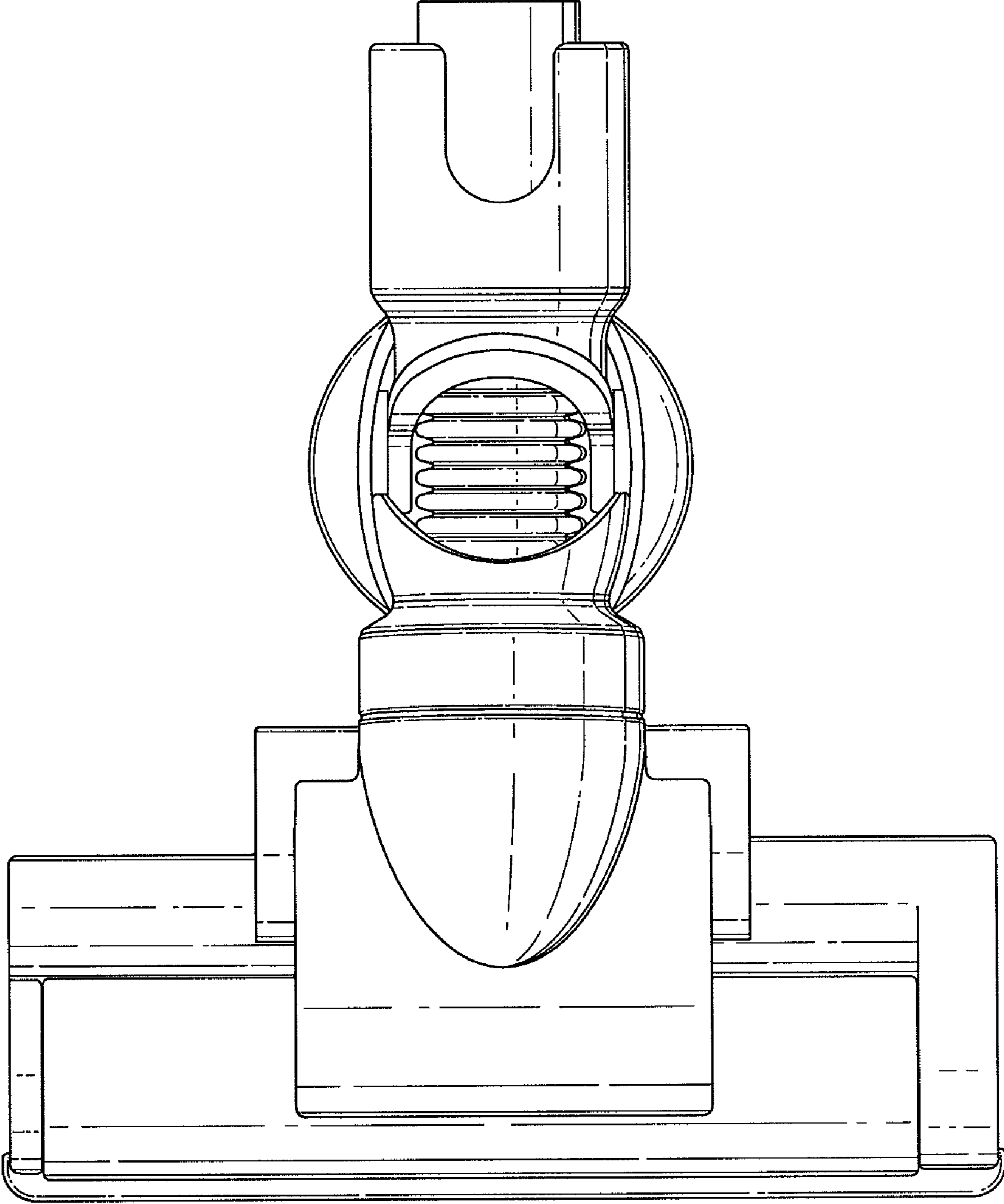


FIG. 2

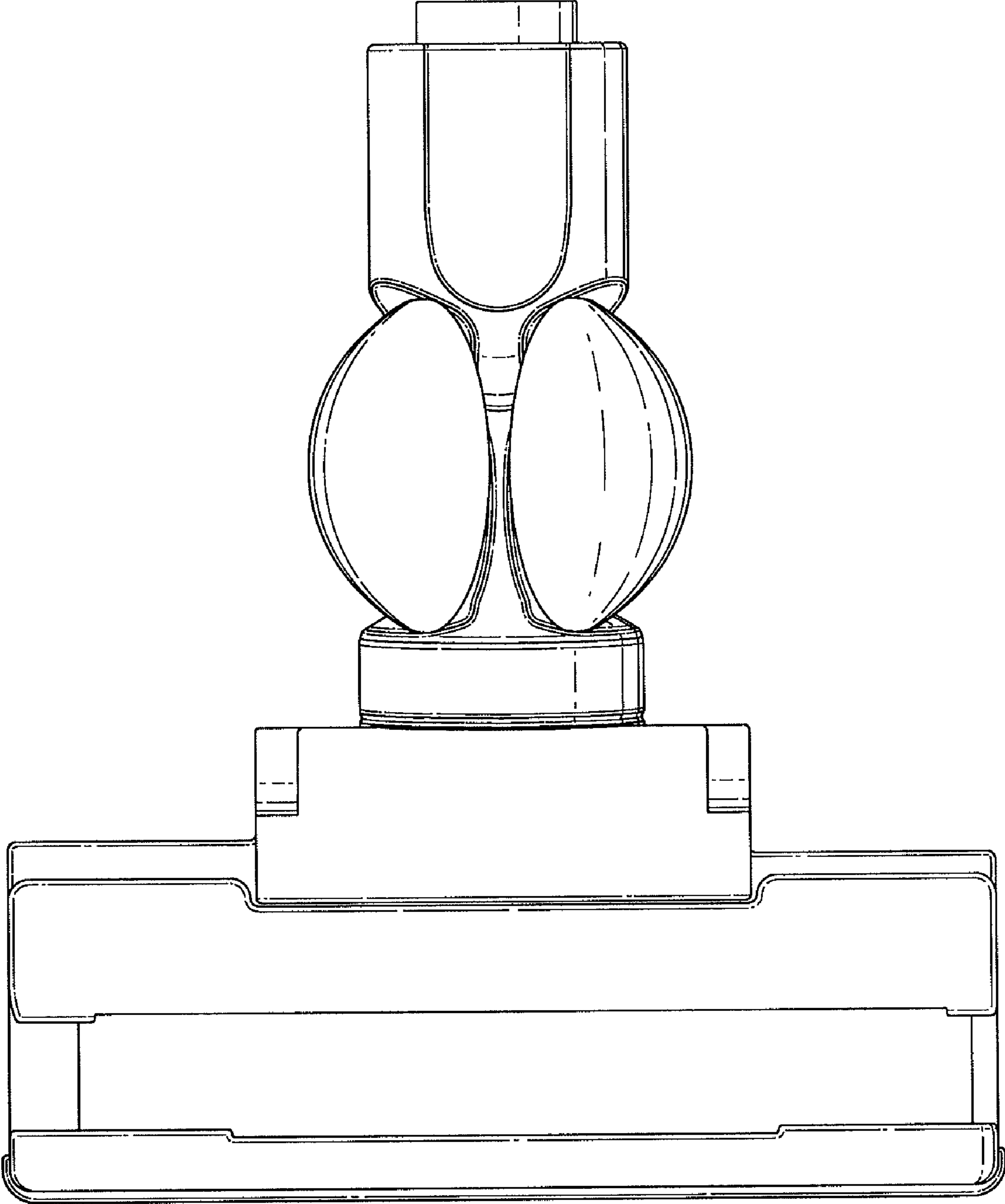


FIG. 3

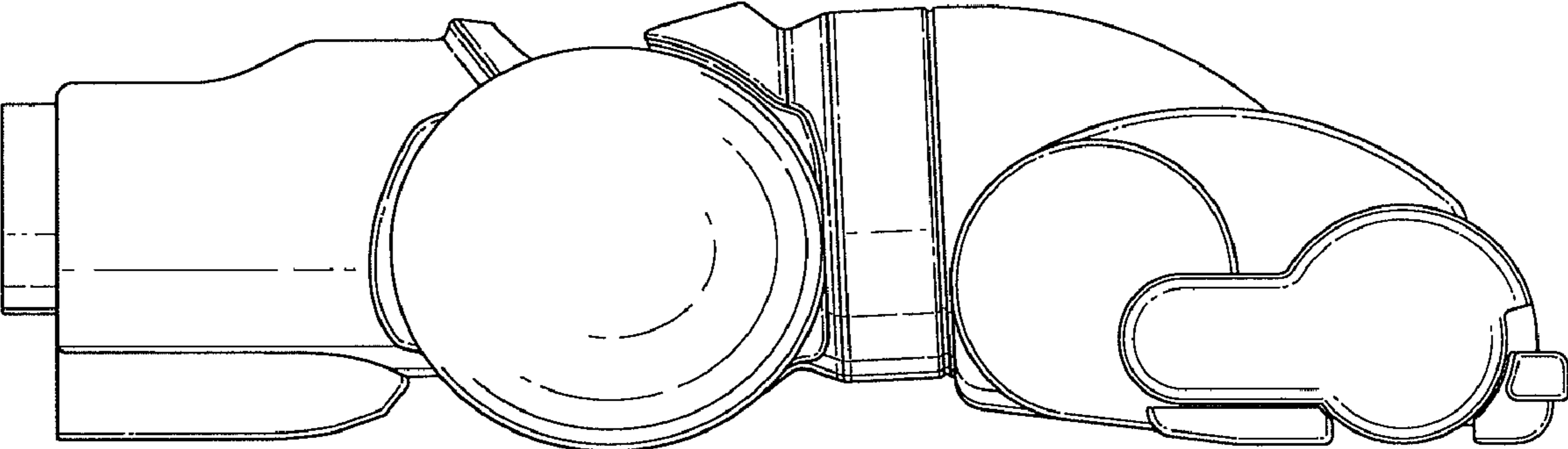


FIG. 4

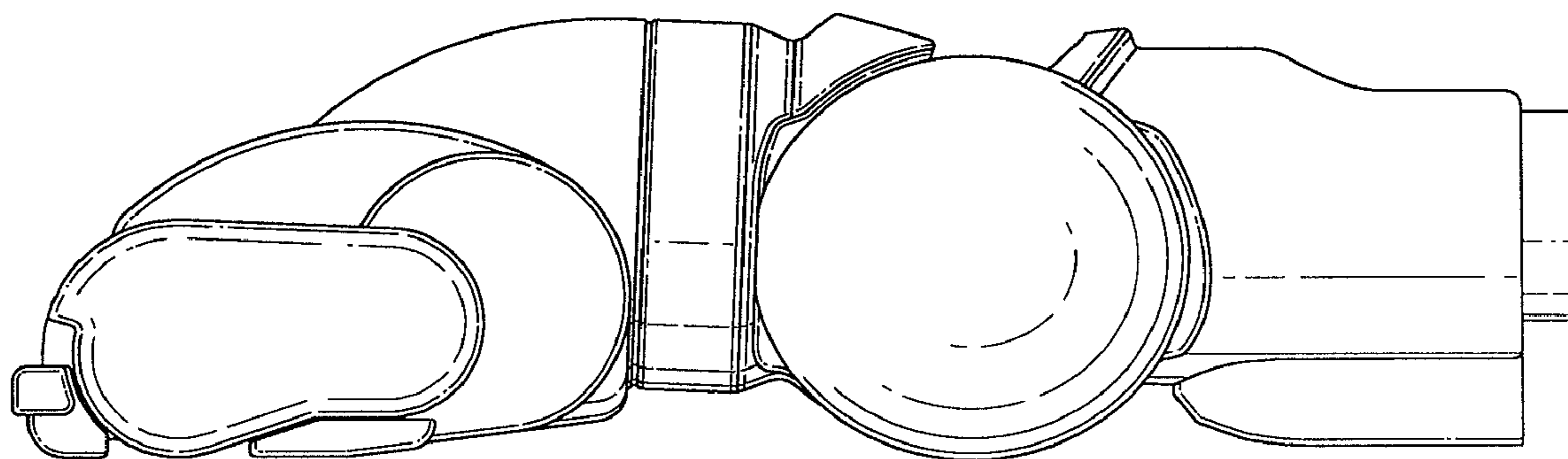


FIG. 5

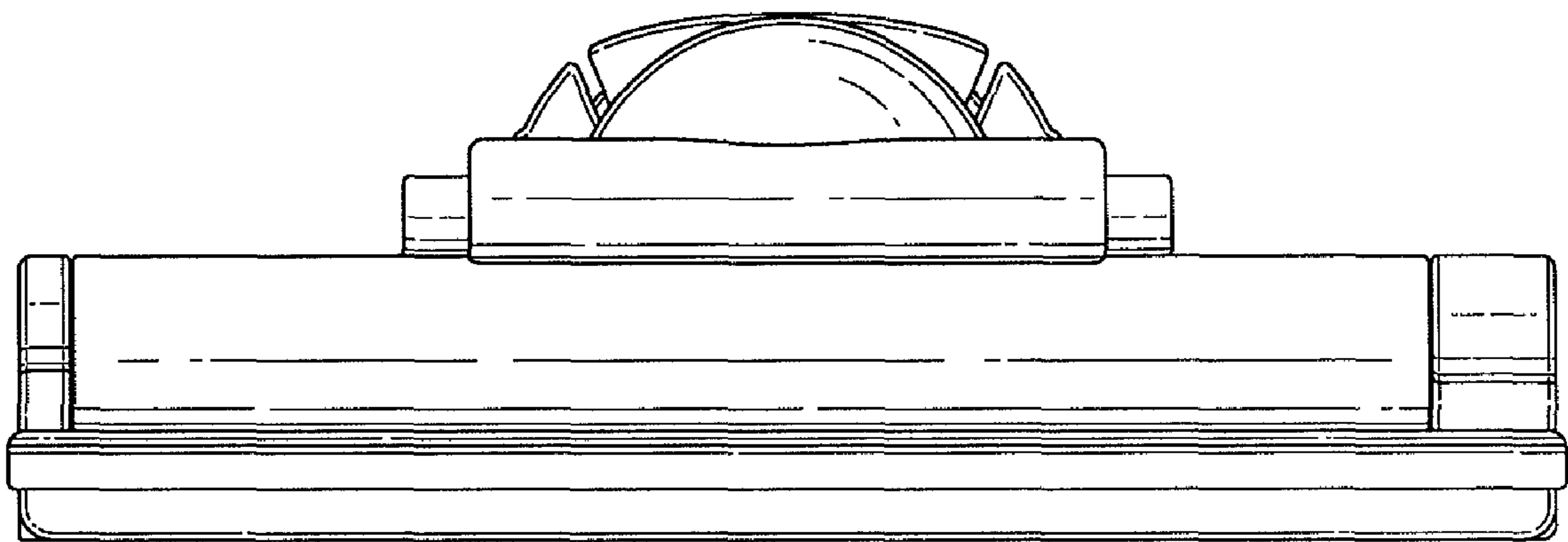


FIG. 6

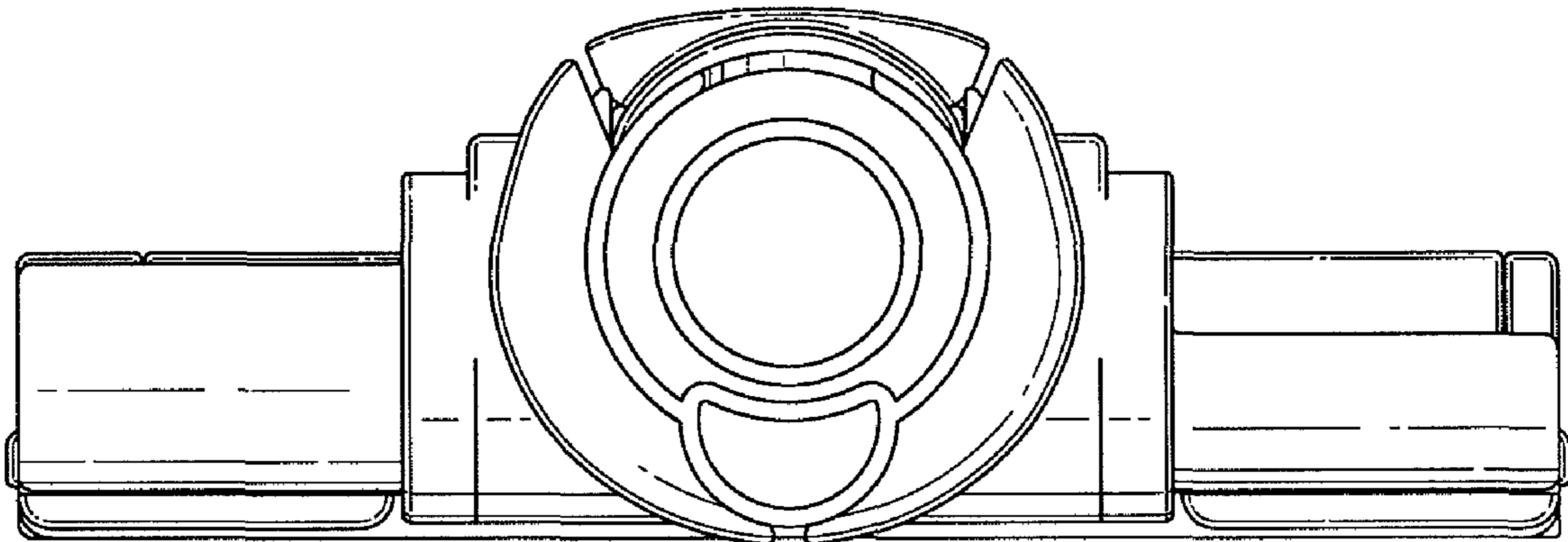


FIG. 7