



US00D616157S

(12) **United States Design Patent**
Iranyi

(10) **Patent No.:** **US D616,157 S**
(45) **Date of Patent:** **** May 18, 2010**

(54) **CAGE FOR ANIMALS**

(75) Inventor: **Daniel Iranyi**, Zurich (CH)

(73) Assignee: **Bruggli Produktion & Dienstleistung**,
Romanshorn (CH)

(**) Term: **14 Years**

(21) Appl. No.: **29/248,821**

(22) Filed: **Sep. 6, 2006**

(30) **Foreign Application Priority Data**

Mar. 6, 2006 (DE) 4 06 01 346

(51) **LOC (9) Cl.** **30-02**

(52) **U.S. Cl.** **D30/108; D30/112**

(58) **Field of Classification Search** D30/108–118,
D30/161; 119/28.5, 161, 163–169, 416,
119/452–453, 446, 473, 482, 485, 499
See application file for complete search history.

(56) **References Cited**

U.S. PATENT DOCUMENTS

693,901	A *	2/1902	Portman	119/427
700,817	A *	5/1902	Porterfield	119/497
1,550,829	A *	8/1925	McBride	D30/109
2,975,929	A *	3/1961	Sjoblom	220/4.33
D193,769	S *	10/1962	Kerr et al.	D30/109
3,487,814	A *	1/1970	Ingebritsen	119/497
3,662,712	A *	5/1972	Singer	119/453
4,256,056	A *	3/1981	Sou	119/497
D282,880	S *	3/1986	Barati	D30/114
5,233,939	A *	8/1993	Randolph	119/473
5,701,705	A *	12/1997	Davis et al.	52/68
D397,082	S *	8/1998	Kunkel	D12/406
D399,610	S *	10/1998	Ohadi	D30/114
6,499,434	B1 *	12/2002	Tyler	119/453
6,997,138	B1 *	2/2006	Simpson	119/499

(Continued)

Primary Examiner—T. Chase Nelson
Assistant Examiner—Michael A Pratt

(74) *Attorney, Agent, or Firm*—Caesar, Rivise, Bernstein,
Cohen & Pokotilow, Ltd.

(57) **CLAIM**

The ornamental design for a cage for animals, as shown and described.

DESCRIPTION

FIG. 1 is a right front perspective view of a first embodiment of a cage for animals in accordance with the invention;

FIG. 2 is a left front perspective view of the embodiment of FIG. 1;

FIG. 3 is a left side perspective view of the embodiment of FIG. 1;

FIG. 4 is a left rear perspective view of the embodiment of FIG. 1;

FIG. 5 is a lower left front perspective view of the embodiment of FIG. 1;

FIG. 6 is a right front perspective view of a second embodiment of a cage for animals, in accordance with the invention;

FIG. 7 is a left front perspective view of the embodiment of FIG. 6;

FIG. 8 is a left side perspective view of the embodiment of FIG. 6;

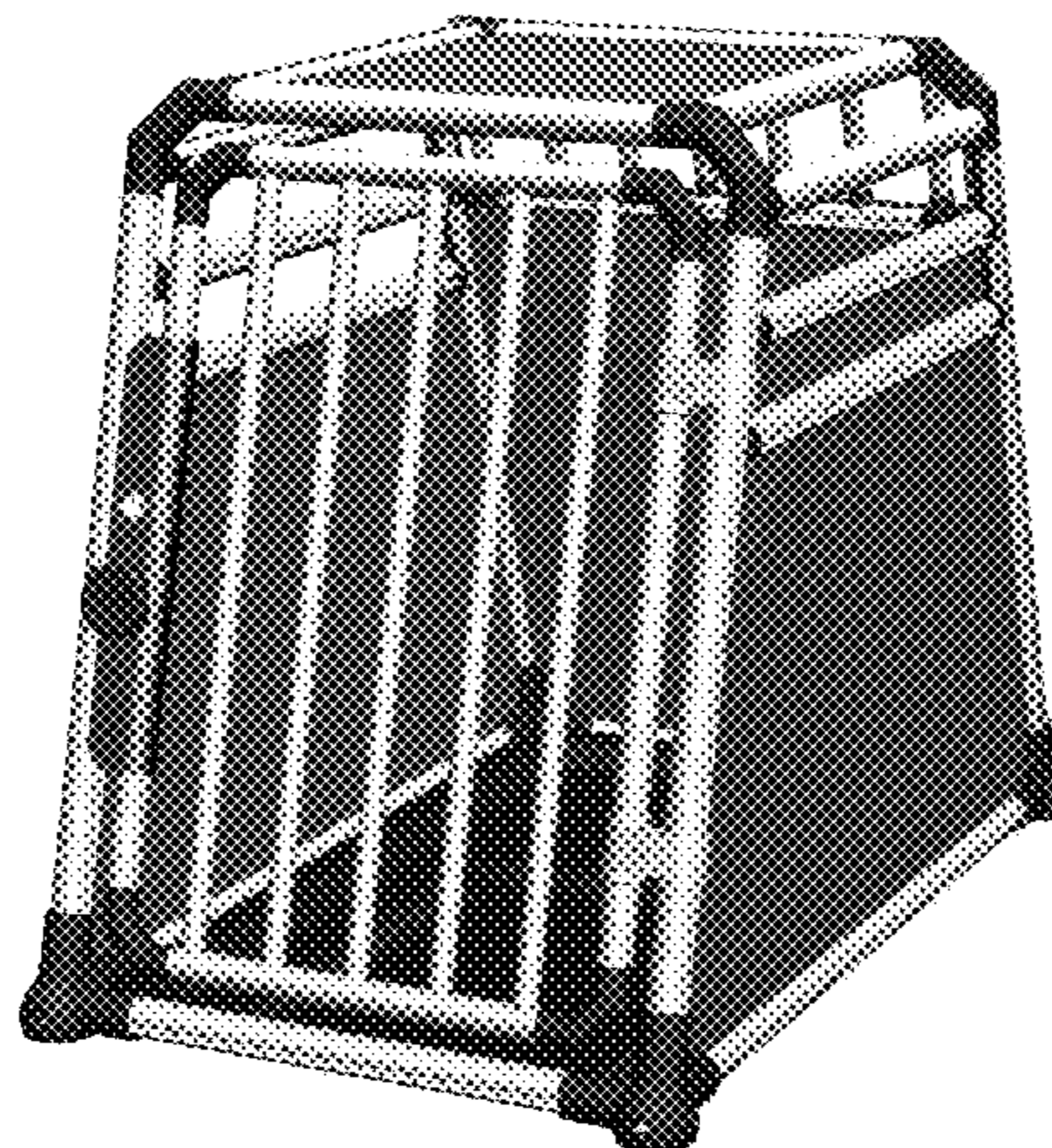
FIG. 9 is a left rear perspective view of the embodiment of FIG. 6;

FIG. 10 is a lower left front perspective view of the embodiment of FIG. 6;

FIG. 11 is a right front perspective view of a third embodiment of a cage for animals, in accordance with the invention; and,

FIG. 12 is a right front perspective view of a fourth embodiment of a cage for animals, in accordance with the invention.

1 Claim, 12 Drawing Sheets



US D616,157 S

Page 2

U.S. PATENT DOCUMENTS

2001/0027276	A1 *	10/2001	Labrecque et al.	600/551	2007/0251463	A1 *	11/2007	Lu	119/452
2004/0134444	A1 *	7/2004	Shiever et al.	119/496	2009/0165730	A1 *	7/2009	Farmer et al.	119/453
2005/0132973	A1 *	6/2005	Axelrod	119/496					

* cited by examiner



FIG. 1

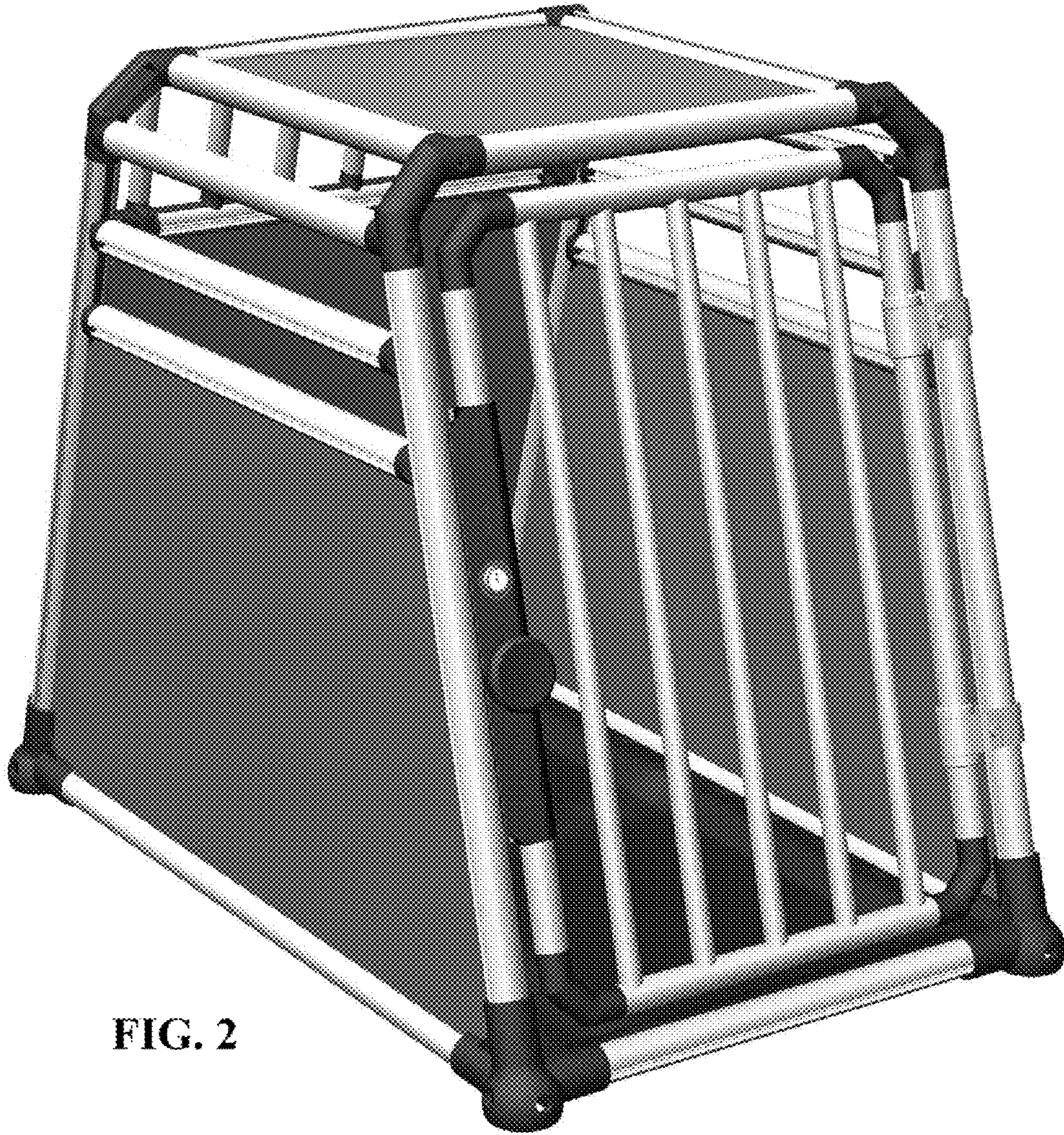


FIG. 2

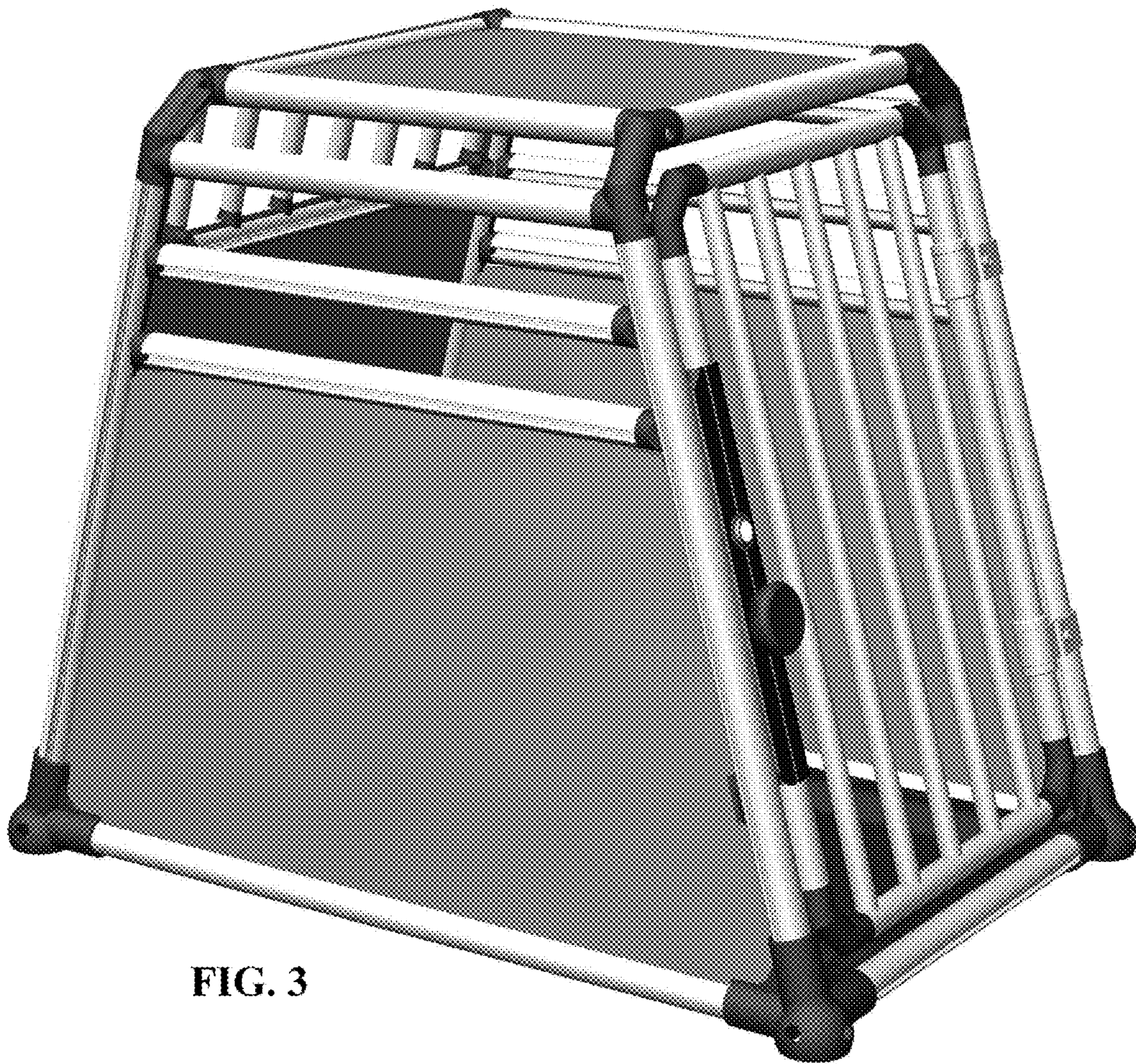


FIG. 3

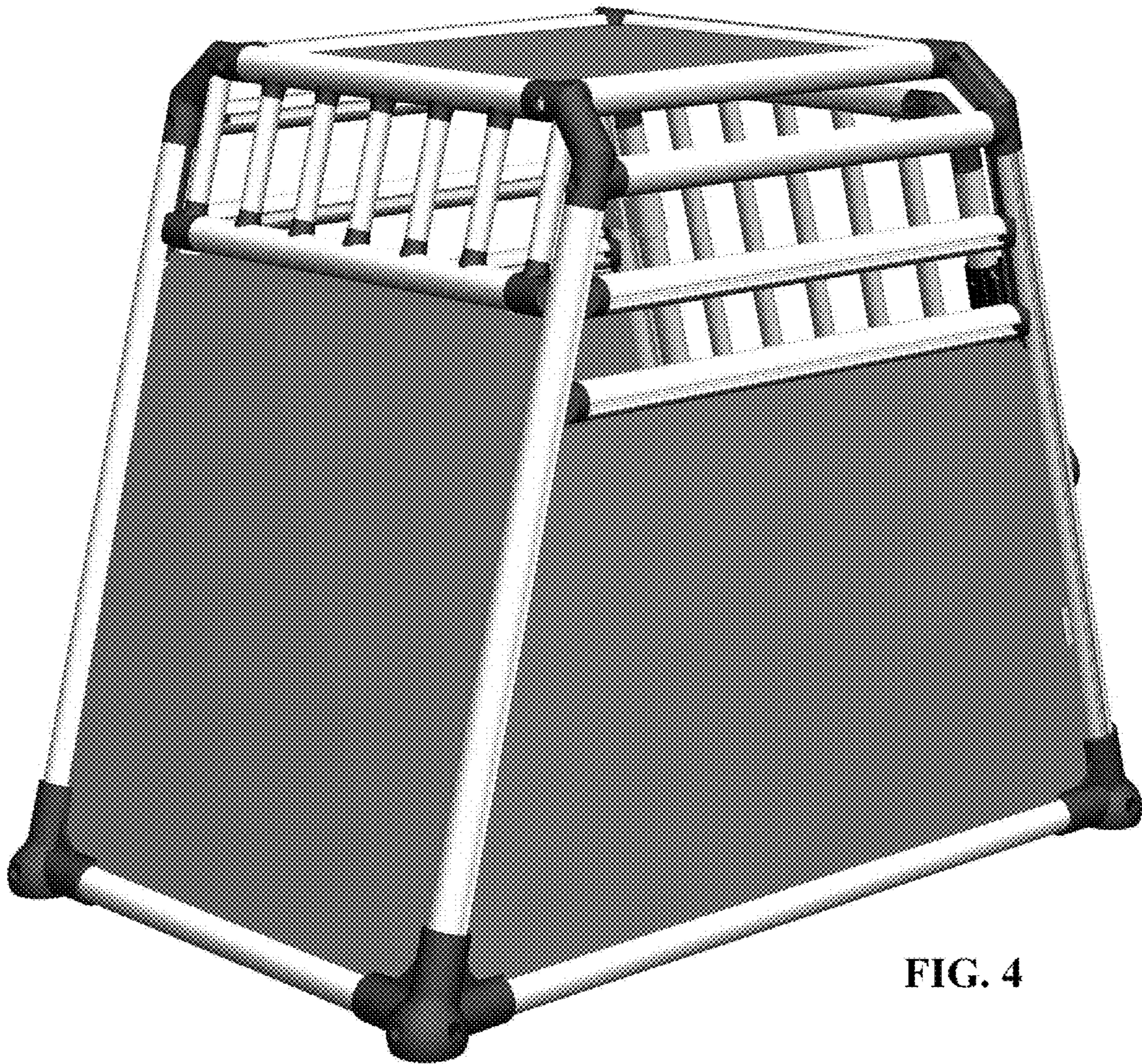


FIG. 4



FIG. 5



FIG. 6

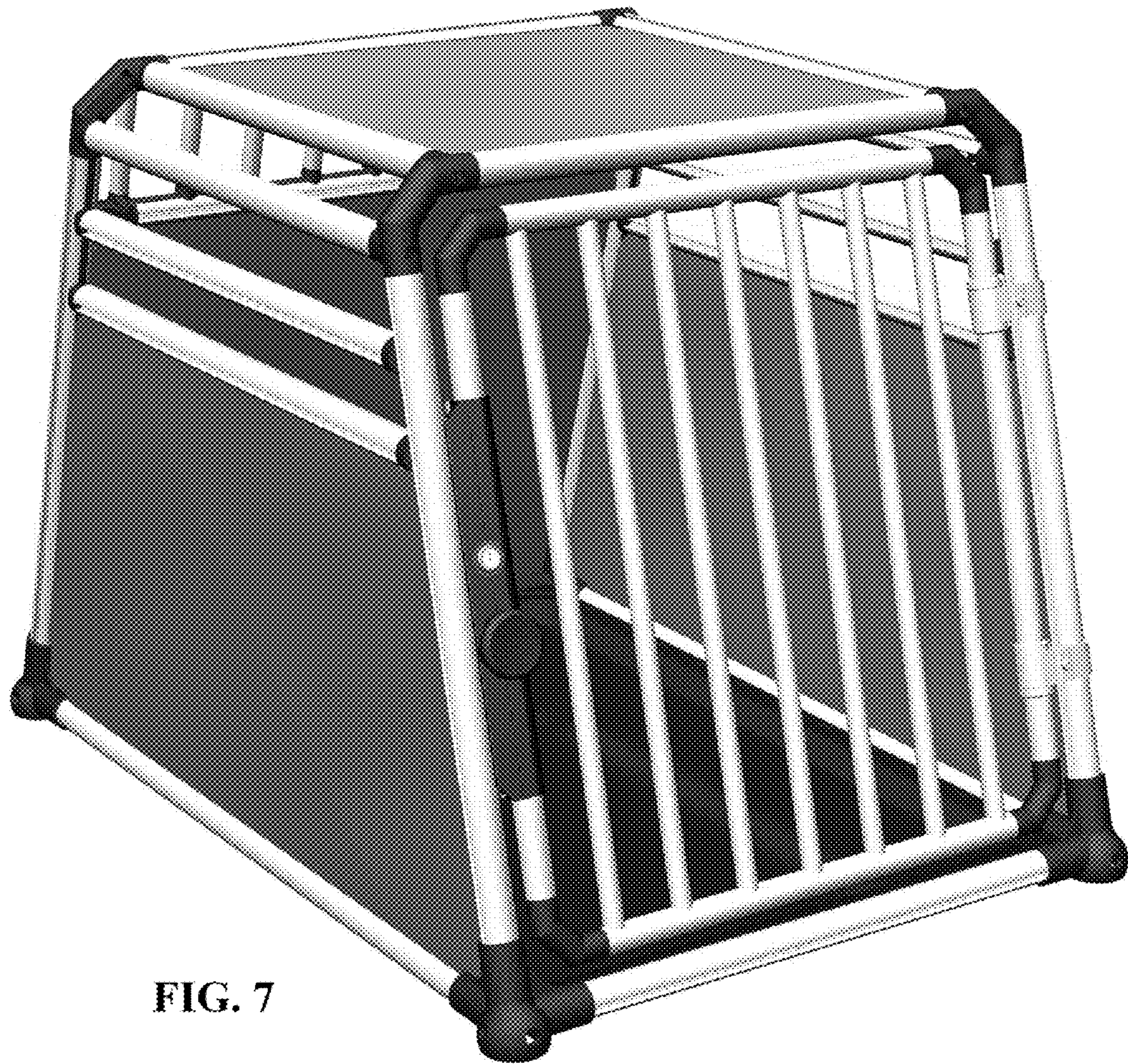


FIG. 7

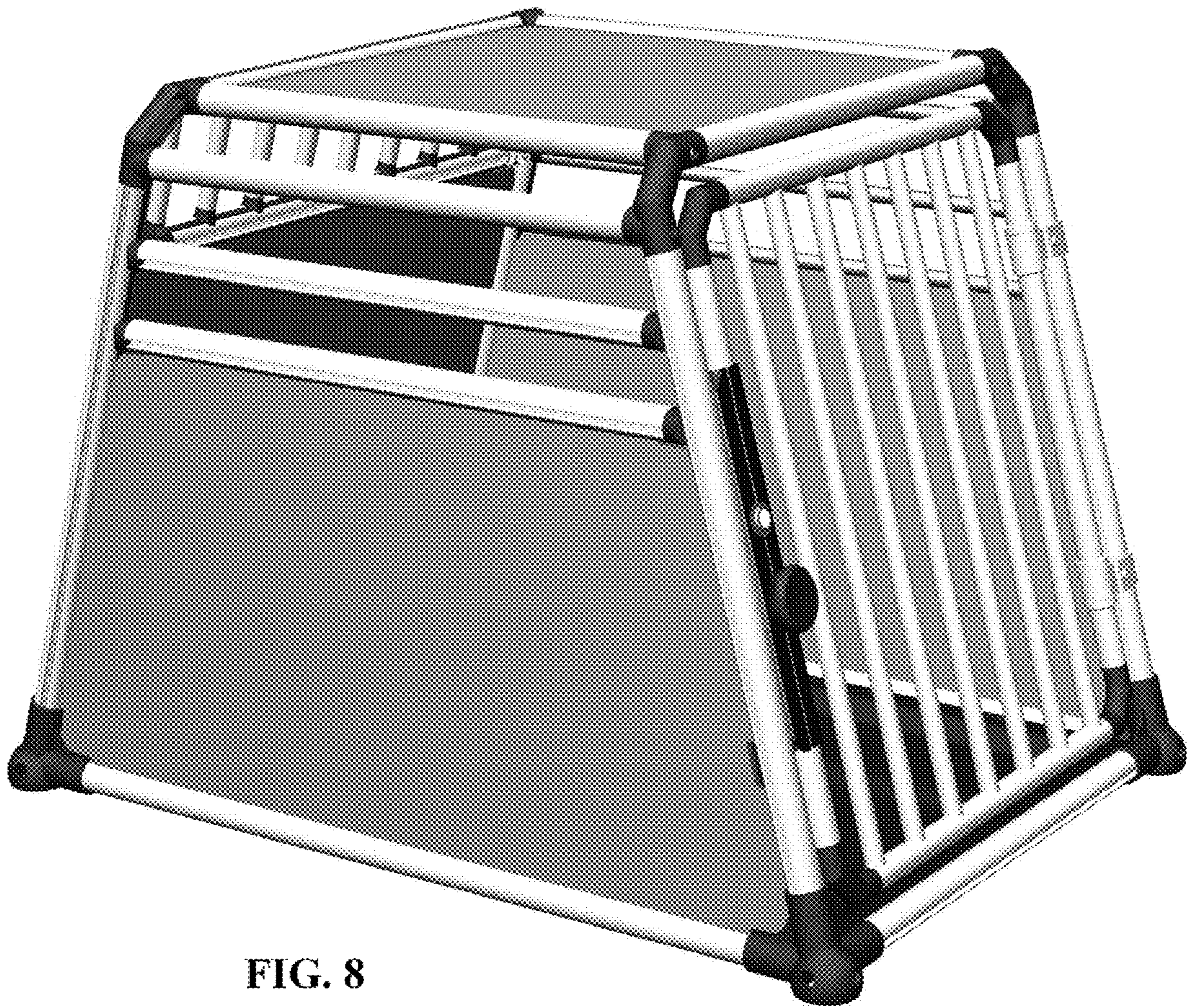


FIG. 8

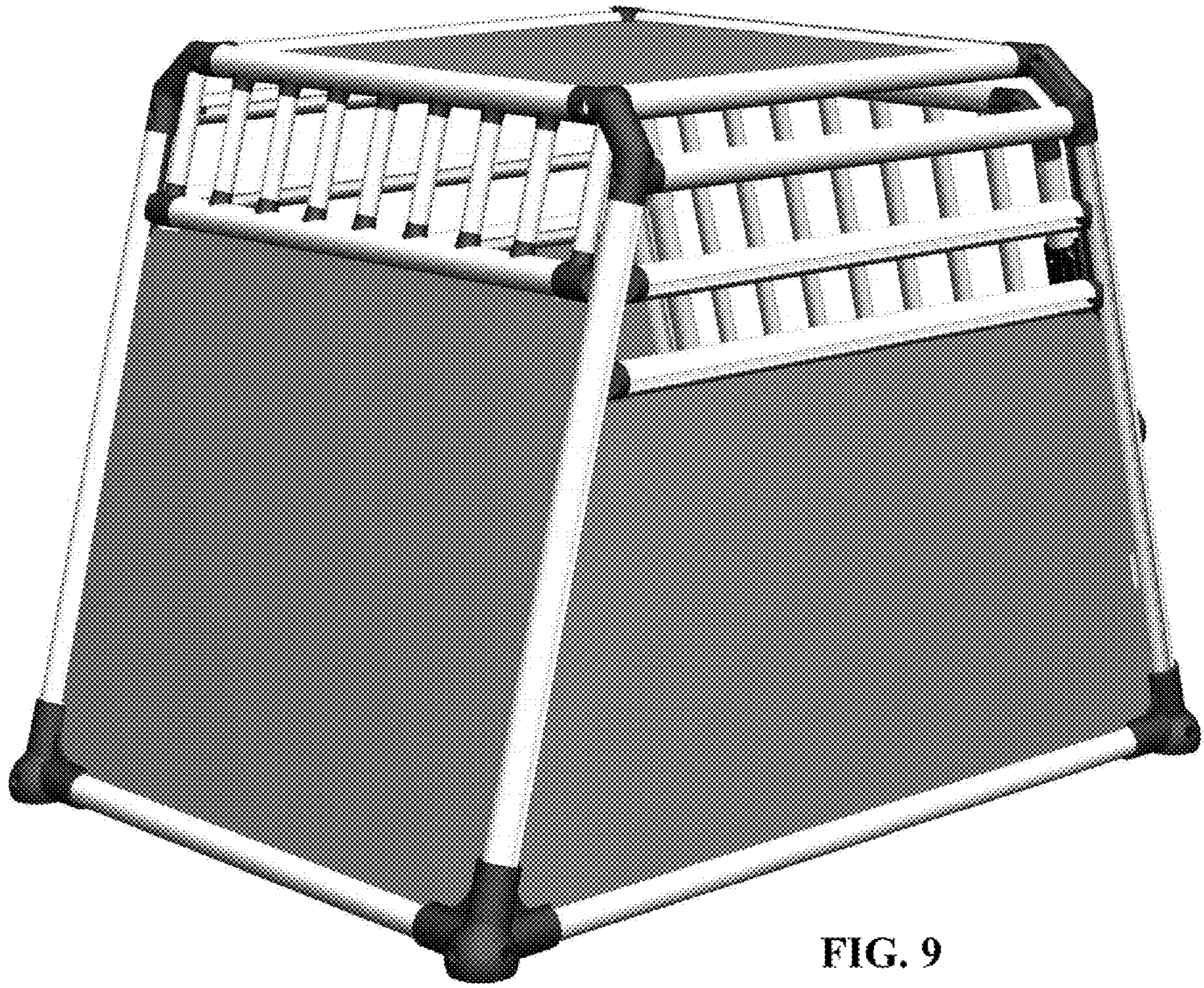


FIG. 9



FIG. 10

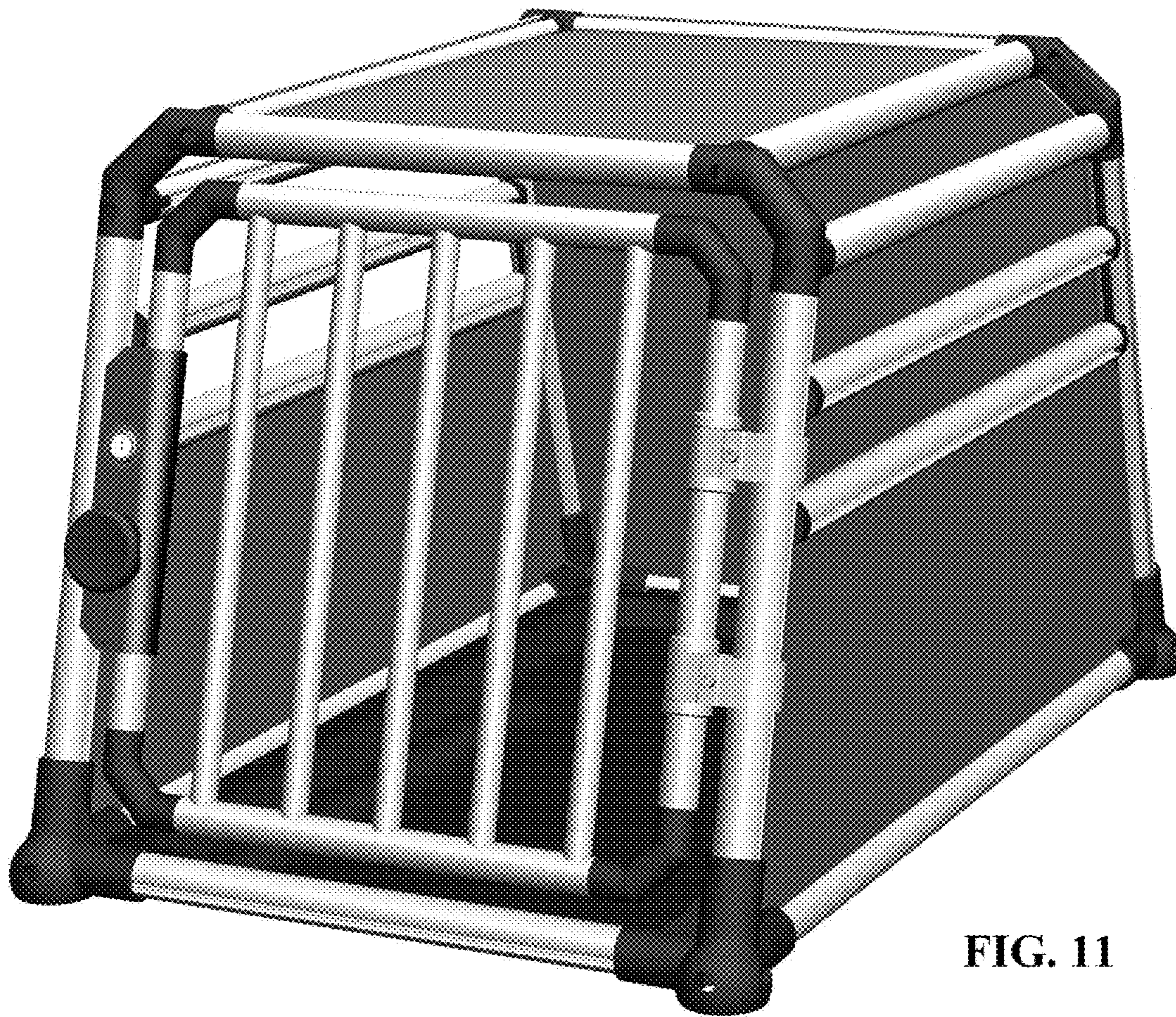


FIG. 11



FIG. 12