



US00D616154S

(12) **United States Design Patent**
Daniel

(10) **Patent No.:** **US D616,154 S**
(45) **Date of Patent:** **** May 18, 2010**

(54) **NOISE SHIELD WITH A DETACHABLE ELEMENT**

Primary Examiner—Lisa P Lichtenstein
(74) *Attorney, Agent, or Firm*—Carol N. Green, Esq.

(75) Inventor: **Isaac Sayo Daniel**, Miami, FL (US)

(57) **CLAIM**

(73) Assignee: **The F3M3 Companies, Inc.**, Miramar, FL (US)

The ornamental design for a noise shield with a detachable element, as shown and described.

(**) Term: **14 Years**

(21) Appl. No.: **29/316,699**

(22) Filed: **Oct. 22, 2009**

(51) **LOC (9) Cl.** **29-02**

(52) **U.S. Cl.** **D29/122**

(58) **Field of Classification Search** D29/122,
D29/102–107; 2/411–414, 425, 423, 424,
2/418, 422

See application file for complete search history.

(56) **References Cited**

U.S. PATENT DOCUMENTS

4,229,836	A *	10/1980	Stinger	2/422
4,354,285	A *	10/1982	Rudd	2/424
6,442,766	B1 *	9/2002	Arai	2/422

* cited by examiner

DESCRIPTION

FIG. 1 is a front perspective view of the invention.

FIG. 2 is a front perspective view of the invention.

FIG. 3 is a left side elevational view of the invention.

FIG. 4 is a front right plan view of the invention.

FIG. 5 is a right side elevational view of the invention.

FIG. 6 is a back plan view of the invention.

FIG. 7 is a top elevational view of the invention.

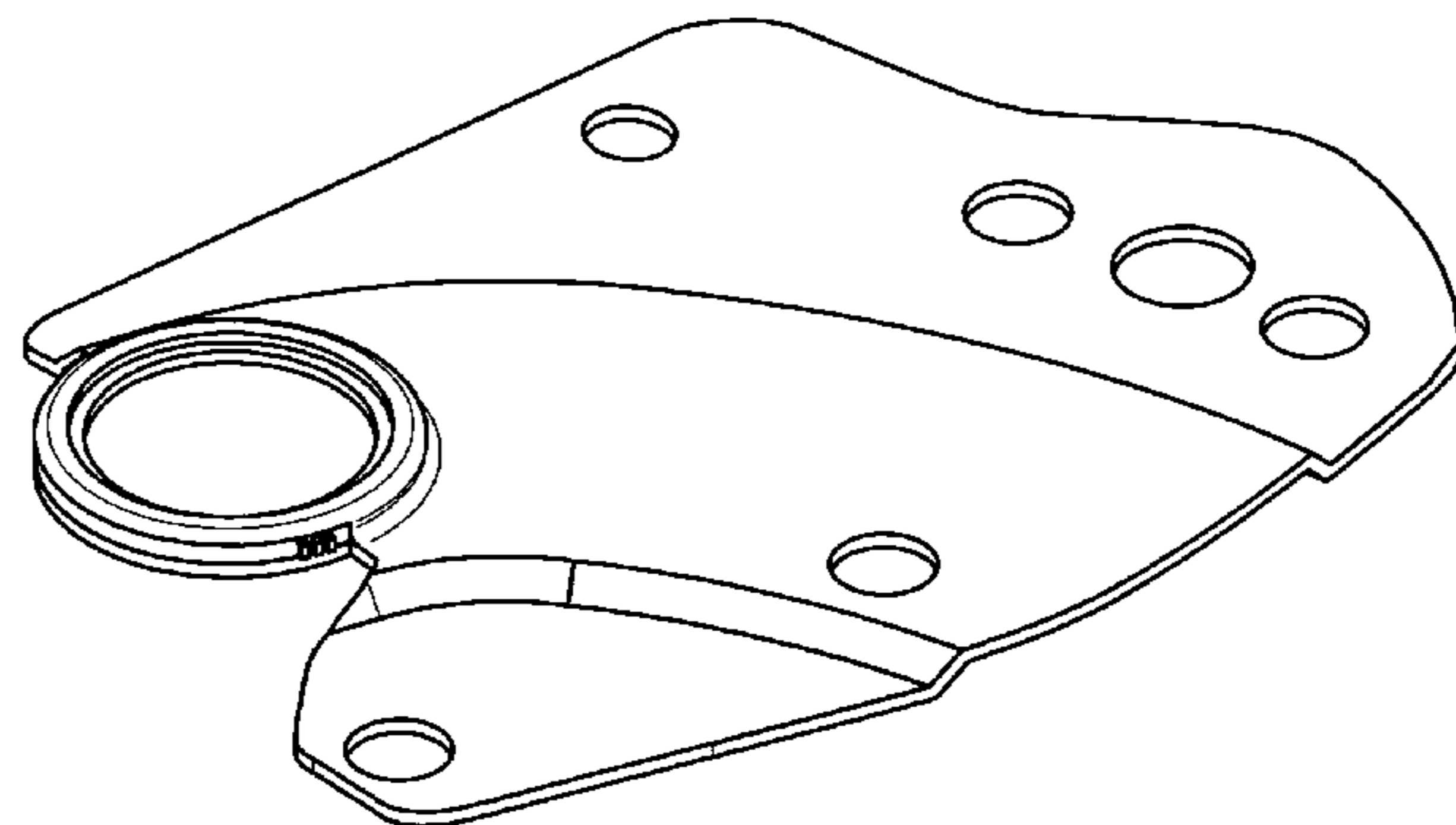
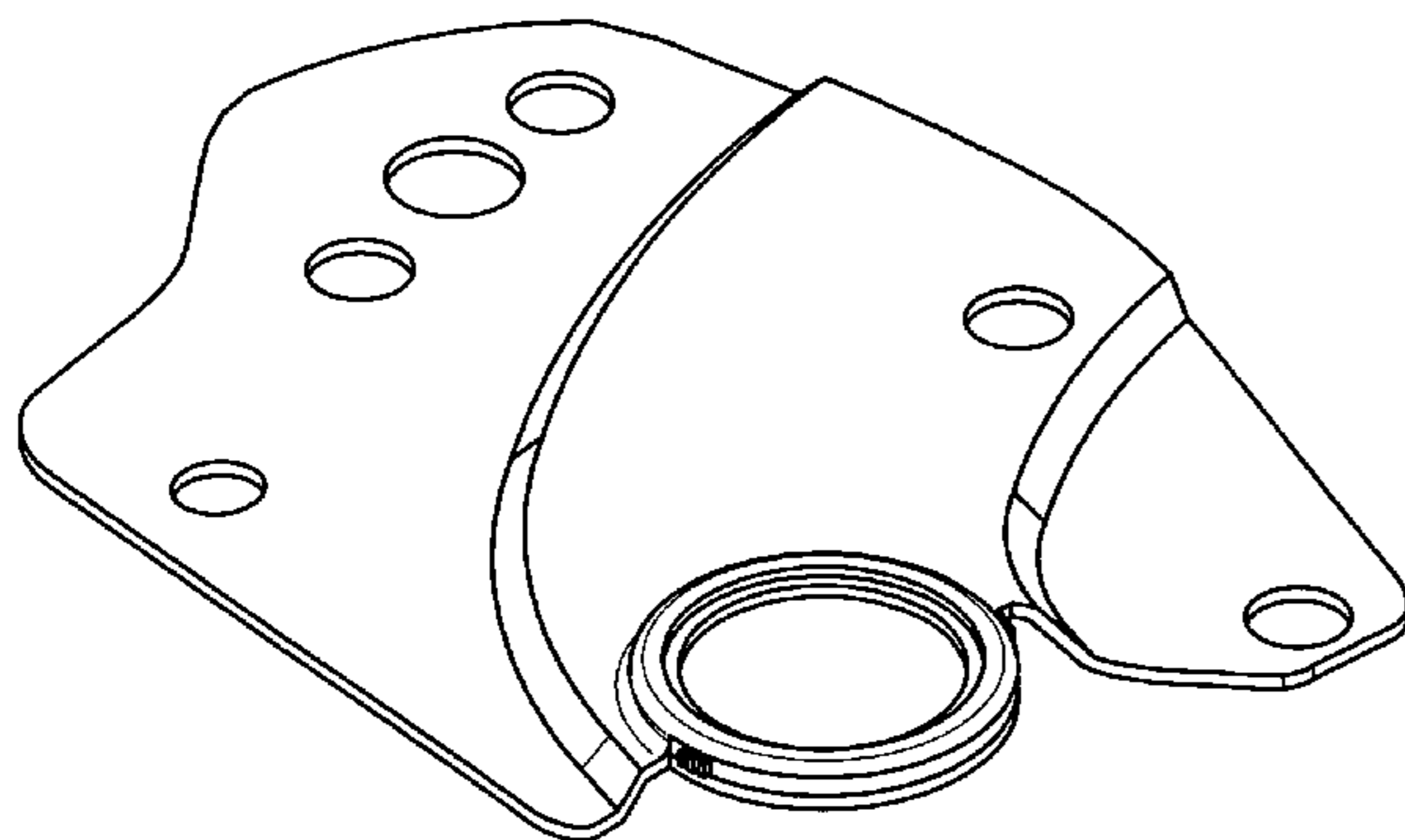
FIG. 8 is a bottom elevational view of the invention.

FIG. 9 is a perspective view of the invention with the detachable element in the detached position; and,

FIG. 10 is a front plan view of the invention as assembled to a helmet.

The broken line showing of a detachable element is included for the purpose of illustrating environmental structure and forms no part of the claimed design.

1 Claim, 6 Drawing Sheets



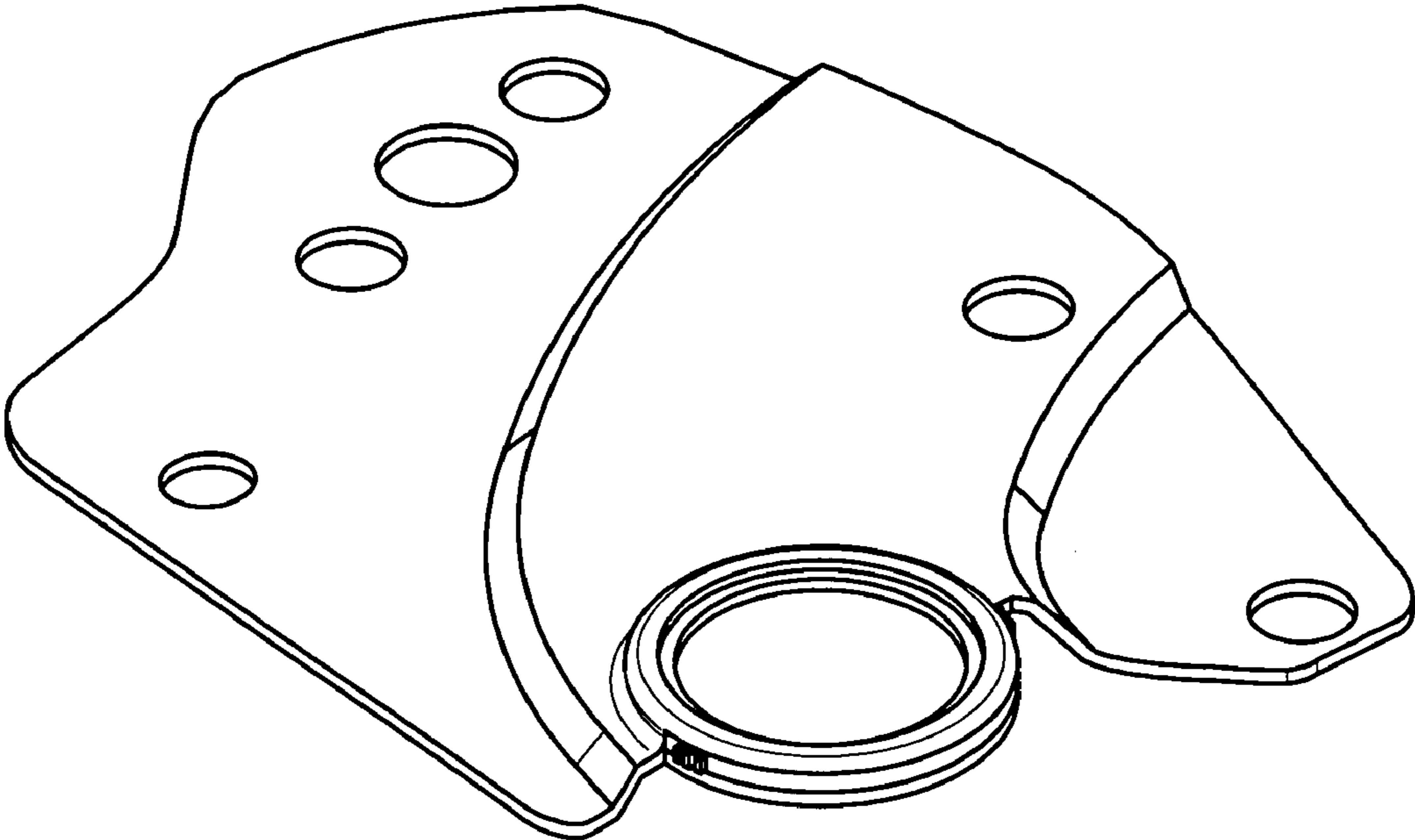


FIG. 1

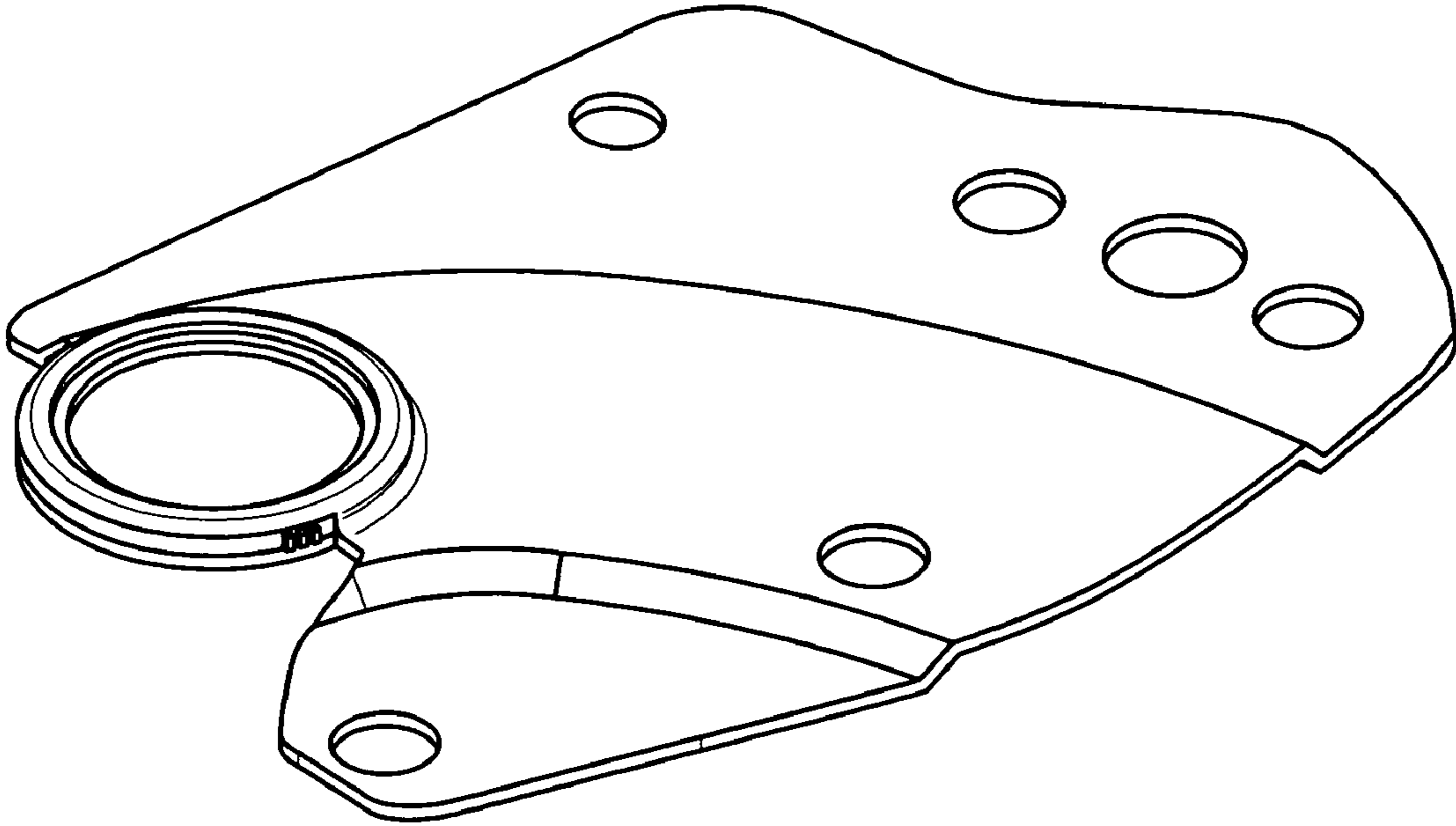


FIG. 2

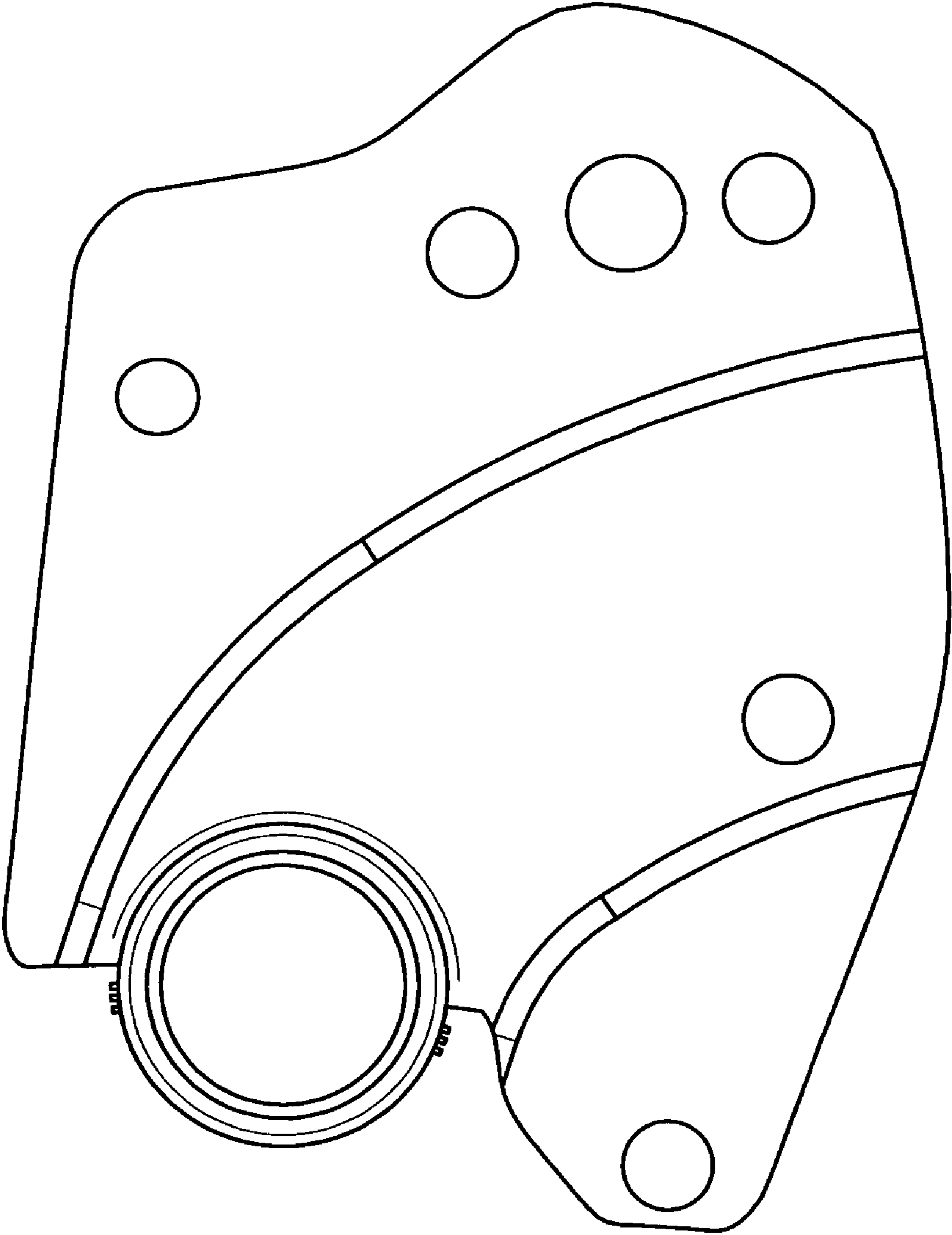


FIG. 4



FIG. 3

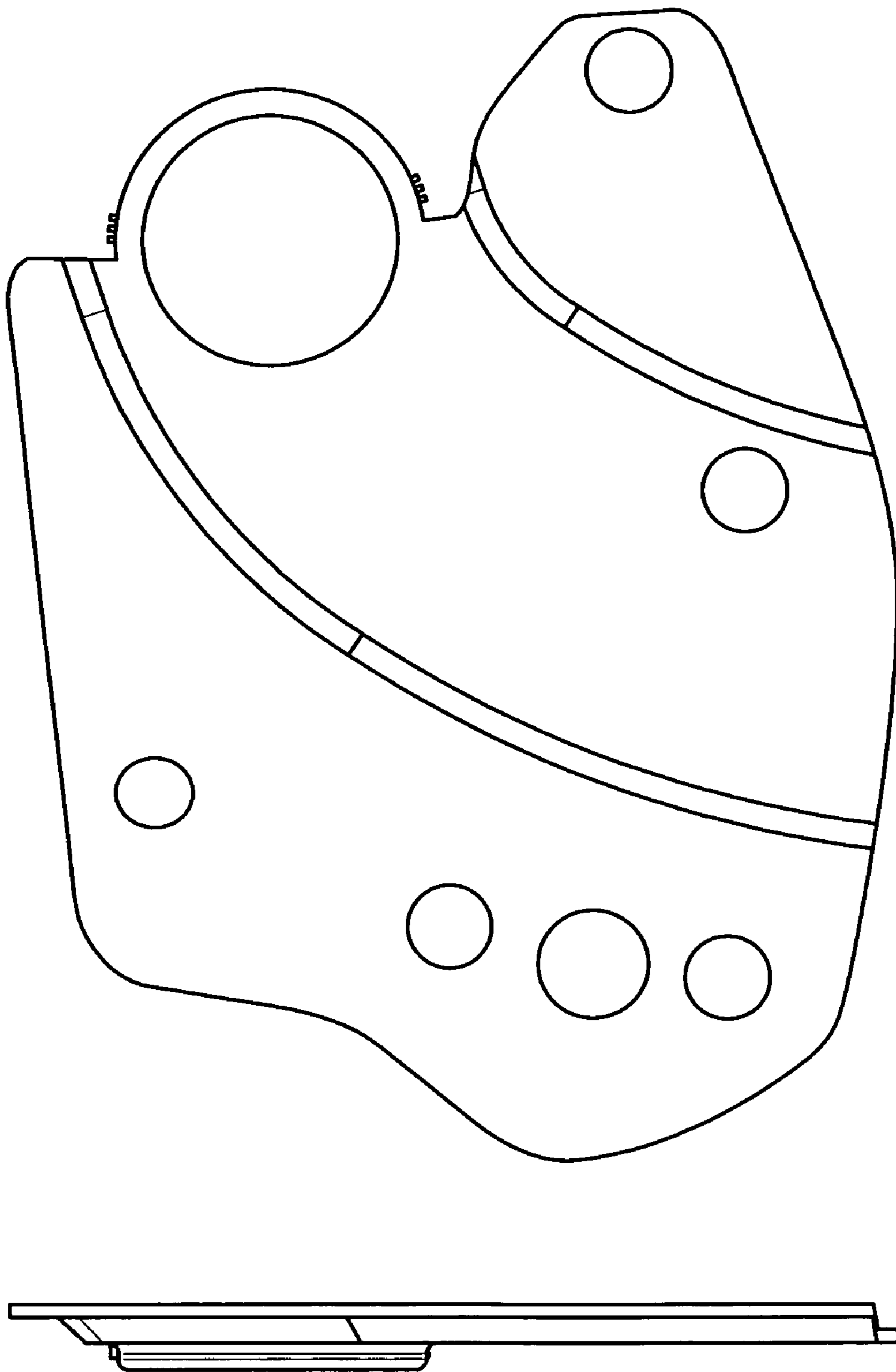


FIG. 6

FIG. 5



FIG. 7



FIG. 8

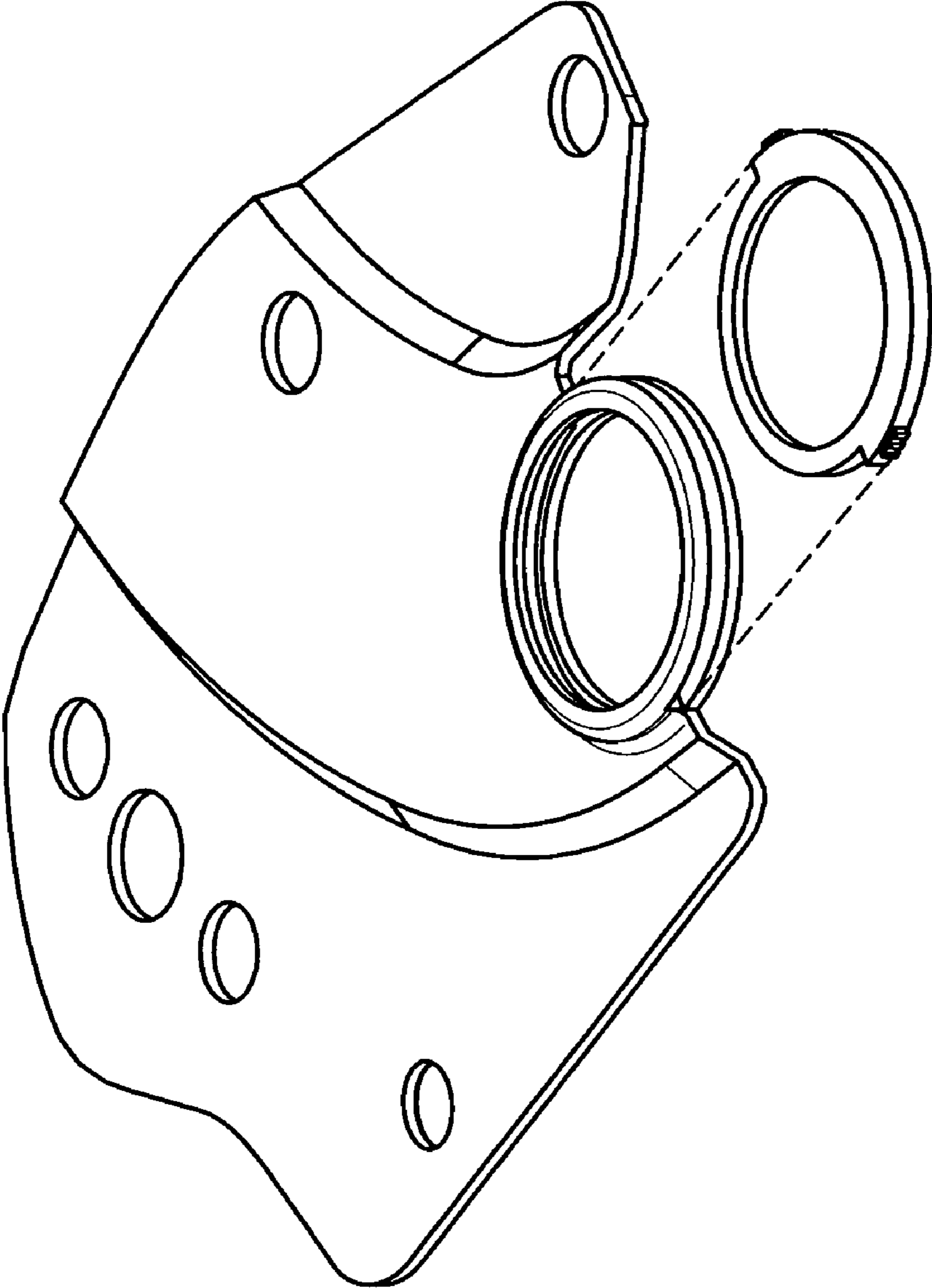


FIG. 9

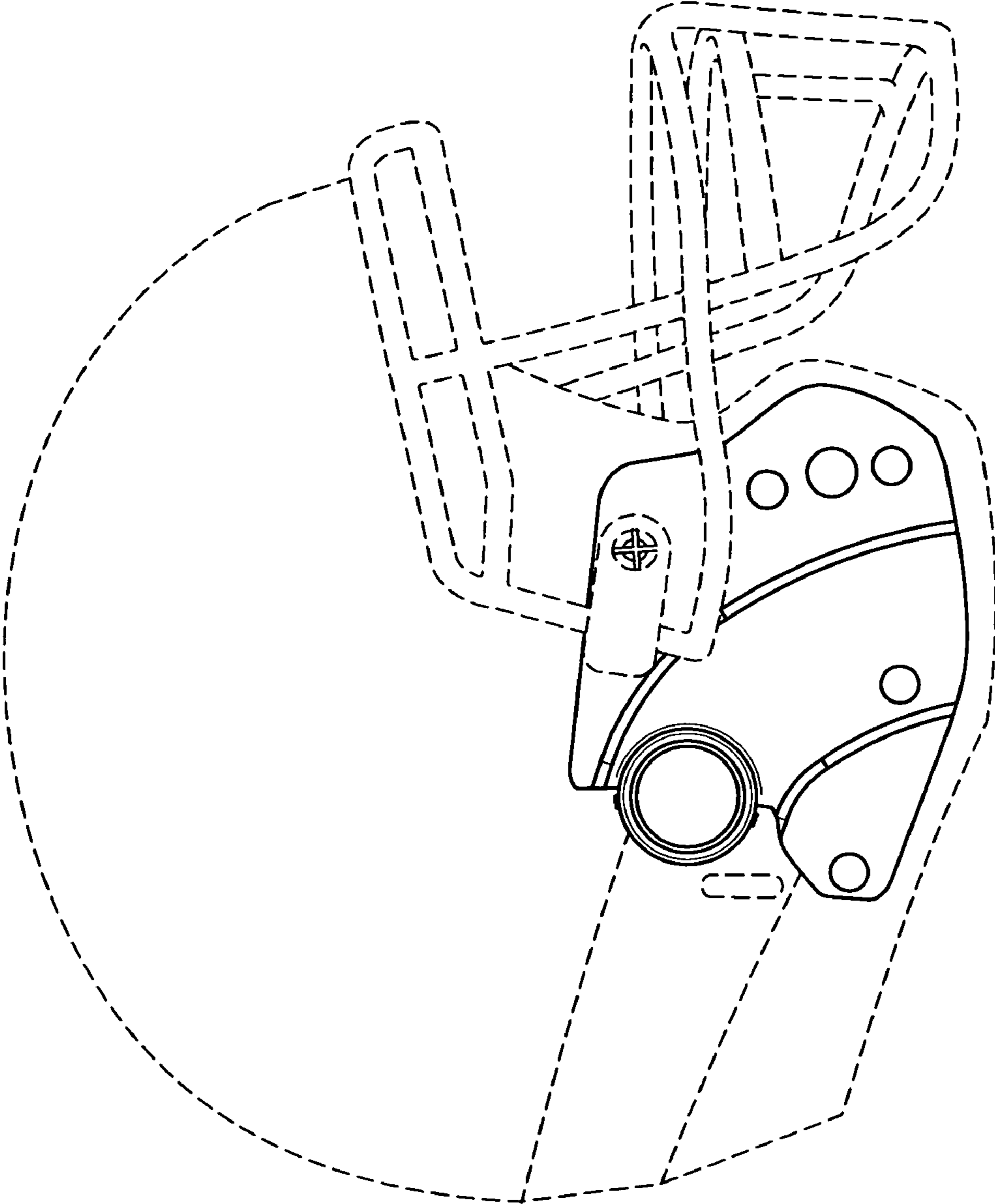


FIG. 10