



US00D616152S

(12) **United States Design Patent**
Manzo

(10) **Patent No.:** **US D616,152 S**
(45) **Date of Patent:** **** May 18, 2010**

- (54) **MOUTHGUARD**
- (75) Inventor: **Joseph S. Manzo**, Lansdale, PA (US)
- (73) Assignee: **Brain-Pad, Inc.**, Conshohocken, PA (US)
- (**) Term: **14 Years**
- (21) Appl. No.: **29/350,955**
- (22) Filed: **Nov. 25, 2009**
- (51) **LOC (9) Cl.** **29-02**
- (52) **U.S. Cl.** **D29/108**
- (58) **Field of Classification Search** D29/108, D29/122, 176, 180-181; 2/445, 9, 424; 128/859, 848, 861, 862; 602/902; 433/6
See application file for complete search history.

- 5,277,202 A 1/1994 Hays
- 5,357,876 A 10/1994 Kniefel
- 5,407,210 A 4/1995 Canning
- 5,462,066 A 10/1995 Snyder
- 5,531,449 A 7/1996 Denton
- 5,580,293 A 12/1996 Sestak
- 5,636,379 A 6/1997 Williams
- D382,965 S 8/1997 Wagner
- 5,833,234 A 11/1998 Vavala
- D406,405 S 3/1999 Yoshida
- D408,919 S 4/1999 Cooley
- 5,967,519 A 10/1999 Cumberland et al.
- D434,501 S 11/2000 Redhage
- D452,011 S 12/2001 Redhage
- 6,491,036 B2 12/2002 Cook
- 6,494,210 B1 12/2002 Mams
- D473,976 S 4/2003 Wilkens
- 6,584,978 B1 7/2003 Brett et al.
- 6,585,610 B2 7/2003 Sompolinsky

(56) **References Cited**

U.S. PATENT DOCUMENTS

- 1,125,194 A 1/1915 Sigmund
- 1,674,336 A 6/1928 King
- 2,521,039 A 9/1950 Carpenter
- 2,590,118 A 3/1952 Oddo, Jr.
- 2,966,908 A 1/1961 Cathcart et al.
- 3,247,844 A 4/1966 Berghash
- 3,312,218 A 4/1967 Jacobs
- 3,346,317 A 10/1967 Peggs
- D212,848 S 12/1968 Westlund
- 3,457,916 A 7/1969 Wolicki
- D215,685 S 10/1969 Helmer
- 3,692,025 A 9/1972 Greenberg
- D228,048 S 8/1973 Miller
- 4,044,762 A 8/1977 Jacobs
- 4,133,531 A 1/1979 Arteaga
- 4,370,129 A 1/1983 Huge
- 4,376,628 A 3/1983 Aardse
- 4,765,324 A 8/1988 Lake, Jr.
- 4,791,941 A 12/1988 Schaefer
- 4,944,947 A 7/1990 Newman
- 4,977,905 A 12/1990 Kittelsen et al.
- 5,092,346 A * 3/1992 Hays et al. 128/848
- 5,117,816 A 6/1992 Shapiro
- 5,165,424 A 11/1992 Silverman

(Continued)

Primary Examiner—Lisa P Lichtenstein
(74) *Attorney, Agent, or Firm*—John F. Letchford; Archer & Greiner, P.C.

(57) **CLAIM**

The ornamental design for a mouthguard, as shown and described.

DESCRIPTION

FIG. 1 is a front perspective view of a mouthguard showing my new design;

FIG. 2 is a rear perspective view thereof;

FIG. 3 is a front elevational view thereof;

FIG. 4 is a rear elevational view thereof;

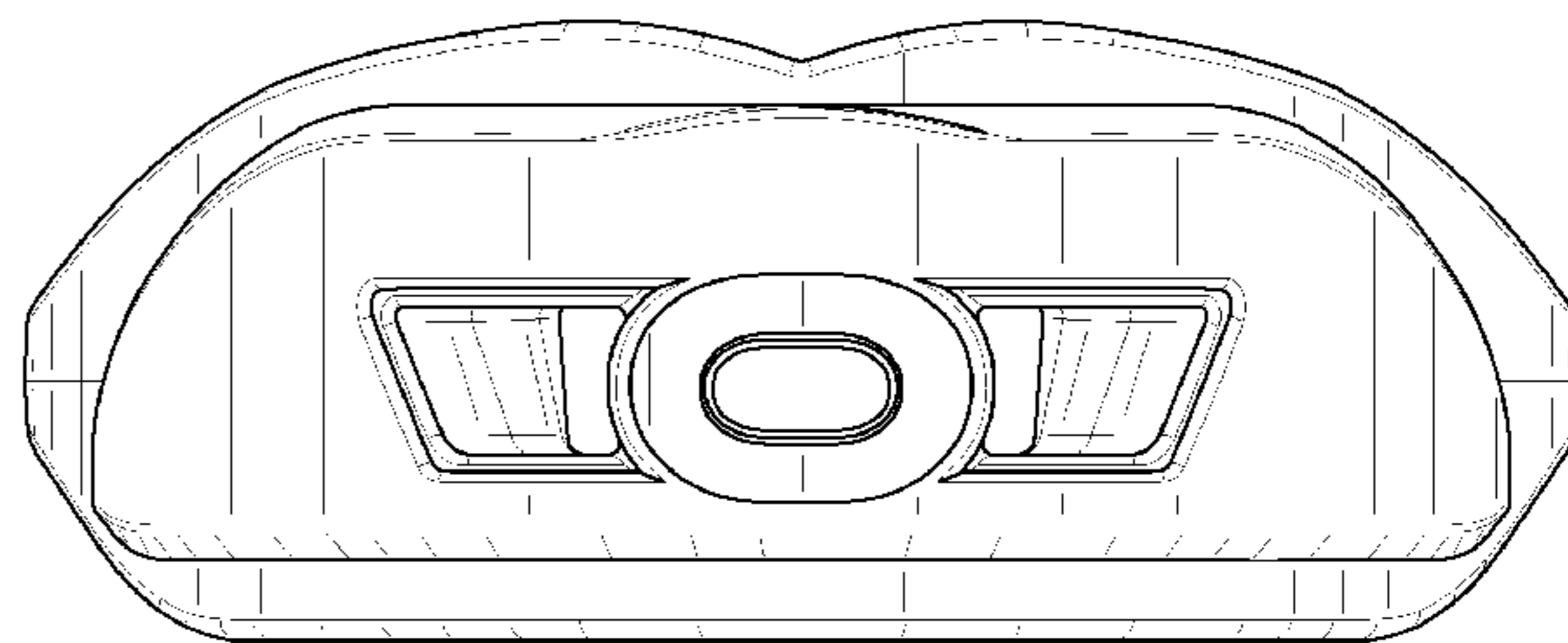
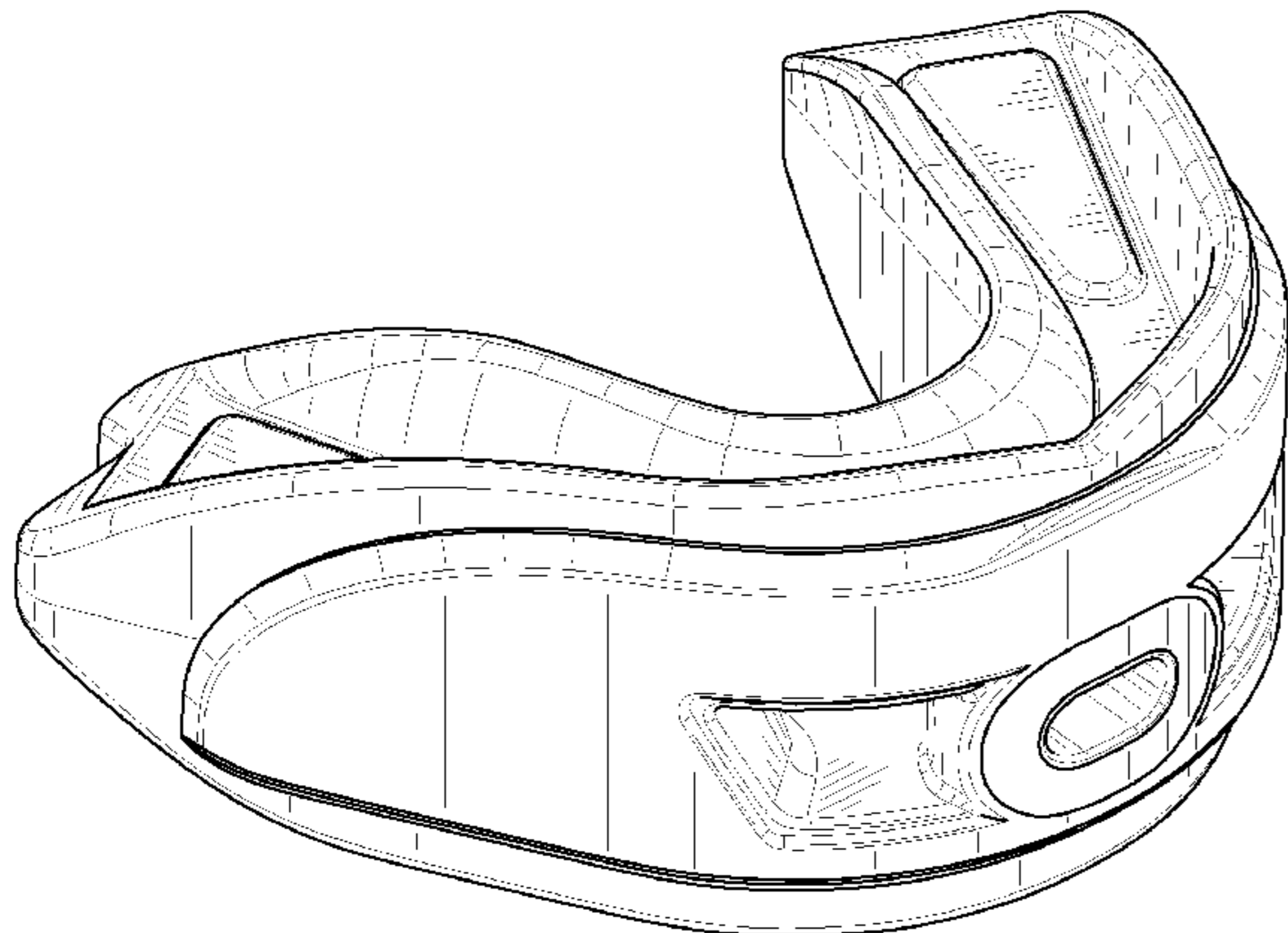
FIG. 5 is a bottom plan view thereof;

FIG. 6 is a top plan view thereof;

FIG. 7 is a right side elevational view thereof; and,

FIG. 8 is a left side elevational view thereof.

1 Claim, 5 Drawing Sheets



US D616,152 S

Page 2

U.S. PATENT DOCUMENTS

D493,578 S	7/2004	Manzo et al.		D526,095 S	8/2006	Manzo et al.	
D495,799 S *	9/2004	Hirsch et al.	D24/152	D527,848 S	9/2006	Manzo et al.	
D500,895 S	1/2005	Manzo et al.		D529,176 S *	9/2006	Moriyama	D24/152
D504,744 S	5/2005	Hidalgo et al.		D530,863 S	10/2006	Manzo et al.	
D509,028 S	8/2005	Farrell		D532,559 S	11/2006	Manzo et al.	
D525,749 S	7/2006	Manzo et al.		D537,986 S	3/2007	Manzo et al.	
D526,093 S	8/2006	Manzo et al.		D537,987 S	3/2007	Manzo et al.	
				D548,403 S	8/2007	Manzo et al.	

* cited by examiner

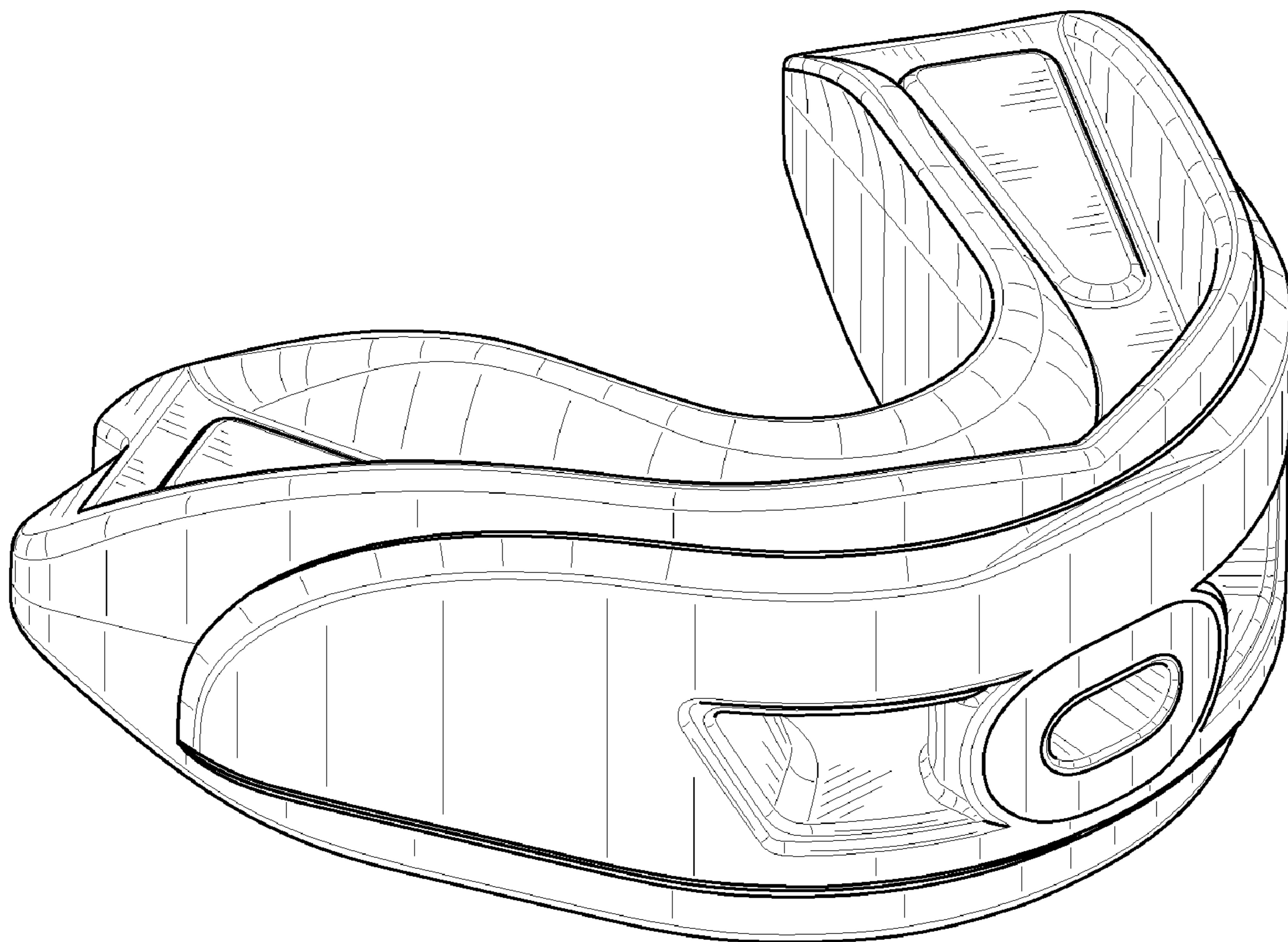


FIG. 1

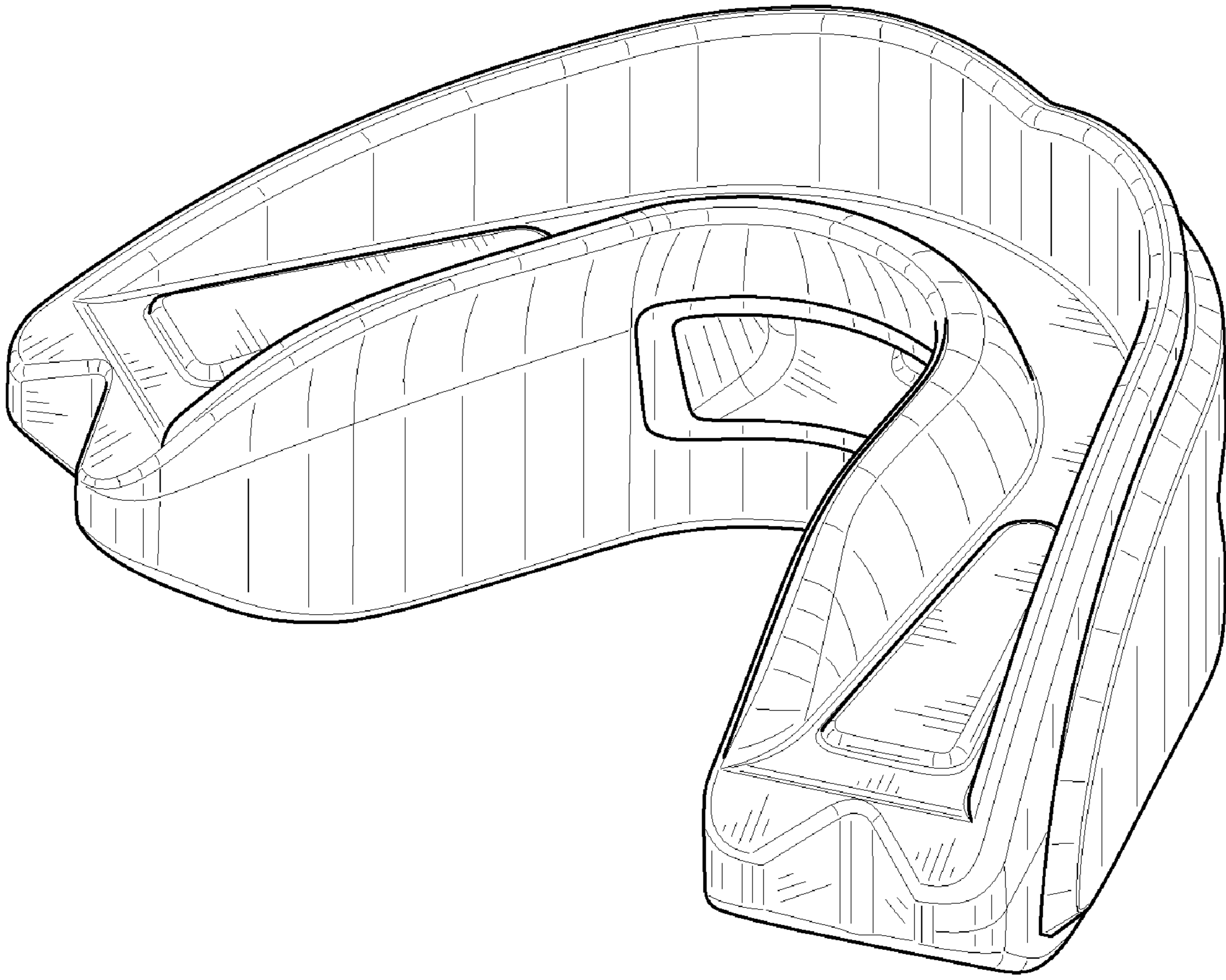


FIG. 2

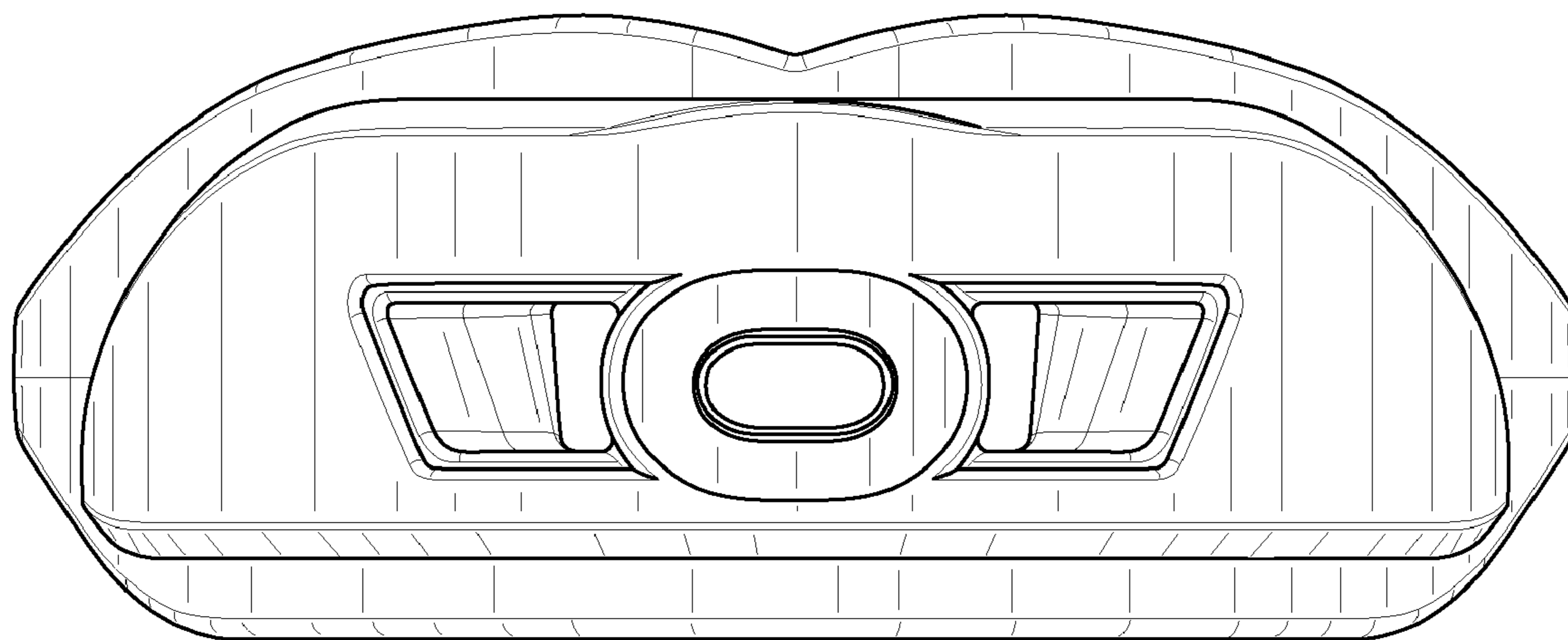


FIG. 3

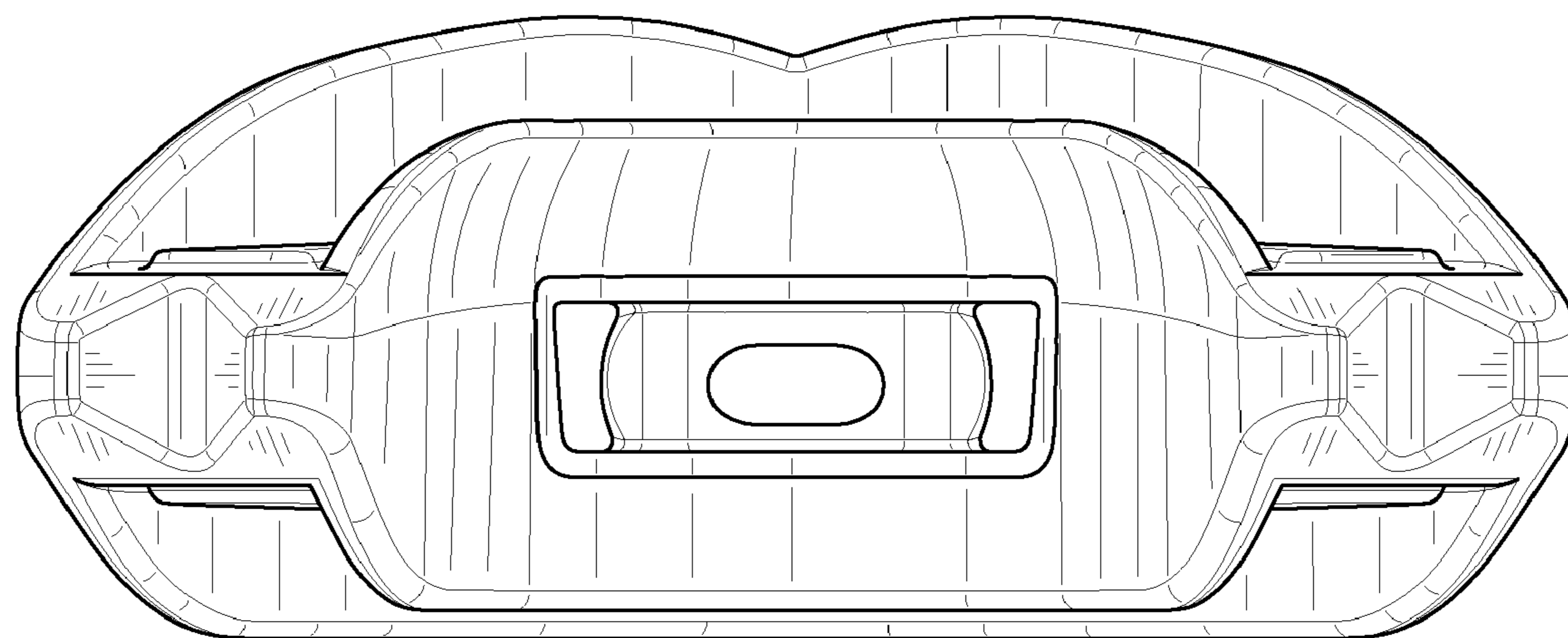


FIG. 4

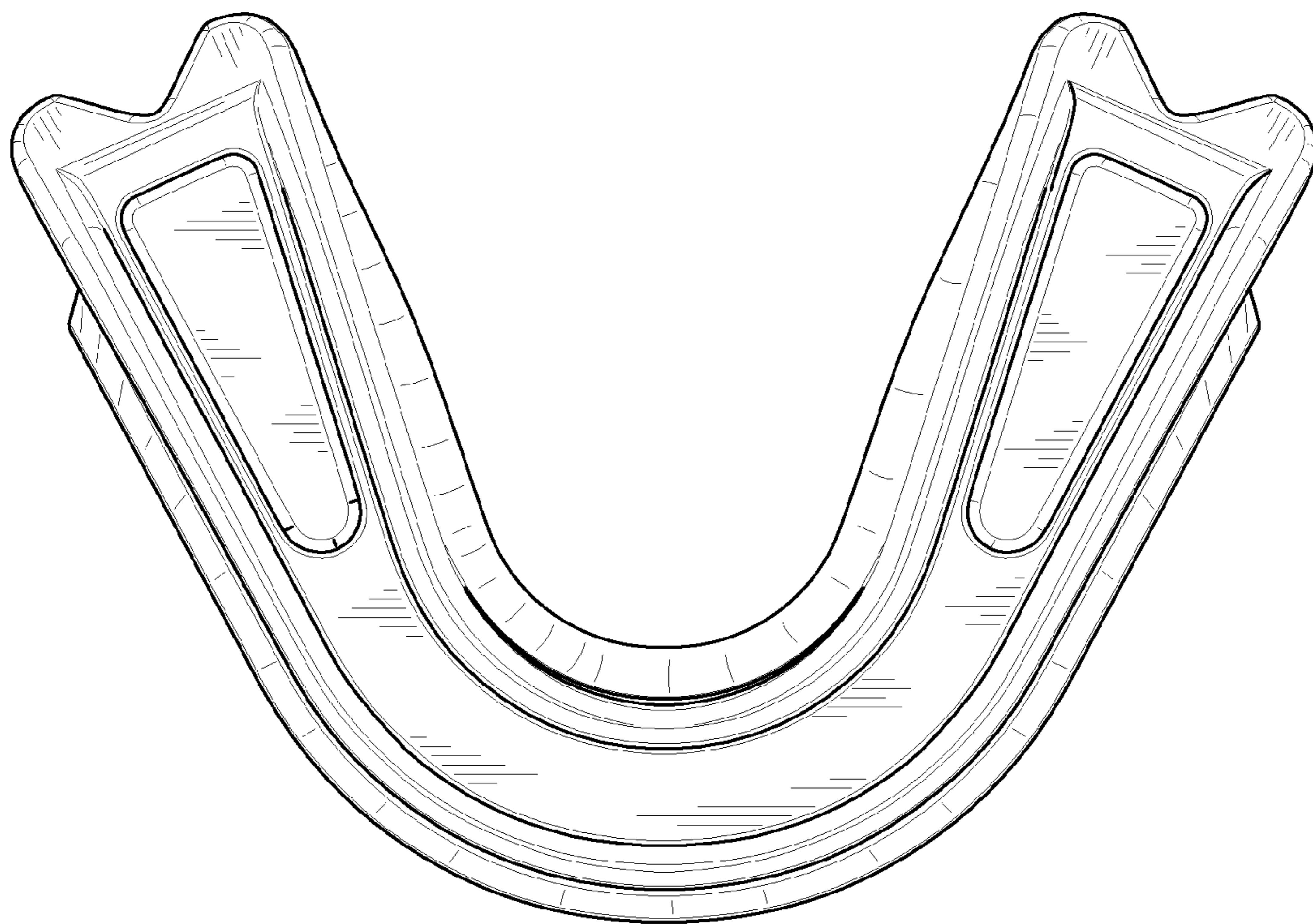


FIG. 5

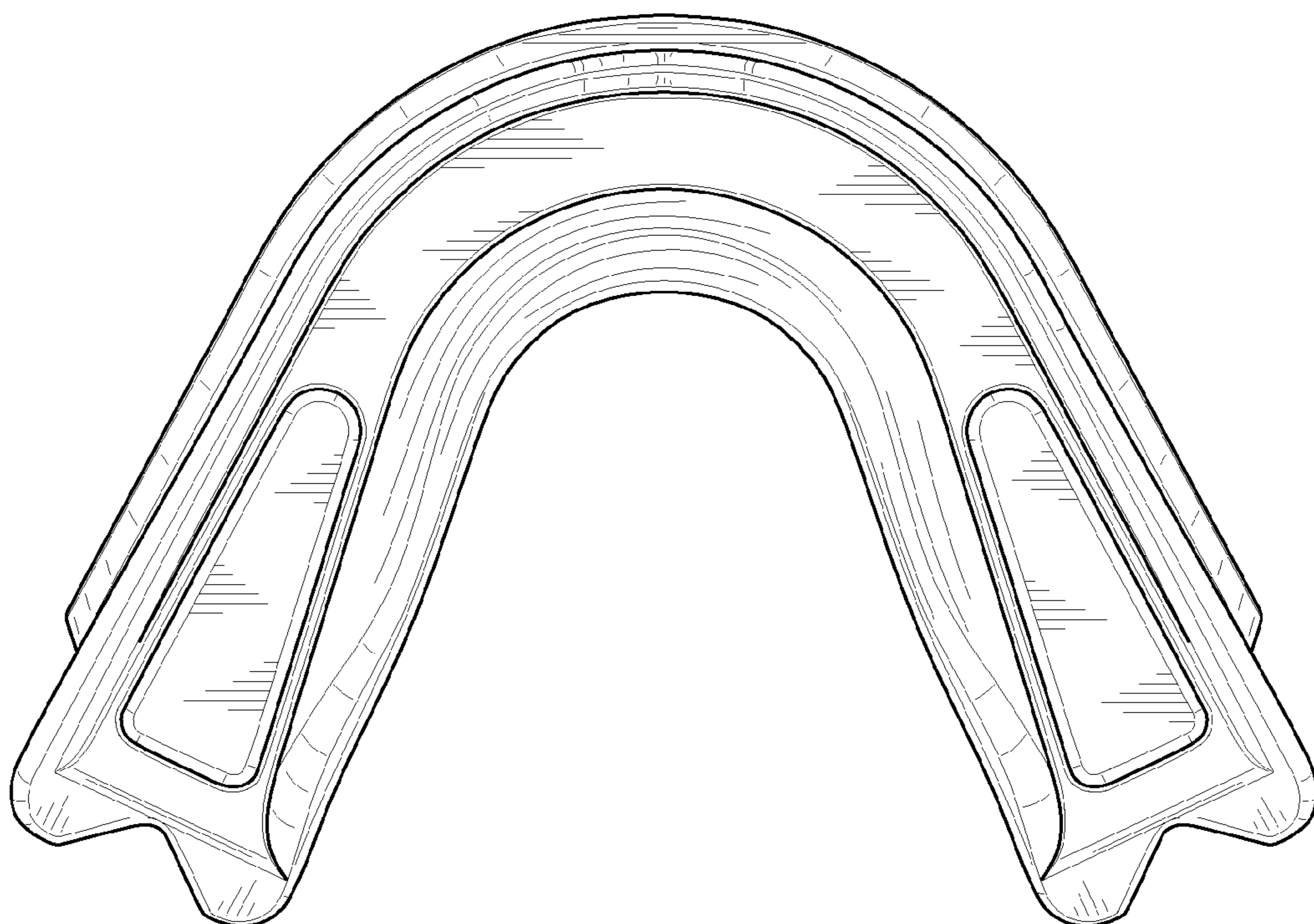


FIG. 6

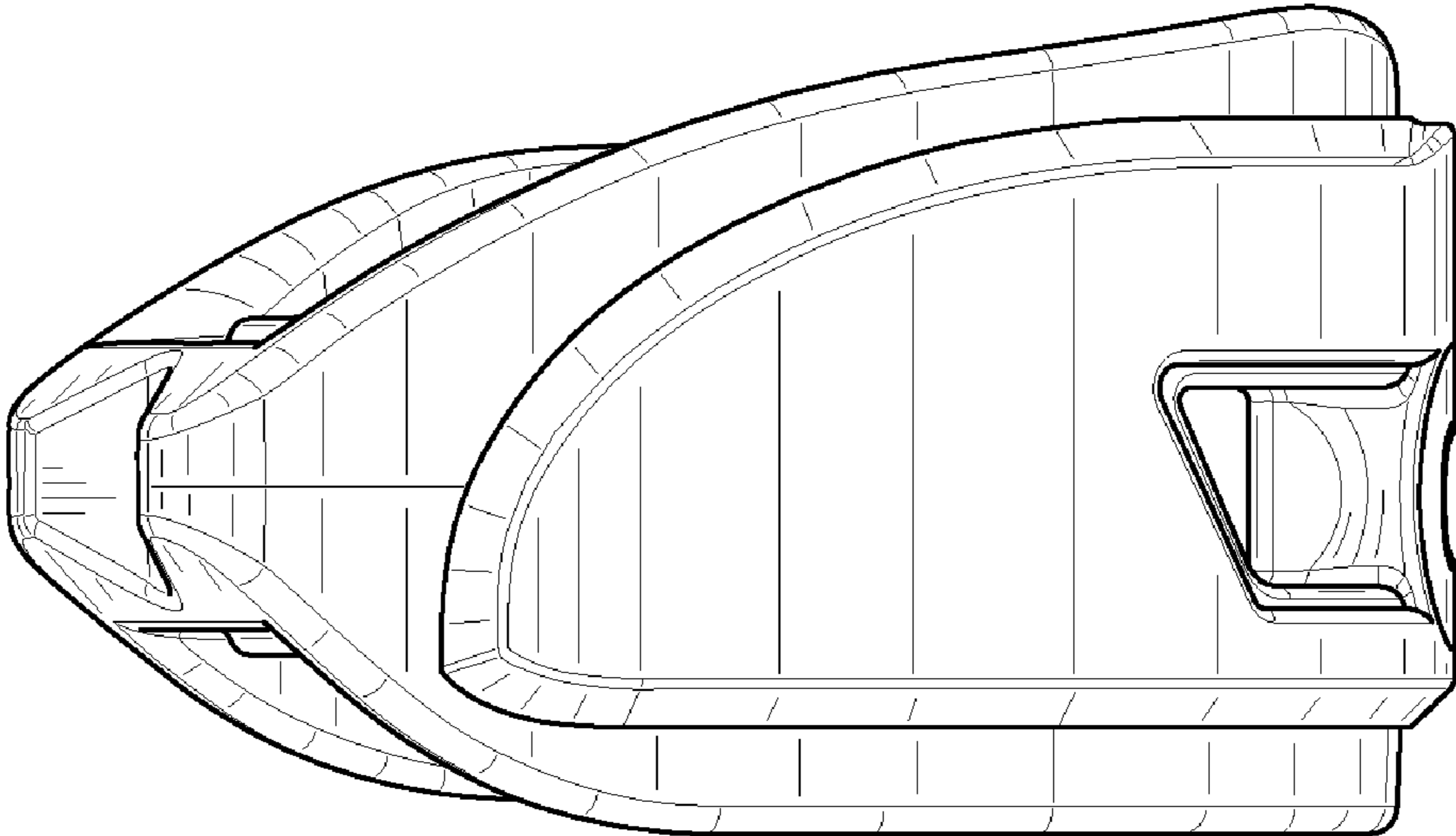


FIG. 7

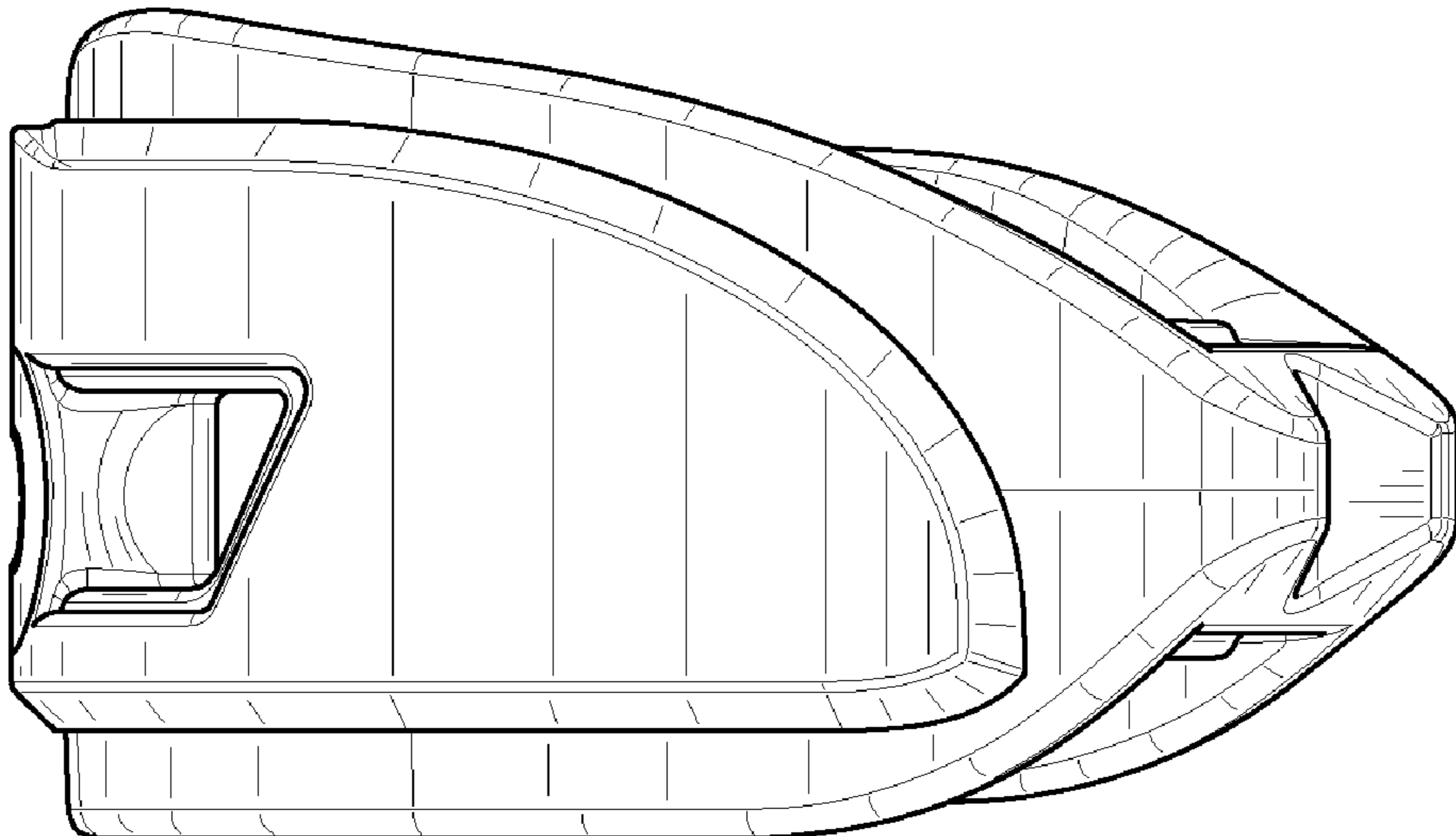


FIG. 8