



US00D616151S

(12) **United States Design Patent**  
**Kojima et al.**

(10) **Patent No.:** **US D616,151 S**

(45) **Date of Patent:** **\*\* May 18, 2010**

(54) **MASCARA PACKAGE**

(74) *Attorney, Agent, or Firm*—Cynthia R. Miller

(75) Inventors: **Yukiko Kojima**, New York, NY (US);  
**Leo R. Mascotte**, New York, NY (US)

(57) **CLAIM**

The ornamental design for a mascara package, substantially as shown and described.

(73) Assignee: **ELC Management LLC**, New York, NY (US)

(\*\*) Term: **14 Years**

**DESCRIPTION**

(21) Appl. No.: **29/325,543**

FIG. 1 is a top, front perspective view of our new design for a mascara package;

(22) Filed: **Oct. 2, 2008**

FIG. 2 is a bottom, rear perspective view of the mascara package shown in FIG. 1;

(51) **LOC (9) Cl.** ..... **28-03**

(52) **U.S. Cl.** ..... **D28/76; D9/504**

(58) **Field of Classification Search** ..... D28/76–77,  
D28/85–90; D9/503–504; 401/126–130,  
401/202; 132/218, 317

FIG. 3 is front elevation view of the mascara package shown in FIG. 1;

FIG. 4 is a right side elevation view of the mascara package shown in FIG. 1, the left side view being a mirror image thereof;

See application file for complete search history.

FIG. 5 is a rear elevation view of the mascara package shown in FIG. 1;

(56) **References Cited**

**U.S. PATENT DOCUMENTS**

D156,259 S *	11/1949	Livermore	.....	D28/77
D180,382 S *	5/1957	Wassyng	.....	D28/85
D231,941 S *	6/1974	Burchette	.....	D28/88
D364,486 S *	11/1995	Tsai	.....	D28/88
D425,259 S *	5/2000	Lang	.....	D28/89
D563,051 S *	2/2008	Martinez	.....	D28/85
D580,597 S *	11/2008	Mascotte et al.	.....	D28/76

FIG. 6 is a top plan view of the mascara package shown in FIG. 1;

FIG. 7 is a bottom plan view of the mascara package shown in FIG. 1; and,

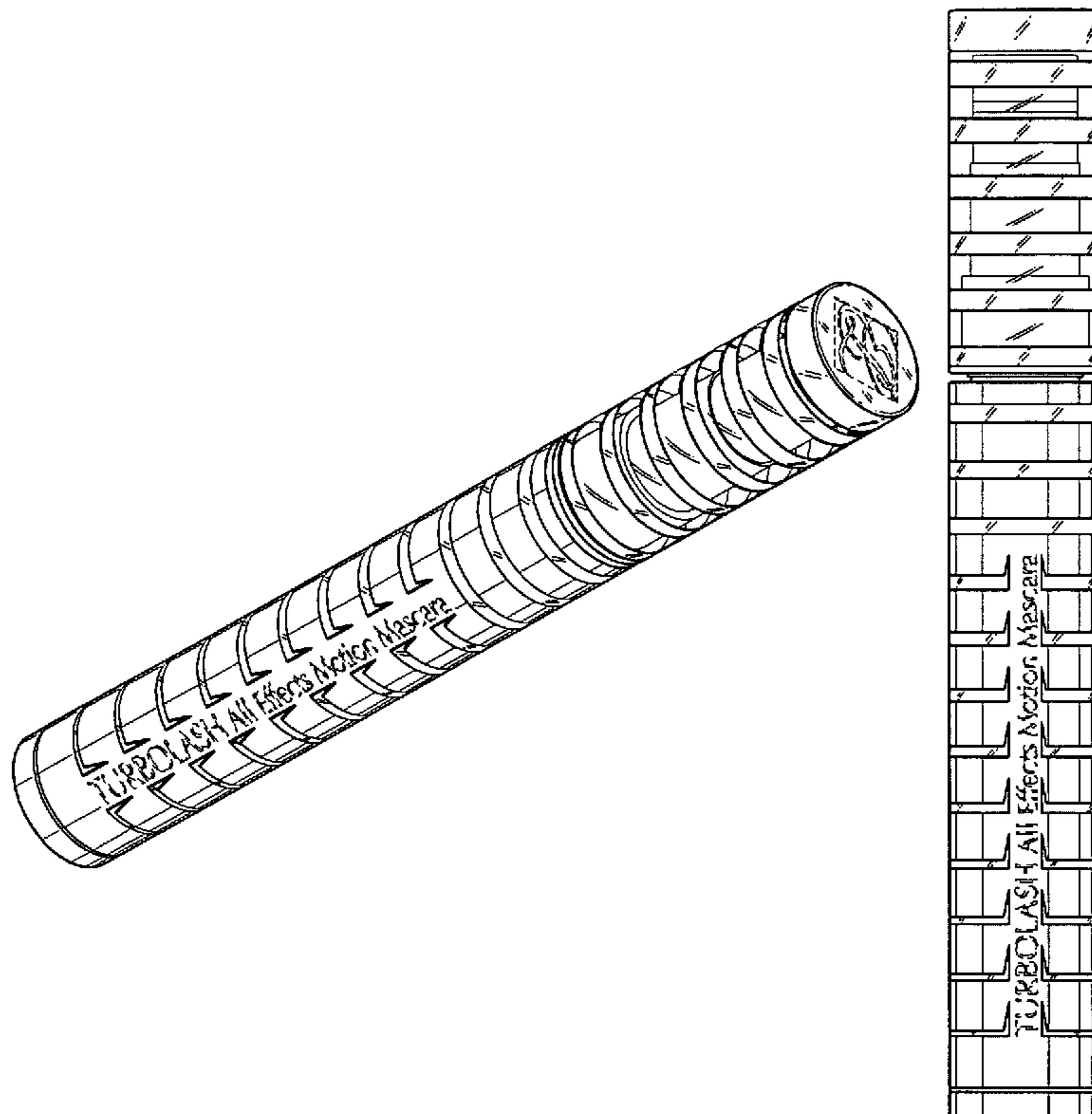
FIG. 8 is front elevation view of the mascara package shown in FIG. 3, with the cap removed.

The broken line showing in FIGS. 1, 3, 4, 6 and 8 is presented for illustrative purposes only and forms no part of the claimed design.

\* cited by examiner

*Primary Examiner*—Jennifer Rivard

**1 Claim, 3 Drawing Sheets**



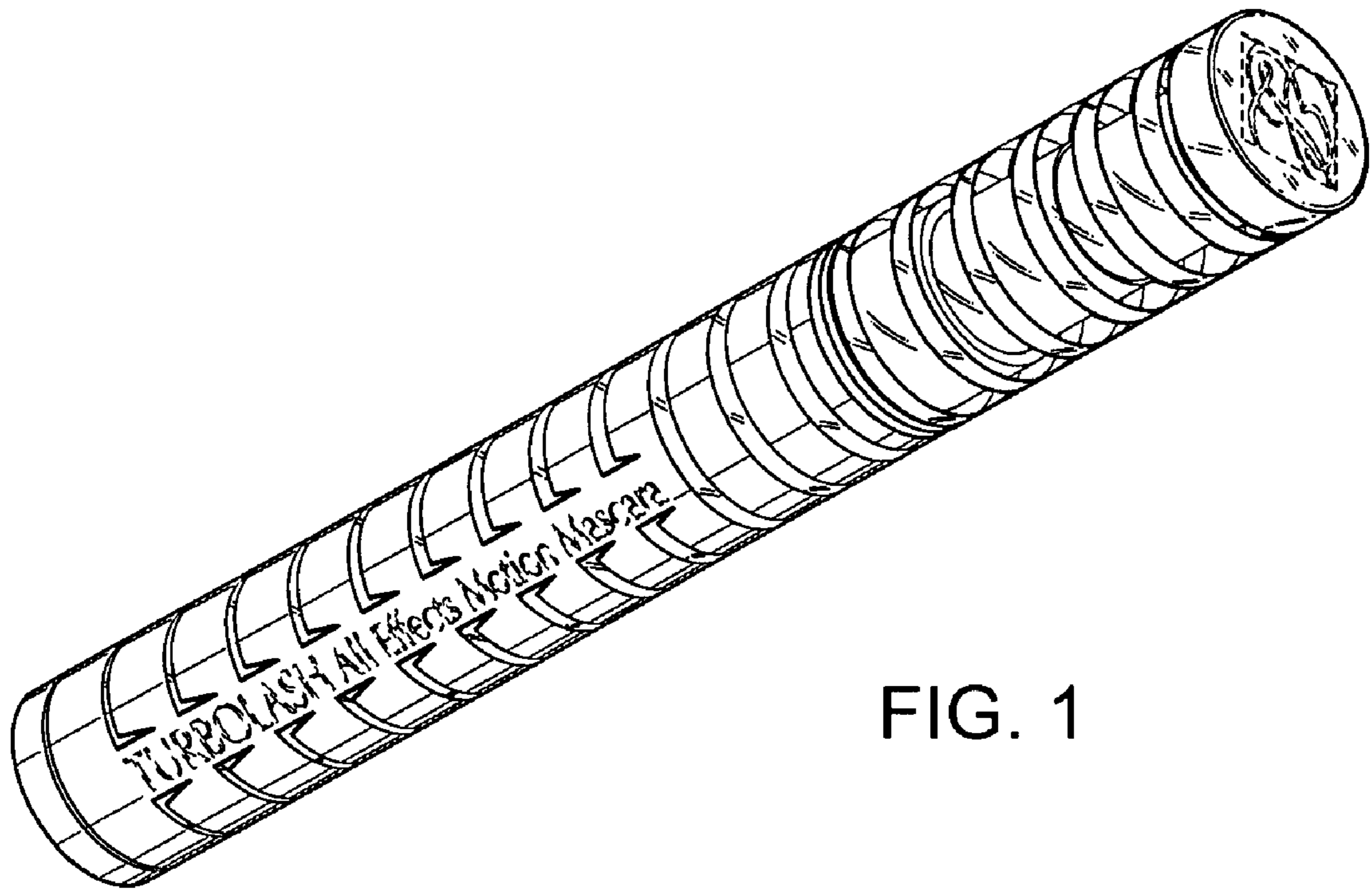


FIG. 1

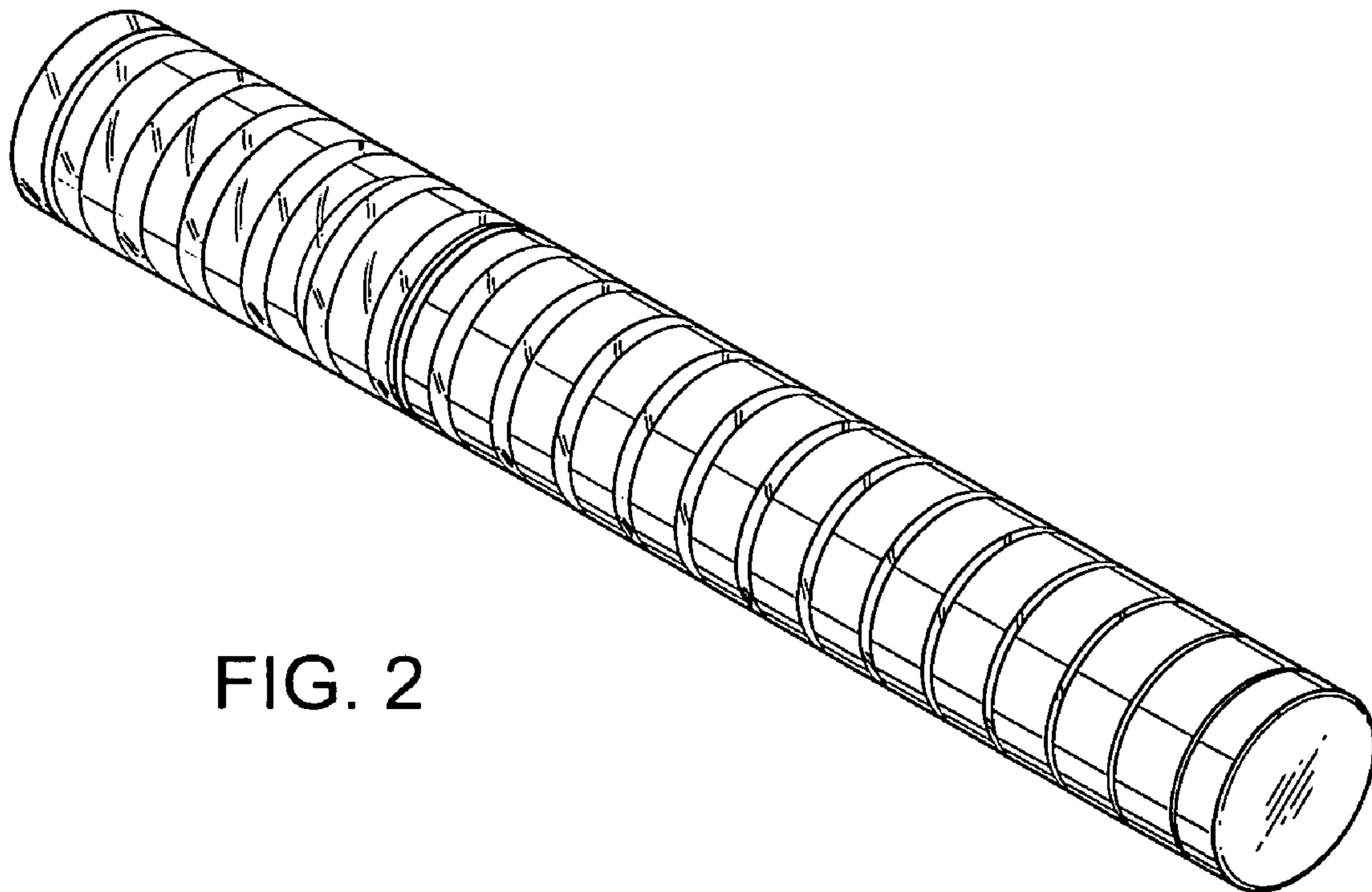


FIG. 2

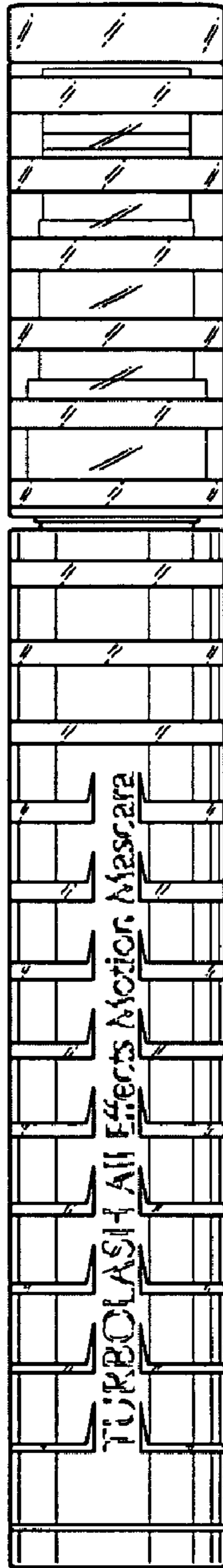


FIG. 3

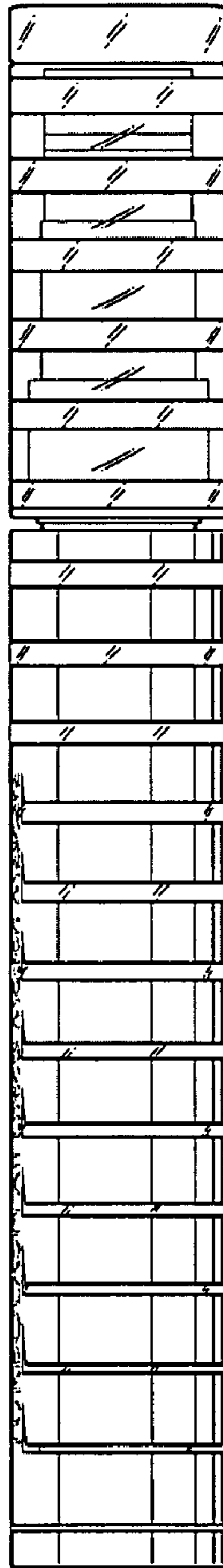


FIG. 4

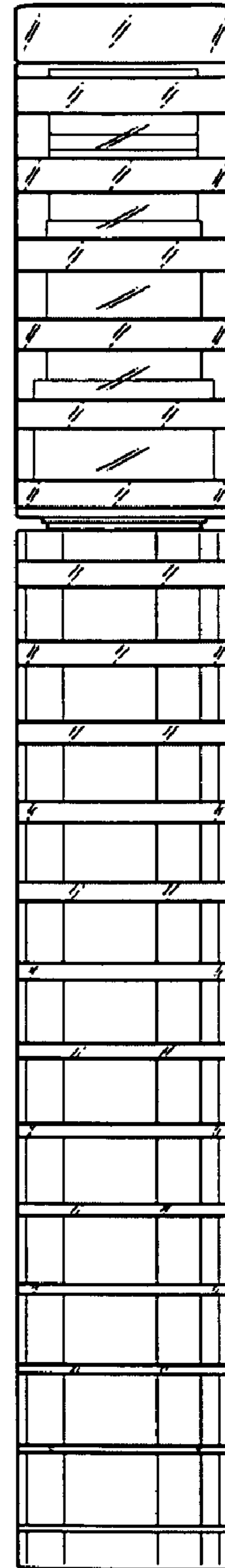


FIG. 5

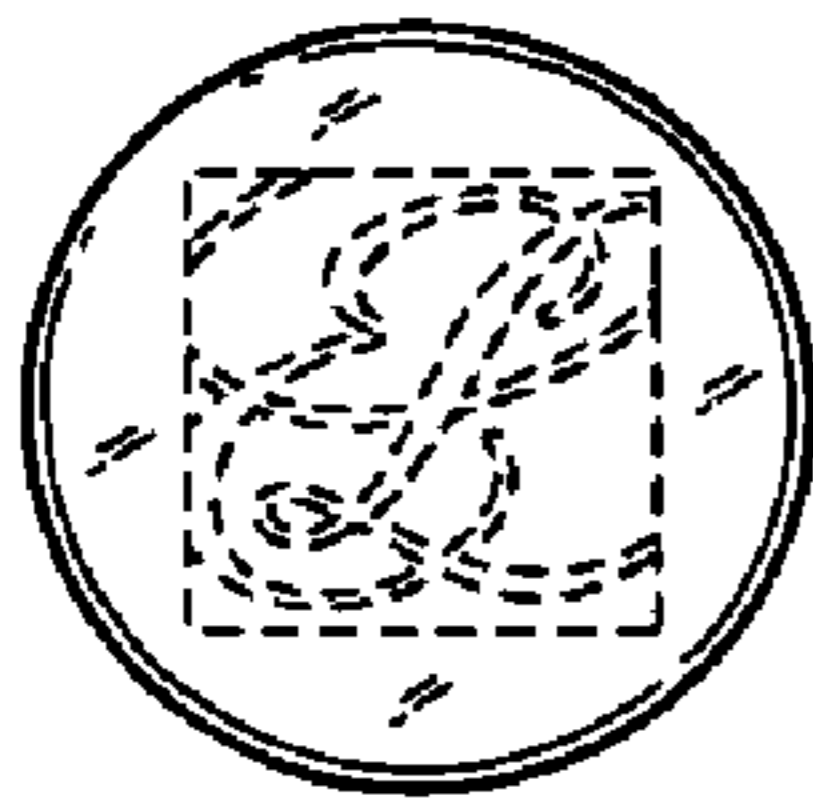


FIG. 6

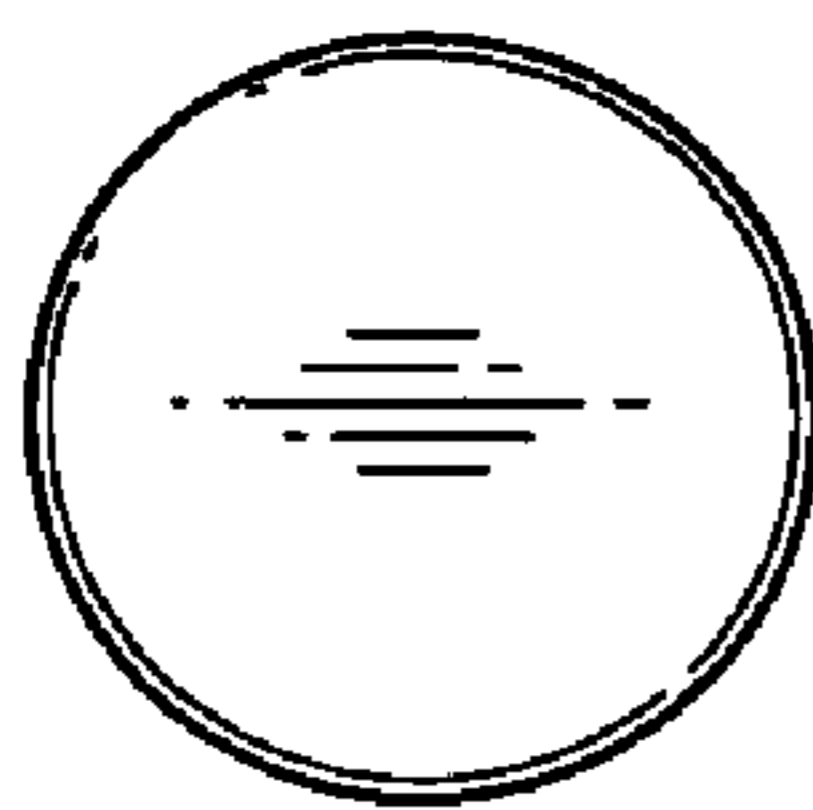


FIG. 7

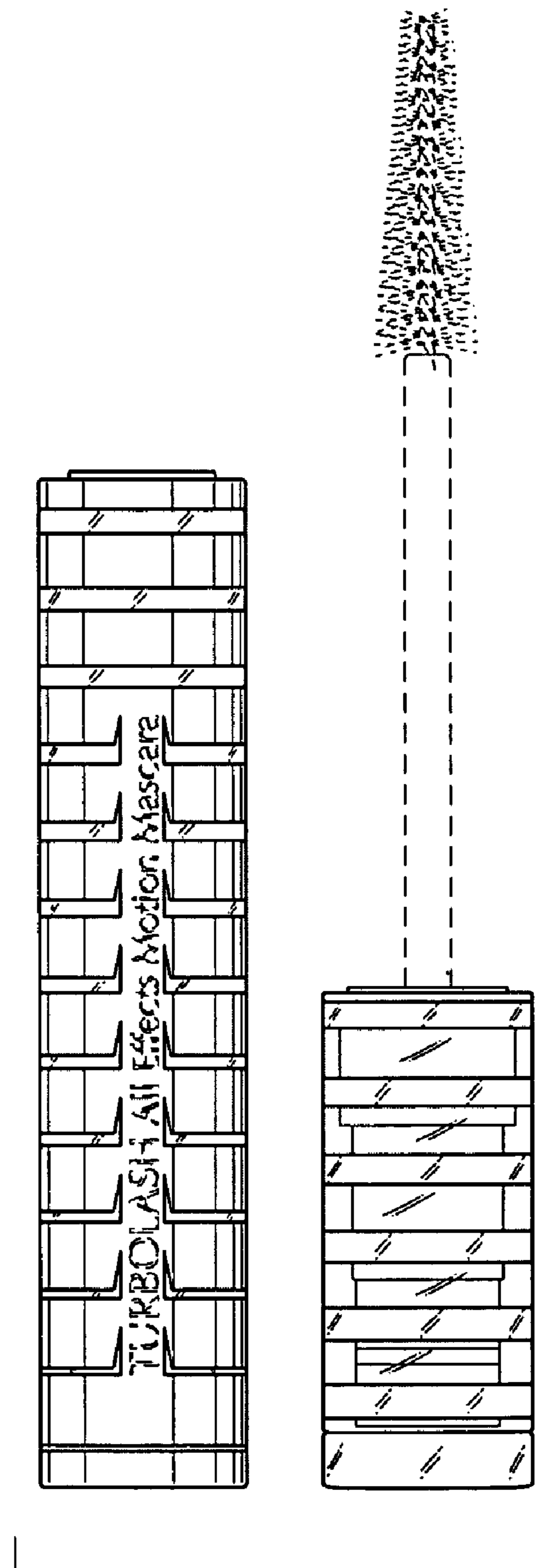


FIG. 8