



US00D616150S

(12) **United States Design Patent**
Tran

(10) **Patent No.:** **US D616,150 S**

(45) **Date of Patent:** **** May 18, 2010**

(54) **FINGERNAIL TIP EXTENSION**

(76) Inventor: **Quoc N. Tran**, P.O. Box 4303, Garden Grove, CA (US) 92842

(**) Term: **14 Years**

(21) Appl. No.: **29/313,510**

(22) Filed: **Jan. 15, 2009**

(51) **LOC (9) Cl.** **28-03**

(52) **U.S. Cl.** **D28/56**

(58) **Field of Classification Search** D28/56-62;
132/73, 73.5, 200

See application file for complete search history.

(56) **References Cited**

U.S. PATENT DOCUMENTS

- 5,860,429 A * 1/1999 Chang 132/73
- D525,747 S * 7/2006 Robinson D28/56
- D545,495 S * 6/2007 Ma et al. D28/56
- 2005/0183735 A1* 8/2005 Robinson 132/73

2008/0289646 A1* 11/2008 Fracassi et al. 132/200

* cited by examiner

Primary Examiner—Jennifer Rivard

(74) *Attorney, Agent, or Firm*—Morland C. Fischer

(57) **CLAIM**

The ornamental design for a fingernail tip extension, as shown and described.

DESCRIPTION

FIG. 1 is a perspective view showing the top, front and left side of a fingernail tip extension which forms my new design, the broken lines showing a human finger being for illustrative purposes only and forming no part of my design;

FIG. 2 is a top plan view thereof;

FIG. 3 is a bottom plan view thereof;

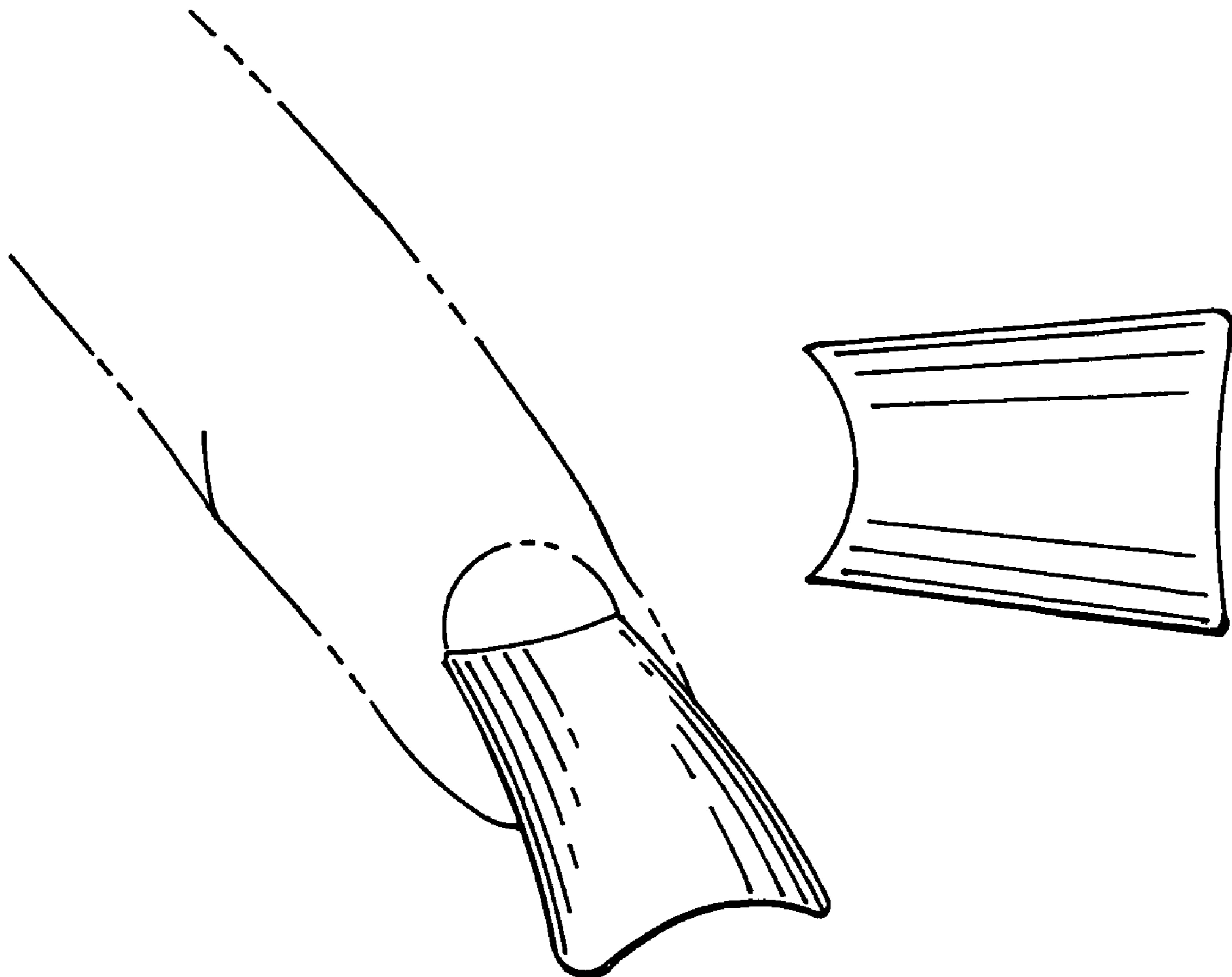
FIG. 4 is a front elevational view thereof;

FIG. 5 is a rear elevational view thereof;

FIG. 6 is a left side elevational view thereof; and,

FIG. 7 is a right side elevational view thereof.

1 Claim, 2 Drawing Sheets



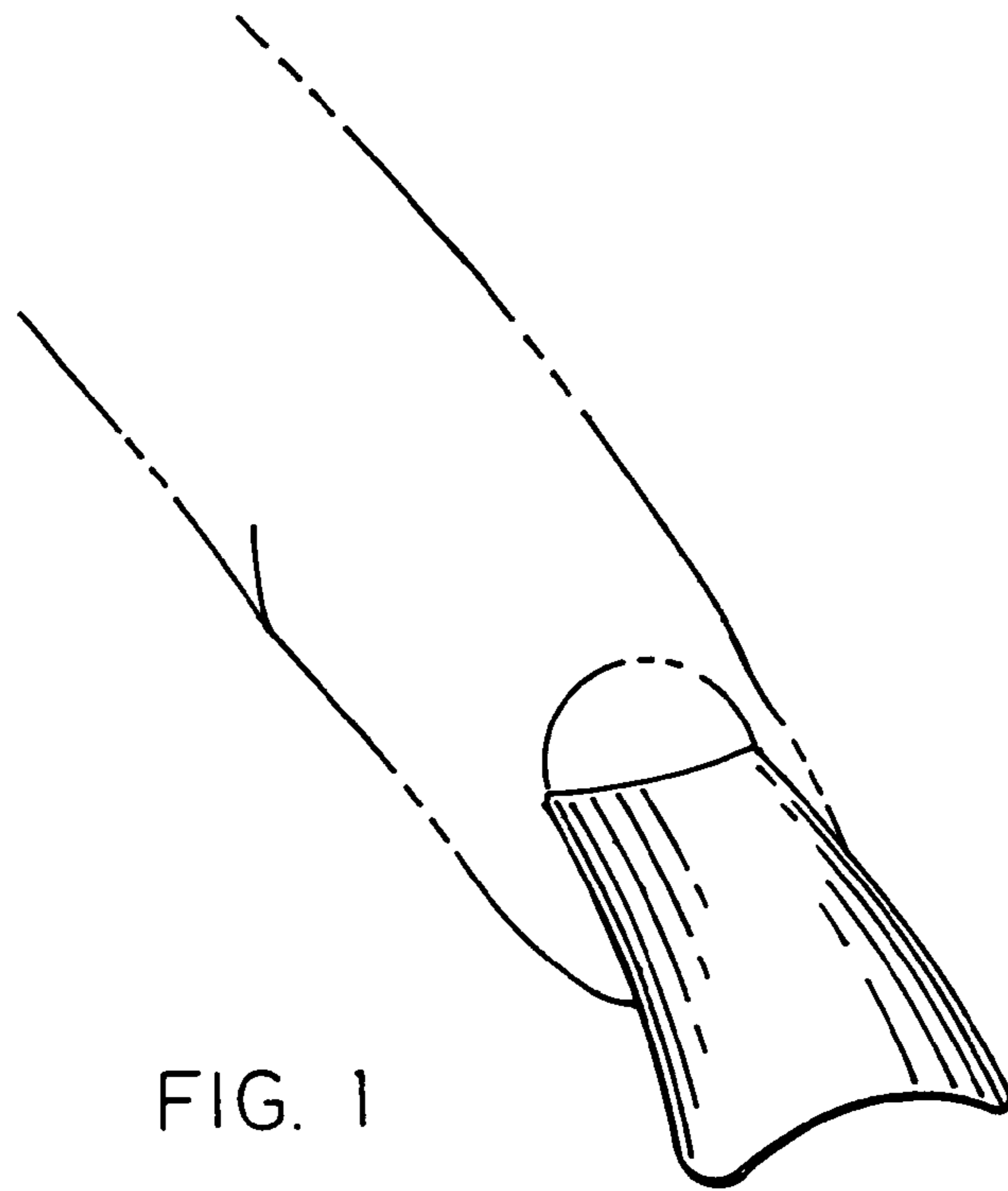


FIG. 1

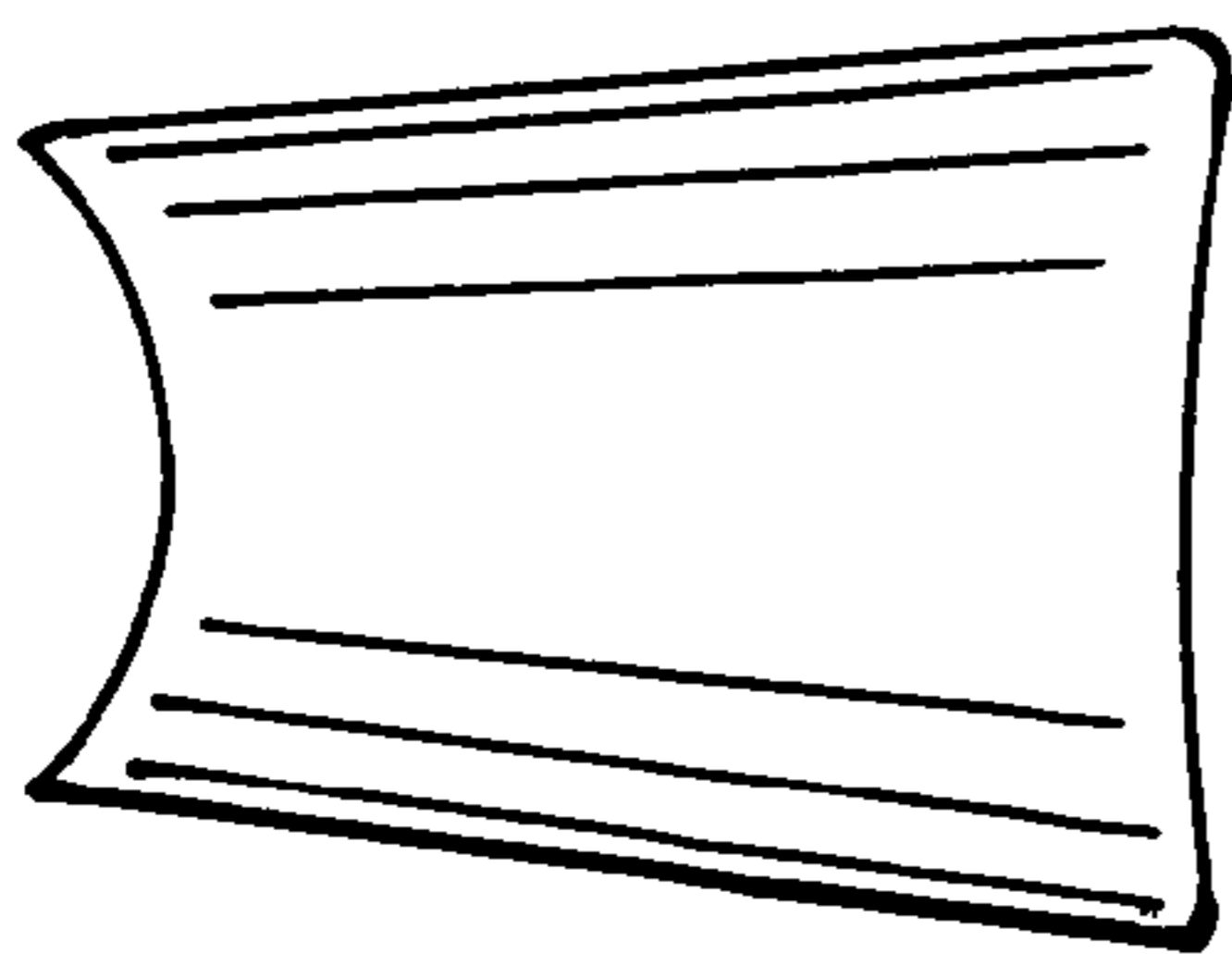


FIG. 2

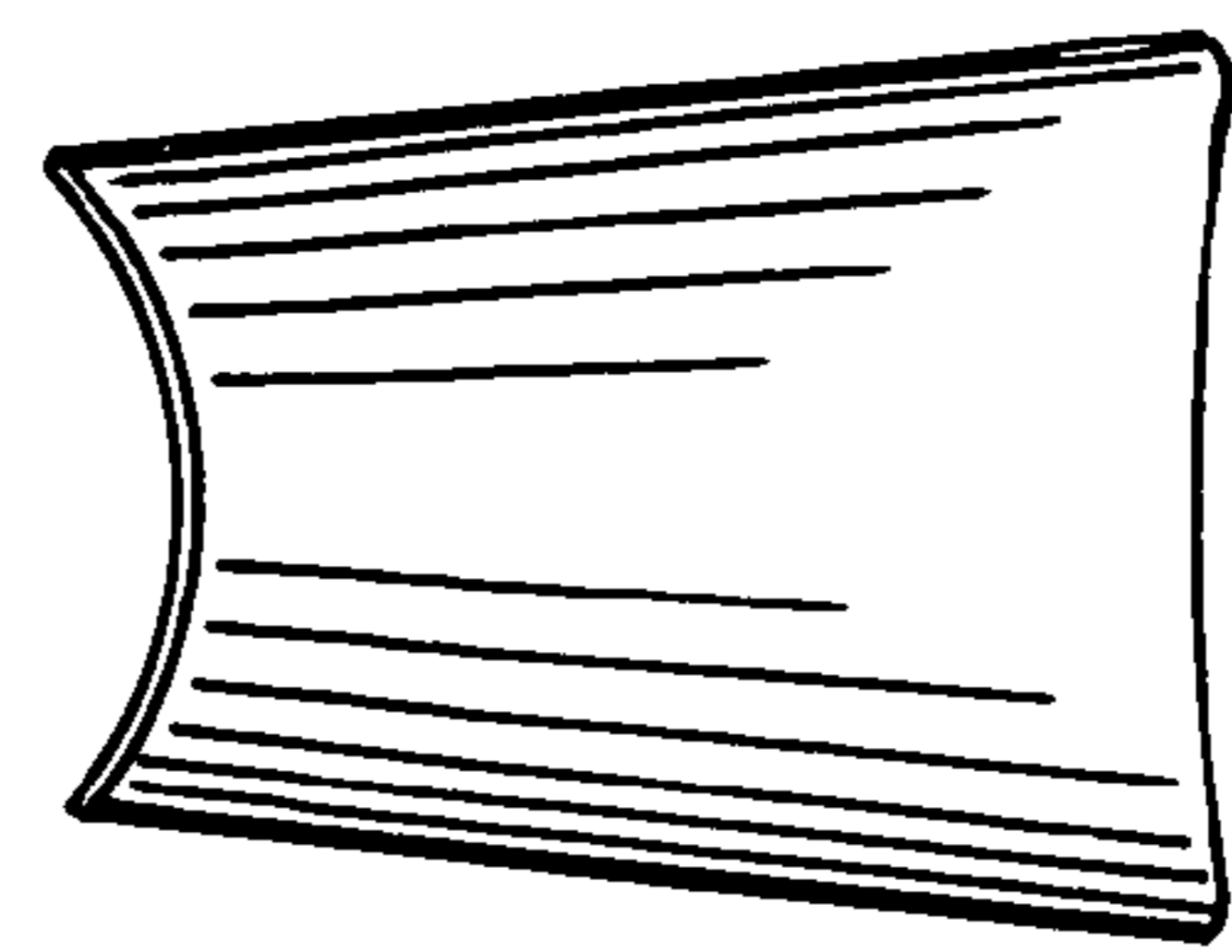


FIG. 3

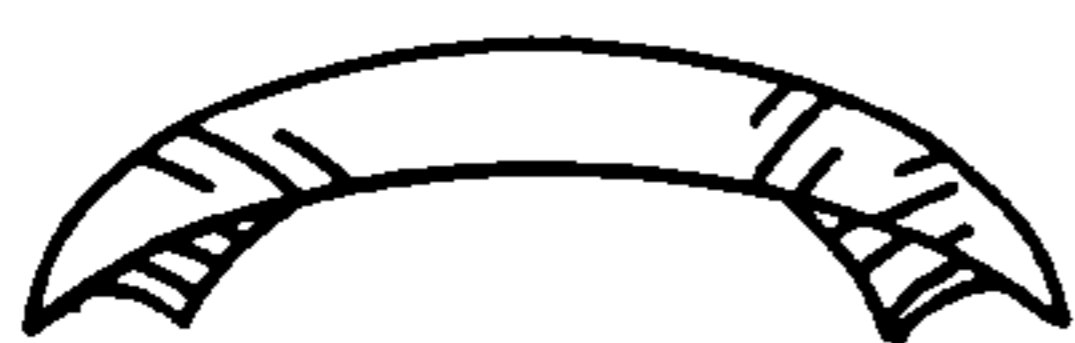


FIG. 4



FIG. 5

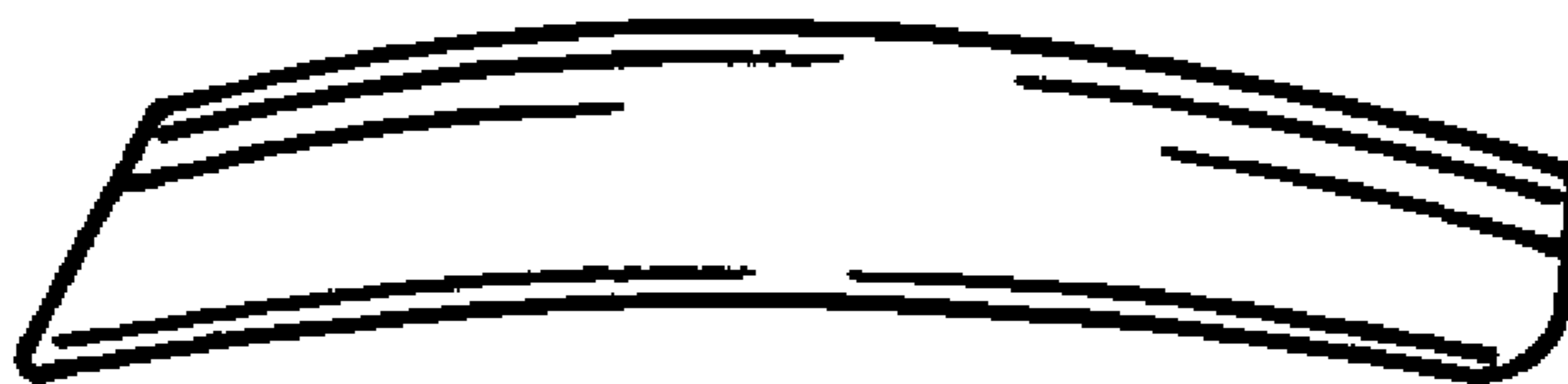


FIG. 6

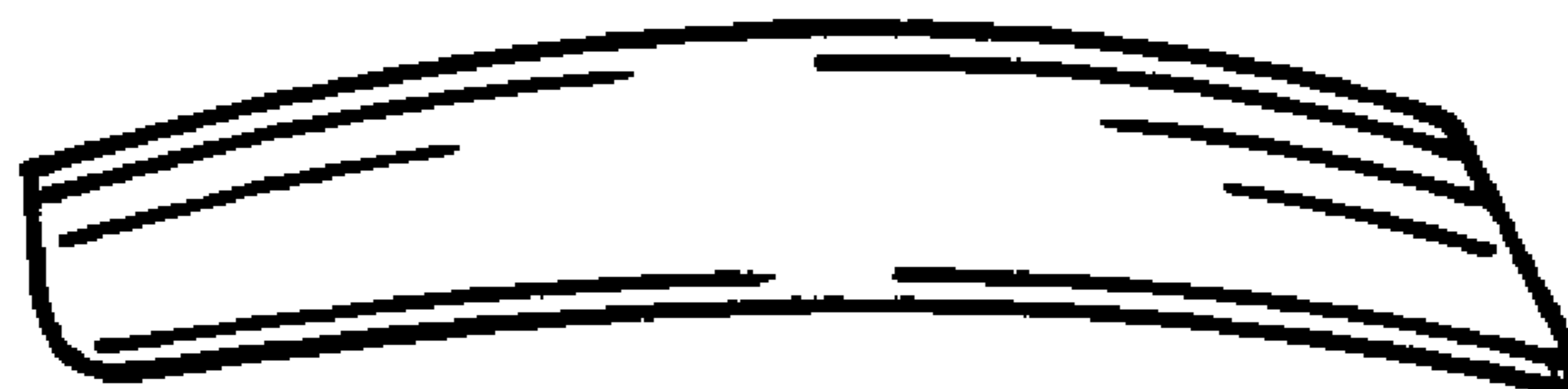


FIG. 7