



US00D616147S

(12) **United States Design Patent**
Adams

(10) **Patent No.:** **US D616,147 S**
(45) **Date of Patent:** **** May 18, 2010**

(54) **HAIR TRIMMING DEVICE**

(75) Inventor: **Isabelle Jane Adams**, Reading (GB)

(73) Assignee: **The Gillette Company**, Boston, MA
(US)

(**) Term: **14 Years**

(21) Appl. No.: **29/340,311**

(22) Filed: **Jul. 16, 2009**

(51) **LOC (9) Cl.** **28-03**

(52) **U.S. Cl.** **D28/46**

(58) **Field of Classification Search** 30/32,
30/34.05, 34.1-34.2, 41, 44-46, 47-51, 57-58,
30/77-84, 526-536, 537-539; D28/44-49,
D28/51

See application file for complete search history.

(56) **References Cited**

U.S. PATENT DOCUMENTS

797,184 A	8/1905	Deneen	
1,493,962 A	5/1924	Cowan	
1,683,980 A	9/1928	Kwartin	
1,822,766 A	9/1931	Duffy	
2,234,440 A	3/1941	Lewis	
2,256,326 A	9/1941	Quinio	
3,004,337 A	10/1961	Schweizer	
3,165,831 A	1/1965	Carroll	
3,279,055 A	10/1966	Penn	
D215,915 S *	11/1969	Biklen	D28/46
D239,742 S *	4/1976	Rees	D28/46
3,947,960 A	4/1976	Urbaniak	
3,953,926 A	5/1976	Kallikounis	
4,709,475 A	12/1987	Phung	
4,928,716 A	5/1990	Greene	
5,359,774 A	11/1994	Althaus	
D353,225 S	12/1994	Doran et al.	
5,386,750 A	2/1995	Morrison	
6,058,608 A	5/2000	Wruck	
6,076,109 A	6/2000	Kikinis	
6,094,820 A	8/2000	Adachi	
6,397,497 B1	6/2002	McAtee	
D467,387 S *	12/2002	Wonderley	D28/45

6,530,151 B2	3/2003	Kameka	
D499,511 S *	12/2004	Wakayama	D28/46
6,928,738 B2	8/2005	Segrea	
D513,442 S *	1/2006	Miyazaki et al.	D28/48
D541,987 S	5/2007	Sugawara	
D552,795 S *	10/2007	Wonderley	D28/46
D558,923 S *	1/2008	Watson et al.	D28/48

(Continued)

FOREIGN PATENT DOCUMENTS

DE 3325934 A1 3/1985

(Continued)

OTHER PUBLICATIONS

U.S. Appl. No. 12/504,014, Jul. 16, 2009, Nicoll.

(Continued)

Primary Examiner—Jennifer Rivard

(74) *Attorney, Agent, or Firm*—Dara M. Kendall; Kevin C. Johnson; Steven W. Miller

(57) **CLAIM**

The ornamental design for a hair trimming device, as shown and described.

DESCRIPTION

FIG. 1 is a perspective view of a hair trimming device of the present invention;

FIG. 2 is a front elevational view thereof;

FIG. 3 is rear elevational view thereof;

FIG. 4 is a right side elevational view thereof;

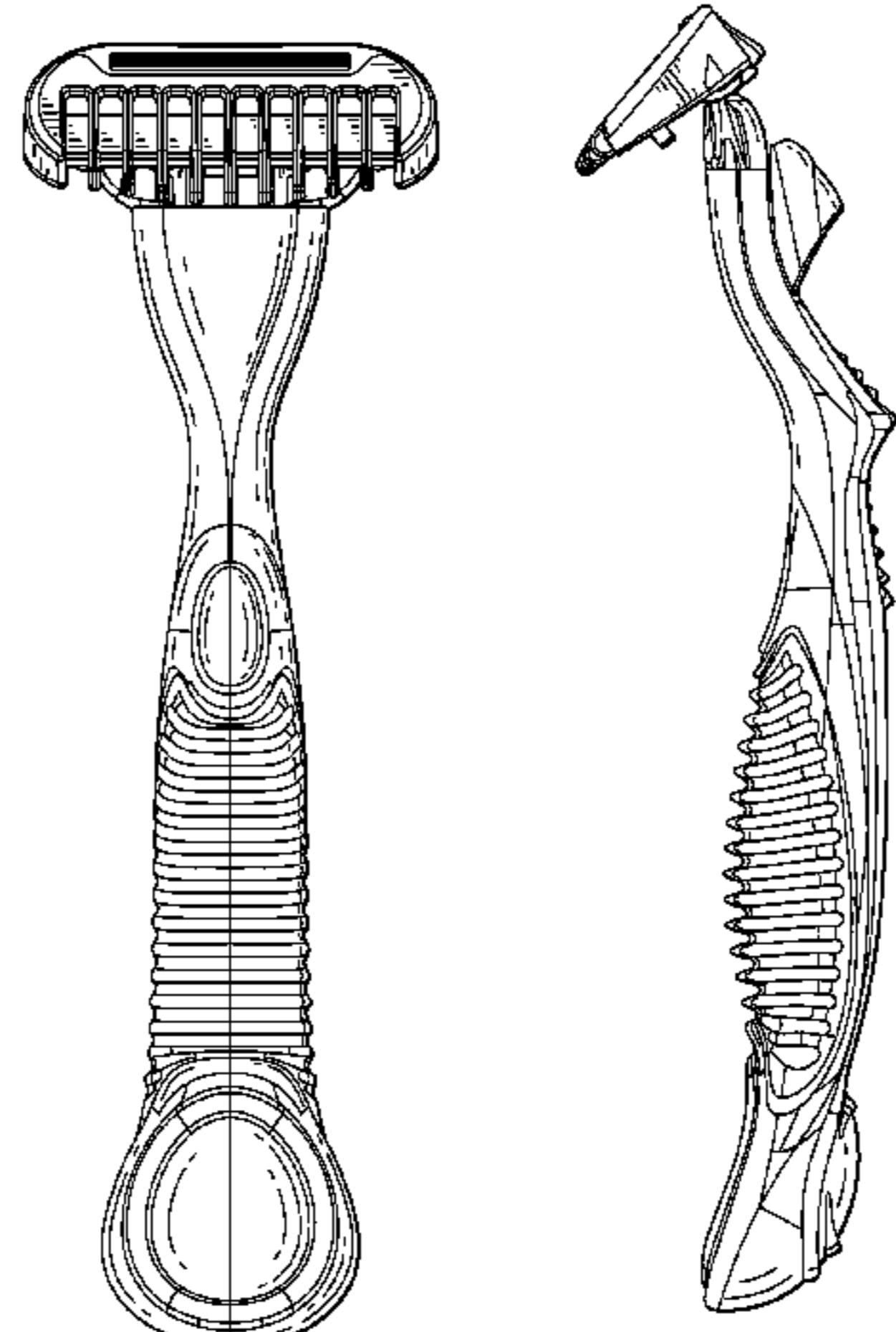
FIG. 5 is a left side elevational view thereof;

FIG. 6 is a top plan view thereof; and,

FIG. 7 is a bottom plan view thereof.

The broken lines are shown for illustrative purposes only and form no part of the claimed design.

1 Claim, 7 Drawing Sheets



US D616,147 S

Page 2

U.S. PATENT DOCUMENTS

D602,634 S * 10/2009 Cataudella et al. D28/46
2002/0062568 A1 5/2002 Stiles
2004/0035003 A1 2/2004 Stiles
2006/0005394 A1 1/2006 Newkirk et al.
2006/0130334 A1 6/2006 Park
2006/0179661 A1 8/2006 Walker et al.
2007/0006463 A1 1/2007 Pennella et al.
2007/0137045 A1 6/2007 Follo et al.
2008/0016691 A1 1/2008 Pennella et al.
2008/0078333 A1 4/2008 Wang
2008/0250644 A1 10/2008 Orloff et al.

FOREIGN PATENT DOCUMENTS

DE 20300057 U1 4/2003
DE 20311172 U1 10/2003
DE 202005013297 1/2006
JP 2000167269 A2 6/2000

OTHER PUBLICATIONS

U.S. Appl. No. 29/340,306, Jul. 16, 2009, Nicoll.
U.S. Appl. No. 29/340,308, Jul. 16, 2009, Wattam.
U.S. Appl. No. 29/340,310, Jul. 16, 2009, Adams.
U.S. Appl. No. 29/340,307, Jul. 16, 2009, Wattam.
U.S. Appl. No. 29/340,312, Jul. 16, 2009, Goodhead.

* cited by examiner

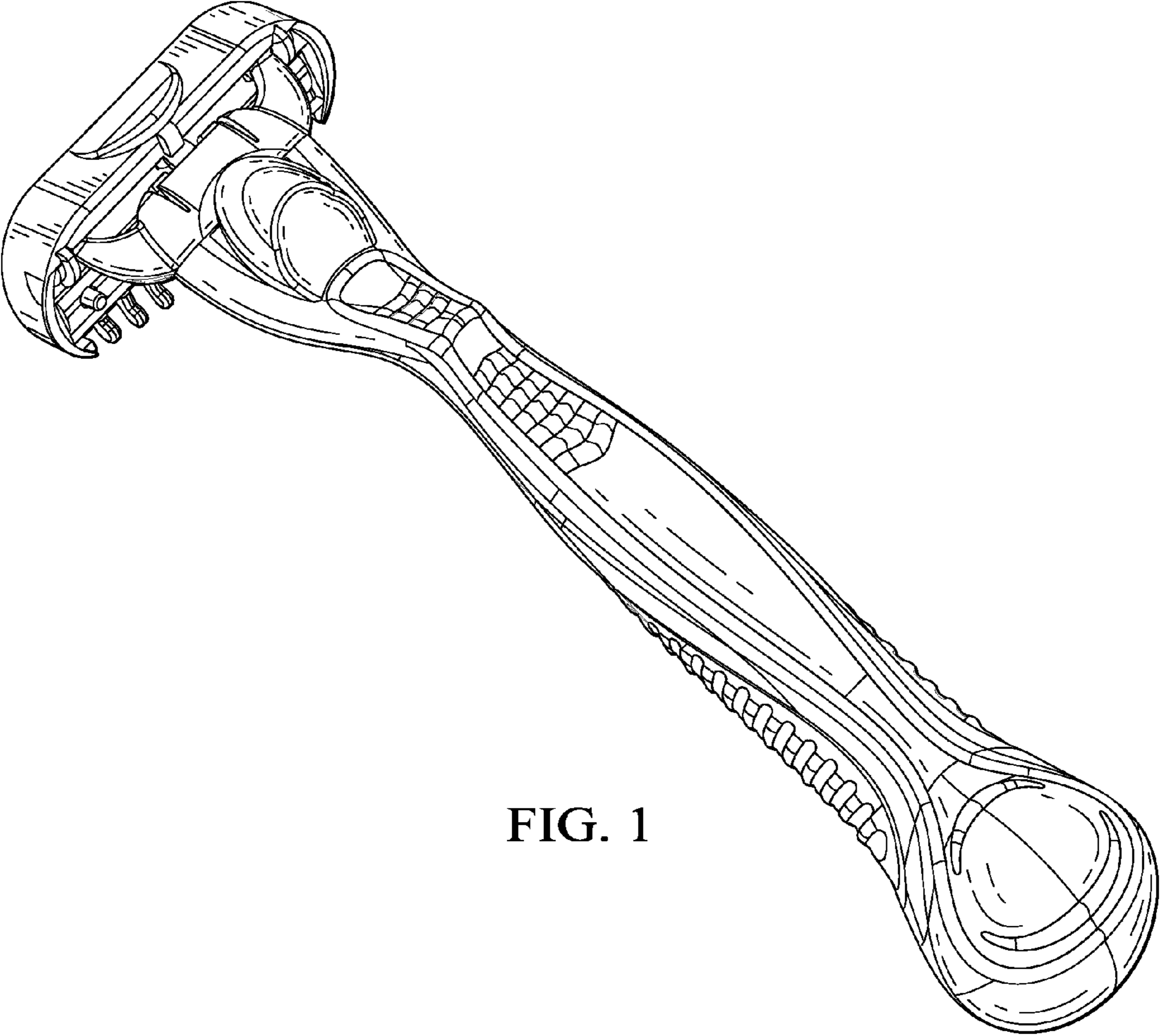


FIG. 1

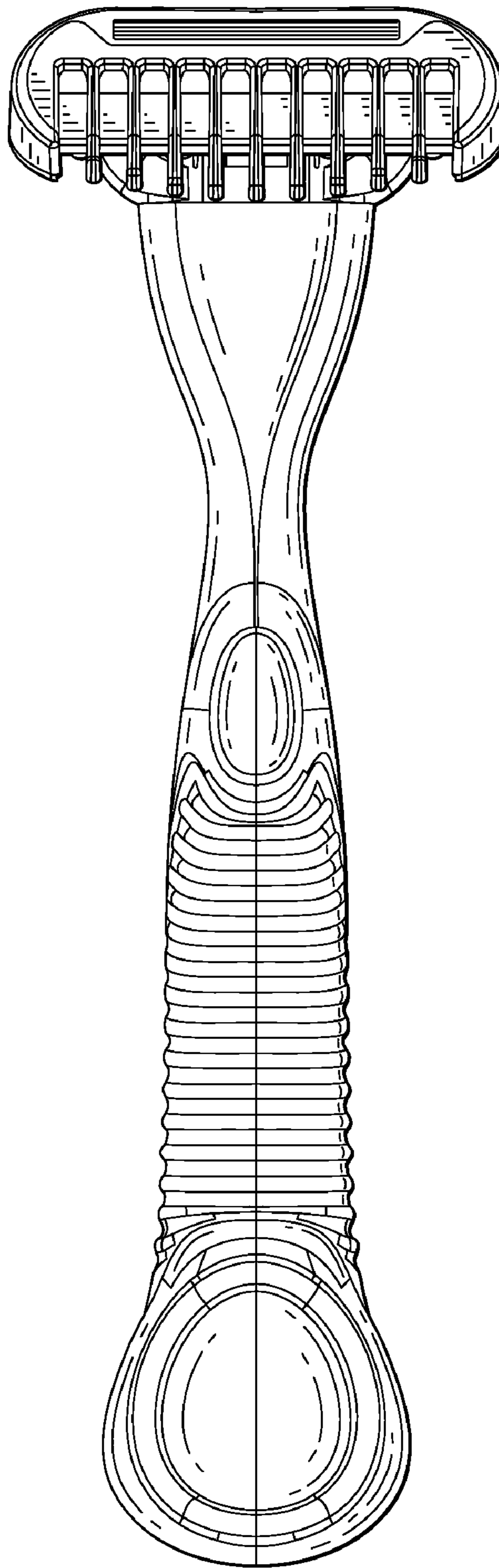


FIG. 2

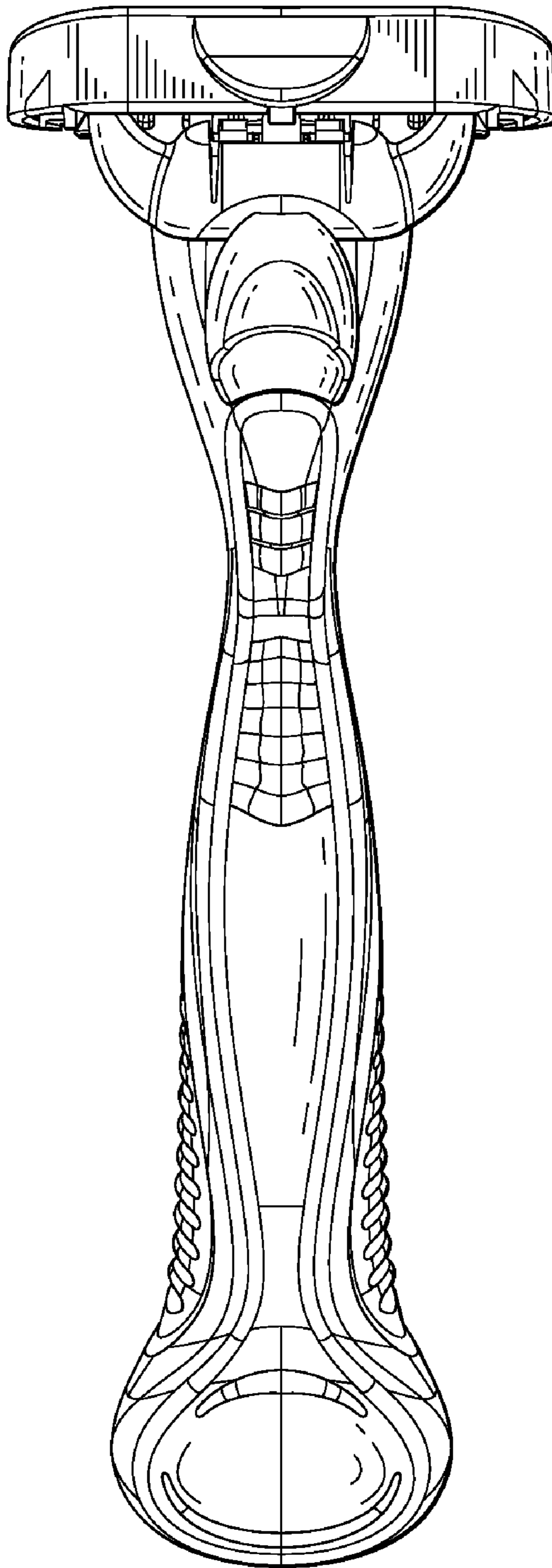


FIG. 3

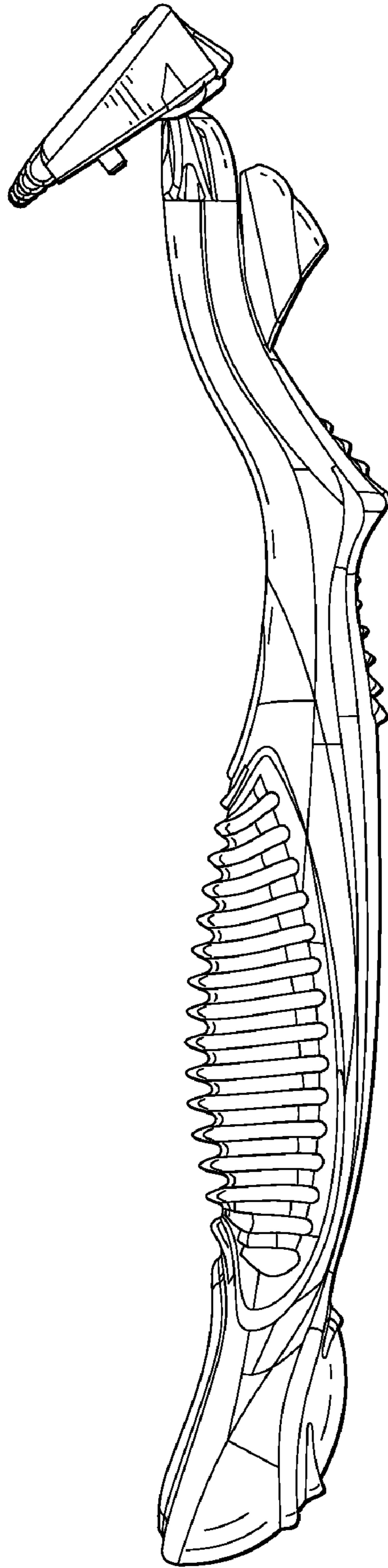


FIG. 4

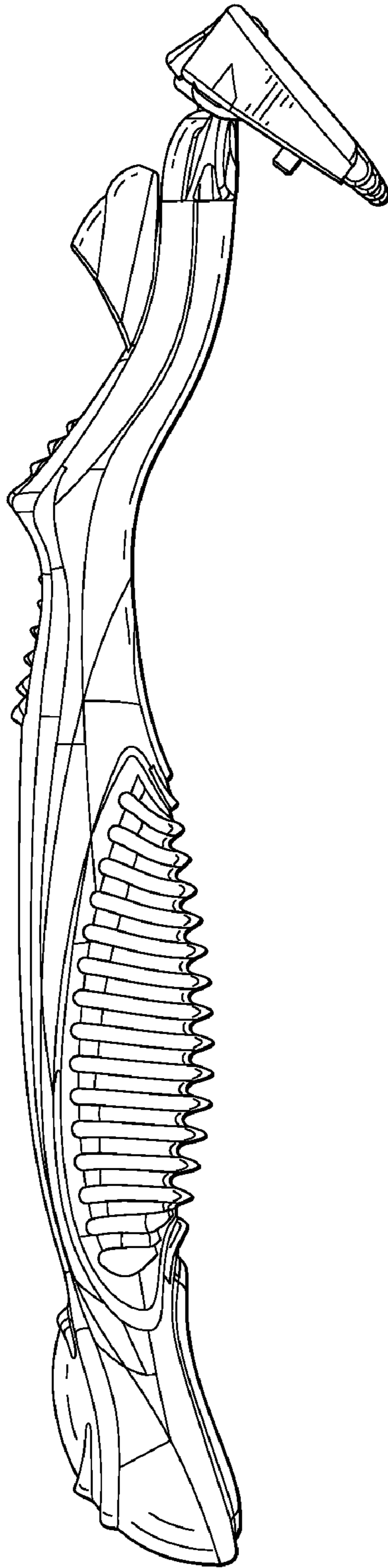


FIG. 5

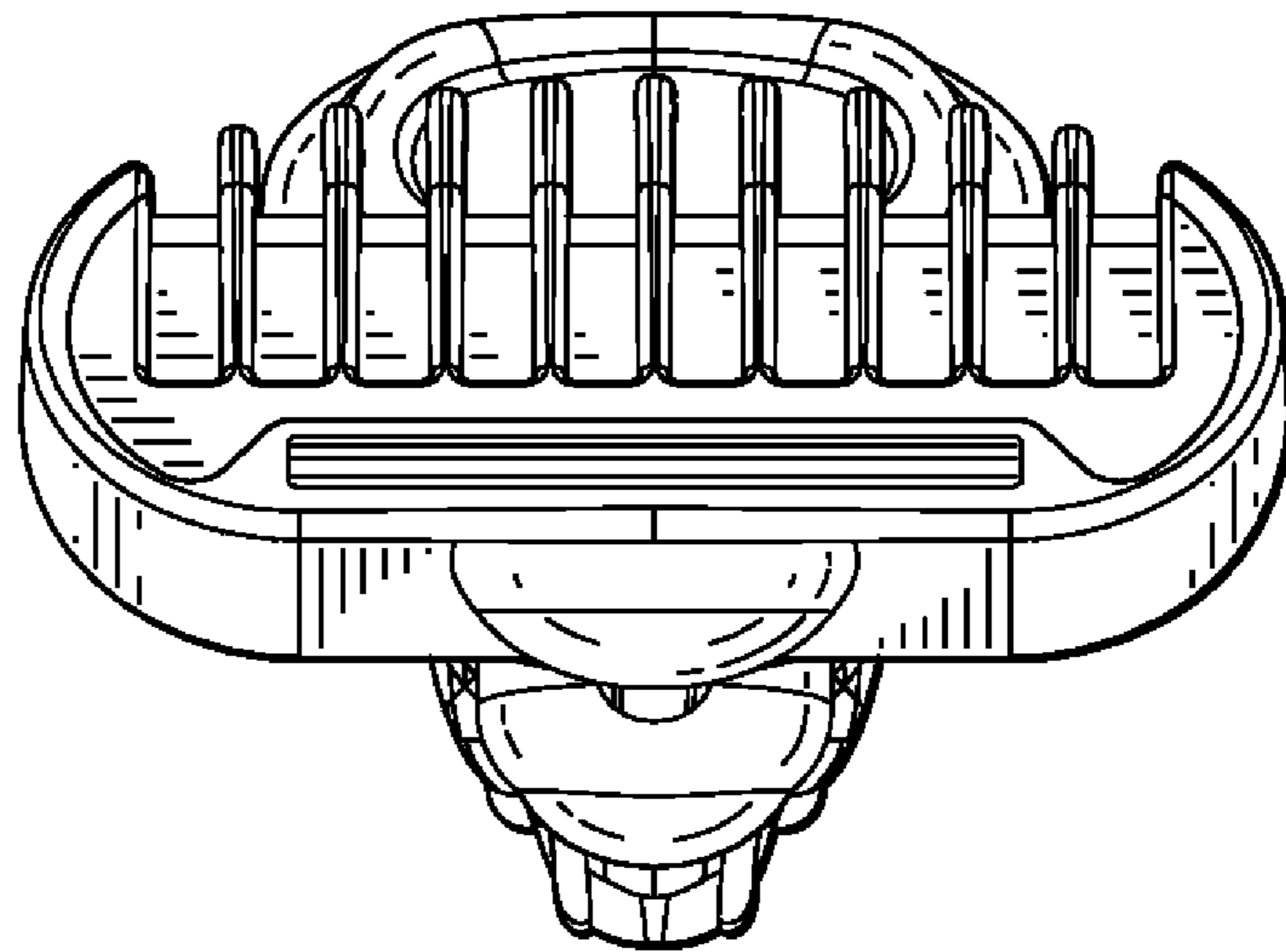


FIG. 6

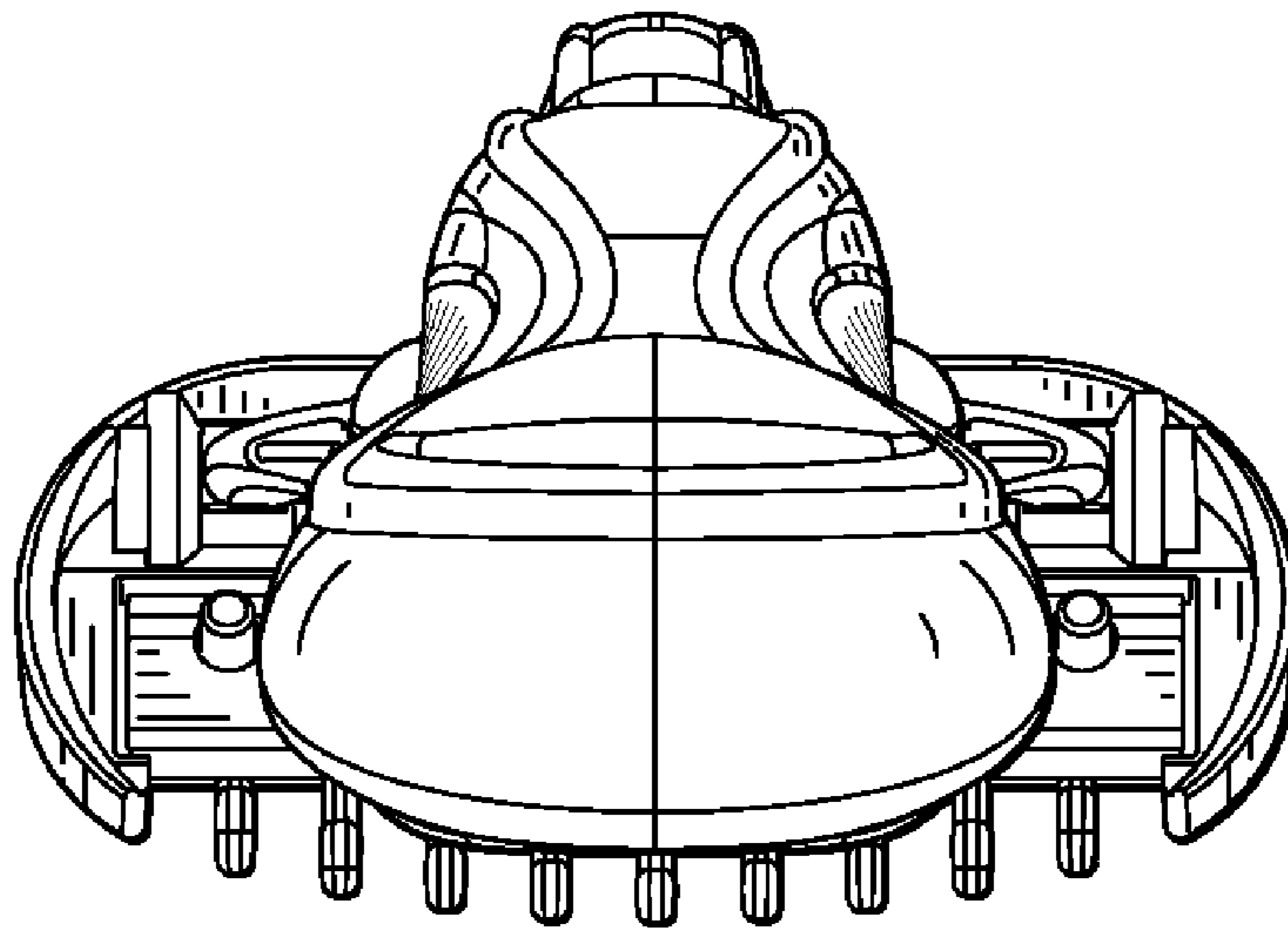


FIG. 7