



US00D616145S

(12) **United States Design Patent**  
**Boissevain**

(10) **Patent No.:** **US D616,145 S**  
(45) **Date of Patent:** **\*\* May 18, 2010**

- (54) **LUMINAIRE**
- (75) Inventor: **Chris Boissevain**, Wimberley, TX (US)
- (73) Assignee: **Koninklijke Philips Electronics N.V.**, Eindhoven (NL)
- (\*\*) Term: **14 Years**
- (21) Appl. No.: **29/340,034**
- (22) Filed: **Jul. 13, 2009**

**Related U.S. Application Data**

- (63) Continuation of application No. 29/324,550, filed on Sep. 15, 2008, now Pat. No. Des. 596,346.
- (51) **LOC (9) Cl.** ..... **26-99**
- (52) **U.S. Cl.** ..... **D26/142**
- (58) **Field of Classification Search** ..... D26/145, D26/154, 155, 142, 118, 138, 120, 92, 87, D26/71, 67, 60, 62, 63, 68, 70, 72, 80, 81, D26/85, 86, 88, 113, 140, 141, 143, 144, D26/153; D25/126, 127; 52/28, 295; 362/432, 362/443, 800, 431, 153, 153.1, 395, 401, 362/405, 410  
See application file for complete search history.

(56) **References Cited**

**U.S. PATENT DOCUMENTS**

D194,479	S	*	1/1963	Pettengill	.....	D26/71
3,183,346	A	*	5/1965	Rodmaker et al.	.....	362/218
D278,461	S	*	4/1985	Pepall	.....	D24/210
D308,730	S	*	6/1990	Nakagawa	.....	D26/107
D360,047	S	*	7/1995	Zimmerman et al.	.....	D26/67
D391,659	S	*	3/1998	Gaskins et al.	.....	D26/71
D437,959	S	*	2/2001	Lewis	.....	D26/76
D439,695	S	*	3/2001	Compton et al.	.....	D26/87
D521,172	S	*	5/2006	Chen	.....	D26/76
D531,342	S	*	10/2006	Kauffman et al.	.....	D26/68
D545,995	S	*	7/2007	Farmer	.....	D26/118
D567,425	S	*	4/2008	Yates	.....	D26/76
D568,521	S	*	5/2008	Compton	.....	D26/71
D570,025	S	*	5/2008	Walker	.....	D26/71

\* cited by examiner

*Primary Examiner*—Cathron C Brooks  
*Assistant Examiner*—Kevin K Rudzinski

(57) **CLAIM**

The ornamental design for a luminaire, as shown and described.

**DESCRIPTION**

FIG. 1 is a perspective view of a first embodiment of a luminaire showing my design;

FIG. 2 is a front elevational view thereof;

FIG. 3 is a rear elevational view thereof;

FIG. 4 is a left side elevational view thereof, a right side elevational view thereof being a mirror image of the right side elevational view;

FIG. 5 is a top plan view thereof;

FIG. 6 is a bottom plan view thereof;

FIG. 7 is a perspective view of a second embodiment of the luminaire of my design;

FIG. 8 is a left side elevational view thereof, a right side elevational view thereof being a mirror image of the right side elevational view;

FIG. 9 is a top plan view thereof;

FIG. 10 is a bottom plan view thereof;

FIG. 11 is a perspective view of a third embodiment of the luminaire of my design;

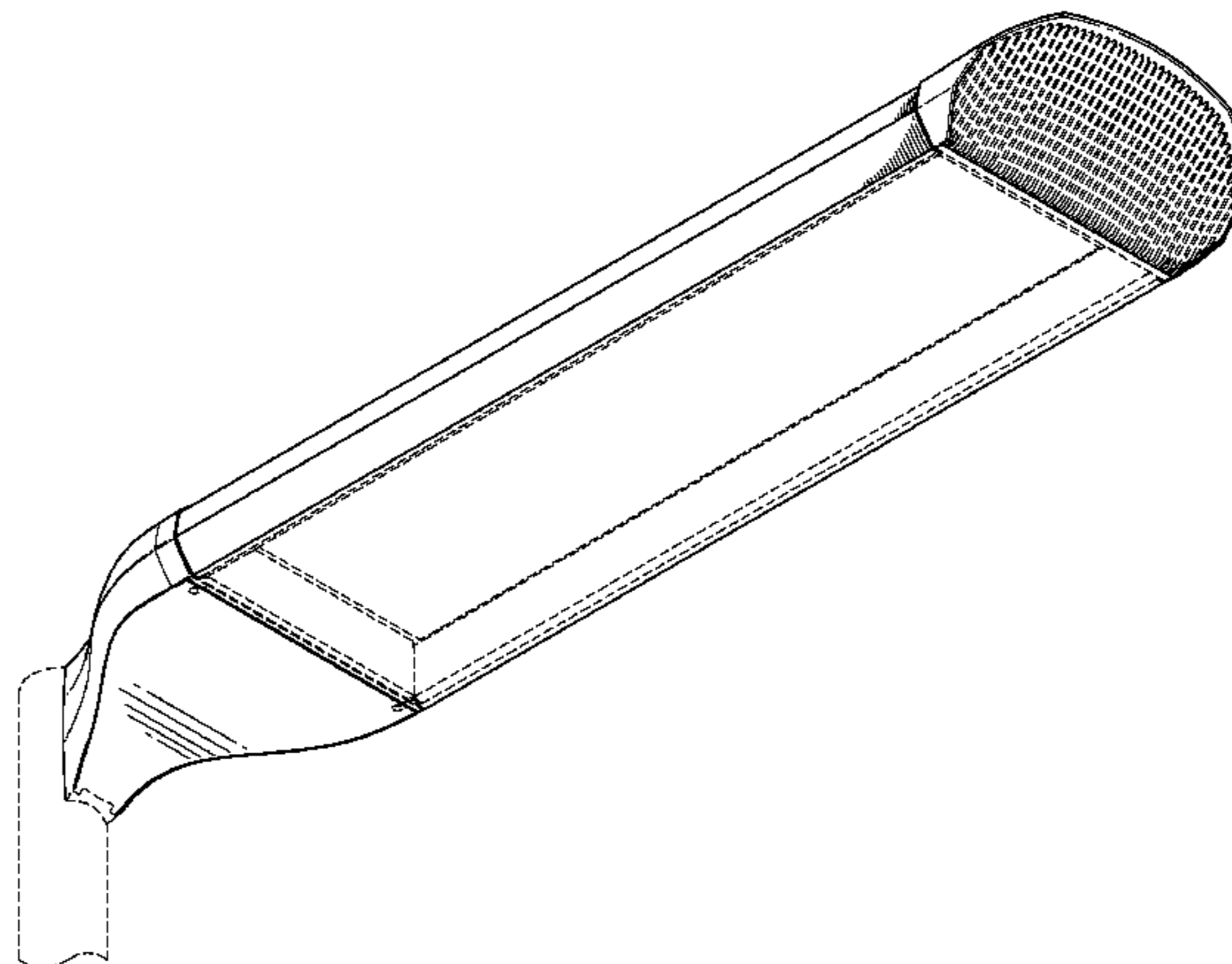
FIG. 12 is a left side elevational view thereof, a right side elevational view thereof being a mirror image of the right side elevational view;

FIG. 13 is a top plan view thereof; and,

FIG. 14 is a bottom plan view thereof.

The broken lines showing environmental structure are for illustrative purposes only and form no part of the claimed design. It is understood that the front and rear views of the second and third embodiment are identical to the front and rear views of the first embodiment.

**1 Claim, 13 Drawing Sheets**



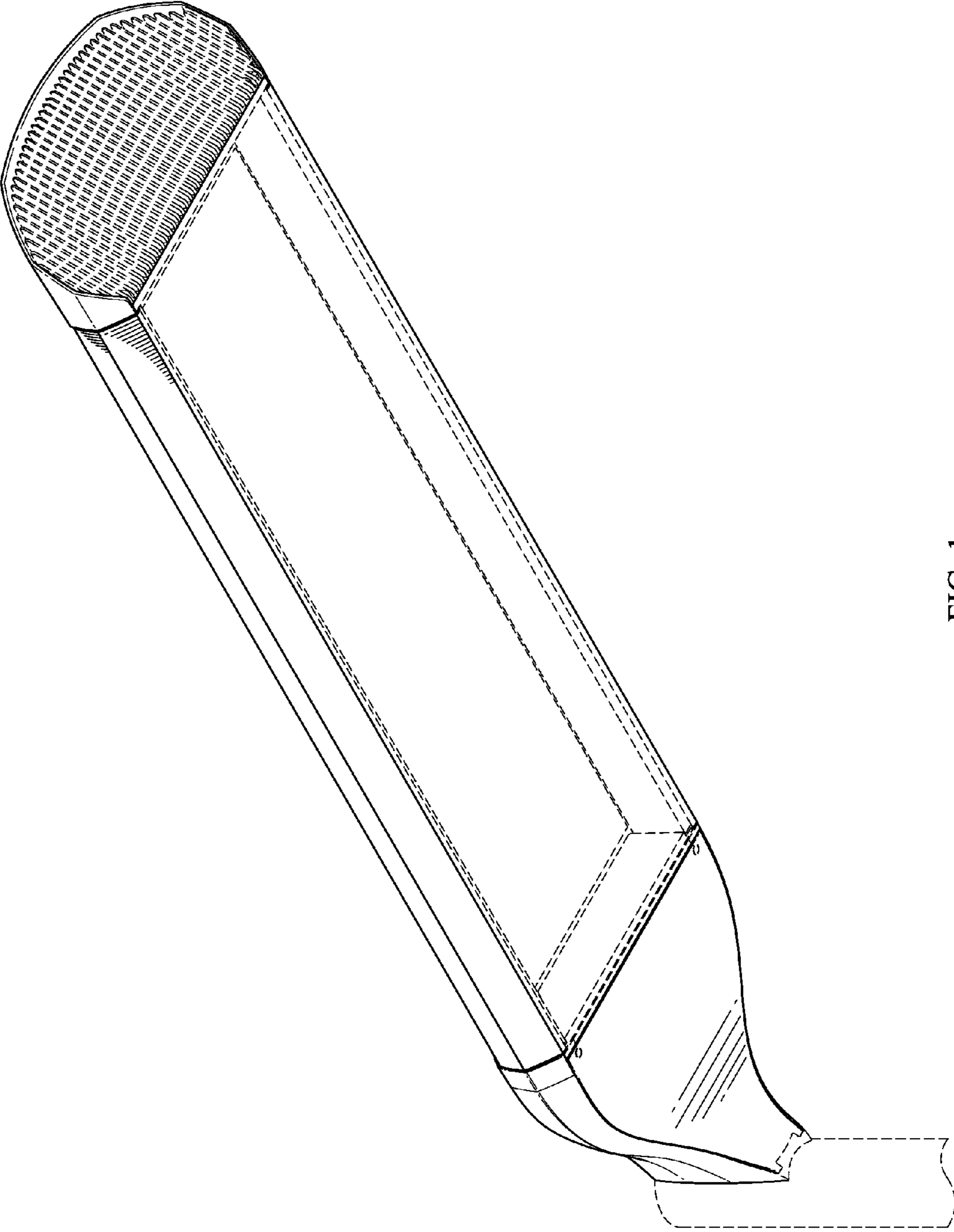


FIG. 1

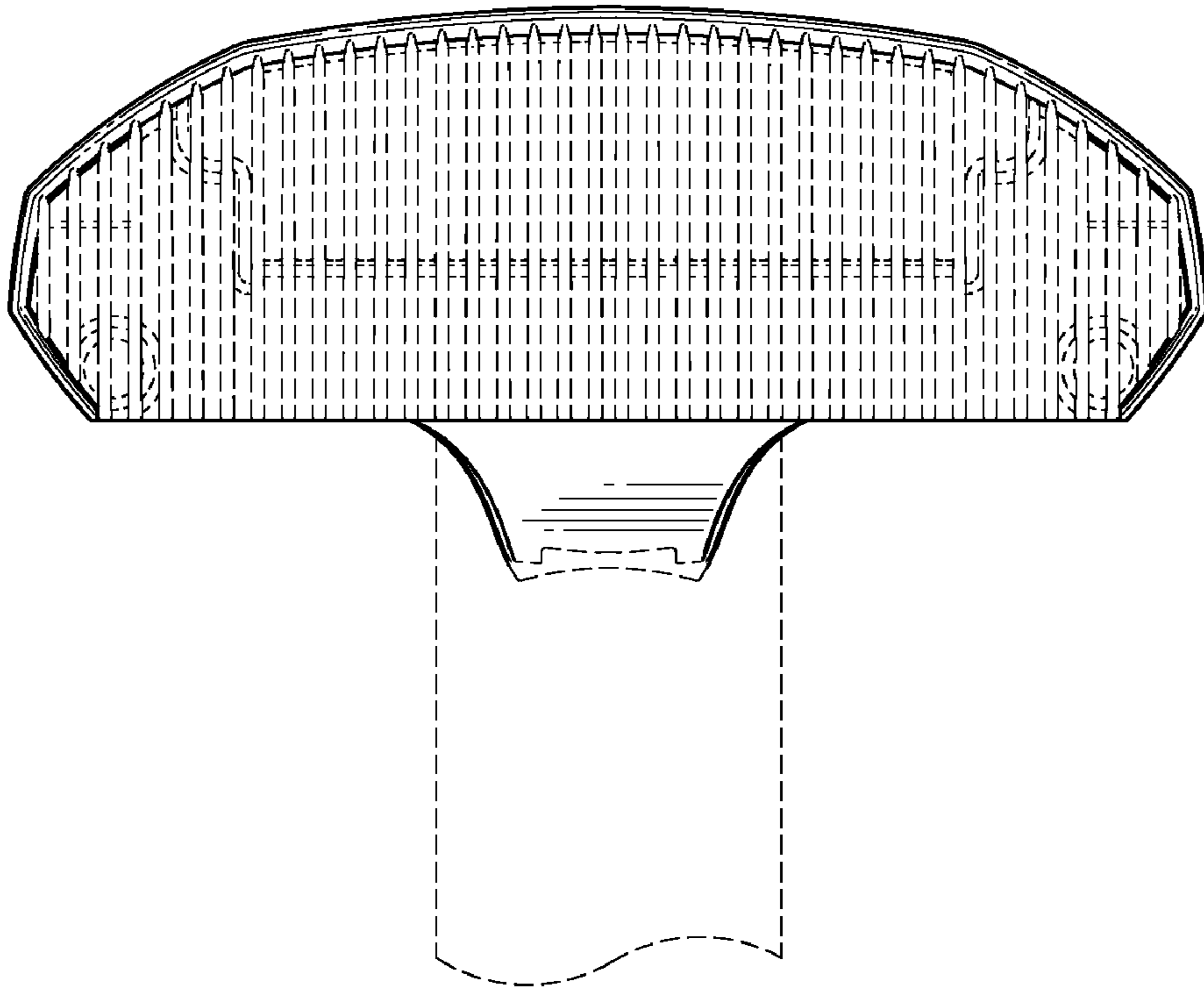


FIG. 2

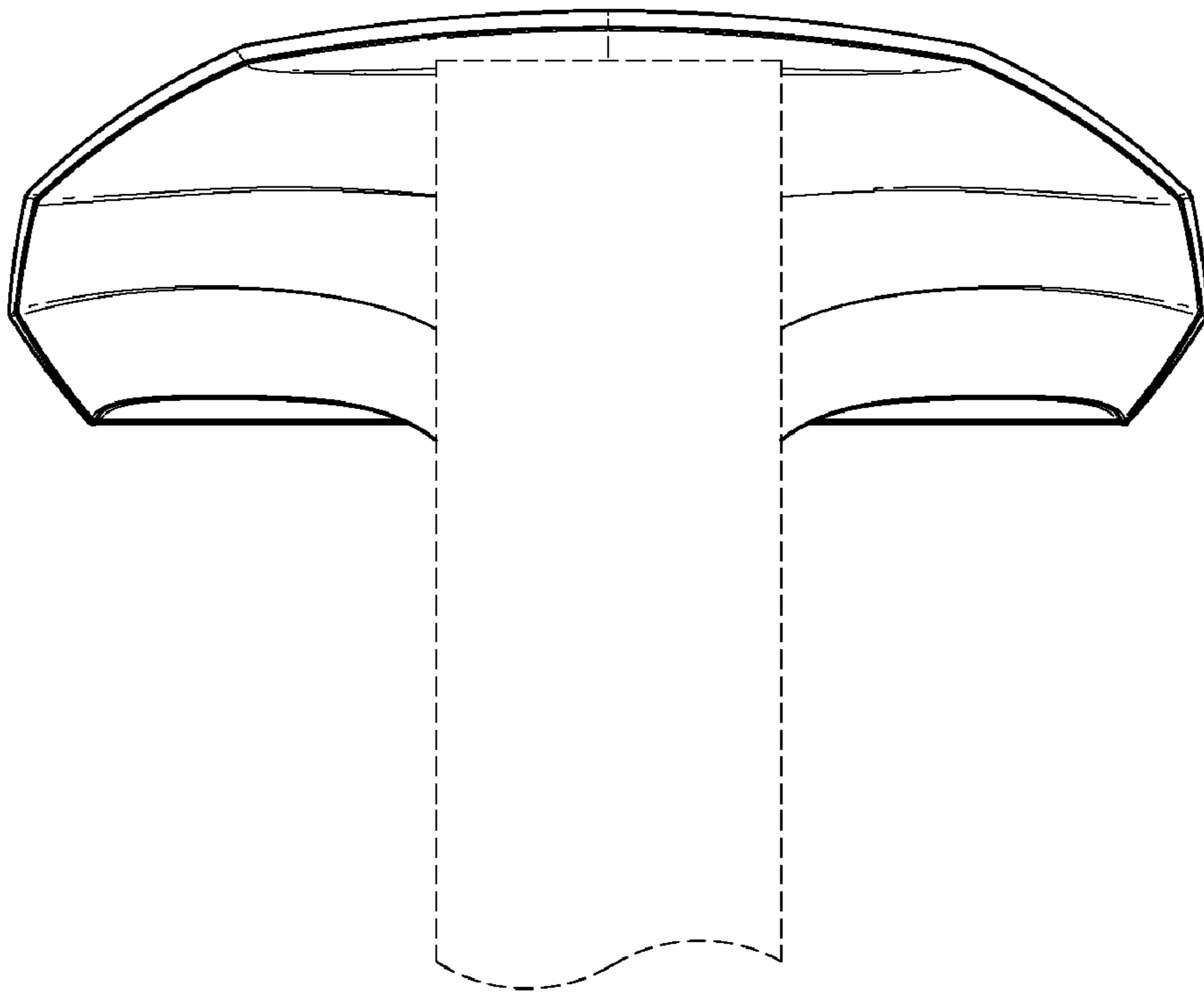


FIG. 3

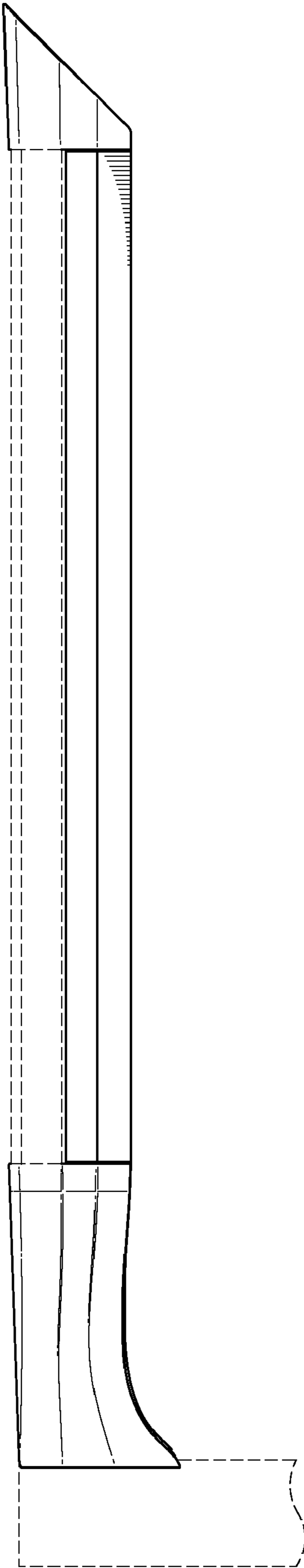


FIG. 4

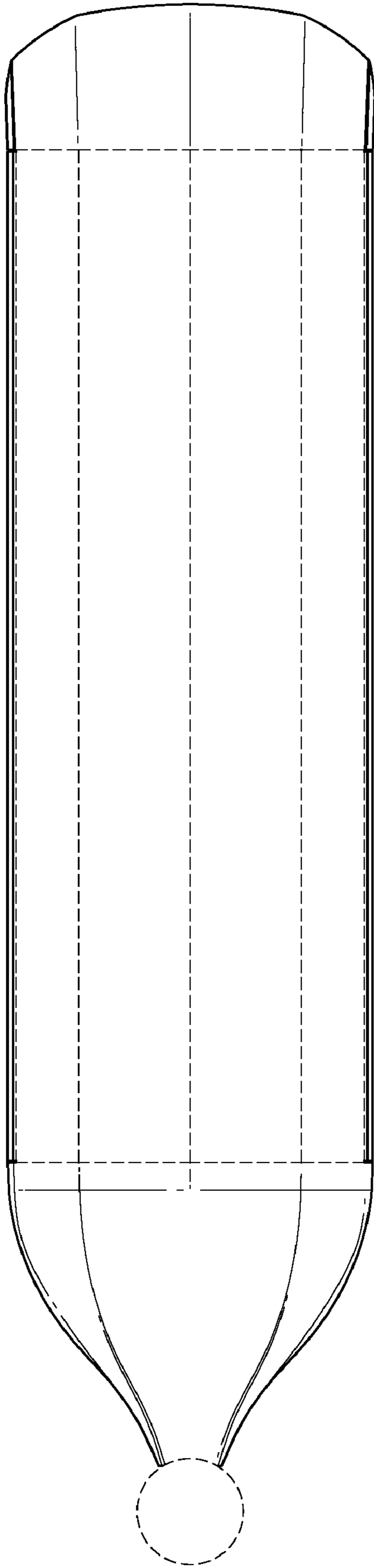


FIG. 5

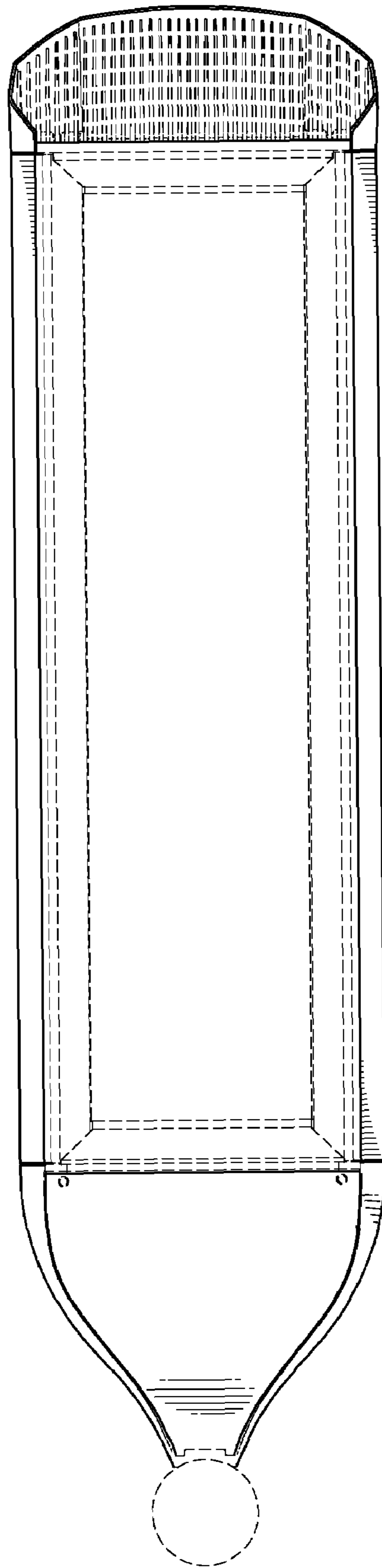


FIG. 6

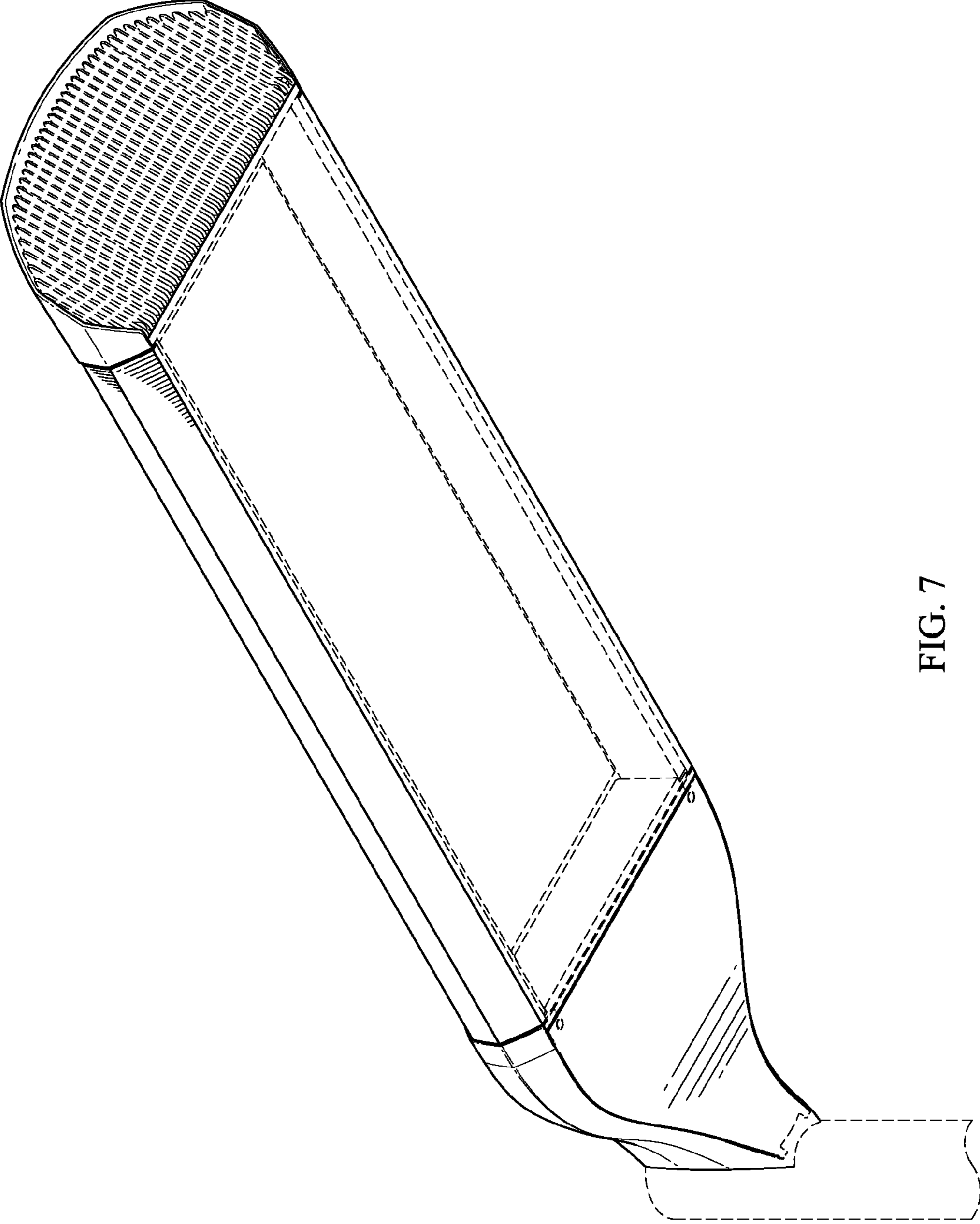


FIG. 7

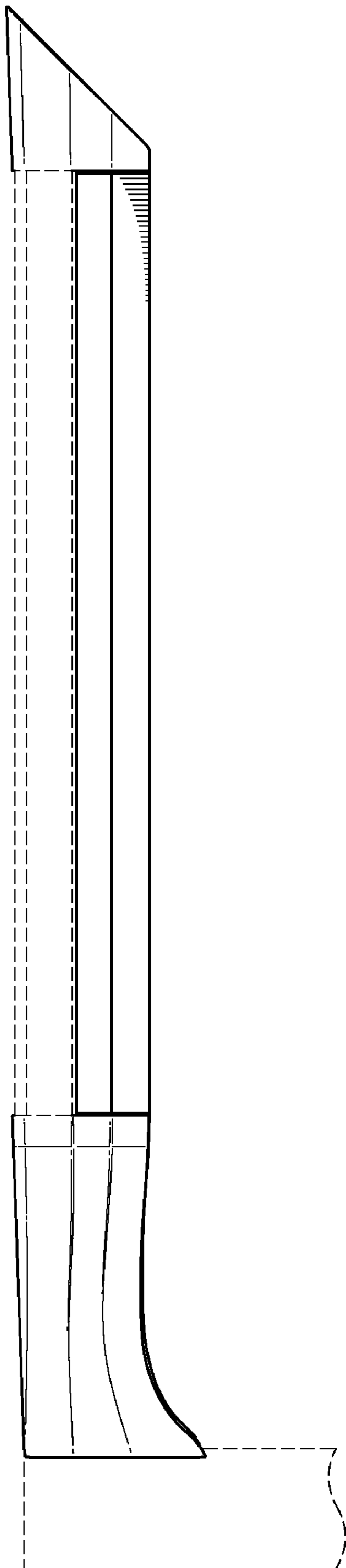


FIG. 8



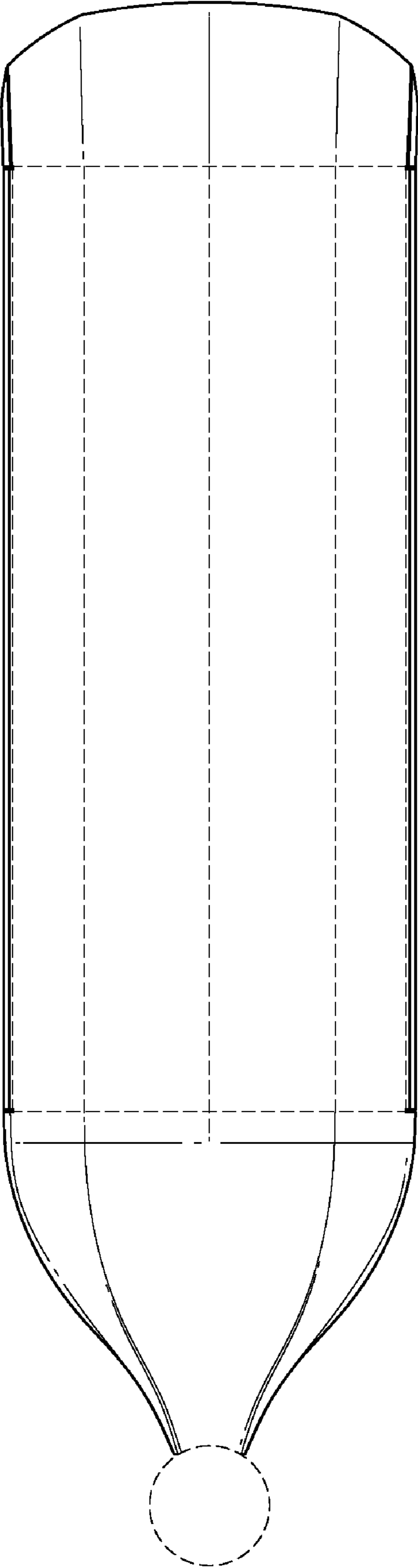


FIG. 9

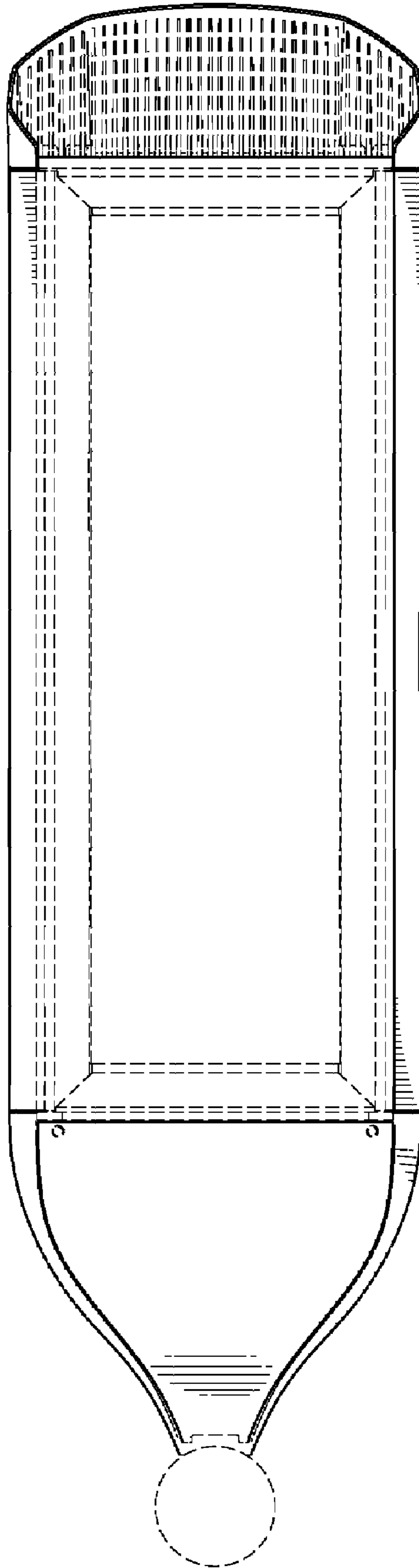


FIG. 10

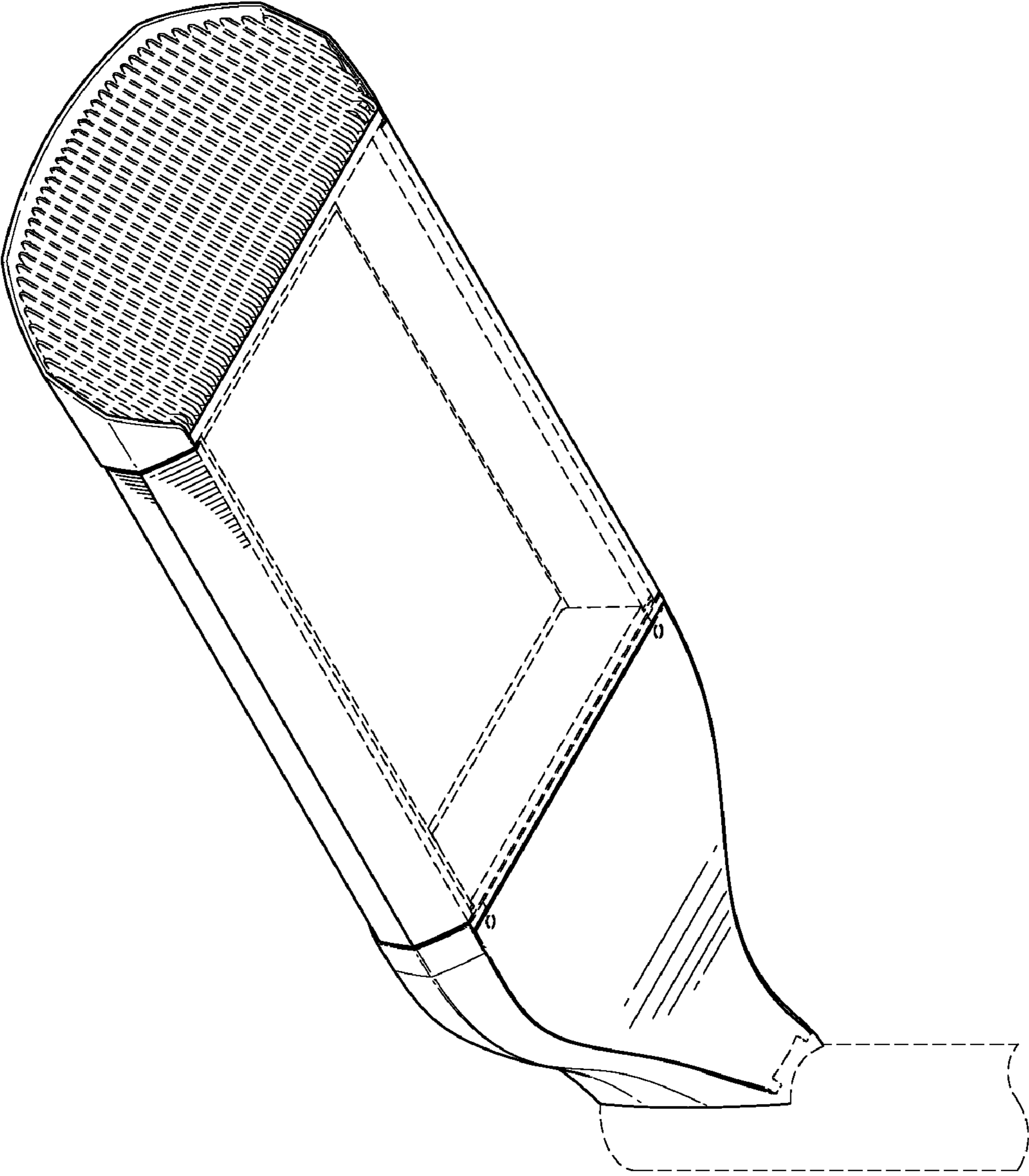


FIG. 11

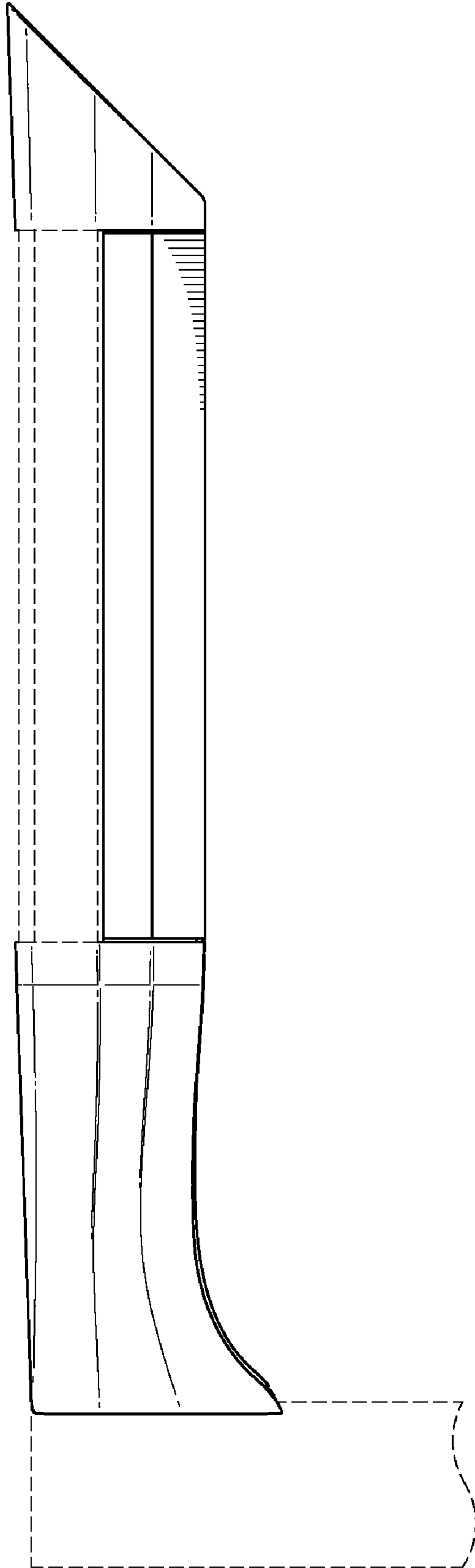


FIG. 12

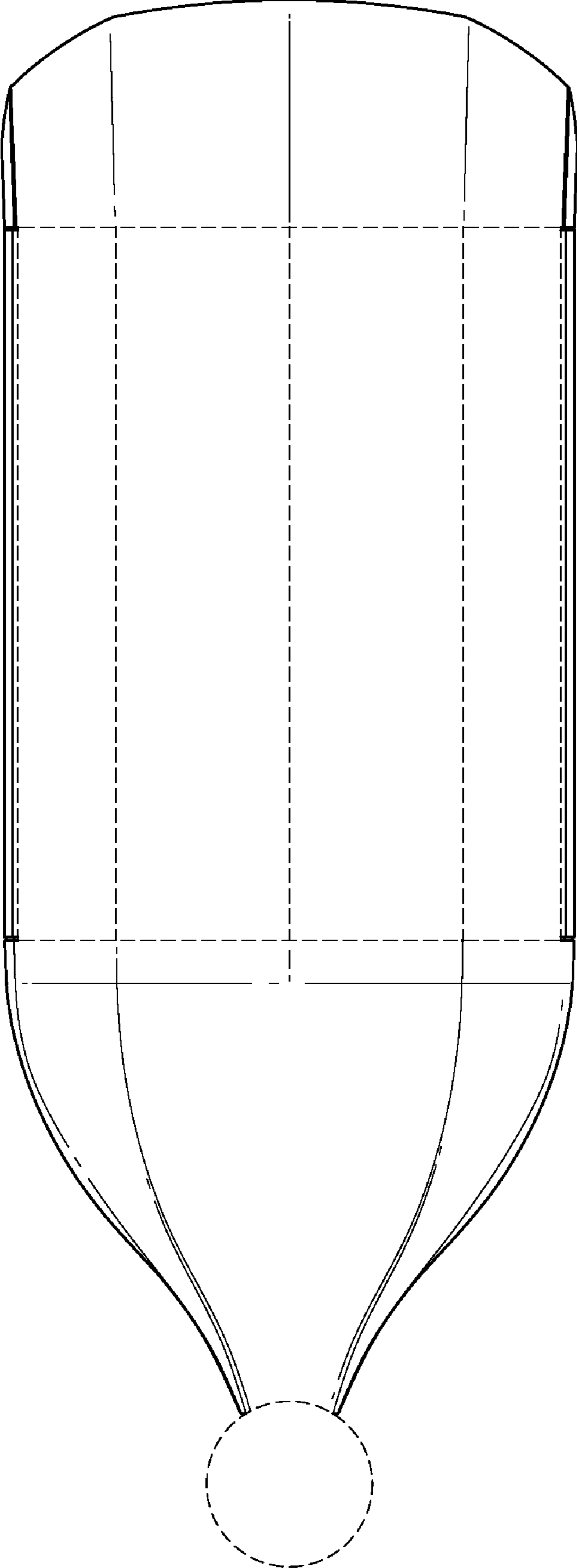


FIG. 13

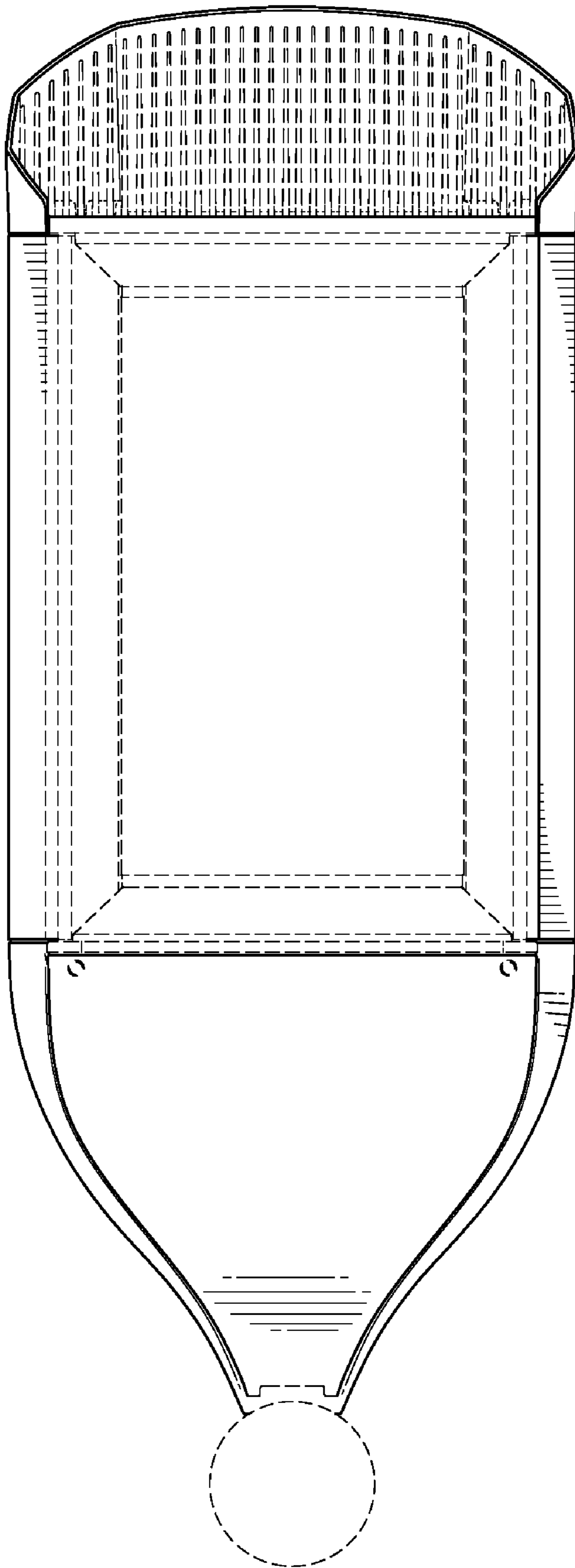


FIG. 14