



US00D616144S

(12) **United States Design Patent**
Webb

(10) **Patent No.:** **US D616,144 S**

(45) **Date of Patent:** **** May 18, 2010**

(54) **LIGHT KIT COMPONENT**

(75) Inventor: **Alan Clark Webb**, Grenada, MS (US)

(73) Assignee: **Hunter Fan Company**, Memphis, TN (US)

(**) Term: **14 Years**

(21) Appl. No.: **29/336,909**

(22) Filed: **May 12, 2009**

(51) **LOC (9) Cl.** **26-99**

(52) **U.S. Cl.** **D26/138**

(58) **Field of Classification Search** 206/420;
D8/355; 362/371, 2, 5, 7, 10, 11, 14, 16,
362/18, 553, 555, 37, 39, 418, 424, 40, 102,
362/220, 259, 269, 277, 282, 285, 287, 425,
362/427, 429, 430, 404, 294, 235, 304; 16/367,
16/337, 340; 248/278.1; D14/452; D10/114;
D26/44, 60, 61, 63, 64, 65, 66, 113, 138,
D26/140, 141, 142, 152, 155, 120, 122

See application file for complete search history.

(56) **References Cited**

U.S. PATENT DOCUMENTS

1,779,634	A *	10/1930	Neuner	206/420
2,138,579	A *	11/1938	Hollins et al.	362/240
4,342,073	A *	7/1982	Ranten	362/294
4,600,101	A *	7/1986	Naia	206/422
4,758,181	A *	7/1988	Reedy	439/546
5,557,207	A *	9/1996	Duve	324/414
7,036,949	B2 *	5/2006	Srass et al.	362/96

7,150,544	B2	12/2006	Pearce et al.	362/404
7,384,163	B2	6/2008	Yang	362/95
7,556,520	B2	7/2009	Minami et al.	439/336

OTHER PUBLICATIONS

scanned photo of Westinghouse's Light Kit component for a ceiling fan; 2005.

scanned photo of Hunter Fan Company's Light Kit component for a ceiling fan; 2005.

* cited by examiner

Primary Examiner—Cathron C Brooks

Assistant Examiner—Kevin K Rudzinski

(74) *Attorney, Agent, or Firm*—Baker Donelson

(57) **CLAIM**

The ornamental design for a light kit component, as shown and described.

DESCRIPTION

FIG. 1 is a perspective view of a light kit component showing my new design.

FIG. 2 is a rear view thereof.

FIG. 3 is a front view thereof.

FIG. 4 is a left side view thereof.

FIG. 5 is a right side view thereof.

FIG. 6 is a top view thereof; and,

FIG. 7 is a bottom view thereof.

The features shown in broken lines depict portions of the light kit component that form no part of the claimed design.

1 Claim, 7 Drawing Sheets

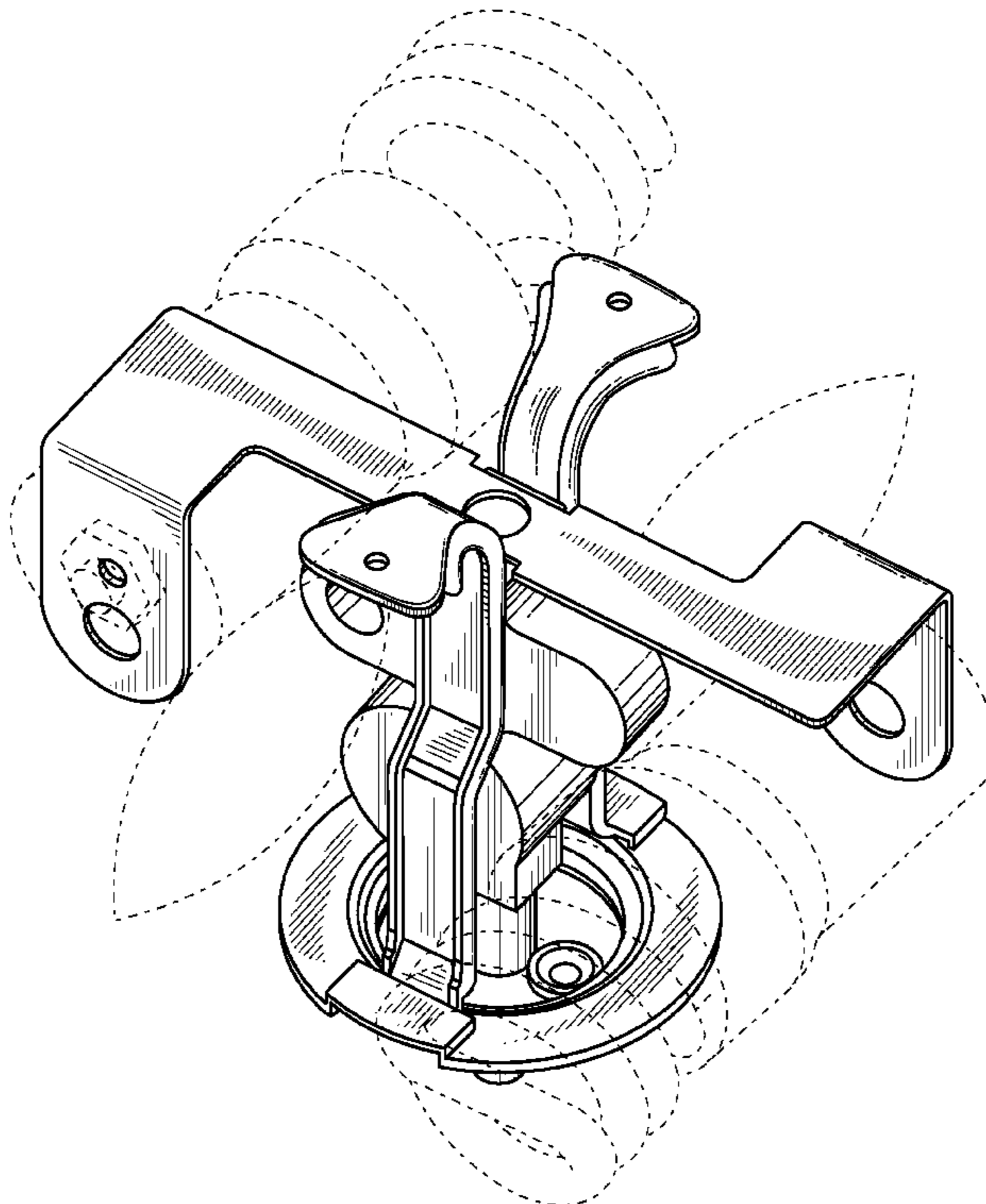


Fig. 1

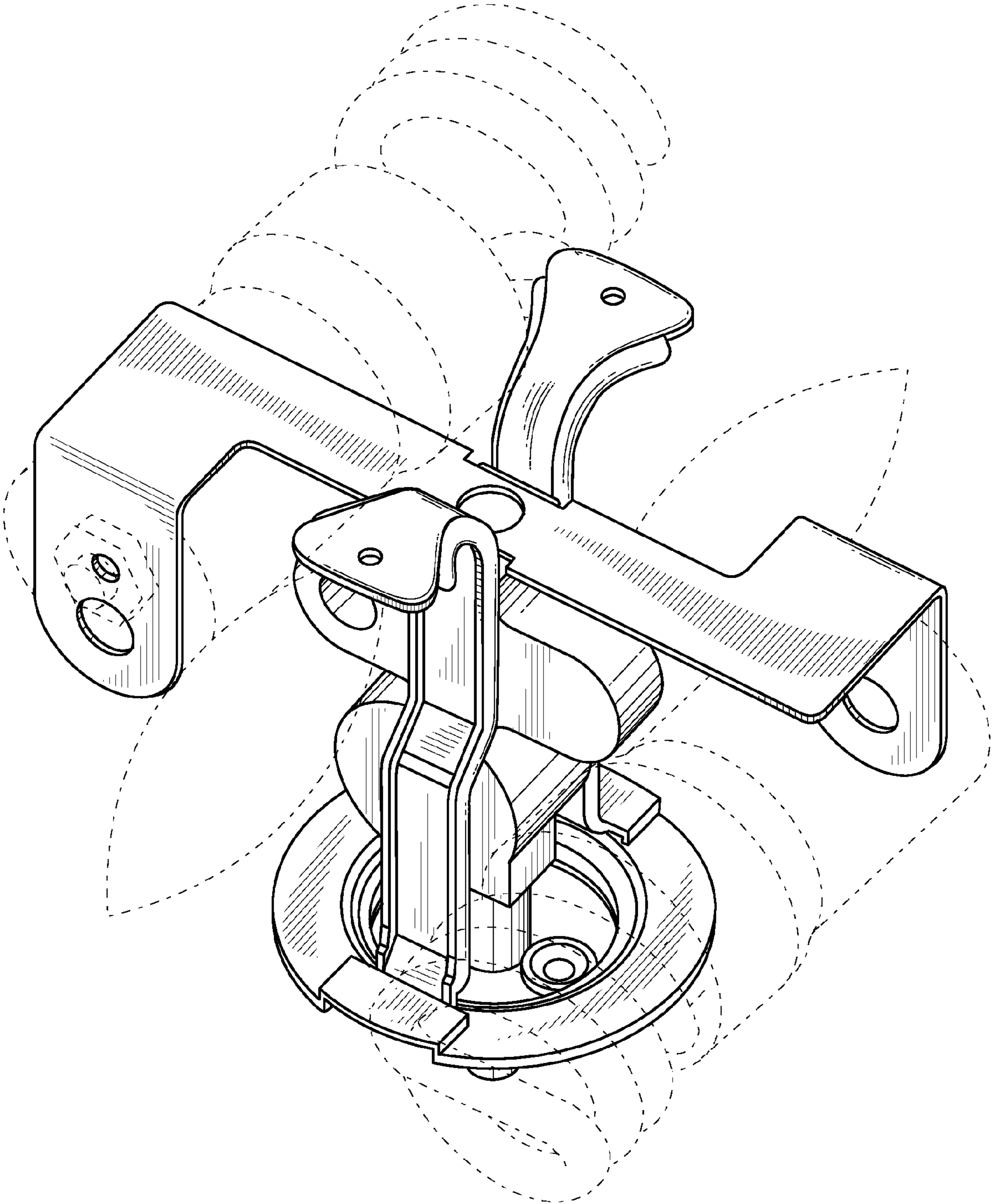


Fig. 2

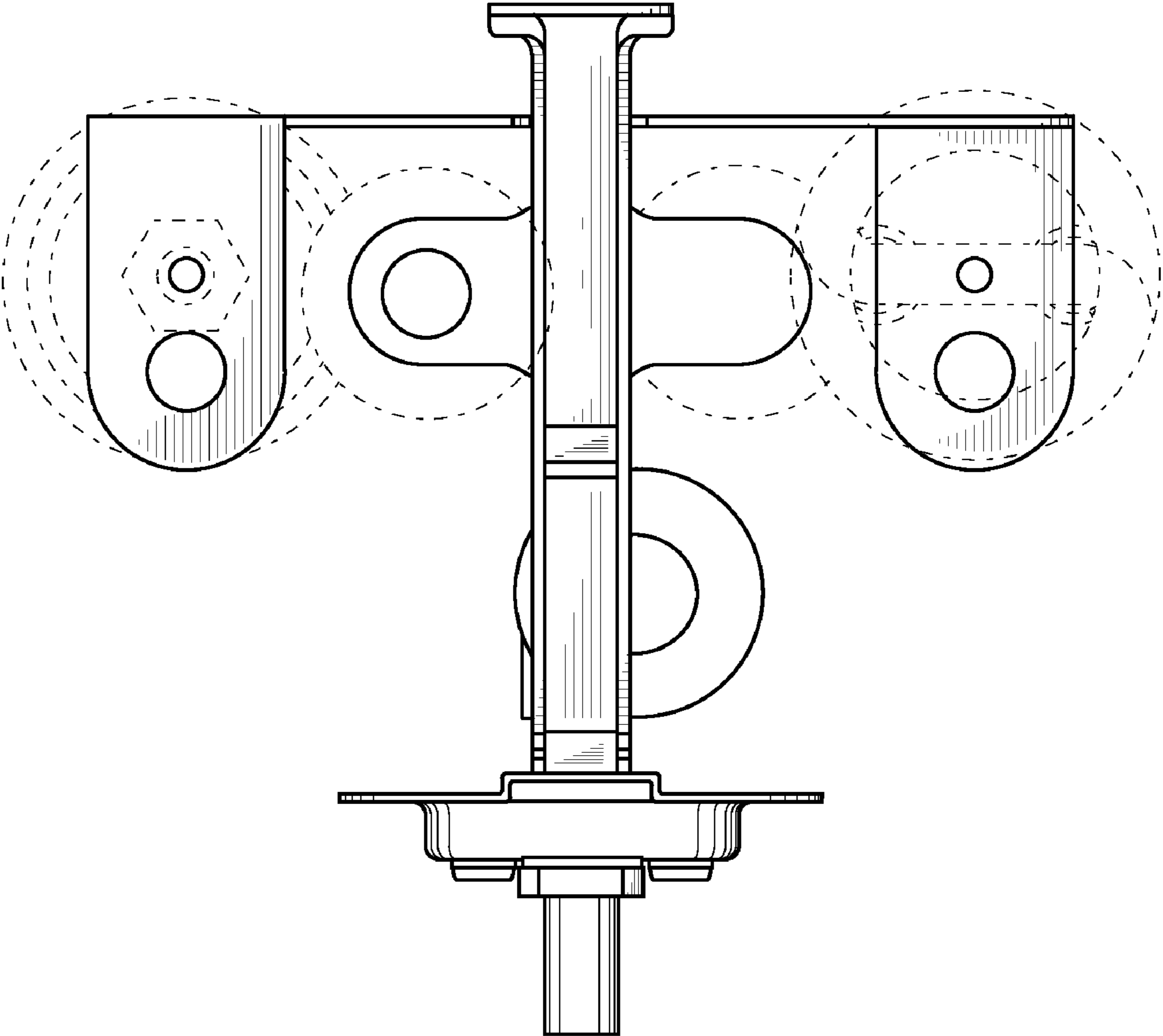


Fig. 3

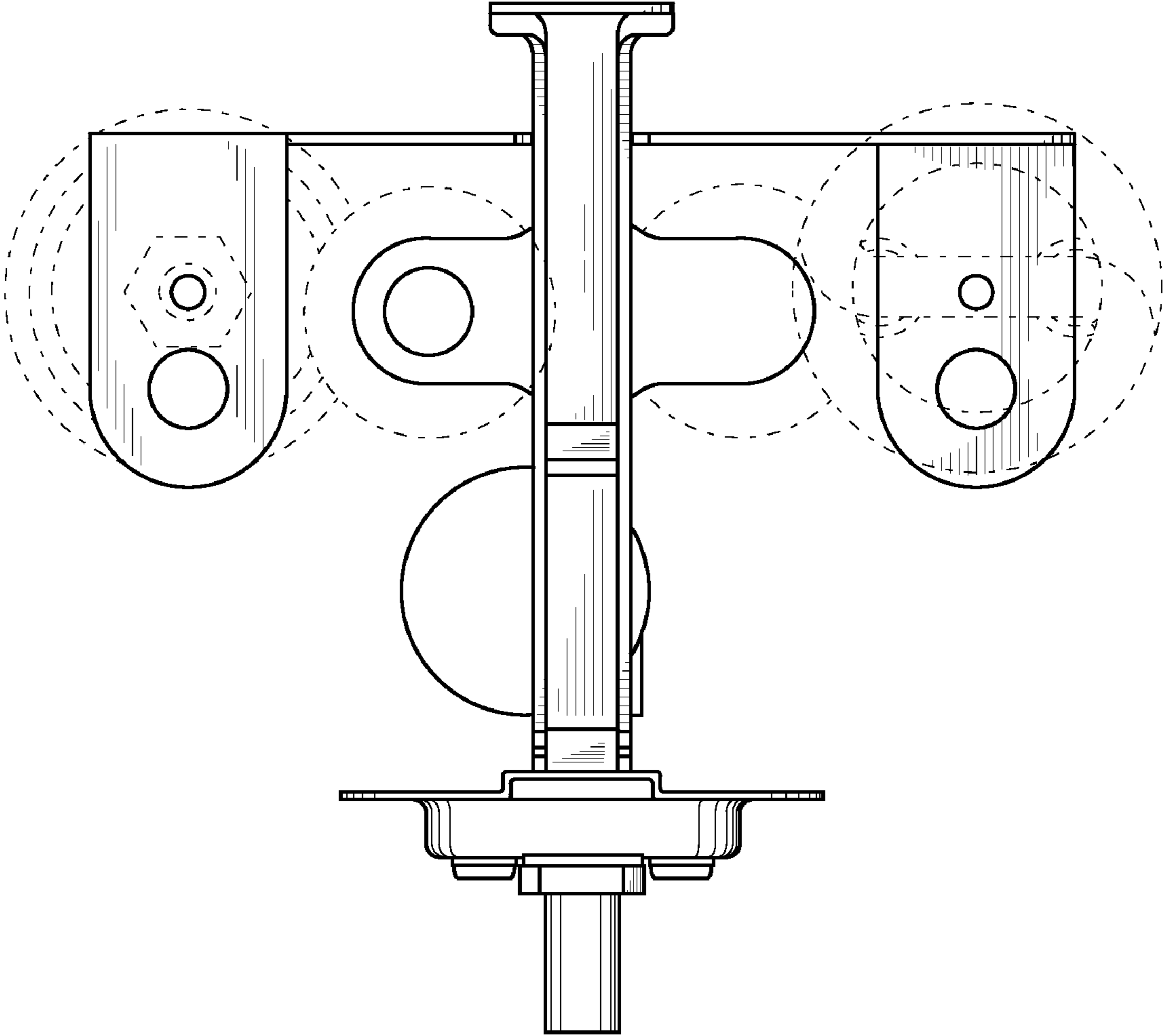


Fig. 4

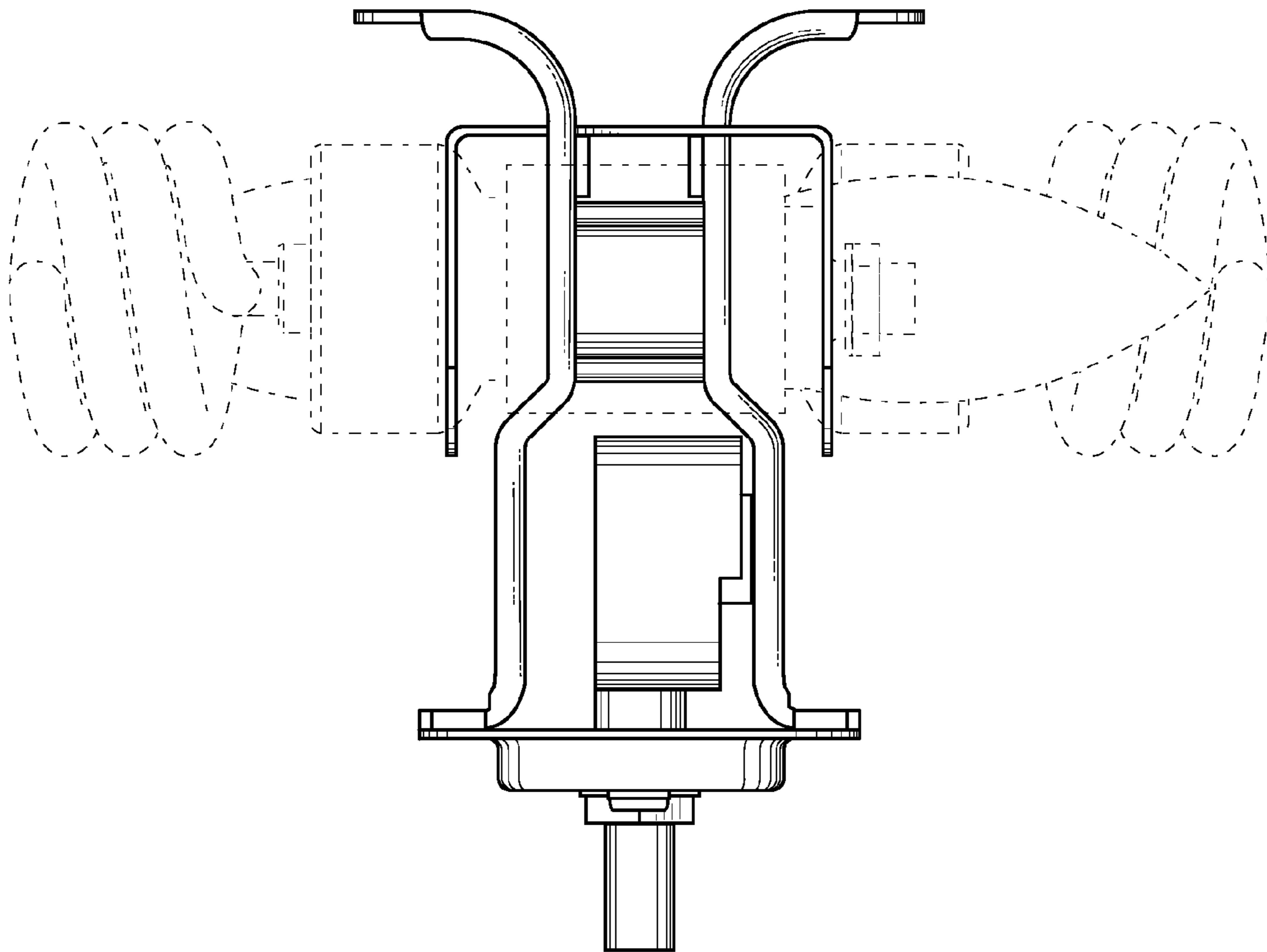


Fig. 5

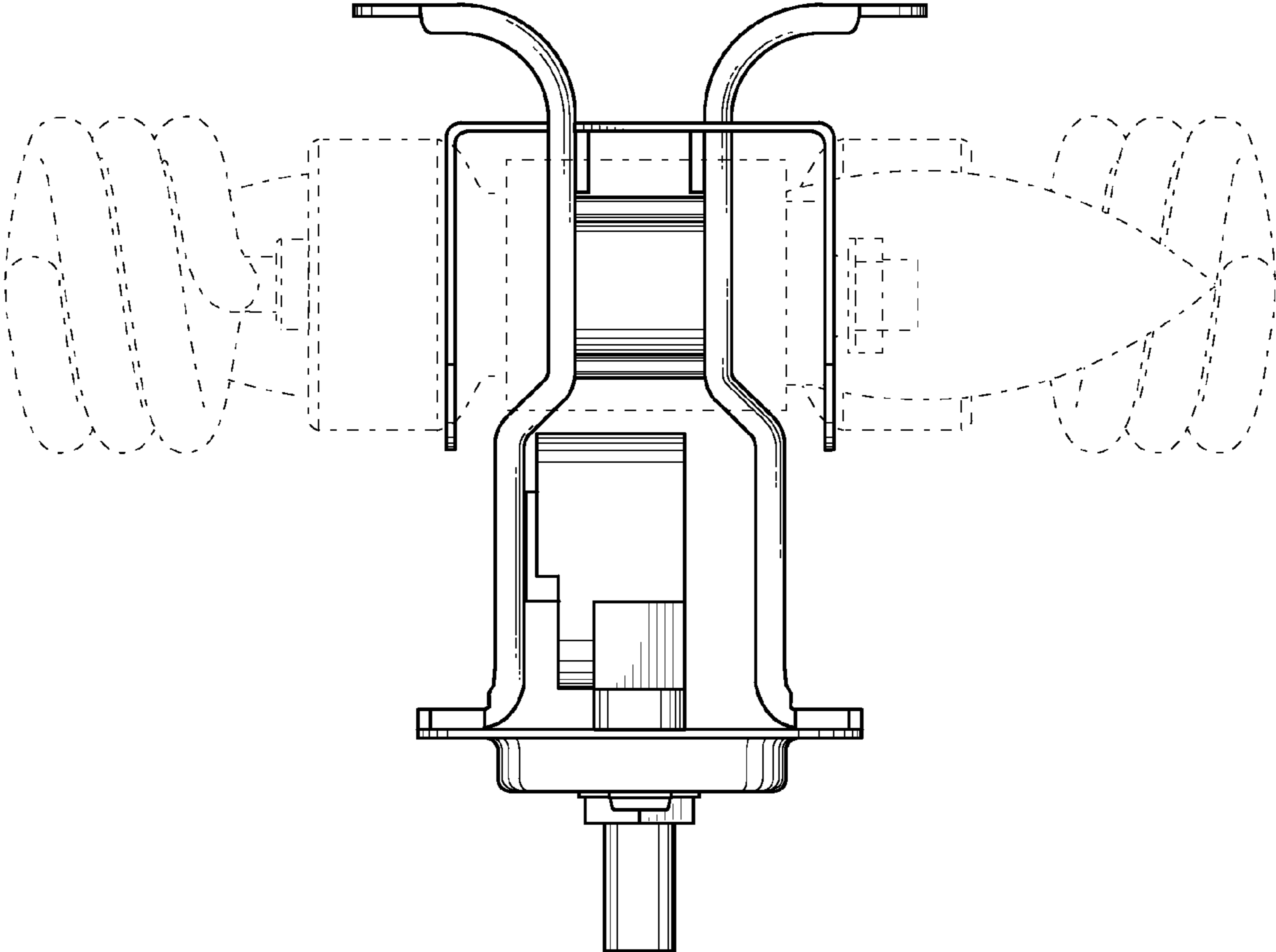


Fig. 6

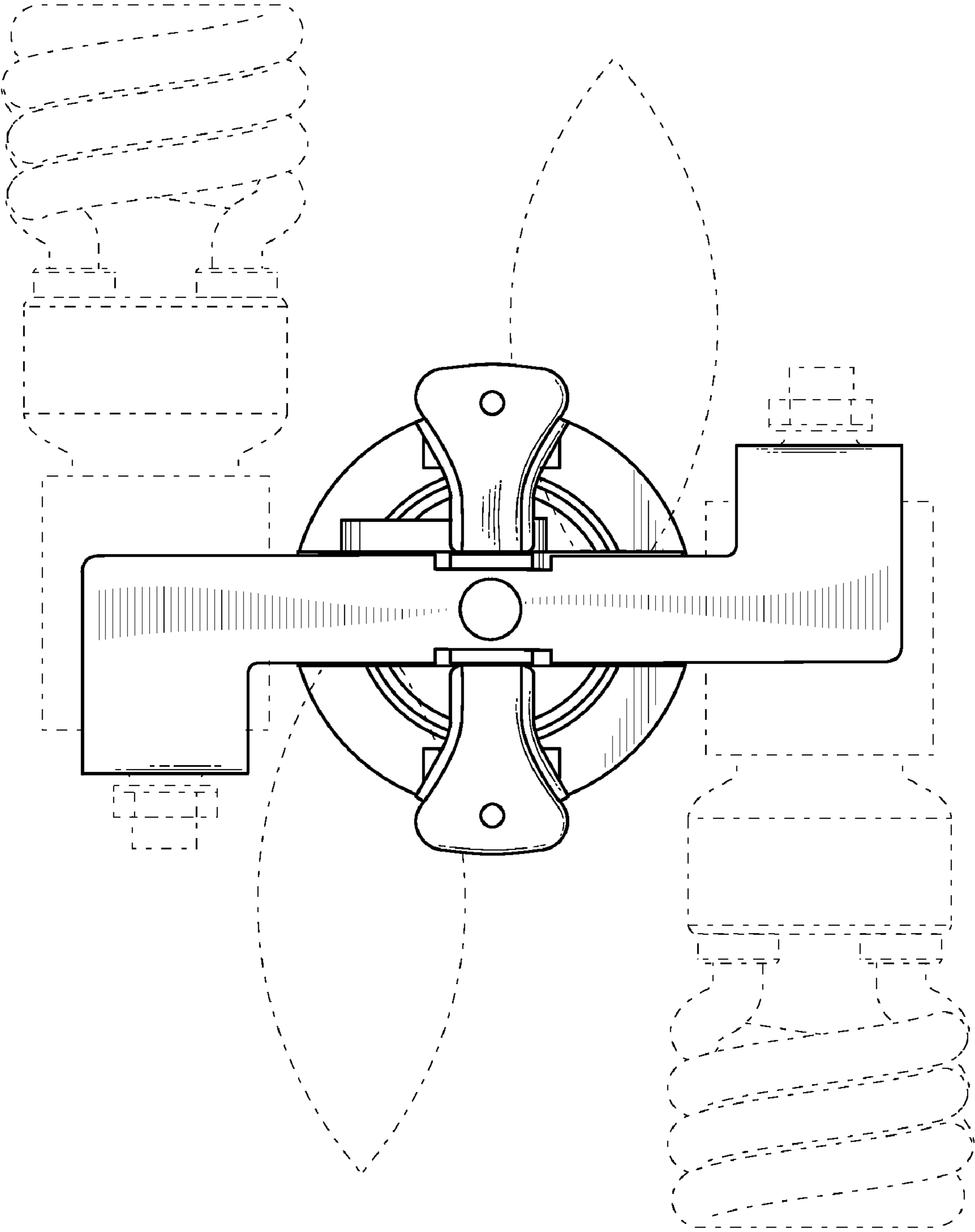


Fig. 7

