



US00D616143S

(12) **United States Design Patent**  
**Hodgson**

(10) **Patent No.:** **US D616,143 S**

(45) **Date of Patent:** **\*\* May 18, 2010**

(54) **LAMP STAND**

(75) Inventor: **Fraser Milbourne Hodgson**, London  
(GB)

(73) Assignee: **The Daylight Company (Holdings)**  
**Limited** (GB)

(\*\*) Term: **14 Years**

(21) Appl. No.: **29/322,570**

(22) Filed: **Aug. 7, 2008**

(30) **Foreign Application Priority Data**

Aug. 2, 2008 (EM) ..... 000878160-0005

(51) **LOC (9) Cl.** ..... **26-99**

(52) **U.S. Cl.** ..... **D26/138**

(58) **Field of Classification Search** ..... D6/366,  
D6/498, 495; 135/16; D34/5, 17, 27; D24/128,  
D24/209, 210; 362/410, 416, 801, 804, 319,  
362/344, 345, 376, 396, 102, 145, 147, 219,  
362/647; D26/145, 150, 120, 128, 129, 138,  
D26/140, 141, 142, 151, 154, 108, 109, 110,  
D26/111, 112, 113, 118, 119, 155, 92, 93,  
D26/102, 103, 104, 106, 107, 42, 24, 60,  
D26/61, 62, 63, 64, 65, 66, 67, 68, 71, 72,  
D26/75, 76, 80, 81, 83, 85, 86, 87, 88, 89,  
D26/90; 607/88

See application file for complete search history.

(56) **References Cited**

**U.S. PATENT DOCUMENTS**

1,774,264 A \* 8/1930 Goodrich ..... 248/413  
D86,663 S \* 4/1932 Bunzl ..... D24/210  
D105,508 S \* 8/1937 Andres ..... D24/210  
2,553,094 A \* 5/1951 Jarrett et al. .... 362/322  
D170,925 S \* 11/1953 Kaveckas ..... D24/210  
D183,238 S \* 7/1958 Branick ..... D24/210  
D226,021 S \* 1/1973 Haft ..... D24/210  
D268,287 S \* 3/1983 Boschetti ..... D24/210  
4,744,019 A \* 5/1988 Krogsrud ..... 362/402  
5,641,223 A \* 6/1997 Rustebakke ..... 362/122

6,086,228 A \* 7/2000 McGowan et al. .... 362/396  
6,213,626 B1 \* 4/2001 Qian ..... 362/413  
D505,207 S \* 5/2005 Waldmann ..... D24/210  
D509,300 S \* 9/2005 Muller ..... D24/209  
D539,956 S \* 4/2007 Rose et al. .... D26/61  
7,400,459 B2 \* 7/2008 Welch ..... 359/802  
7,438,719 B2 \* 10/2008 Chung et al. .... 607/88

\* cited by examiner

*Primary Examiner*—Cathron C Brooks

*Assistant Examiner*—Kevin K Rudzinski

(74) *Attorney, Agent, or Firm*—Lawrence E. Laubscher, Jr.

(57) **CLAIM**

The ornamental design for a lamp stand, as shown and described.

**DESCRIPTION**

FIG. 1 is a front perspective view of the lamp stand illustrating my design;

FIG. 2 is a front elevation view thereof;

FIG. 3 is a rear elevation view thereof;

FIG. 4 is a left side elevation view thereof;

FIG. 5 is a right side elevation view thereof;

FIG. 6 is a top plan view thereof;

FIG. 7 is a bottom plan view thereof;

FIG. 8 is an enlarged top plan view of the head portion shown in FIG. 6, shown separately for clarity of illustration;

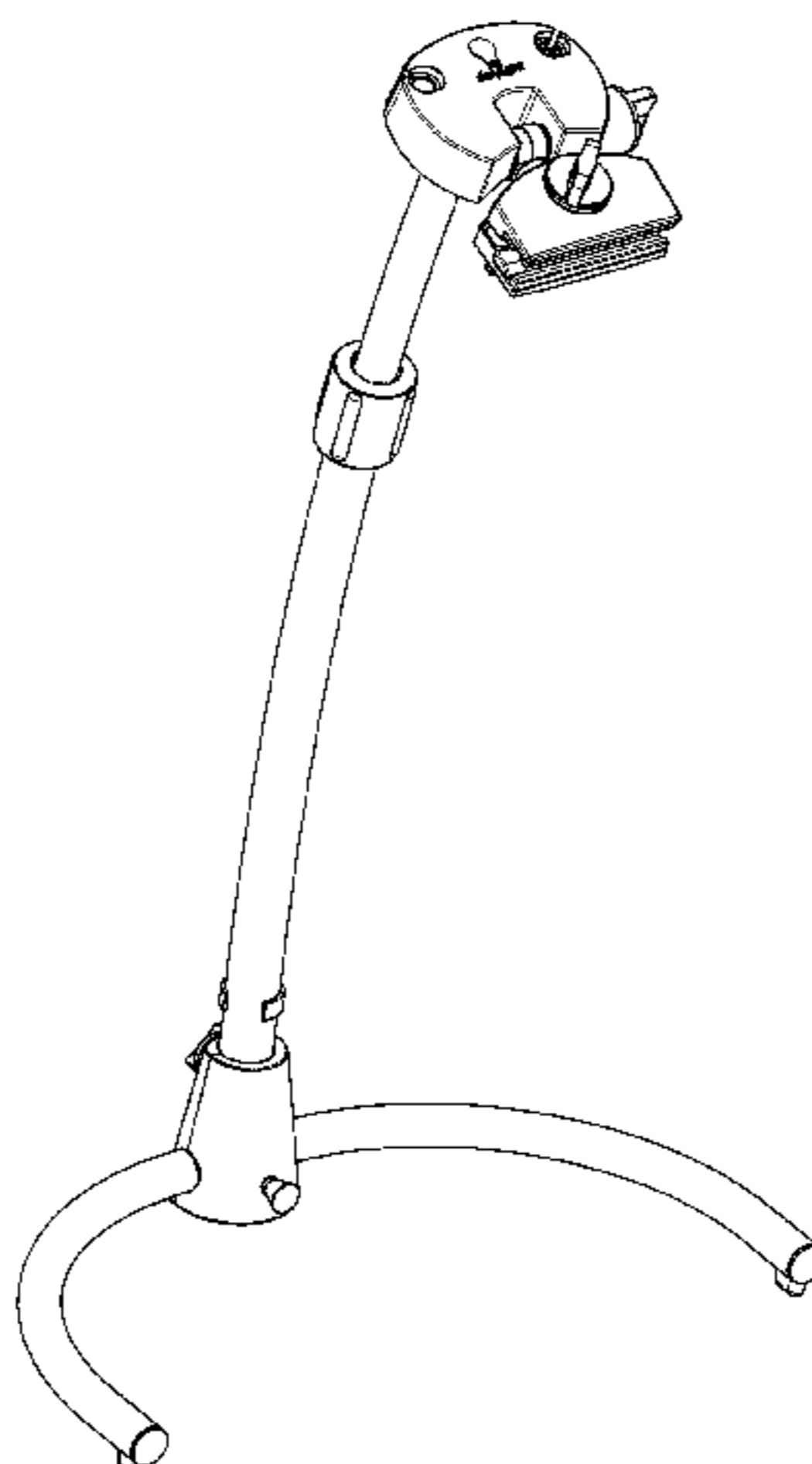
FIG. 9 is an enlarged bottom plan view of the head portion shown in FIG. 7, shown separately for clarity of illustration;

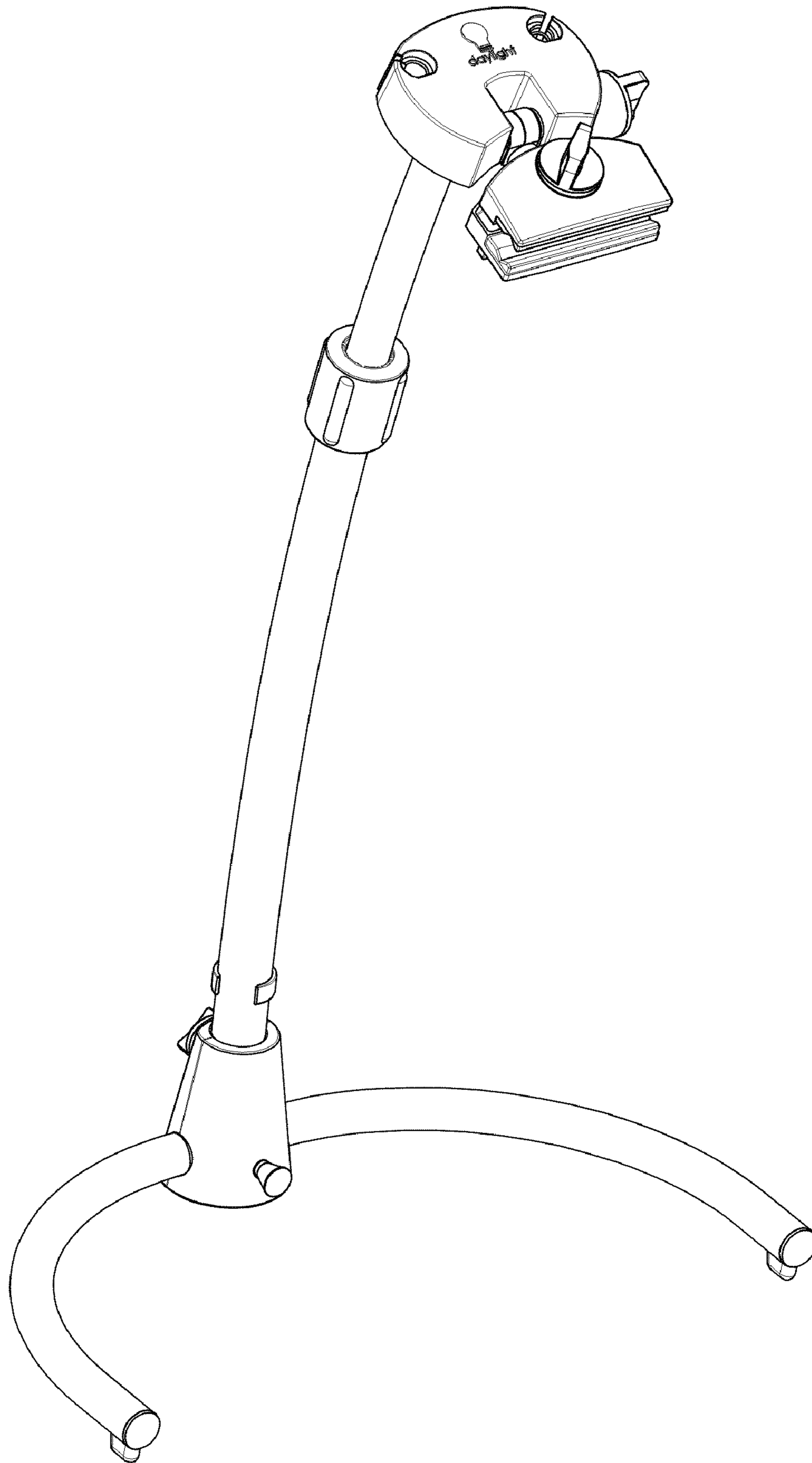
FIG. 10 is an enlarged front elevation view of the head portion shown in FIG. 2, shown separately for clarity of illustration;

FIG. 11 is an enlarged right side elevation view of the head portion shown in FIG. 5, shown separately for clarity of illustration; and,

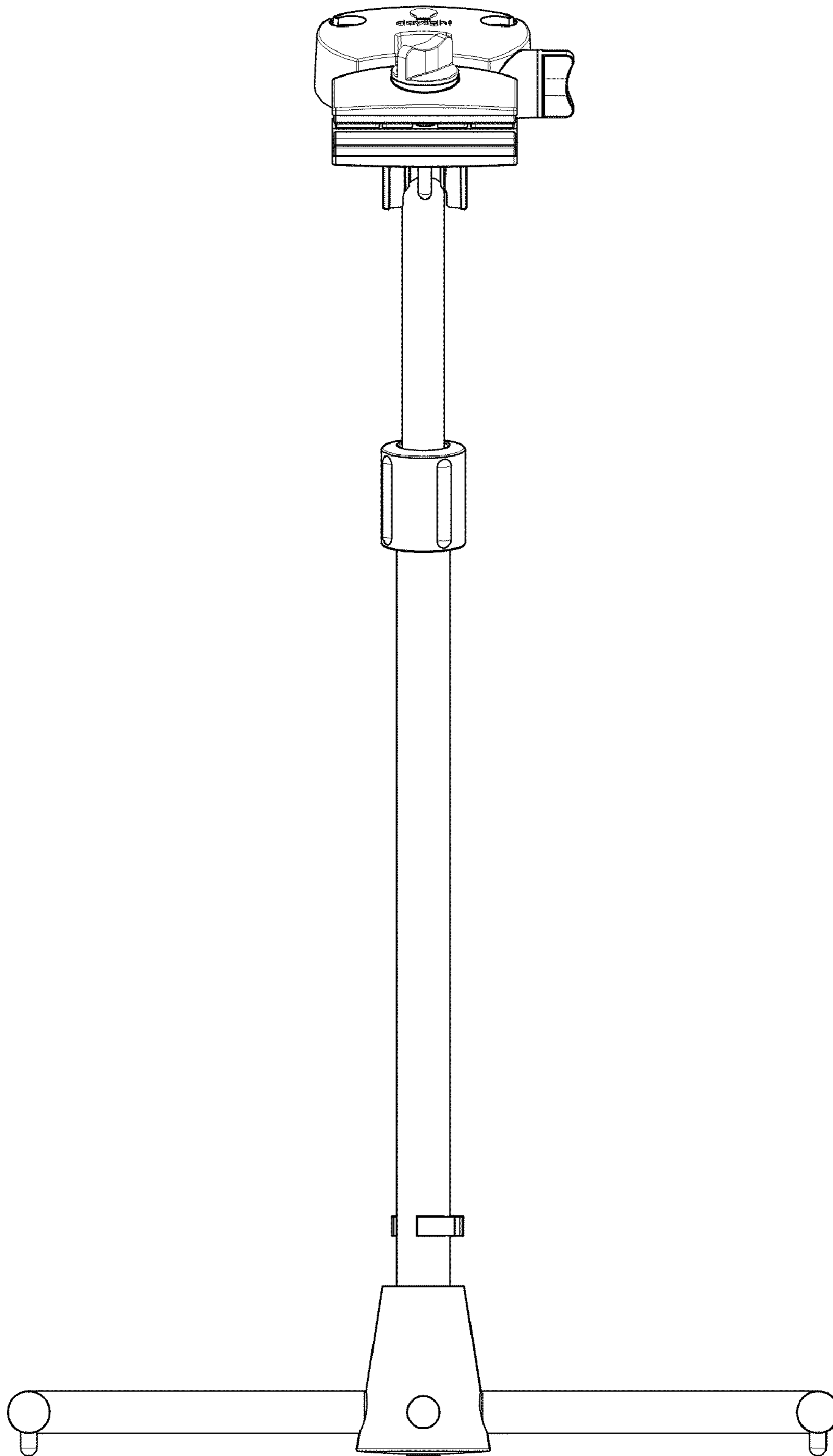
FIG. 12 is an enlarged front perspective view of the head portion shown in FIG. 1, shown separately for clarity of illustration.

**1 Claim, 9 Drawing Sheets**

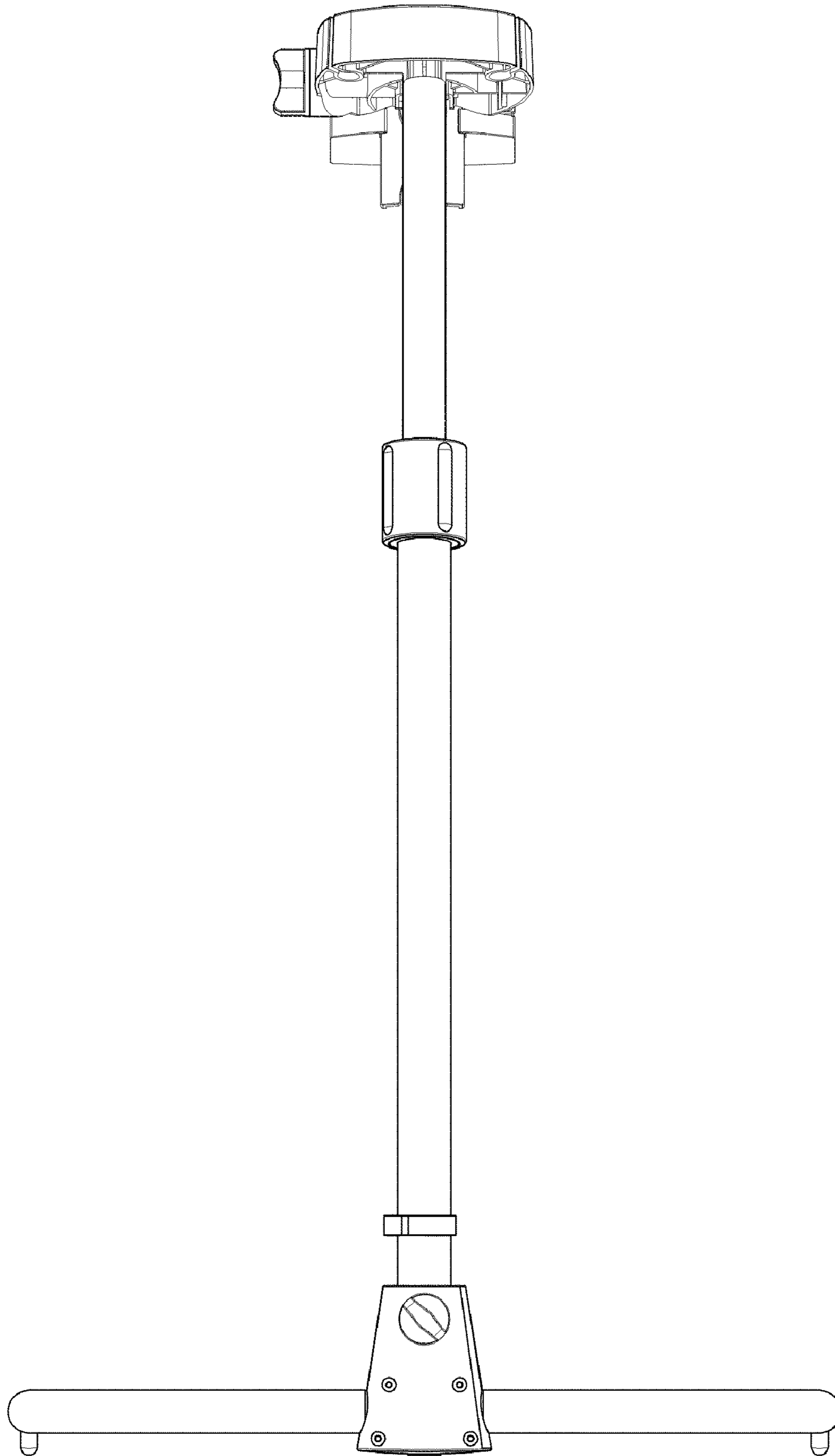




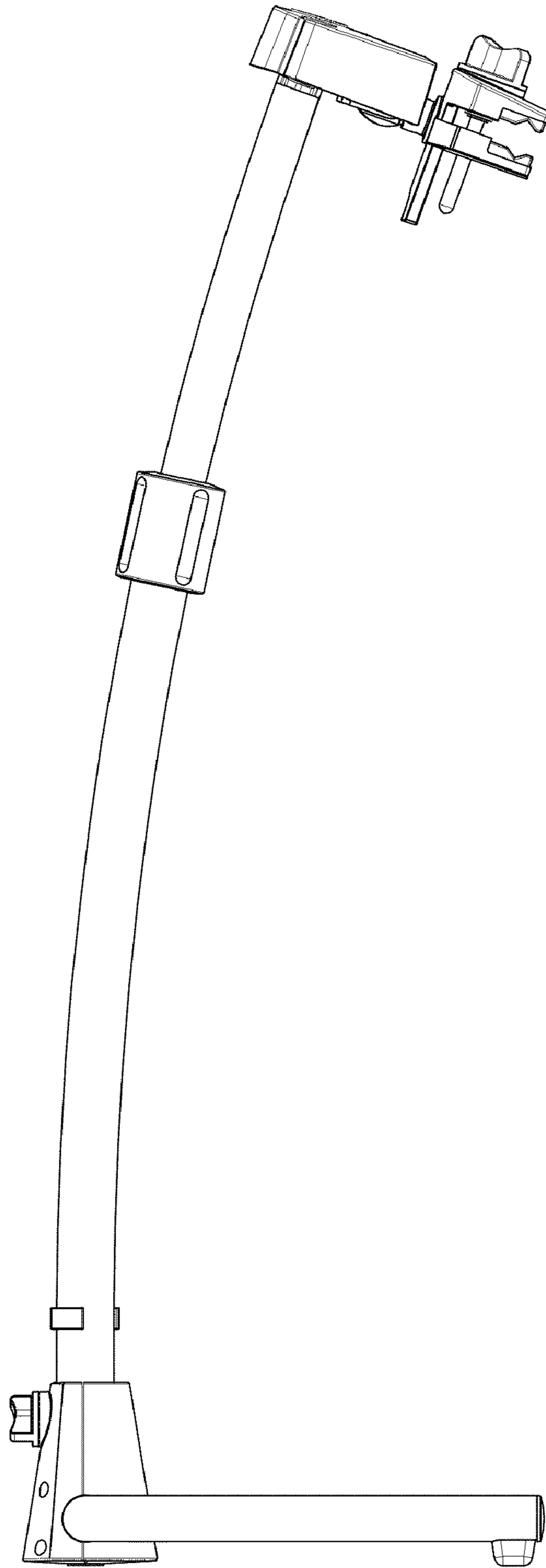
**FIG. 1**



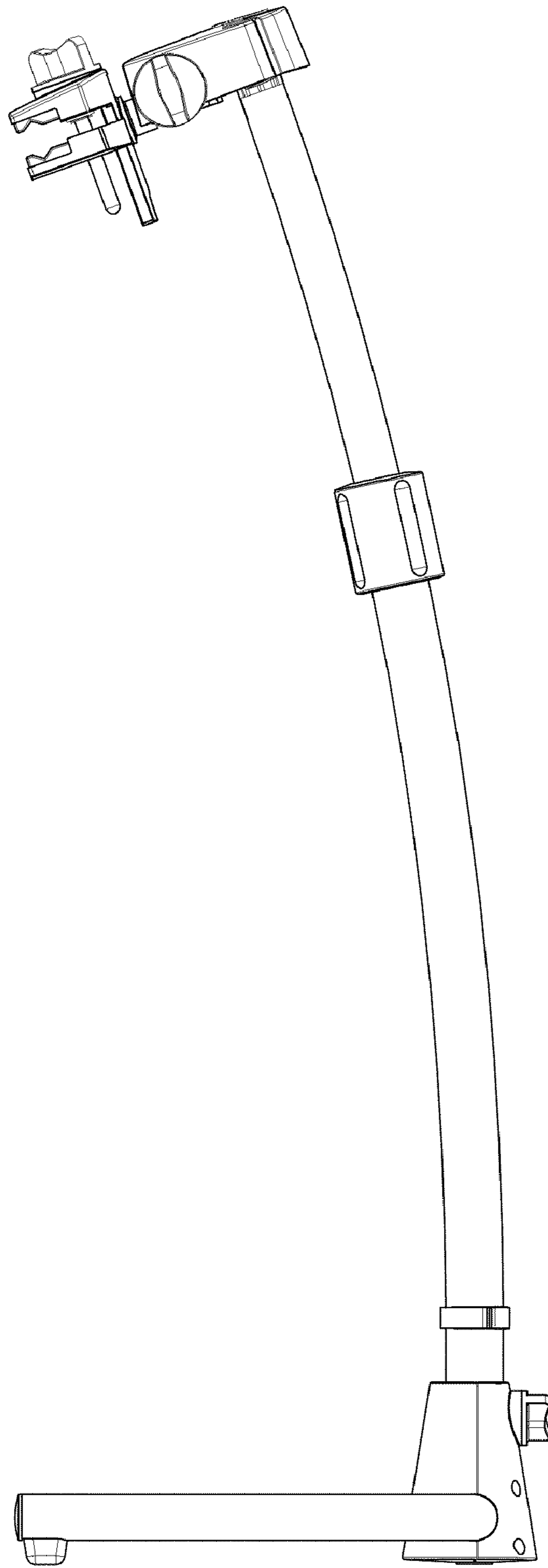
**FIG. 2**



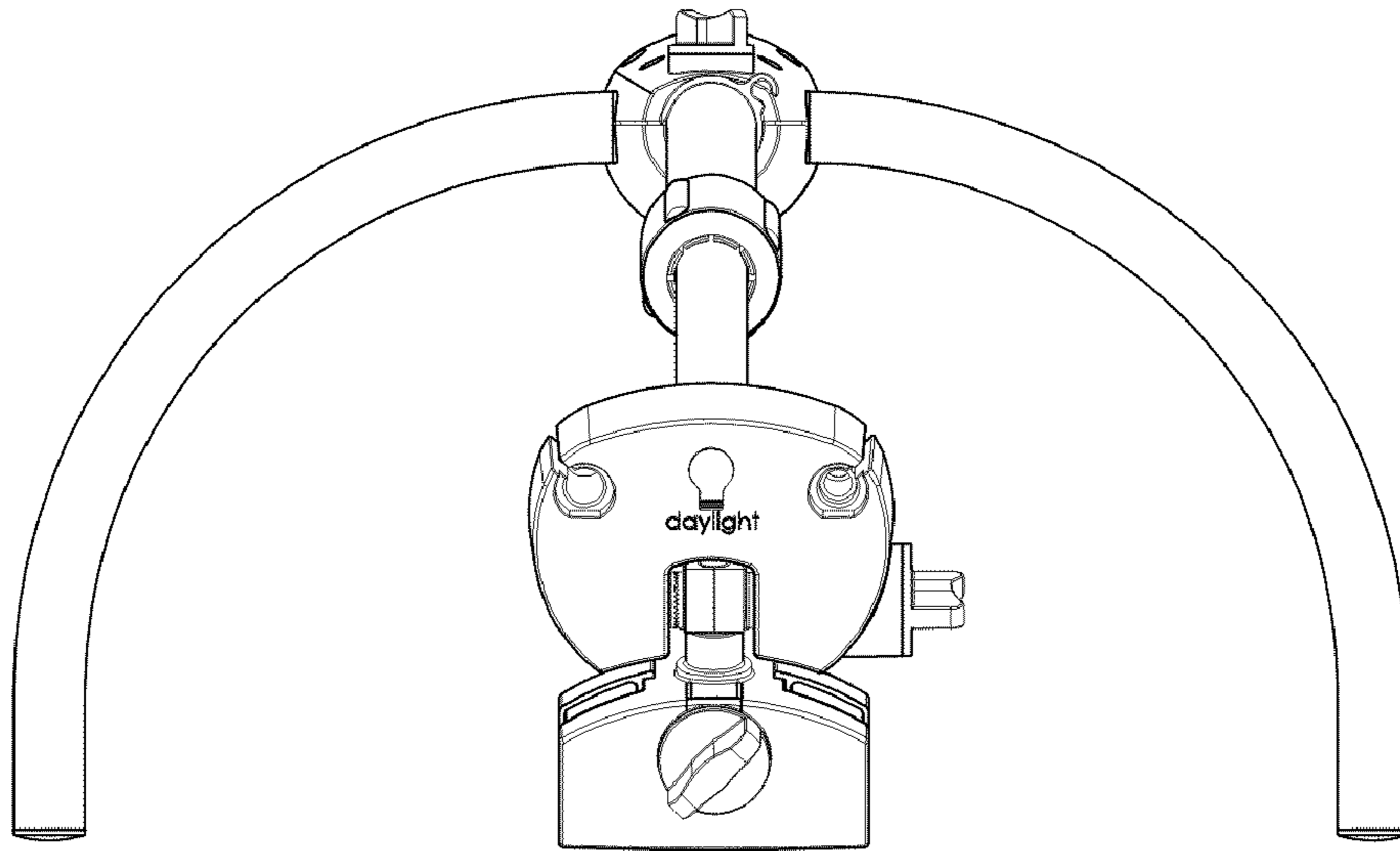
**FIG. 3**



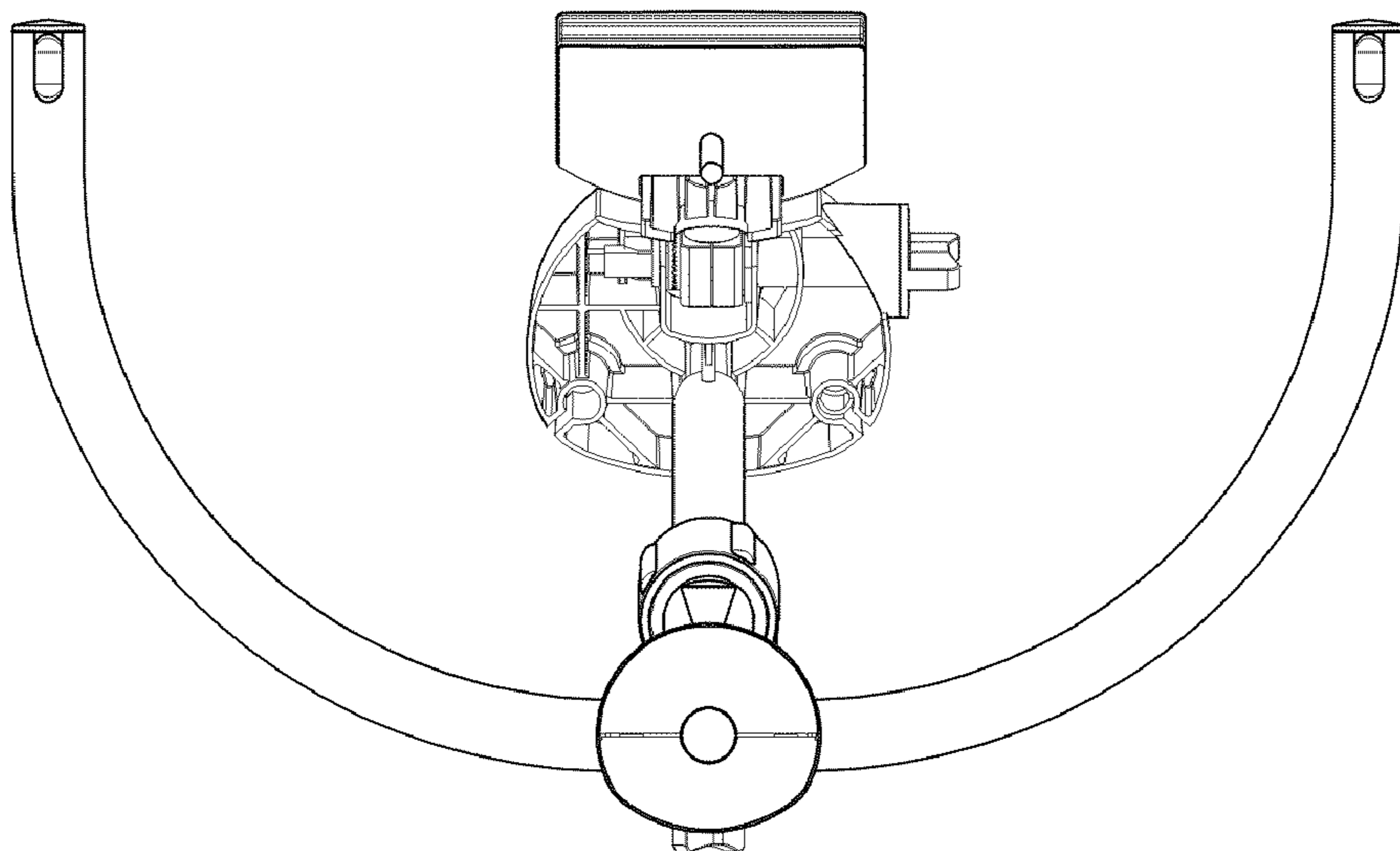
**FIG. 4**



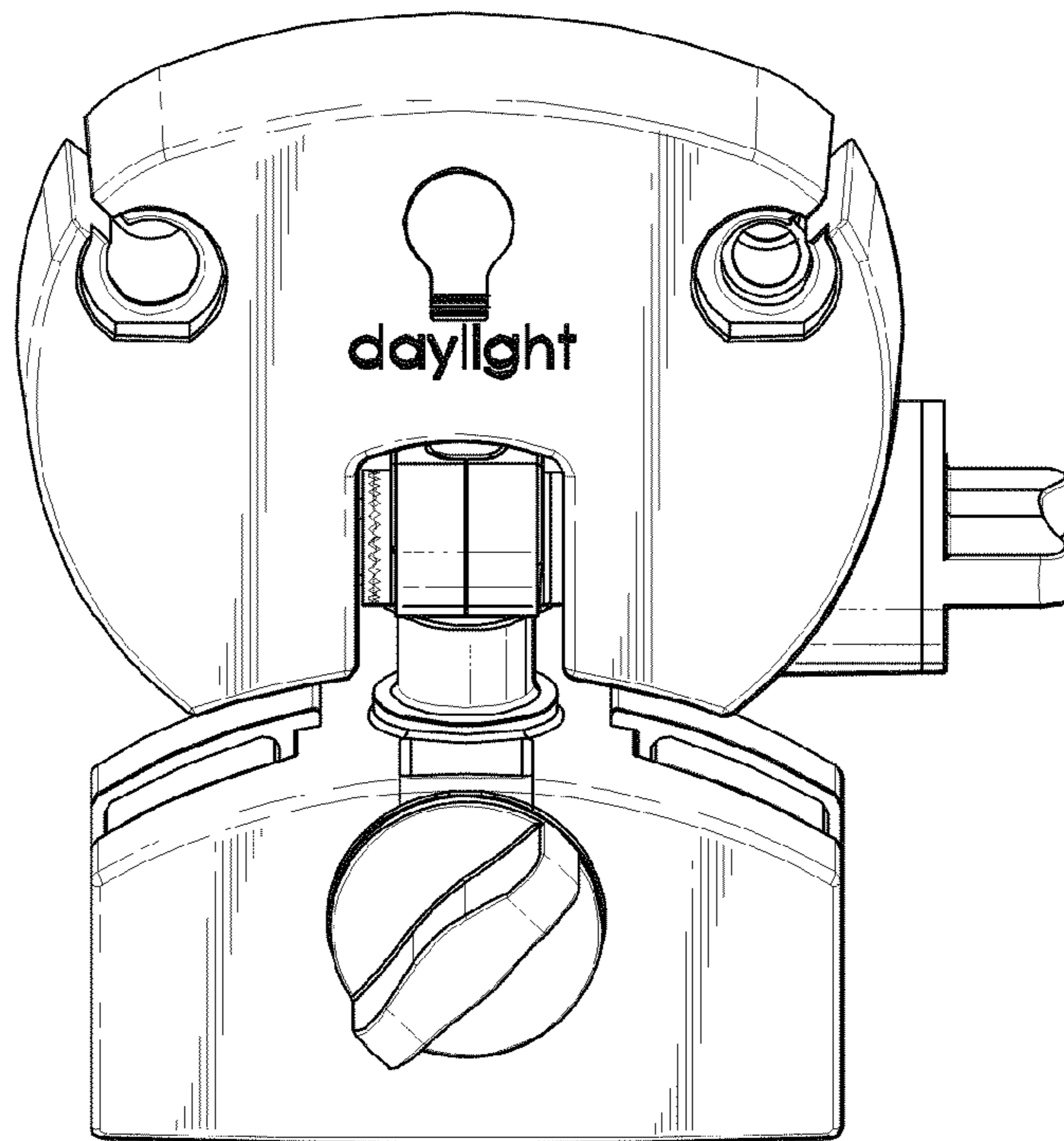
**FIG. 5**



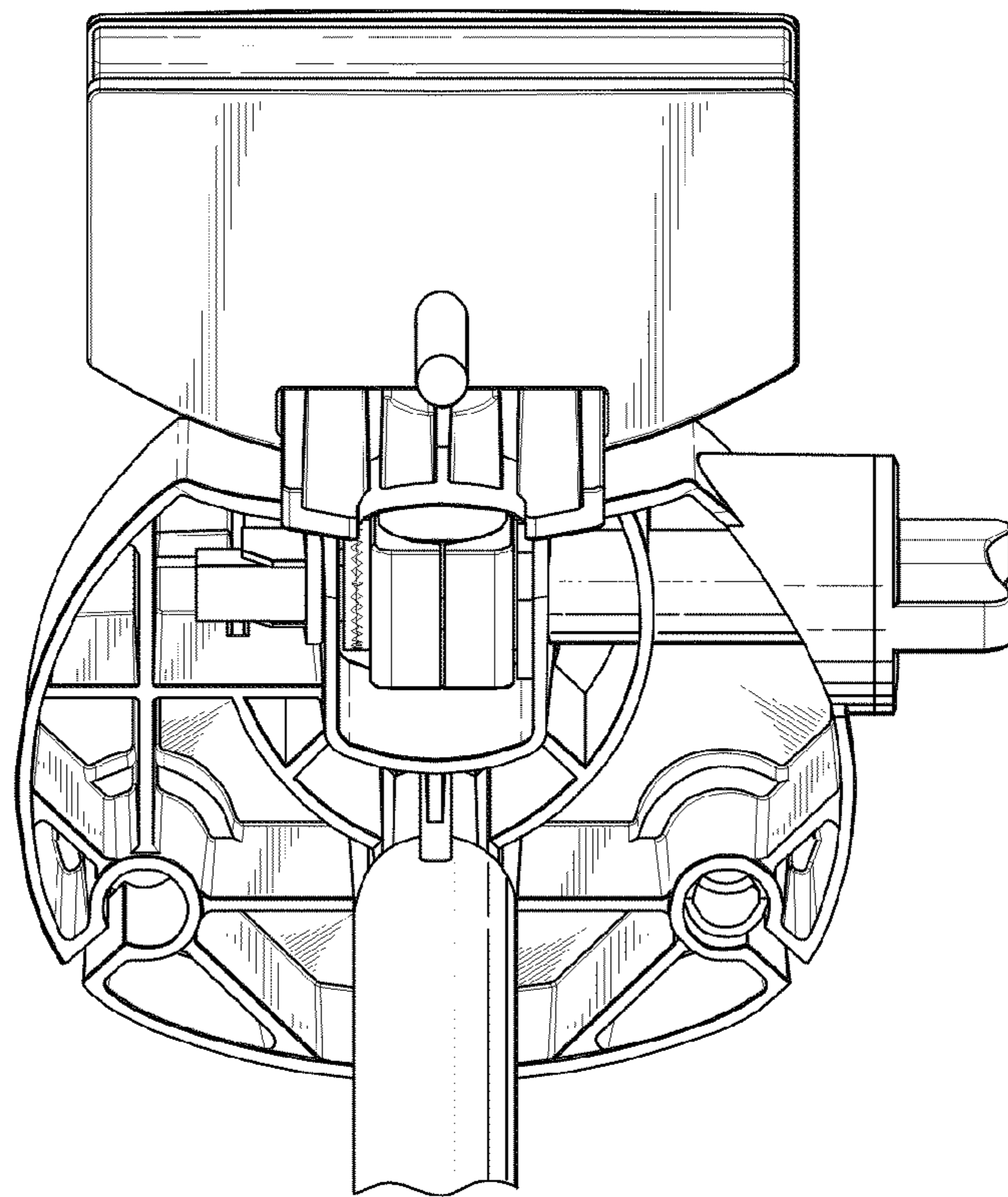
*FIG. 6*



*FIG. 7*

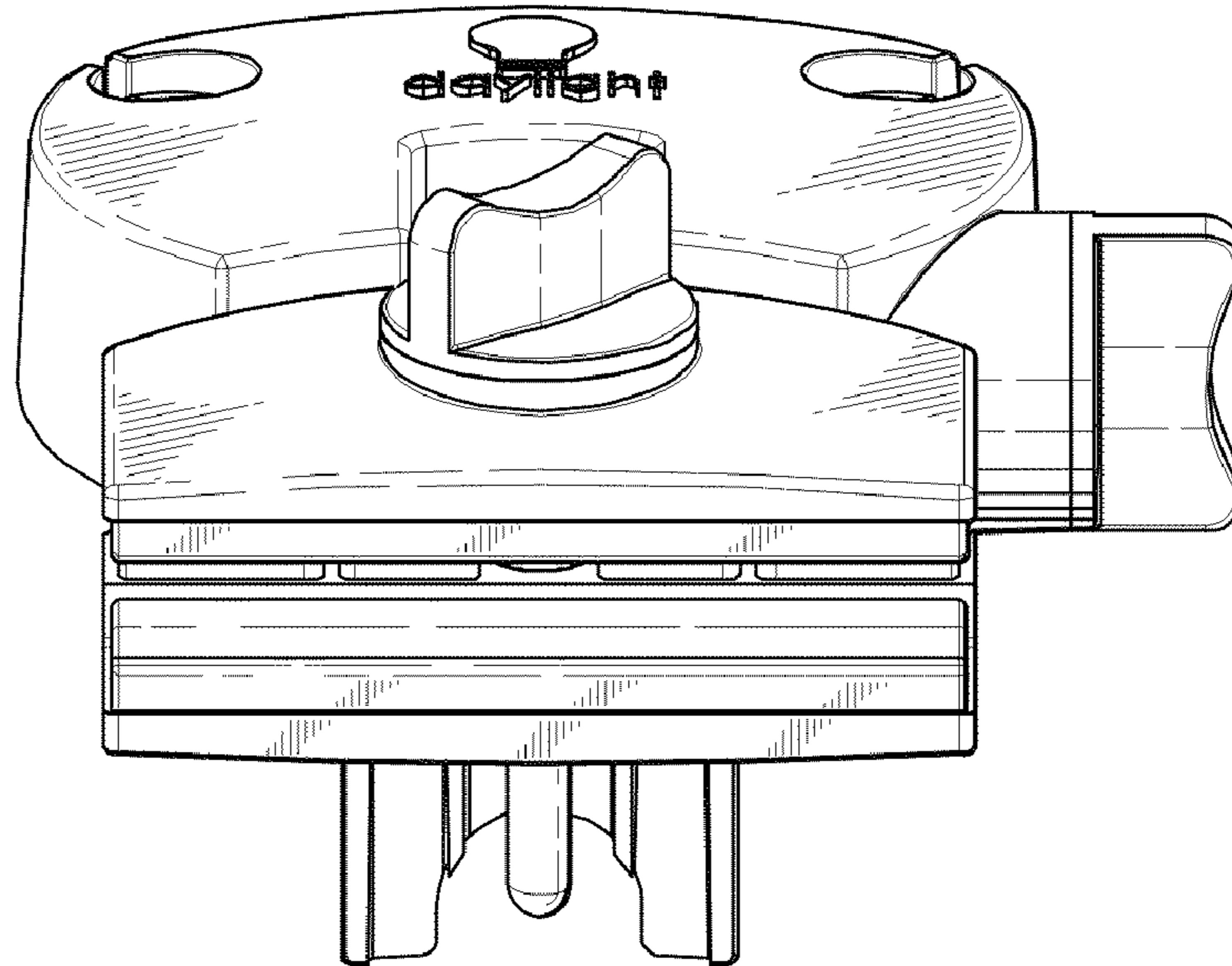


*FIG. 8*

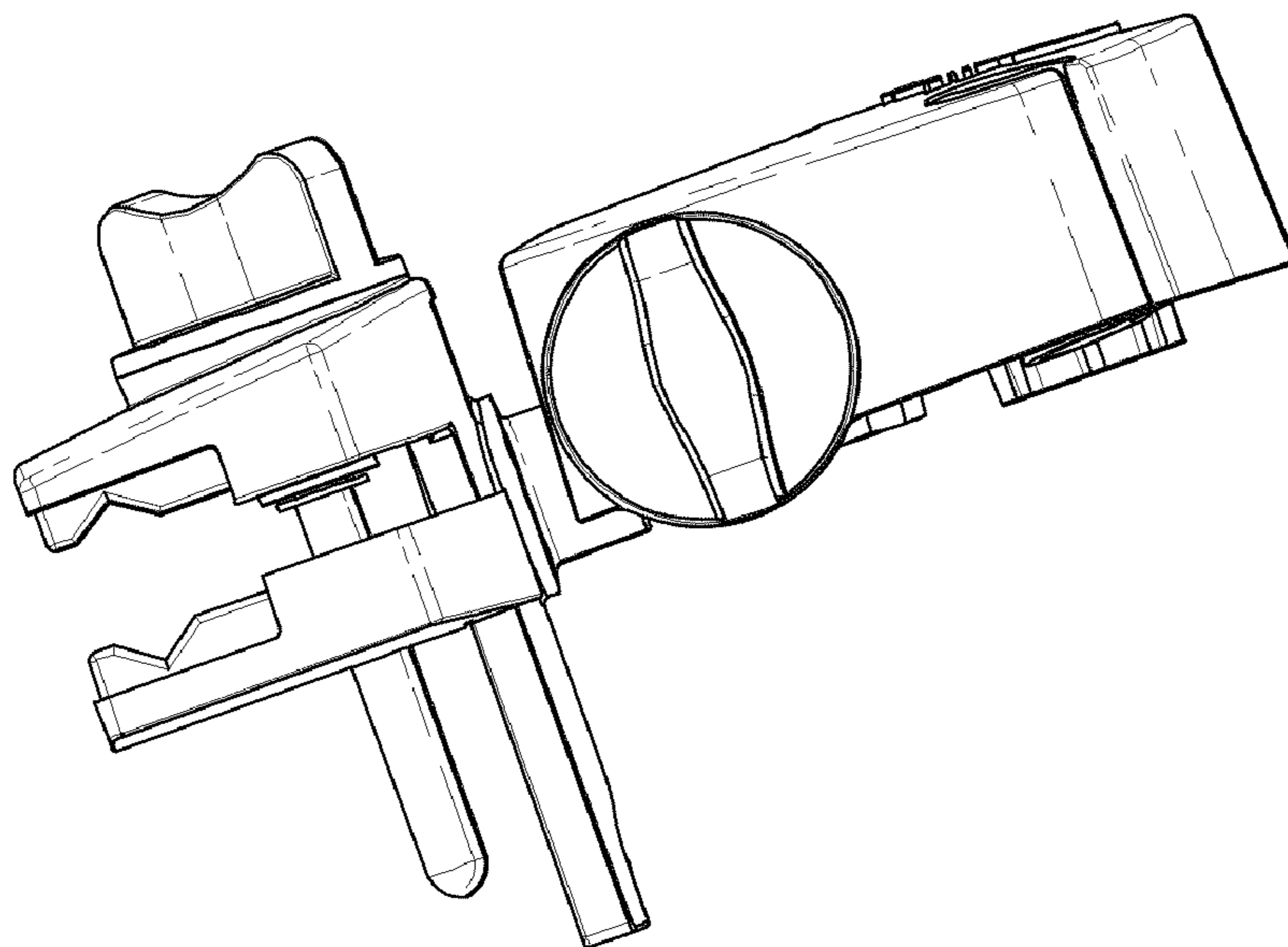


*FIG. 9*

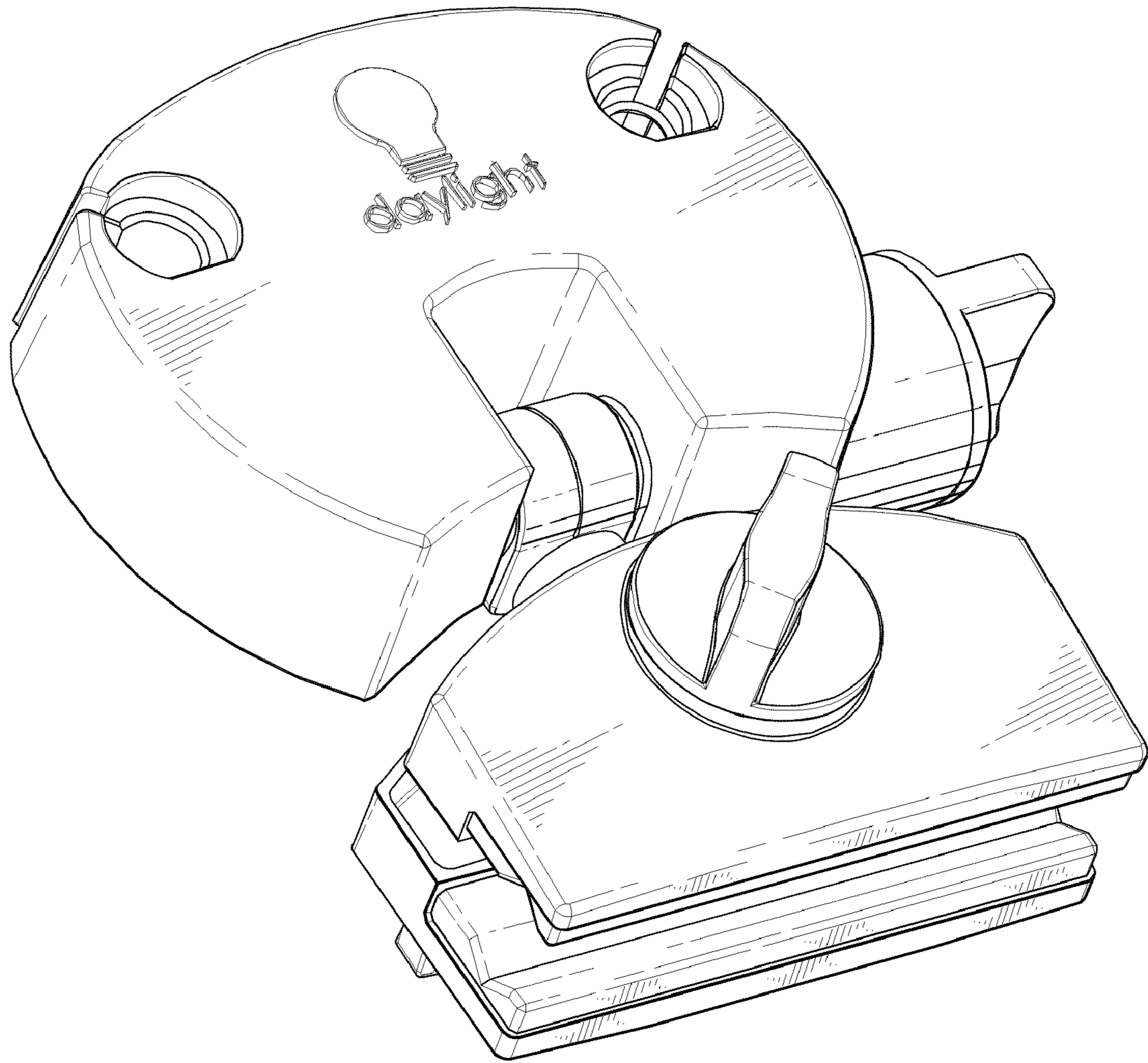




*FIG. 10*



*FIG. 11*



**FIG. 12**