



US00D616142S

(12) **United States Design Patent**
Bagnall

(10) **Patent No.:** **US D616,142 S**

(45) **Date of Patent:** **** May 18, 2010**

(54) **DUAL-LAMP LIGHT FIXTURE**

D582,085 S * 12/2008 Feinbloom et al. D26/39

* cited by examiner

(75) Inventor: **Gary Wayne Bagnall**, Arroyo Grande, CA (US)

Primary Examiner—Cathron C Brooks

Assistant Examiner—Kevin K Rudzinski

(73) Assignee: **Zoo Med Laboratories, Inc.**, San Luis Obispo, CA (US)

(74) *Attorney, Agent, or Firm*—Evan M. Kent; Stewart L. Gitler

(**) Term: **14 Years**

(57) **CLAIM**

(21) Appl. No.: **29/342,772**

The ornamental design for a dual-lamp light fixture, as shown and described.

(22) Filed: **Sep. 1, 2009**

DESCRIPTION

(51) **LOC (9) Cl.** **26-99**

FIG. 1 is a top perspective view of a dual-lamp light fixture according to the present invention.

(52) **U.S. Cl.** **D26/128**

FIG. 2 is a bottom perspective view of the dual-lamp light fixture, with two installed lamps shown in broken lines.

(58) **Field of Classification Search** D26/113, D26/63, 118, 93, 110, 138, 61, 24, 120, 40, D26/73, 2, 25, 37, 60, 81, 119, 122, 123, D26/128, 140, 141, 142; 362/33, 249.09, 362/648, 101; D13/110, 134, 180; 439/121, 439/239, 241

FIG. 3 is a top plan view of the dual-lamp light fixture.

See application file for complete search history.

FIG. 4 is a front elevational view of the dual-lamp light fixture.

FIG. 5 is a rear elevational view of the dual-lamp light fixture.

(56) **References Cited**

FIG. 6 is a bottom plan view of the dual-lamp light fixture.

U.S. PATENT DOCUMENTS

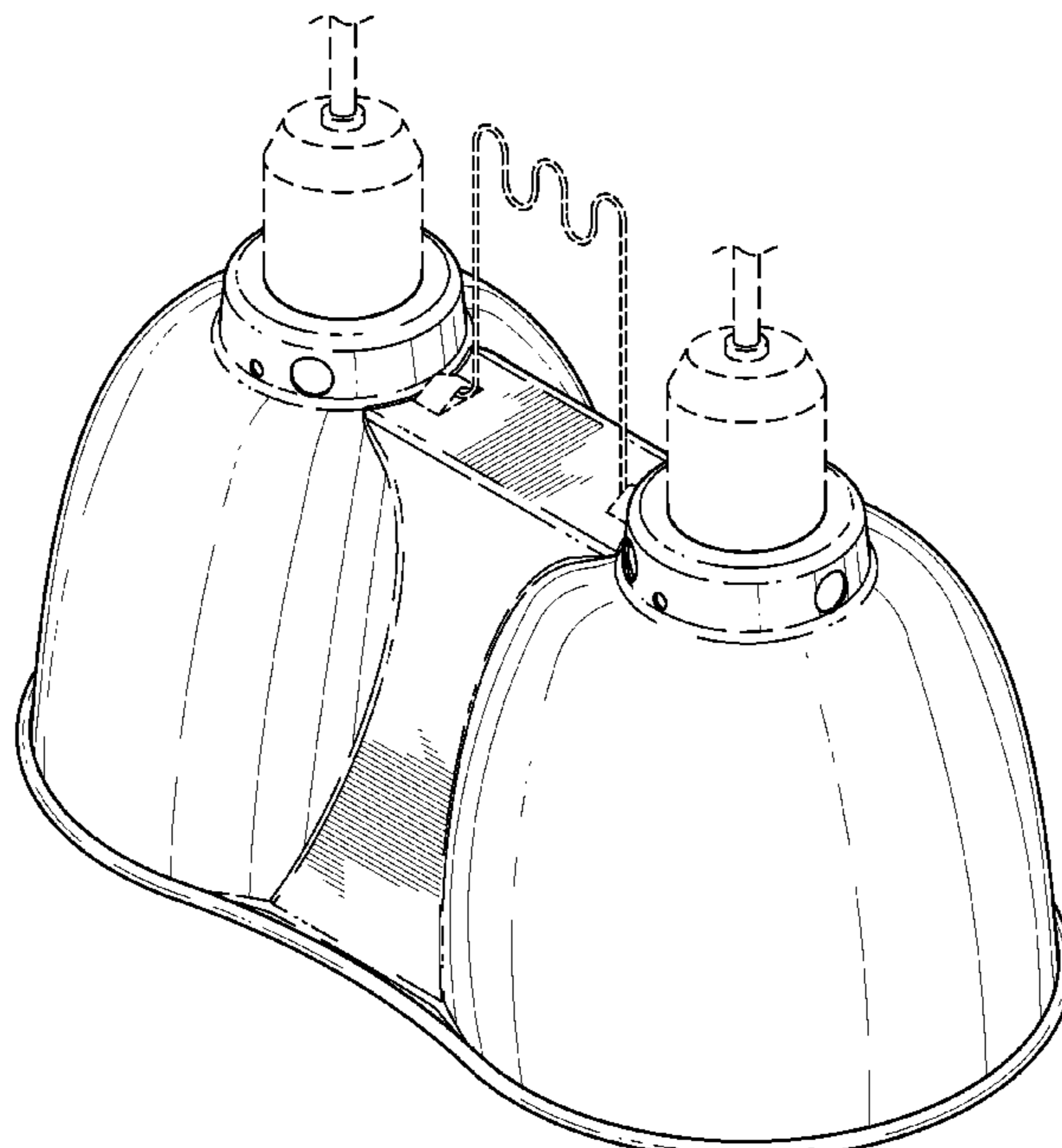
FIG. 7 is a left side elevational view of the dual-lamp light fixture; and,

D47,816 S	9/1915	Green	
D134,296 S *	11/1942	Tuck et al.	D26/71
D194,478 S *	1/1963	Pettingill	D26/84
D200,590 S *	3/1965	Van Steehoven	D26/24
3,872,296 A *	3/1975	Cohen et al.	362/366
D329,505 S	9/1992	Miller	
6,478,454 B1 *	11/2002	Jaffari et al.	362/307
6,561,676 B1 *	5/2003	Fischer et al.	362/263
D527,137 S	8/2006	Urich	
D564,120 S *	3/2008	Layne et al.	D26/63
7,380,967 B2 *	6/2008	Reed et al.	362/433

FIG. 8 is a right side elevational view of the dual-lamp light fixture.

The portions shown in broken lines (including the wire hanging hook, slots for it to enter into the main body of the fixture, two lamps, two light sockets into which the lamps are inserted and portions of electrical cords extending from the light sockets) are solely for the purpose of illustrating context and form no part of the claimed design.

1 Claim, 5 Drawing Sheets



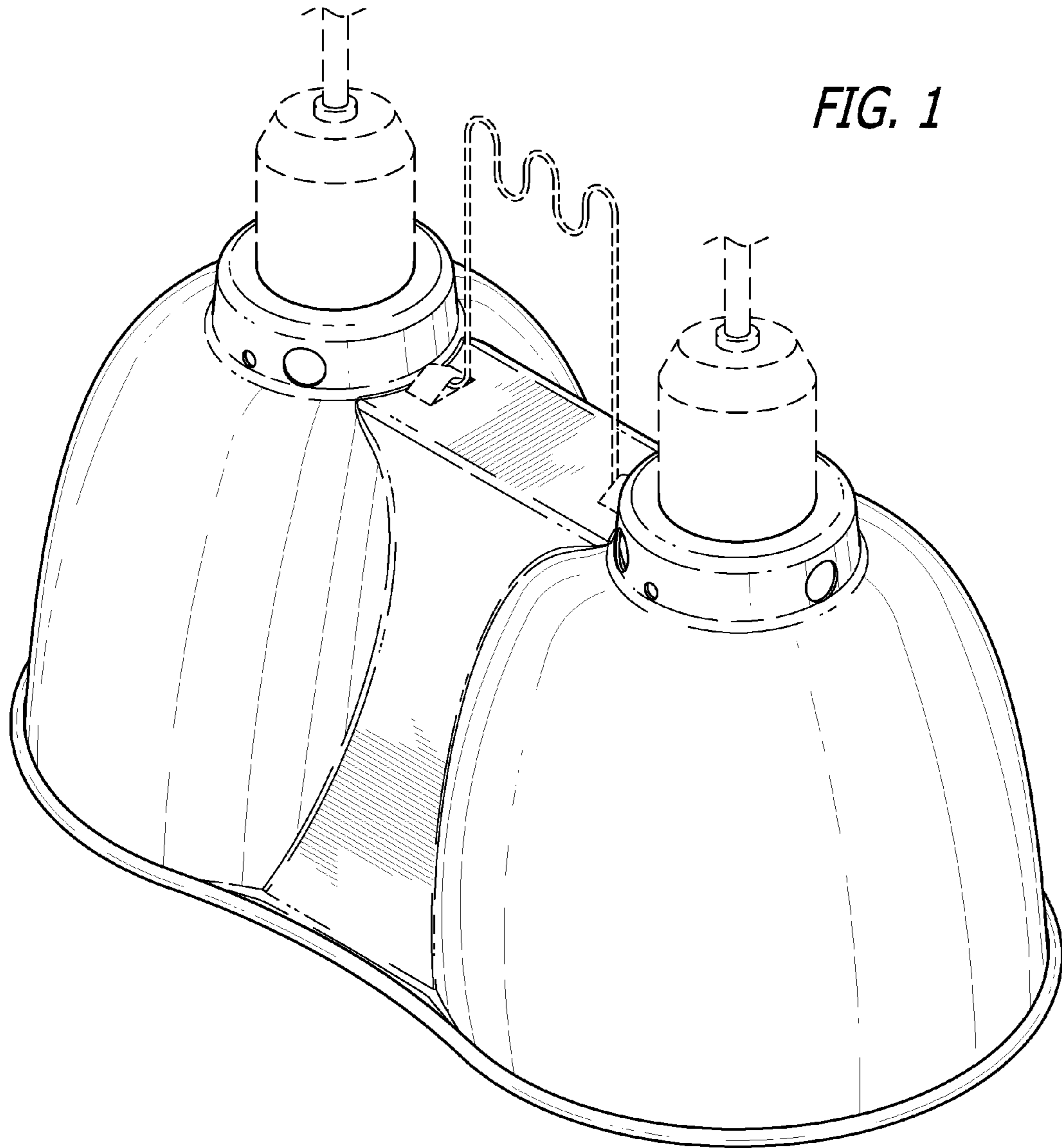


FIG. 2

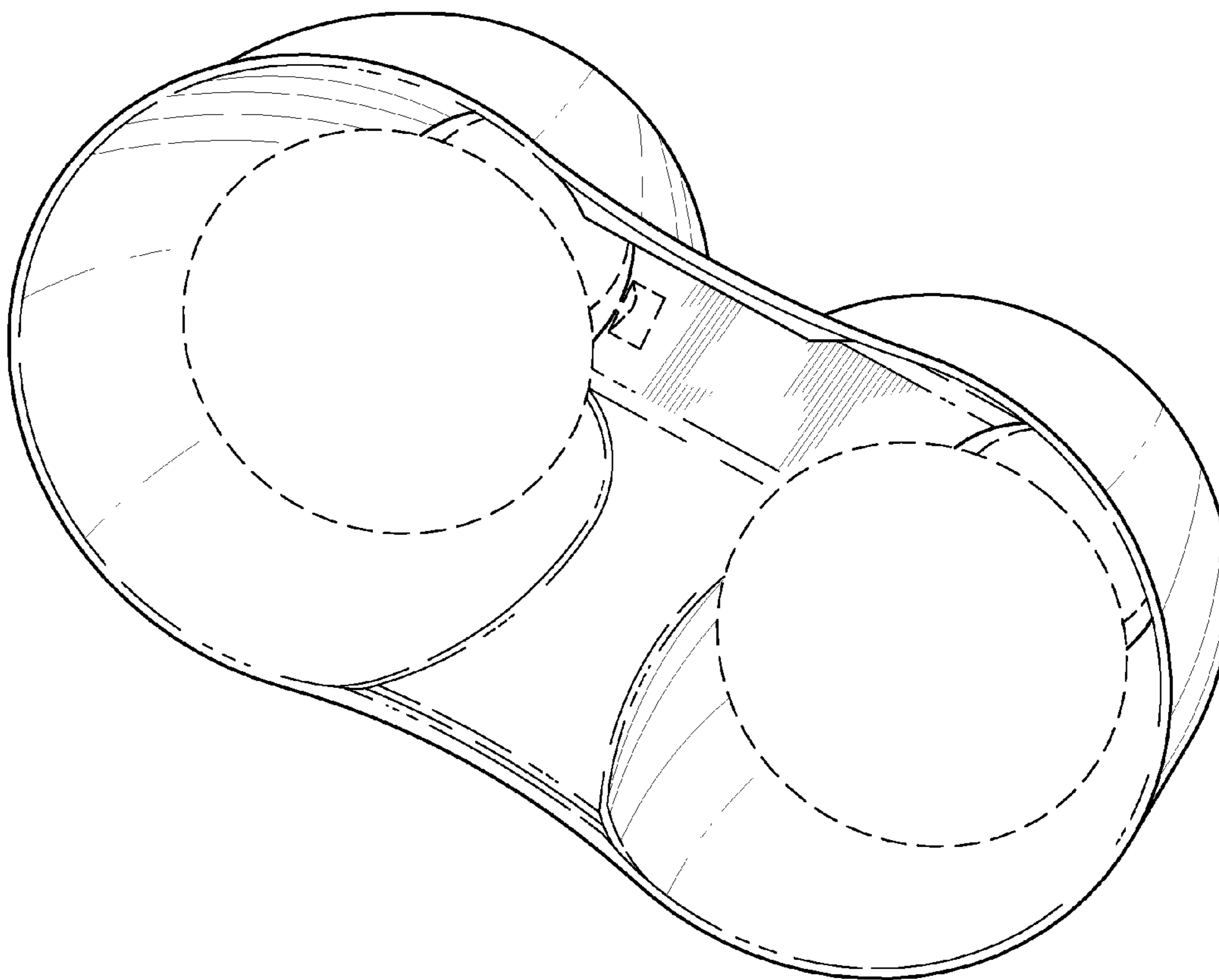


FIG. 3

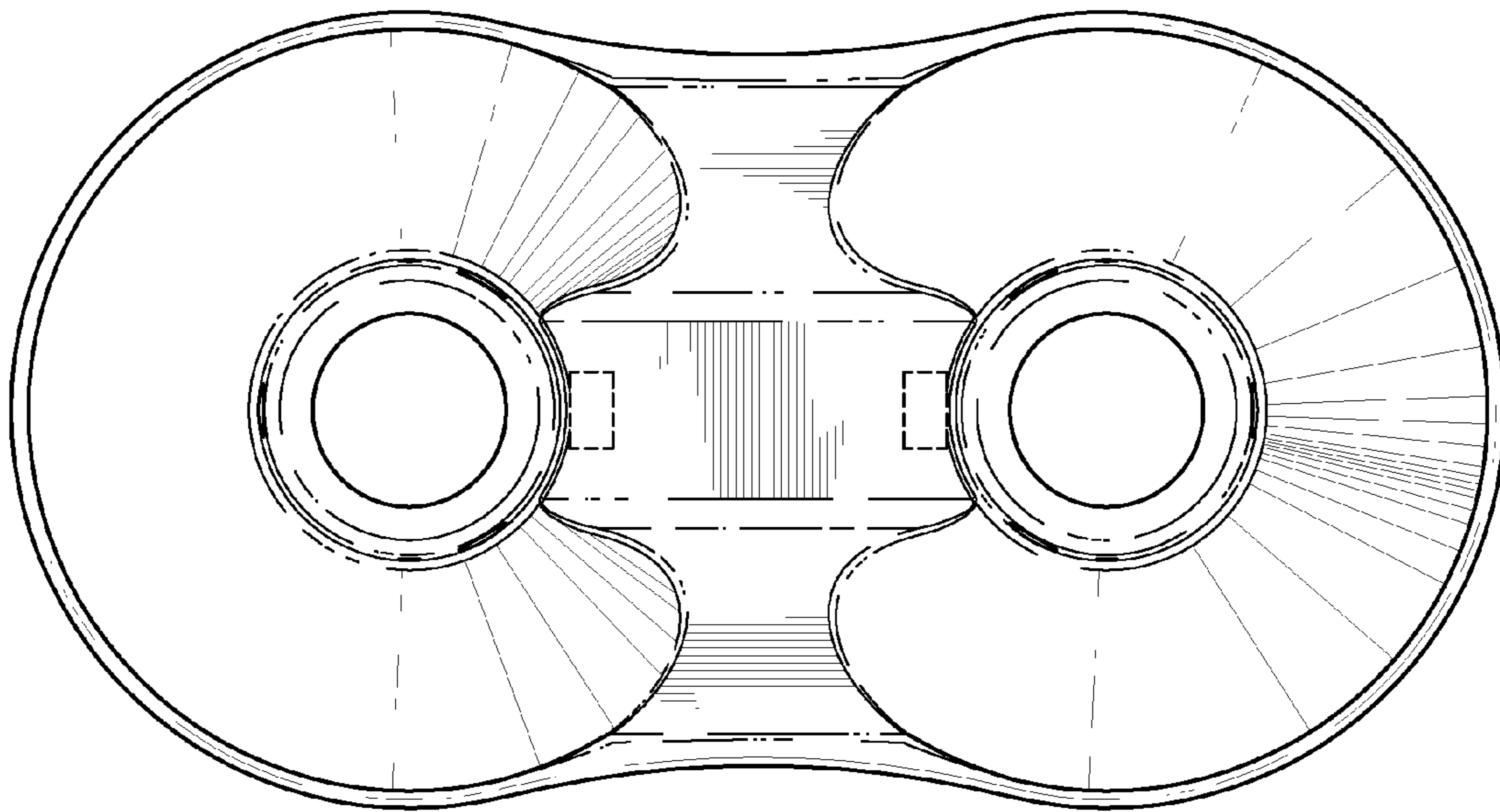


FIG. 4

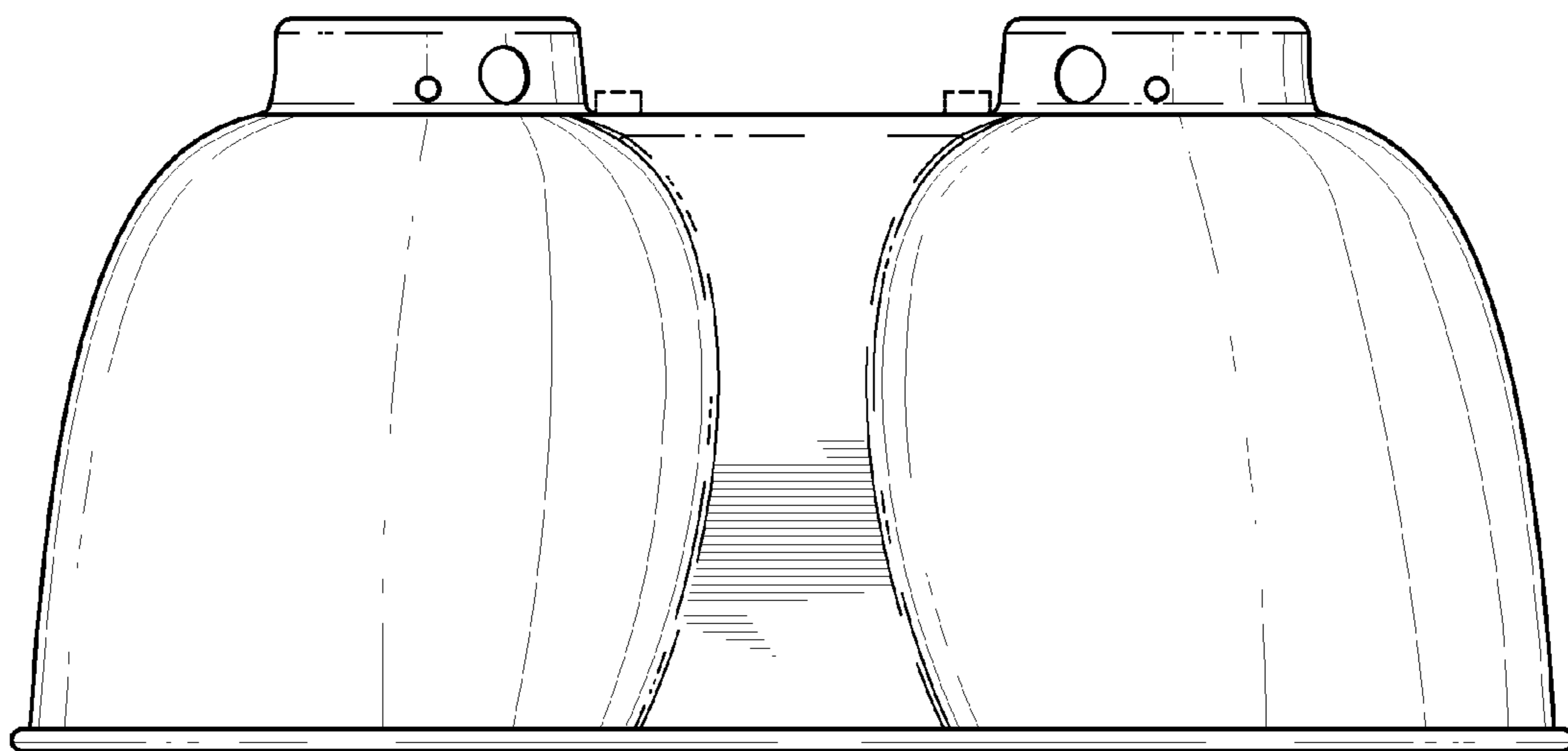


FIG. 5

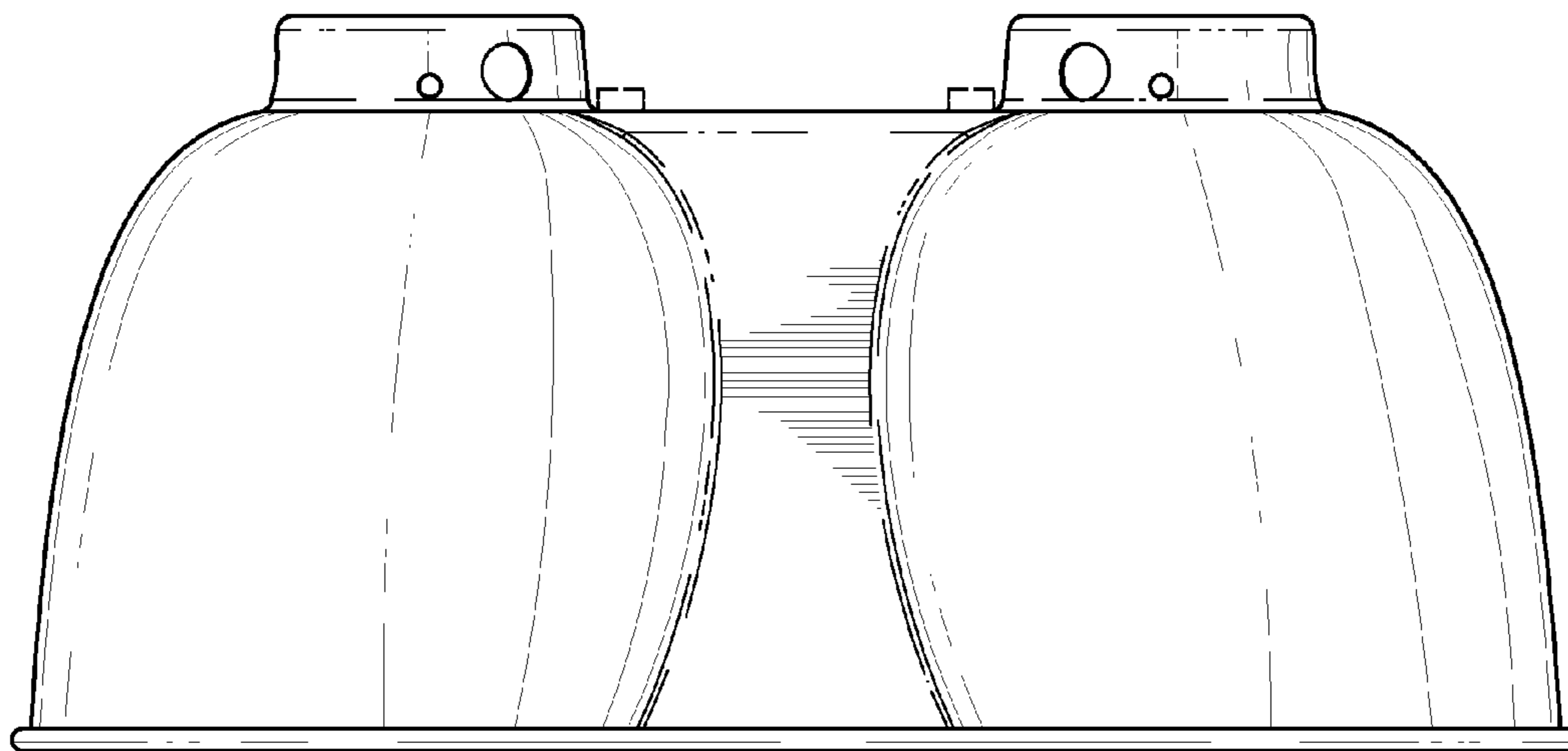


FIG. 6

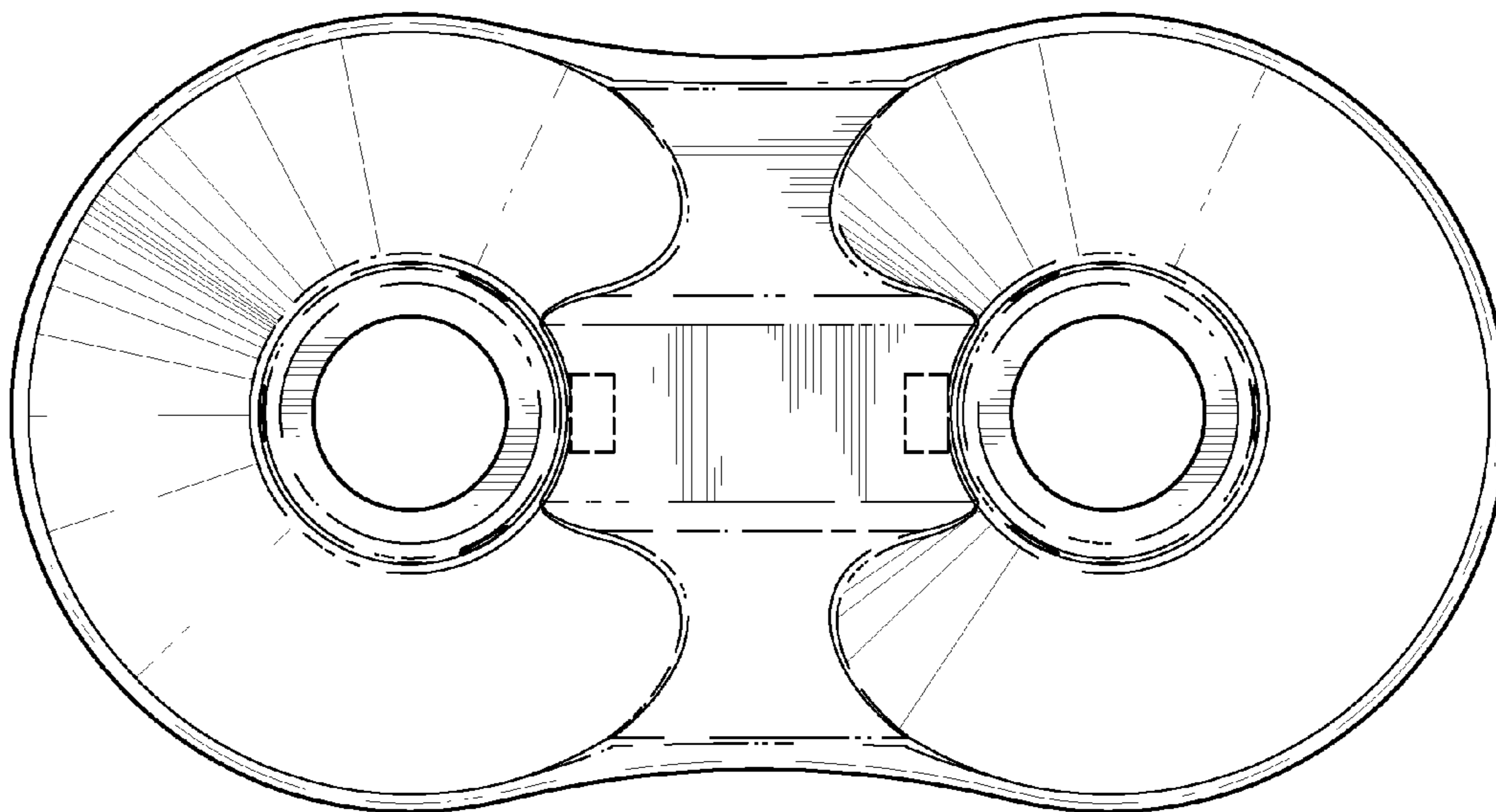


FIG. 7

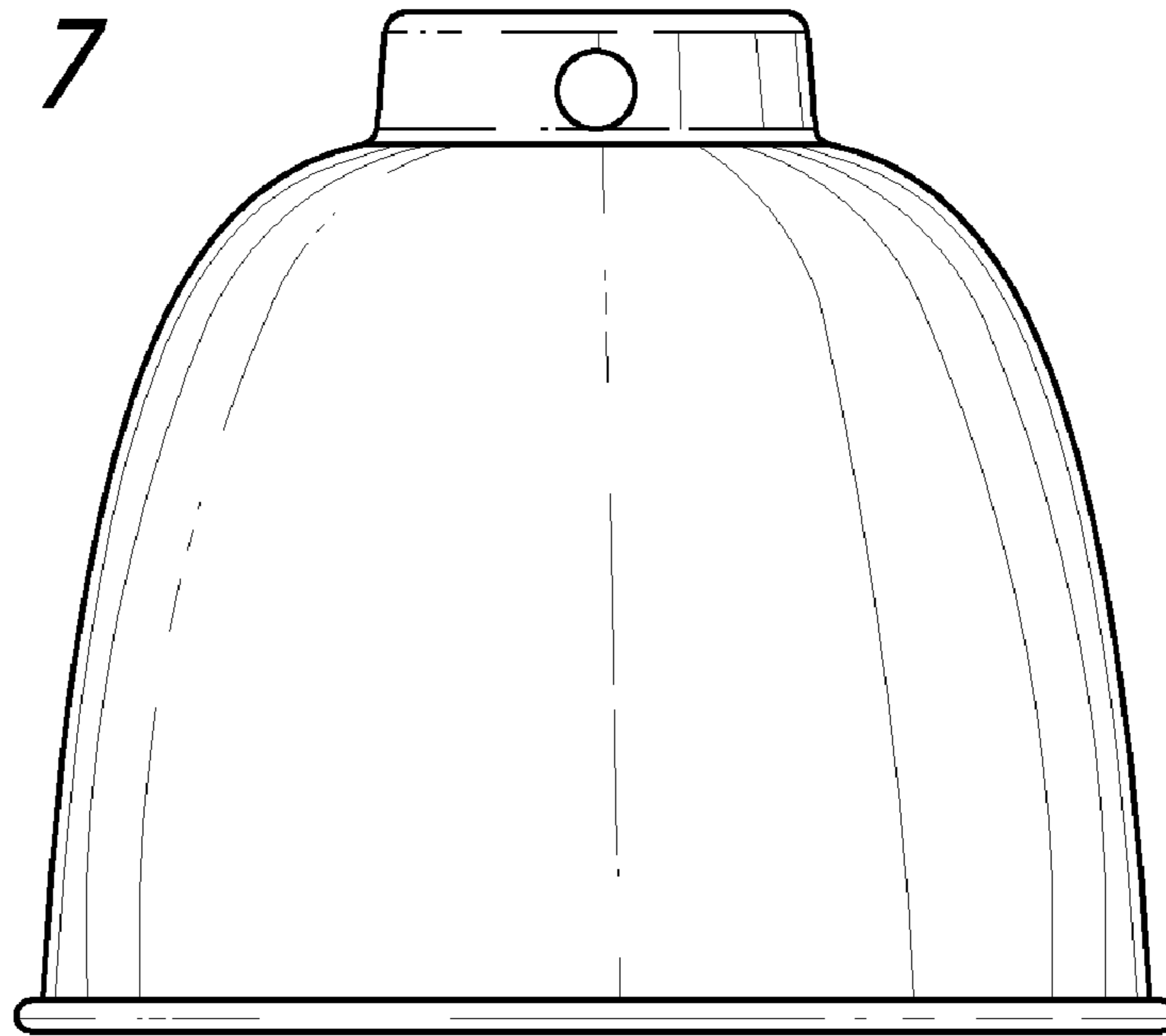


FIG. 8

