



US00D616140S

(12) **United States Design Patent**
Habig et al.

(10) **Patent No.:** **US D616,140 S**

(45) **Date of Patent:** **** May 18, 2010**

(54) **LAMP SHADE**

D226,327 S * 2/1973 Anderson D26/67
3,780,287 A * 12/1973 Fauri 362/352

(75) Inventors: **Michael Miller Habig**, Minneapolis,
MN (US); **Michael Alan Ashling**,
Golden Valley, MN (US)

(Continued)

(73) Assignee: **Target Brands, Inc.**, Minneapolis, MN
(US)

OTHER PUBLICATIONS

http://www.newbuildgardens.co.uk/gardening_shop/query,
Operation::ItemLookup-ItemId::BoolKA86N2—myOperation::
Image/, printed Feb. 3, 2009.

(**) Term: **14 Years**

(Continued)

(21) Appl. No.: **29/336,714**

Primary Examiner—Cathron C Brooks

Assistant Examiner—Kevin K Rudzinski

(22) Filed: **May 7, 2009**

(74) *Attorney, Agent, or Firm*—Theodore M. Magee;
Westman, Champlin & Kelly, P.A.

(51) **LOC (9) Cl.** **26-99**

(52) **U.S. Cl.** **D26/118**

(58) **Field of Classification Search** D26/113,
D26/63, 118, 93, 110, 138, 61, 24, 120, 40,
D26/73, 2, 25, 37, 60, 81, 119, 122, 123,
D26/128, 140, 141, 142; 362/33, 249.09,
362/648, 101; D13/110, 134, 180; 439/121,
439/239, 241

(57) **CLAIM**

See application file for complete search history.

The ornamental design for a lamp shade, as shown and
described.

(56) **References Cited**

DESCRIPTION

U.S. PATENT DOCUMENTS

1,066,493 A	7/1913	Harrold	
2,398,974 A	4/1946	Storm	
2,681,410 A *	6/1954	De Sherbinin	362/444
2,683,801 A *	7/1954	Faselt	362/352
2,711,476 A *	6/1955	Wells	362/352
2,791,998 A	5/1957	Decker	
2,899,543 A *	8/1959	Rasmussen	362/354
D186,618 S *	11/1959	Haywood	D26/110
3,211,906 A *	10/1965	Zucchi	362/360
D204,013 S *	3/1966	Hall	D26/128
3,239,662 A *	3/1966	Noller	250/296

FIG. 1 is a top front perspective view of the lamp shade.

FIG. 2 is a left side view of the lamp shade.

FIG. 3 is a right side view of the lamp shade.

FIG. 4 is a front view of the lamp shade.

FIG. 5 is a back view of the lamp shade.

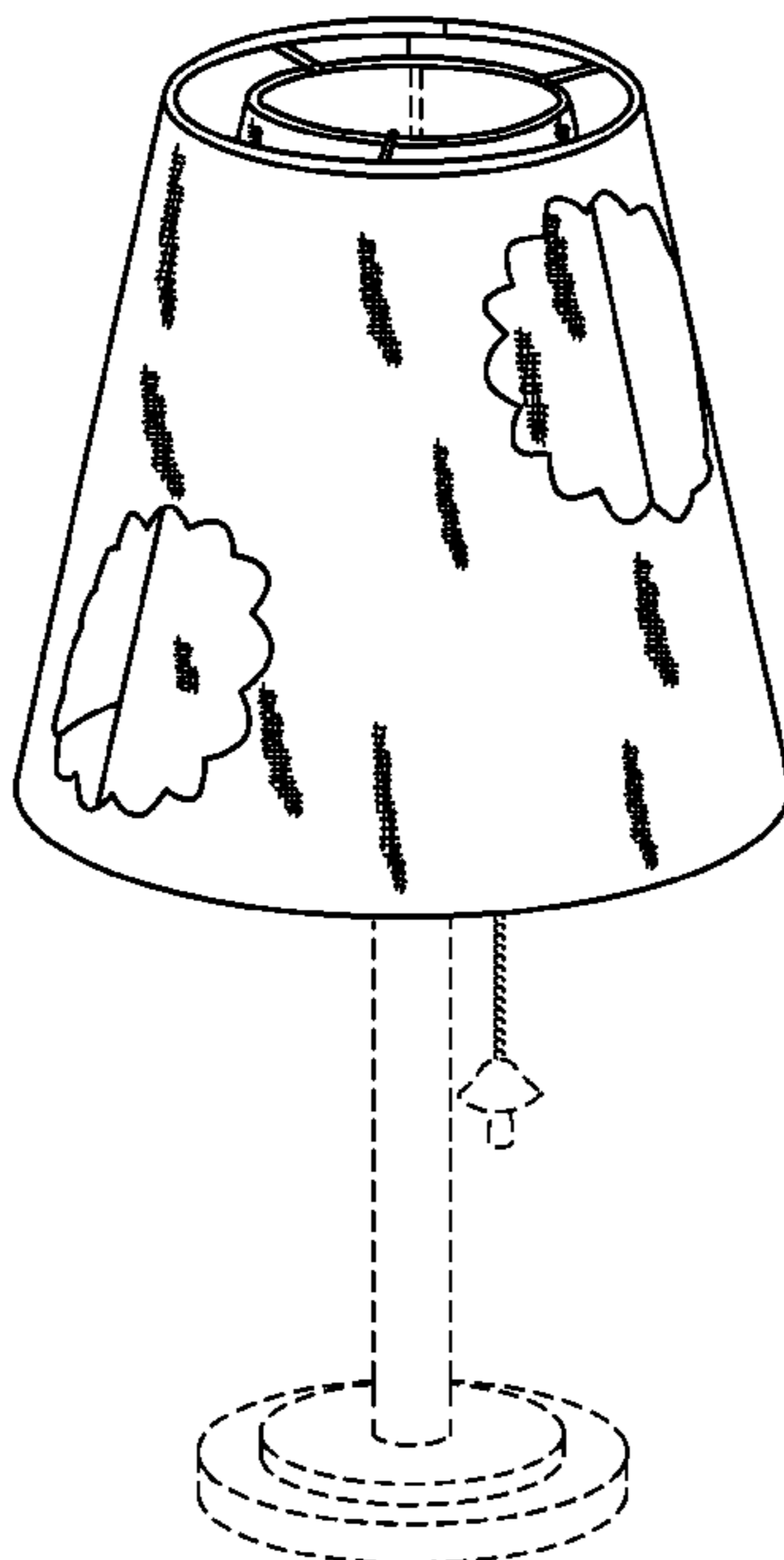
FIG. 6 is a top view of the lamp shade.

FIG. 7 is a bottom view of the lamp shade; and,

FIG. 8 is a cross-sectional view of the lamp shade taken along
line 8—8 shown in FIG. 6.

The dotted lines in FIGS. 1–8 represent an environment in
which the lamp shade may be used and as such do not repre-
sent any part of the claimed design for the lamp shade.

1 Claim, 8 Drawing Sheets



US D616,140 S

Page 2

U.S. PATENT DOCUMENTS

4,344,112 A * 8/1982 Brown 362/96
6,550,936 B2 * 4/2003 Foley 362/268
6,742,915 B1 * 6/2004 Westerheide 362/360
D515,247 S * 2/2006 Jung et al. D30/127
D525,739 S * 7/2006 Wu D26/93
D532,147 S * 11/2006 Crosby D26/118
D563,023 S * 2/2008 Hetfield et al. D26/72
D585,582 S * 1/2009 Campbell D26/88

D586,496 S * 2/2009 Flindt D26/118
D590,093 S * 4/2009 Starck D26/93
2003/0016523 A1 1/2003 Pickens
2003/0107896 A1 * 6/2003 Chu 362/356

OTHER PUBLICATIONS

<http://www.home-gift-products.thankusavings.co.uk/230399555.html>, printed Apr. 24, 2009.

* cited by examiner

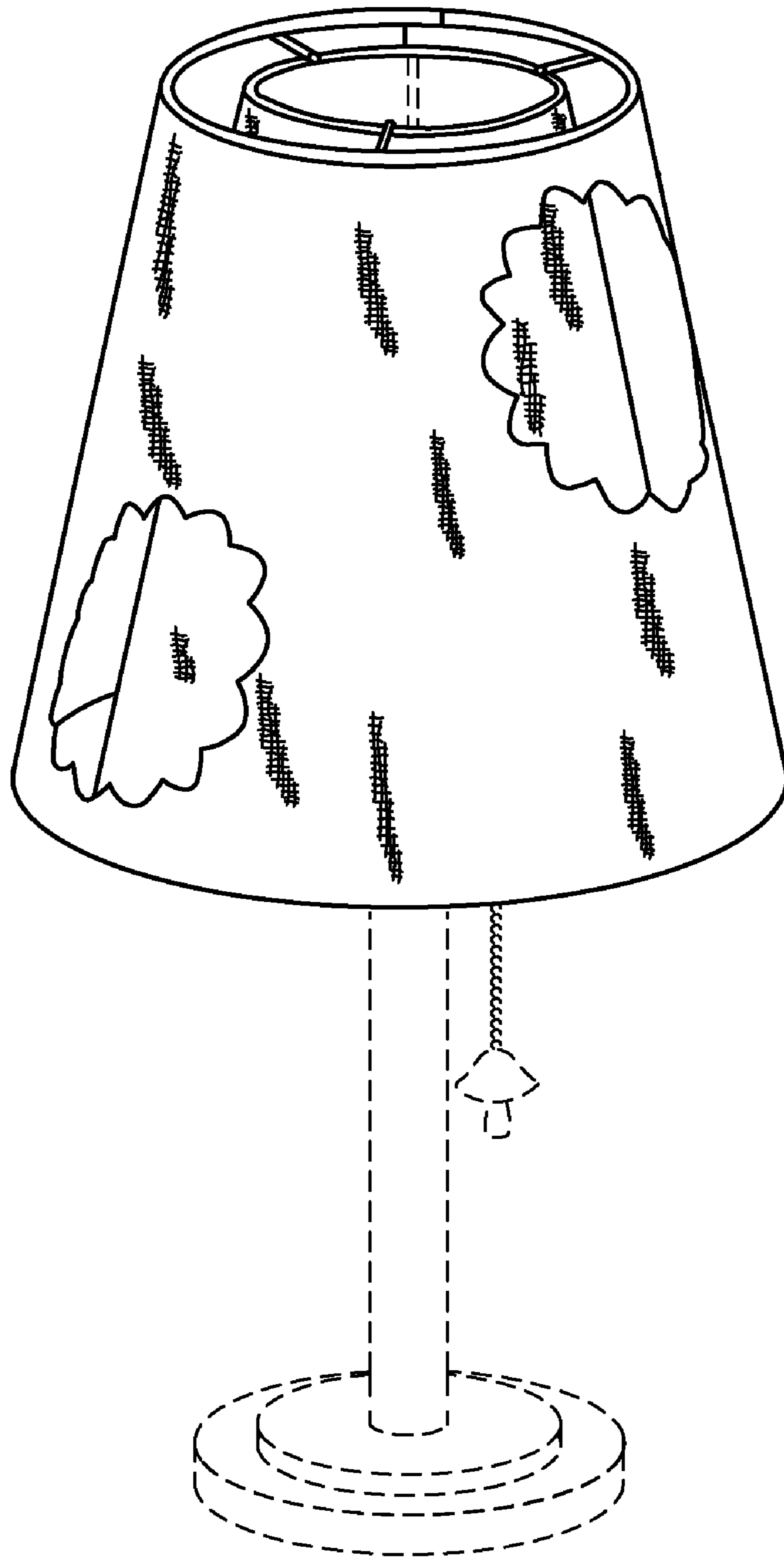


Fig. 1

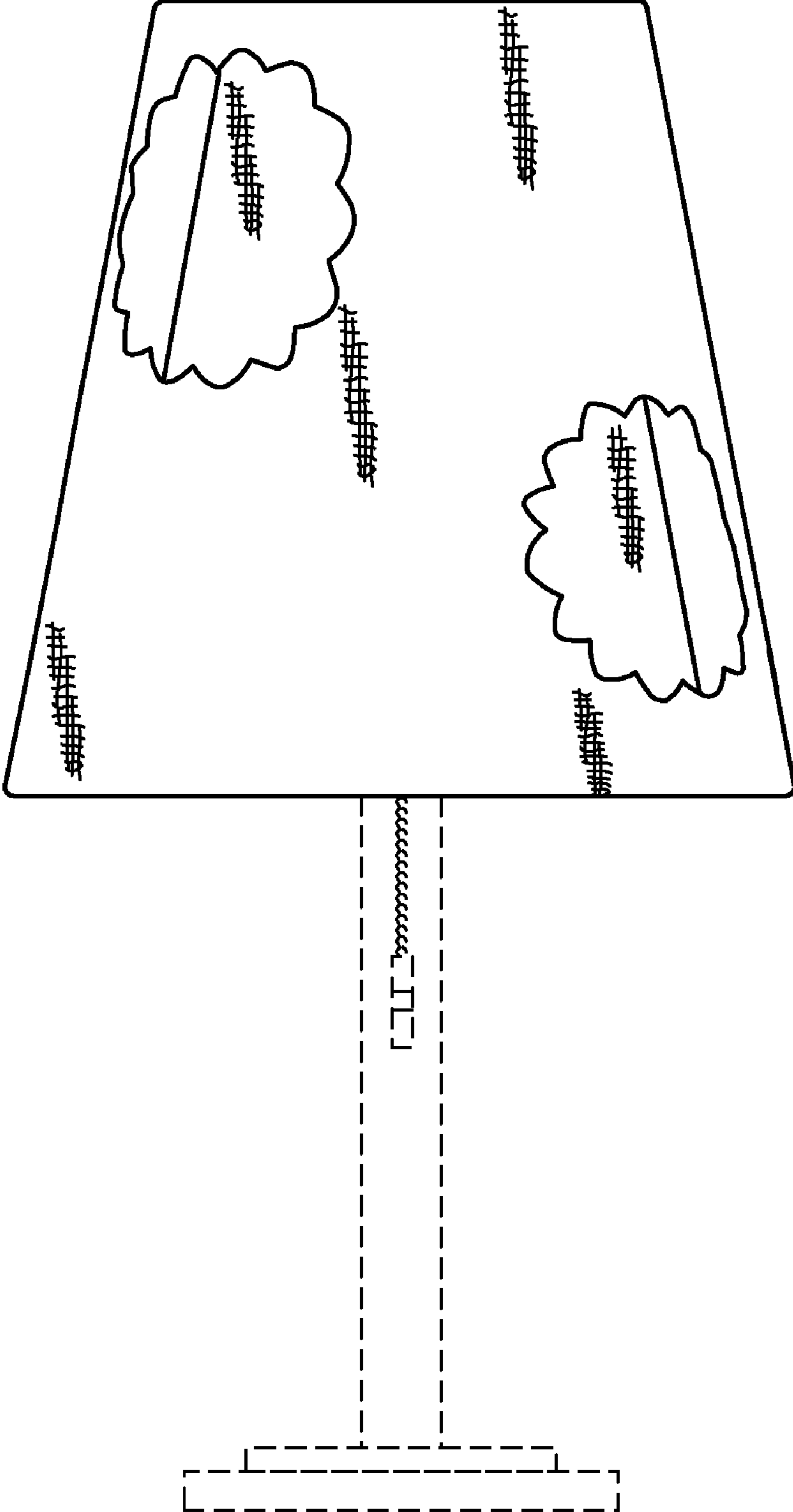


Fig. 2

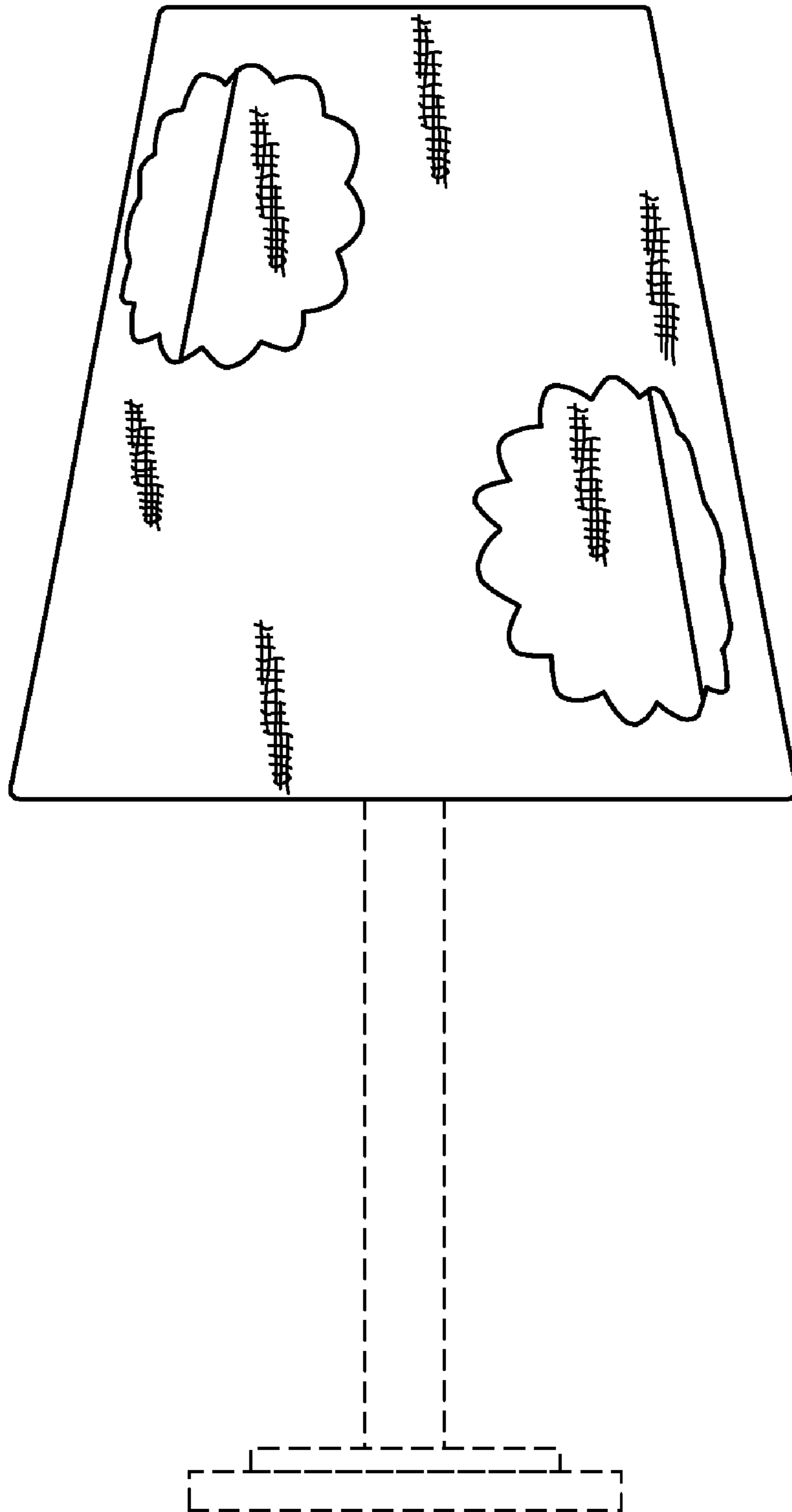


Fig. 3

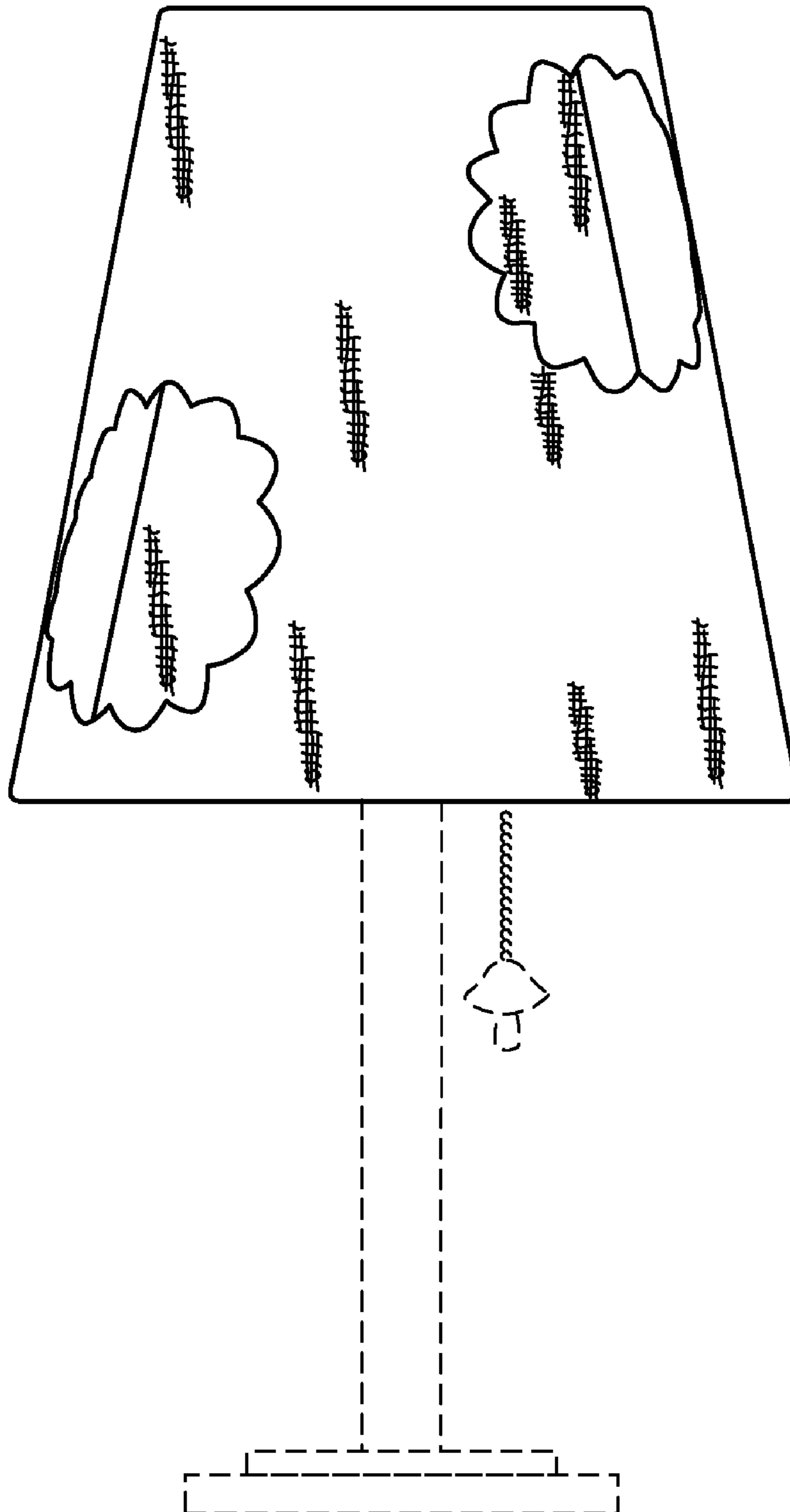


Fig. 4

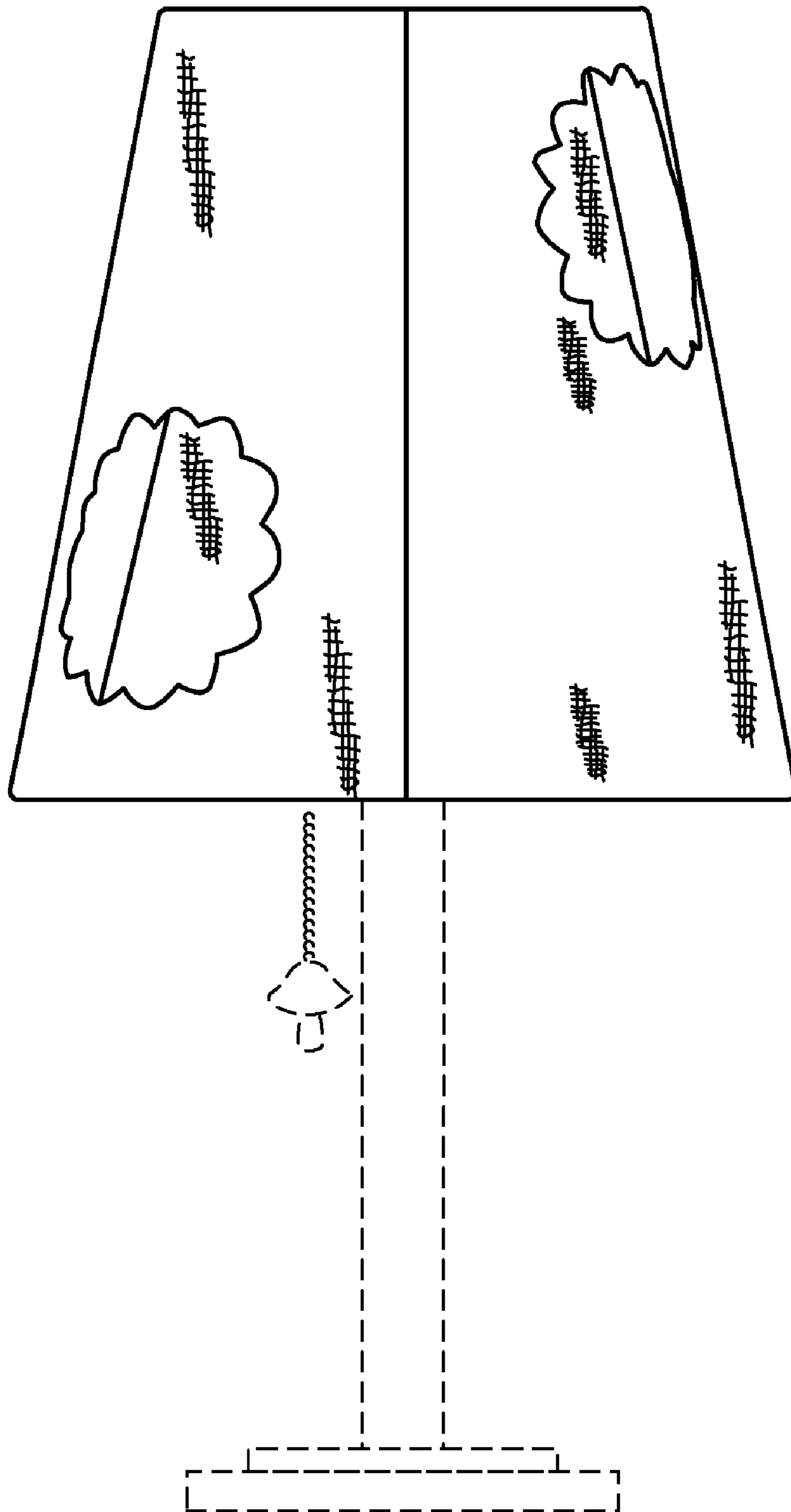


Fig. 5

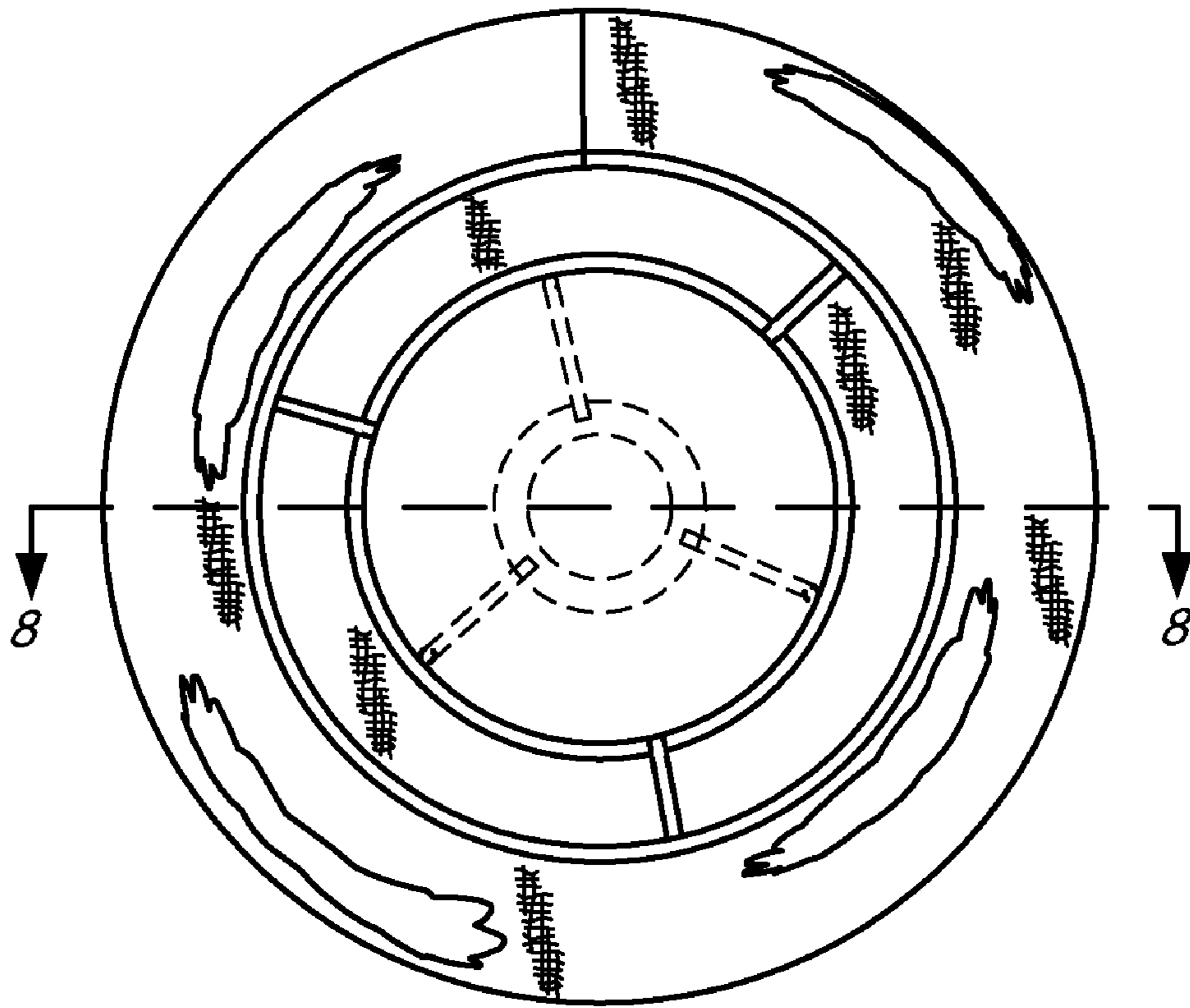


Fig. 6

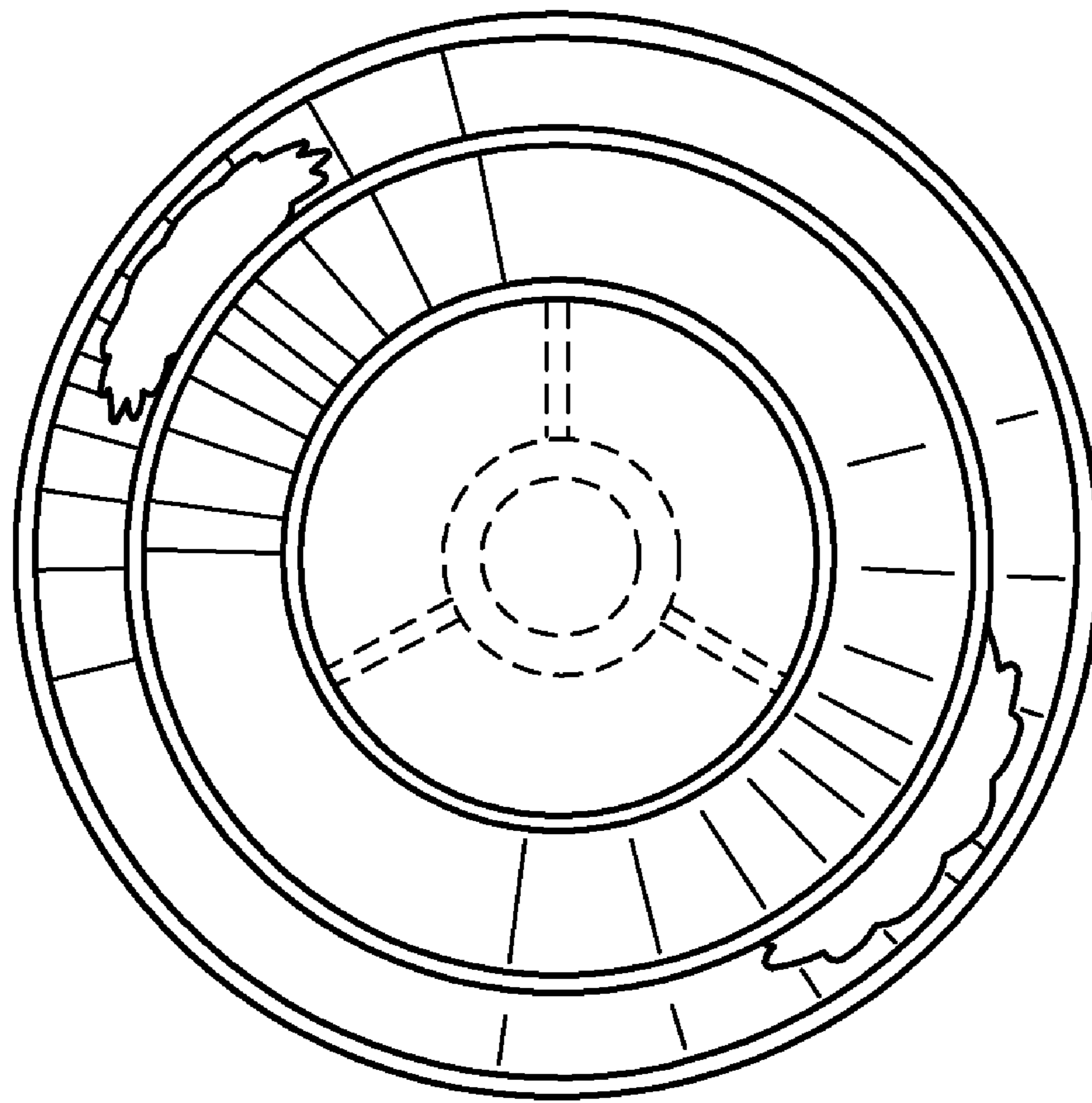


Fig. 7

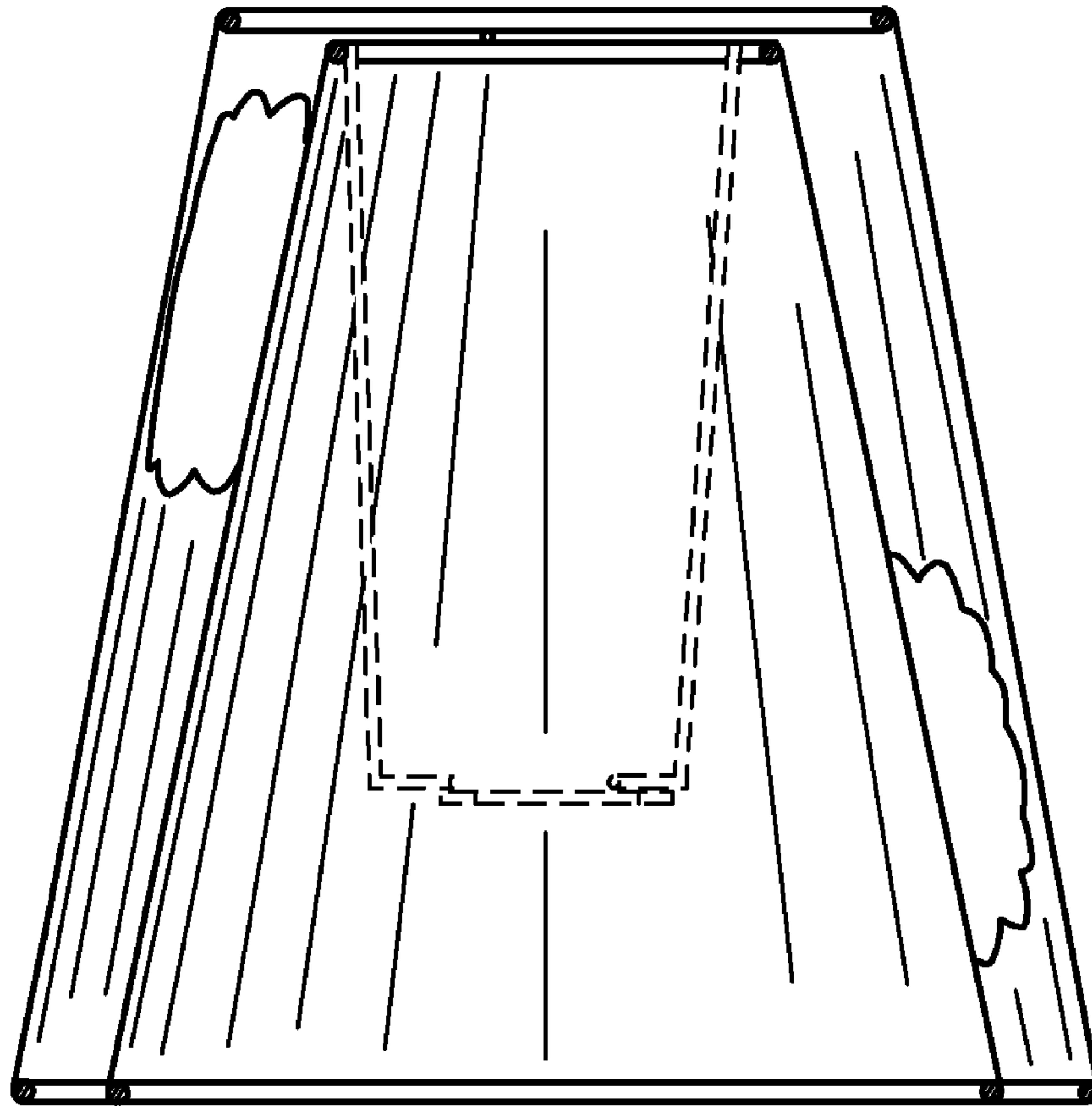


Fig. 8