



US00D616138S

(12) **United States Design Patent**
Lasthein et al.

(10) **Patent No.:** **US D616,138 S**
(45) **Date of Patent:** **** May 18, 2010**

(54) **LIGHT**

(76) Inventors: **Morten Lasthein**, c/o Thorn Lighting Ltd., 20 Farrington Road., London (GB) EC1M 3 AP; **Thomas Noreng**, c/o Thorn Lighting Ltd., 20 Farrington Road., London (GB) EC1M 3 AP

(**) Term: **14 Years**

(21) Appl. No.: **29/342,507**

(22) Filed: **Aug. 26, 2009**

Related U.S. Application Data

(62) Division of application No. 29/324,739, filed on Sep. 19, 2008, now Pat. No. Des. 602,627.

(30) **Foreign Application Priority Data**

Mar. 19, 2008 (EM) 000900816

(51) **LOC (9) Cl.** **26-03**

(52) **U.S. Cl.** **D26/76**

(58) **Field of Classification Search** D26/3,
D26/37, 67, 72, 74-79, 81-92, 118, 120;
362/147, 217-225, 132, 243, 260-263, 267,
362/283, 311, 337, 364, 806; 326/311; D23/372,
D23/328, 385

See application file for complete search history.

(56) **References Cited**

U.S. PATENT DOCUMENTS

D150,830 S * 9/1948 Daepner D26/77
2,487,468 A * 11/1949 Naysmith 362/221
2,678,380 A * 5/1954 Westby 362/220
3,673,402 A * 6/1972 Weiss 362/220
3,846,072 A 11/1974 Patterson
4,407,011 A 9/1983 Lahm
4,499,529 A * 2/1985 Figueroa 362/283
D300,873 S 4/1989 Thompson et al.
D334,076 S 3/1993 Dieperink et al.
5,357,413 A * 10/1994 Mandall 362/300

D364,478 S * 11/1995 Pesau D26/76
D377,231 S 1/1997 Degelmann
D378,860 S 4/1997 Galletly
D397,819 S * 9/1998 Thorton, Jr. D26/77
5,845,988 A * 12/1998 Mandall 362/376
D414,287 S * 9/1999 Sapper D26/76
6,161,939 A * 12/2000 Bansbach 362/223
6,382,817 B1 * 5/2002 Chelf 362/322

(Continued)

Primary Examiner—Philip S Hyder
Assistant Examiner—Susan E Krakower
(74) *Attorney, Agent, or Firm*—Marshall, Gerstein & Borun LLP

(57) **CLAIM**

The ornamental design for a light, as shown and described.

DESCRIPTION

FIG. 1 is a front view of a light that has the design.

FIG. 2 is a left side view of the light seen in FIG. 1.

FIG. 3 is a back view of the light.

FIG. 4 is a right side view of the light seen in FIG. 1.

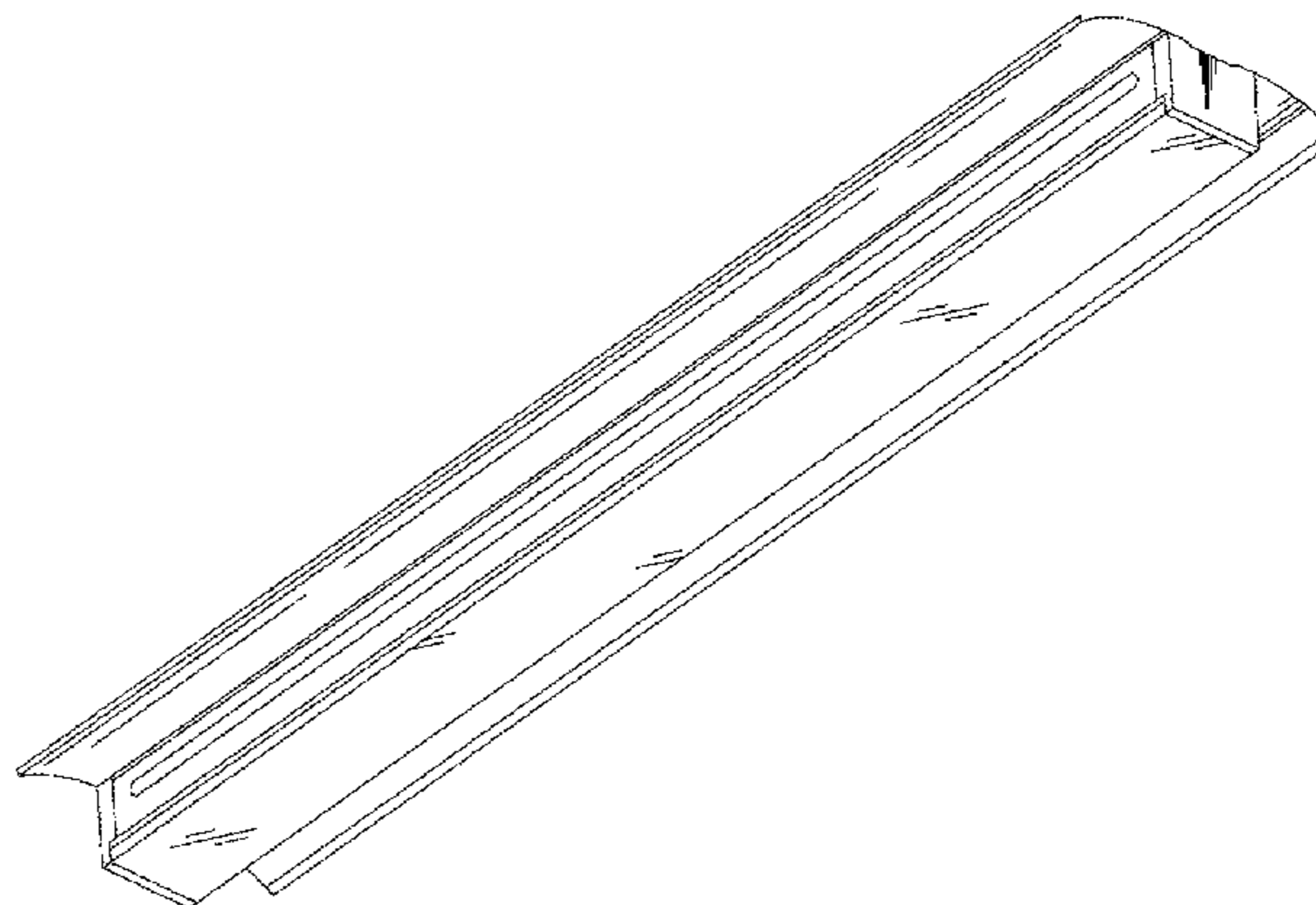
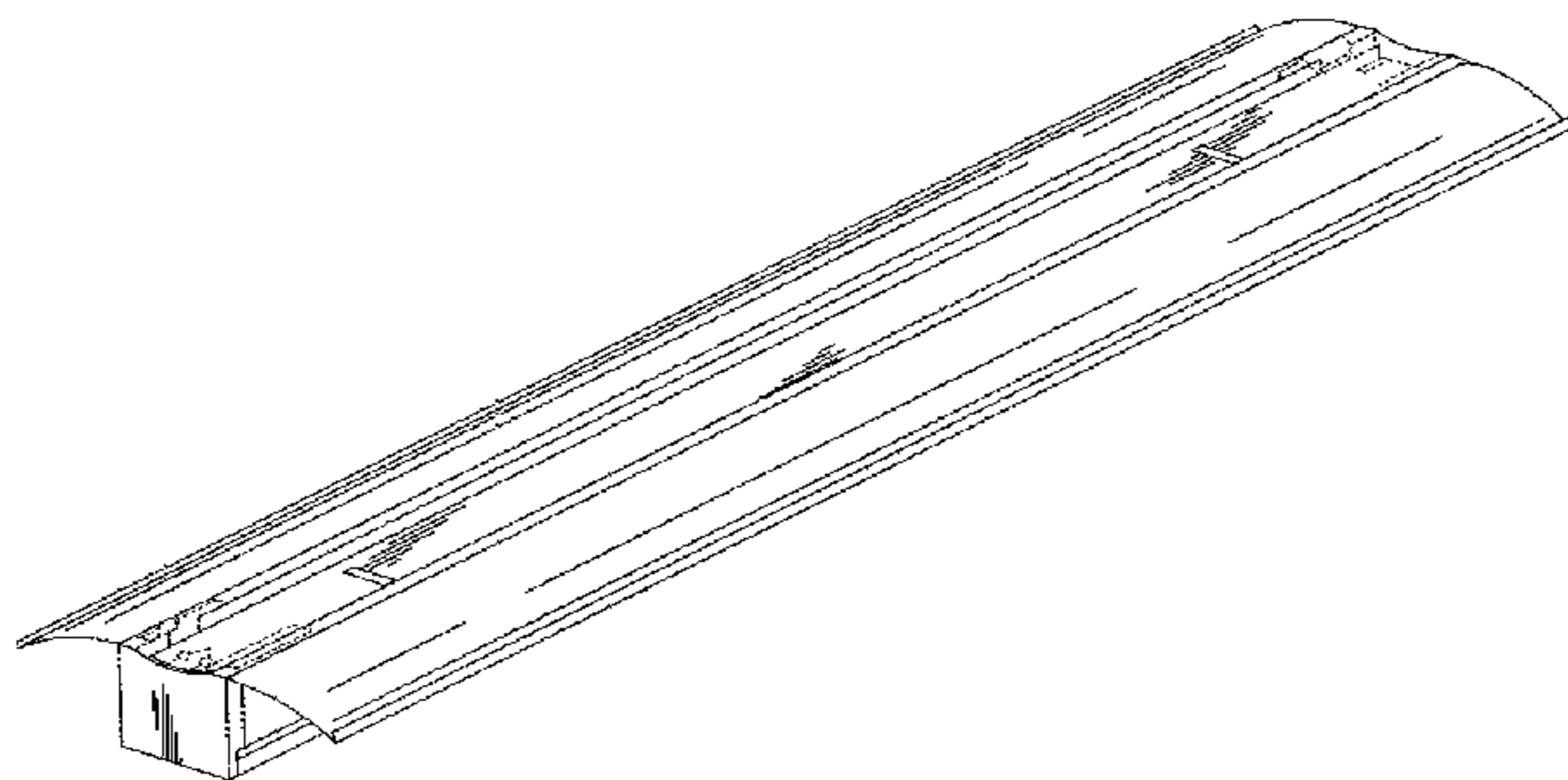
FIG. 5 is an end view of the light seen in FIG. 1. The opposite end view is a mirror image of this view.

FIG. 6 is a perspective view showing an end, a side, and the back of the light; and,

FIG. 7 is a perspective view showing an end, a side, and the front of the light.

The broken lines illustrate portions of the light that form no part of the claimed design.

1 Claim, 3 Drawing Sheets



US D616,138 S

Page 2

U.S. PATENT DOCUMENTS

6,431,726 B1 *	8/2002	Barton	362/220	D505,221 S *	5/2005	Hetfield	D26/76
D465,049 S *	10/2002	Ludwig	D26/78	D513,439 S *	1/2006	Hetfield	D26/76
D473,670 S	4/2003	Kelmelis et al.			D558,379 S	12/2007	Citterio		
D483,510 S *	12/2003	Fritze et al.	D26/75	D564,127 S *	3/2008	Pandorf et al.	D26/118
D485,932 S	1/2004	Crane			D569,026 S *	5/2008	Silver	D26/76
D496,749 S	9/2004	Kuebler			D602,627 S	10/2009	Lasthein et al.		
					2006/0109652 A1	5/2006	Pfund		

* cited by examiner

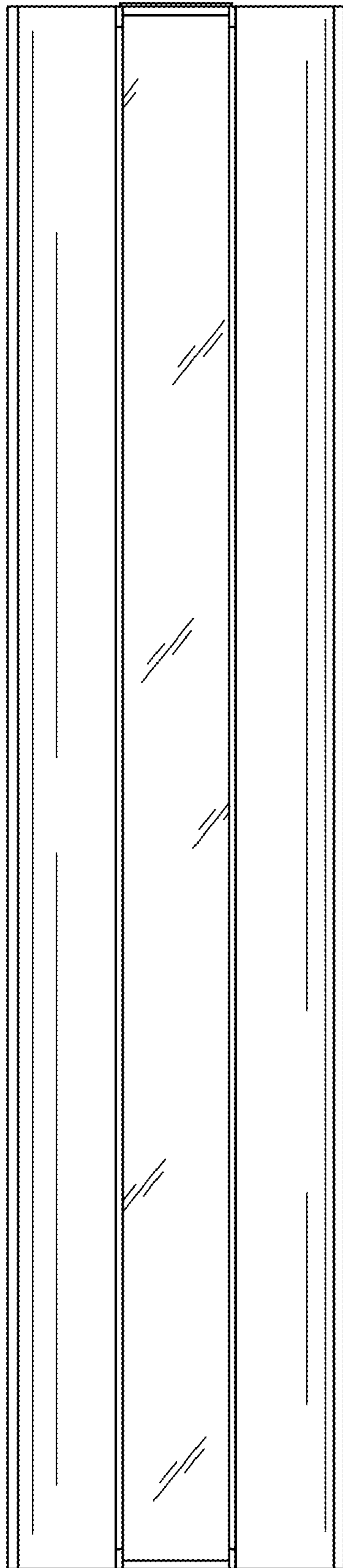


Fig. 1

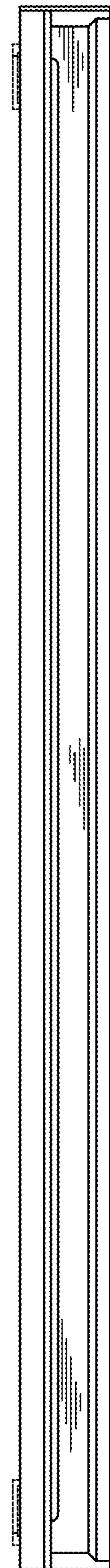


Fig. 2

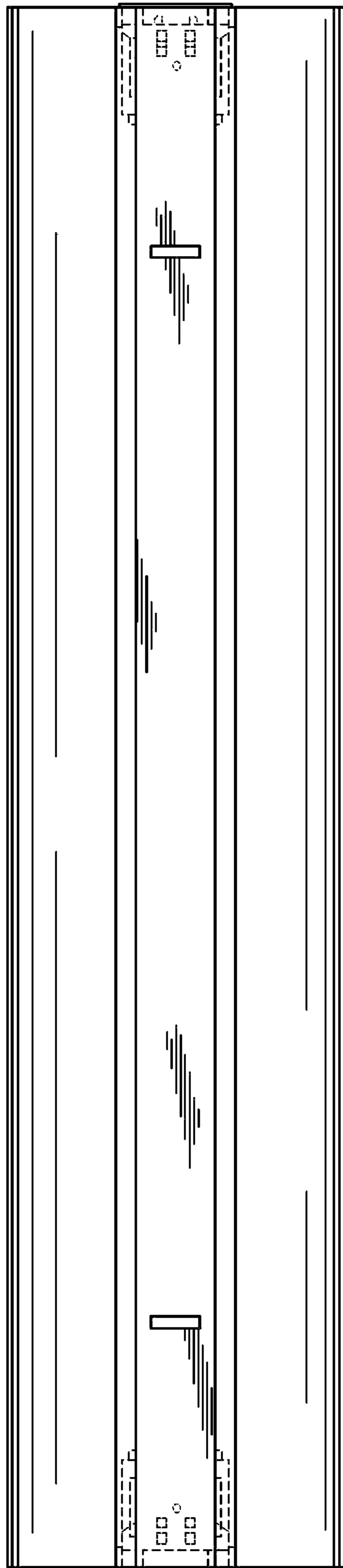


Fig. 3

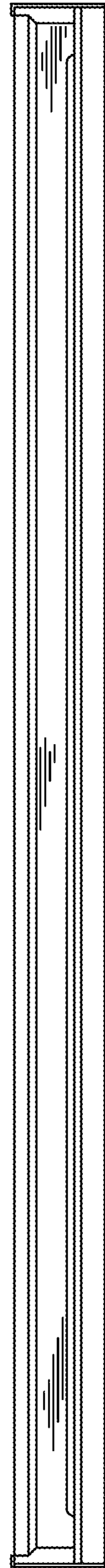


Fig. 4

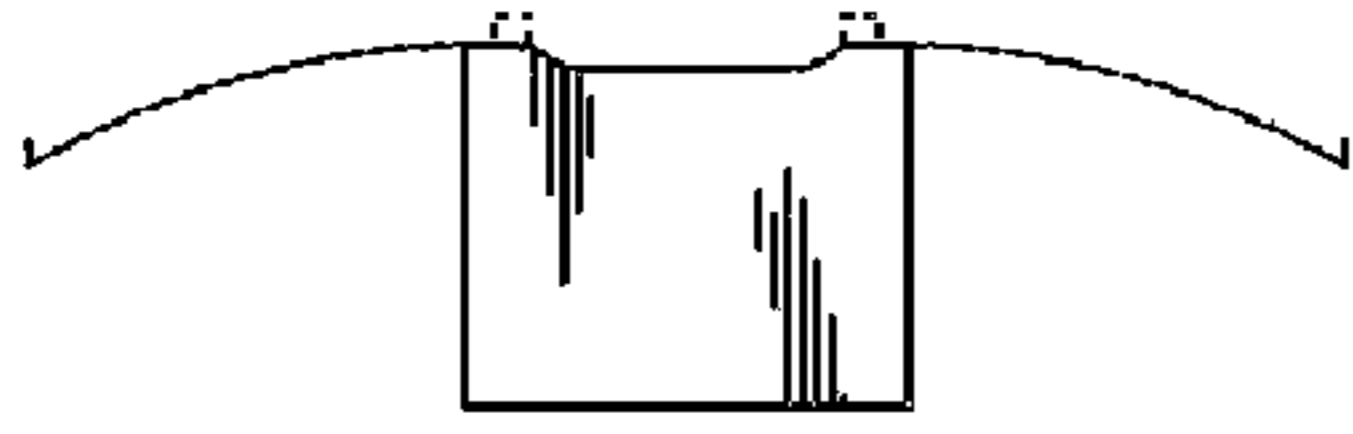


Fig. 5

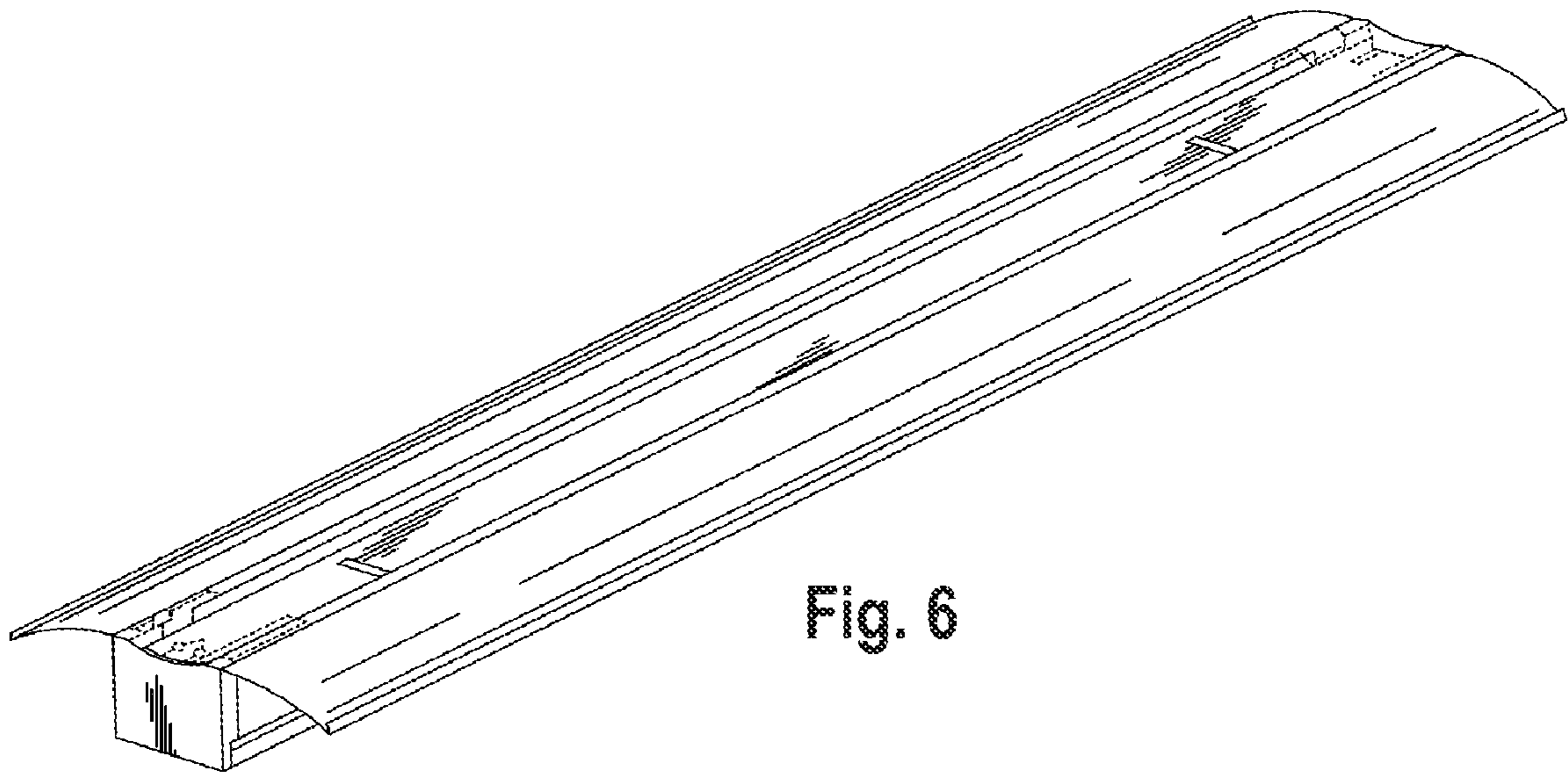


Fig. 6

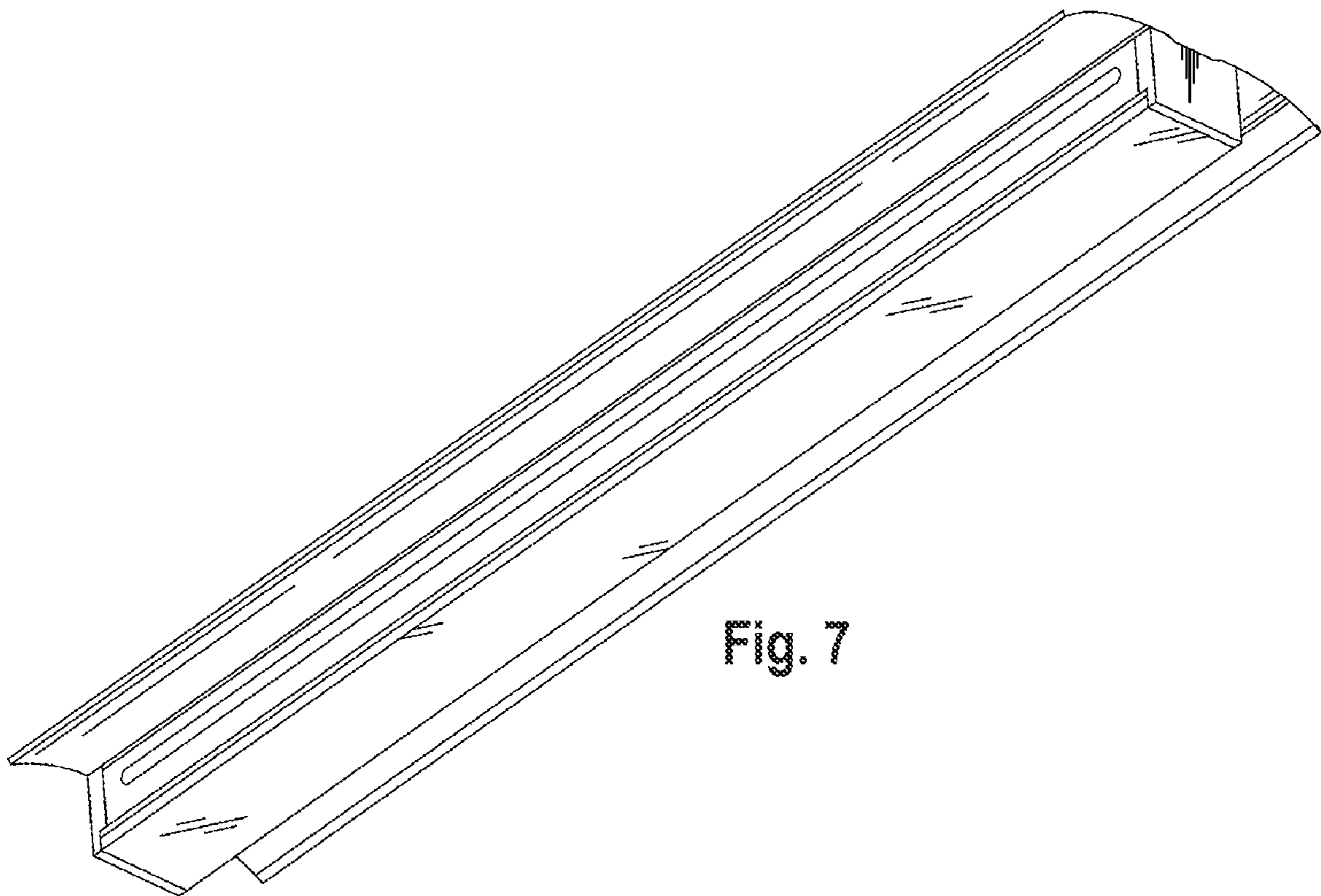


Fig. 7