



US00D616137S

(12) **United States Design Patent**
Bucher et al.

(10) **Patent No.:** **US D616,137 S**

(45) **Date of Patent:** **** May 18, 2010**

(54) **SIGN LIGHT DEVICE**

(75) Inventors: **John C. Bucher**, Hillsboro Beach, FL
(US); **Shou-Pyng Wang**, Taichung (TW)

(73) Assignee: **Chien Luen Industries Co., Ltd., Inc.**,
Oakland Park, FL (US)

(**) Term: **14 Years**

(21) Appl. No.: **29/329,029**

(22) Filed: **Dec. 8, 2008**

(51) **LOC (9) Cl.** **26-03**

(52) **U.S. Cl.** **D26/72**

(58) **Field of Classification Search** D26/60–66,
D26/72–92, 67–71, 93, 51, 52, 53, 56; 40/541–549,
40/572–580; D20/17, 19, 39, 41, 42; 362/410–413,
362/812, 253, 414, 183, 432, 101, 102, 157–159,
362/364; D6/399

See application file for complete search history.

(56) **References Cited**

U.S. PATENT DOCUMENTS

5,101,329	A	3/1992	Doyle	
D336,352	S *	6/1993	Dieperink et al.	D26/76
D377,993	S *	2/1997	Herst et al.	D26/107
D379,545	S *	5/1997	Houghton et al.	D26/67
5,988,100	A *	11/1999	Schmitt	116/173
6,092,318	A	7/2000	Arie et al.	
6,522,263	B2	2/2003	Jones	
6,604,840	B2	8/2003	Watson	
7,231,735	B2	6/2007	Gelbert	
7,422,348	B1 *	9/2008	Yates, II	362/364
2006/0050528	A1	3/2006	Lyons et al.	
2006/0130382	A1	6/2006	Howell et al.	
2006/0260160	A1	11/2006	Herman	

2006/0291241 A1 12/2006 Wojtowicz et al.
2007/0017131 A1 1/2007 Visotcky et al.
2007/0159817 A1 7/2007 Evans et al.
2007/0206378 A1 9/2007 Meyers et al.

* cited by examiner

Primary Examiner—Susan Moon Lee

Assistant Examiner—Linda G. Brooks

(74) *Attorney, Agent, or Firm*—Brian S. Steinberger; Law
Offices of Brian S. Steinberger, P.A.

(57) **CLAIM**

The ornamental design for a sign light device, as shown and
described.

DESCRIPTION

FIG. 1 is an upper top left front perspective view of the sign
light device.

FIG. 2 is a lower bottom right front perspective view of the
sign light device of FIG. 1.

FIG. 3 is a top view of the sign light device of FIG. 1.

FIG. 4 is a bottom view of the sign light device of FIG. 1.

FIG. 5 is a front view of the sign light device of FIG. 1

FIG. 6 is a rear view of the sign light device of FIG. 1.

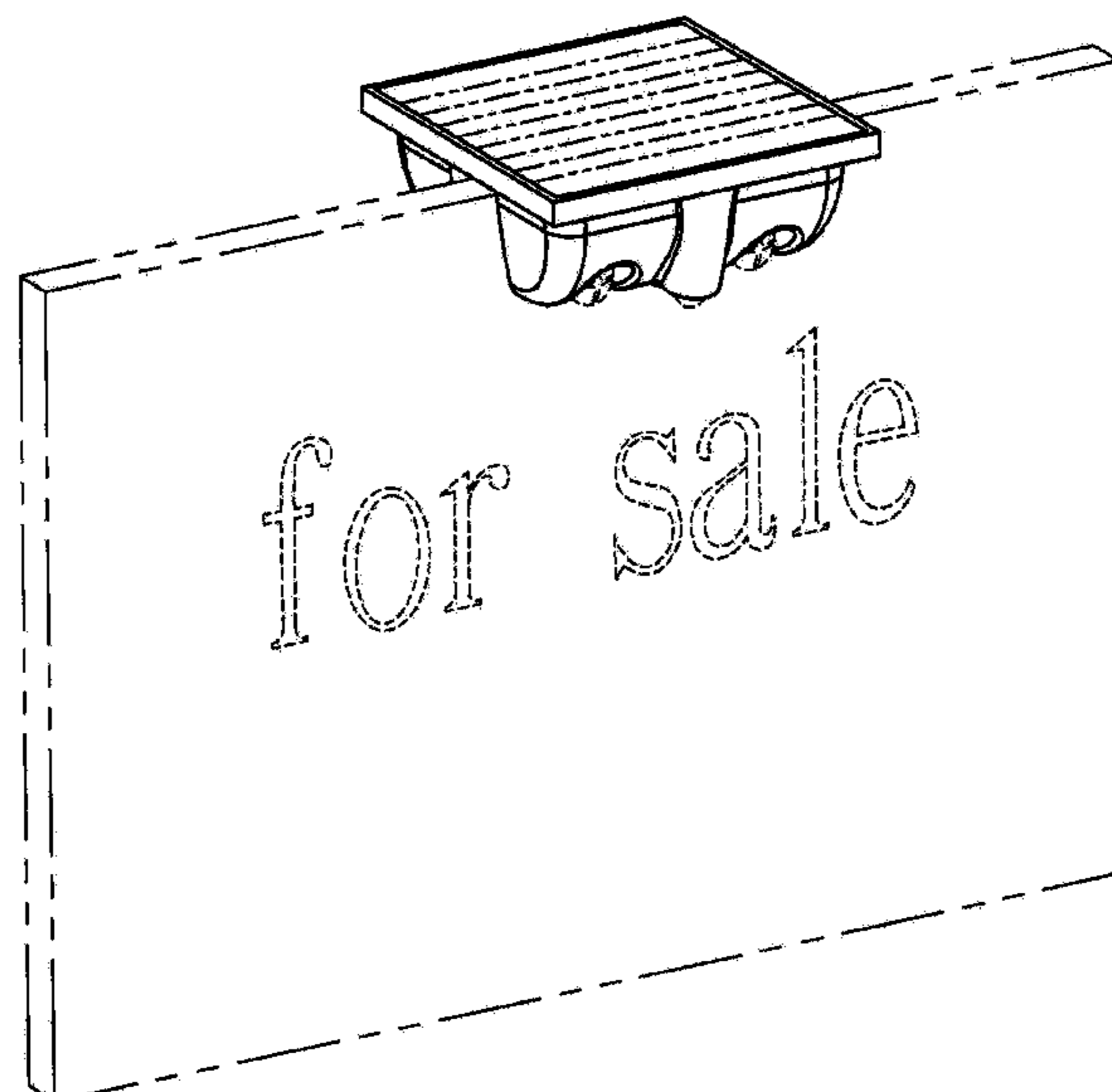
FIG. 7 is a left side view of the sign light device of FIG. 1.

FIG. 8 is a right side view of the sign light device of FIG. 1;
and,

FIG. 9 is a perspective view of the sign light device of FIG. 1
shown in position of use on a sign.

The broken lines in the figures representing fasteners, bulbs,
LED's and a sign are for the purpose of illustrating environ-
mental structure and form no part of the claimed design.

1 Claim, 9 Drawing Sheets



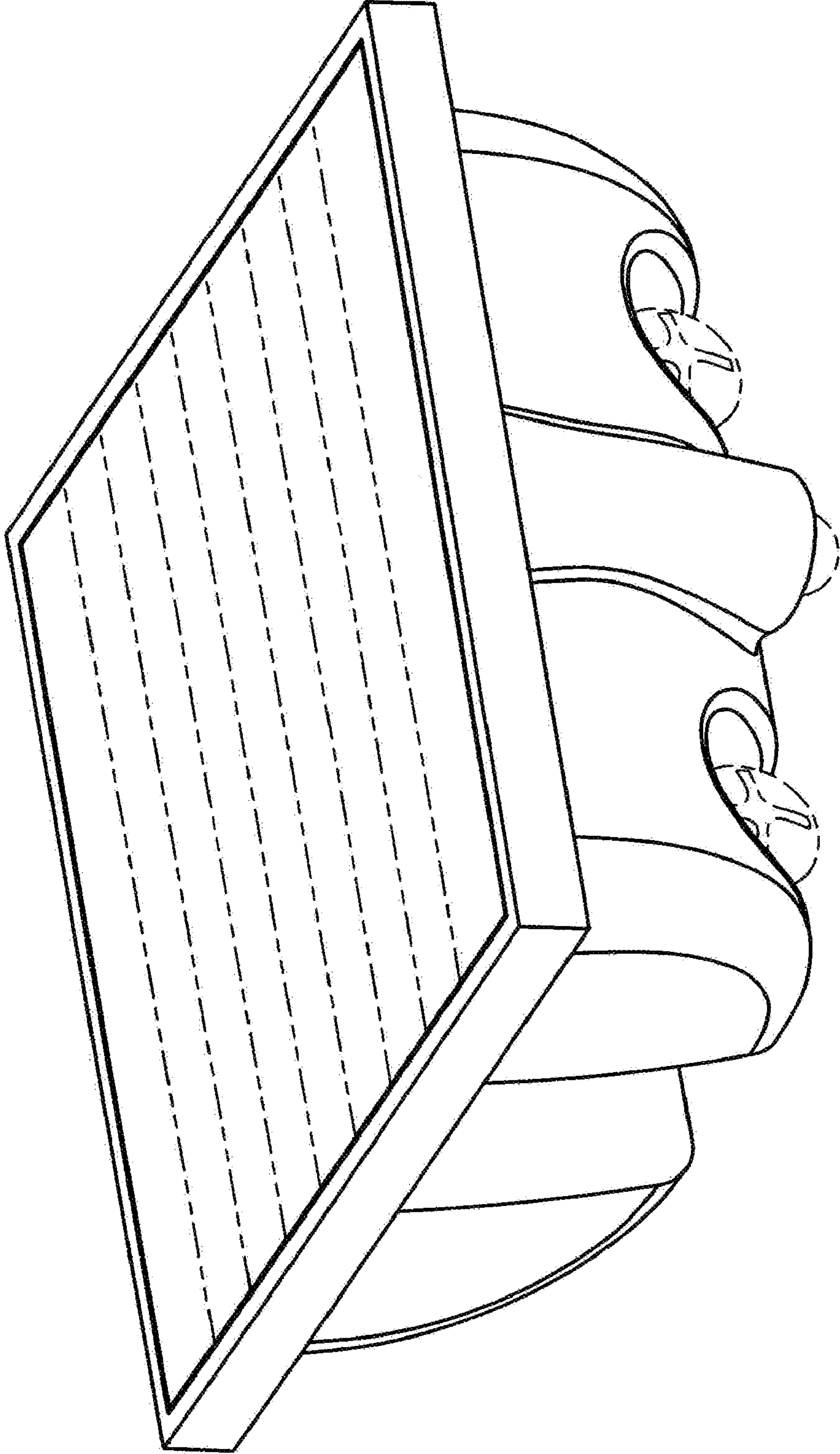


FIG. 1

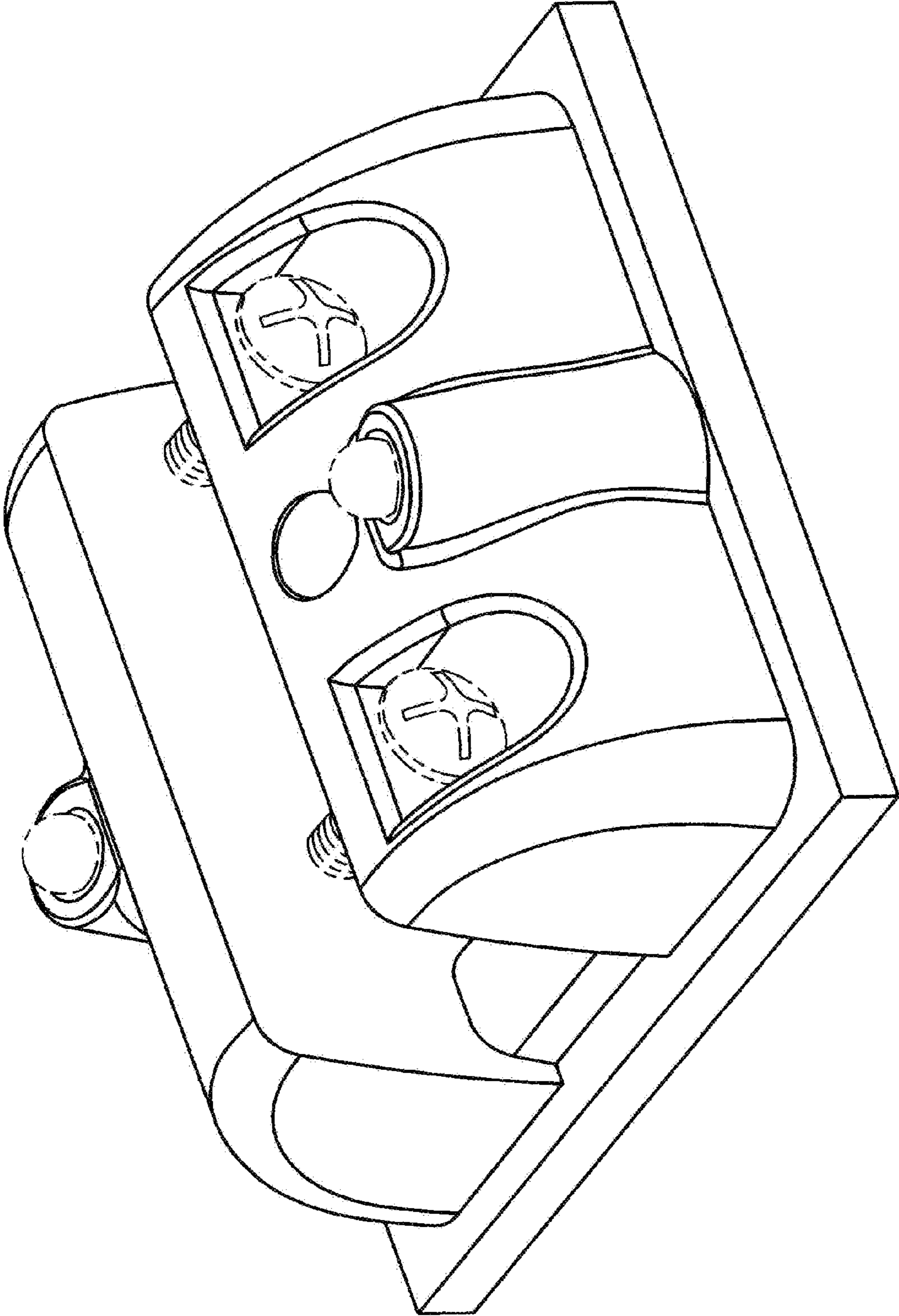


FIG. 2

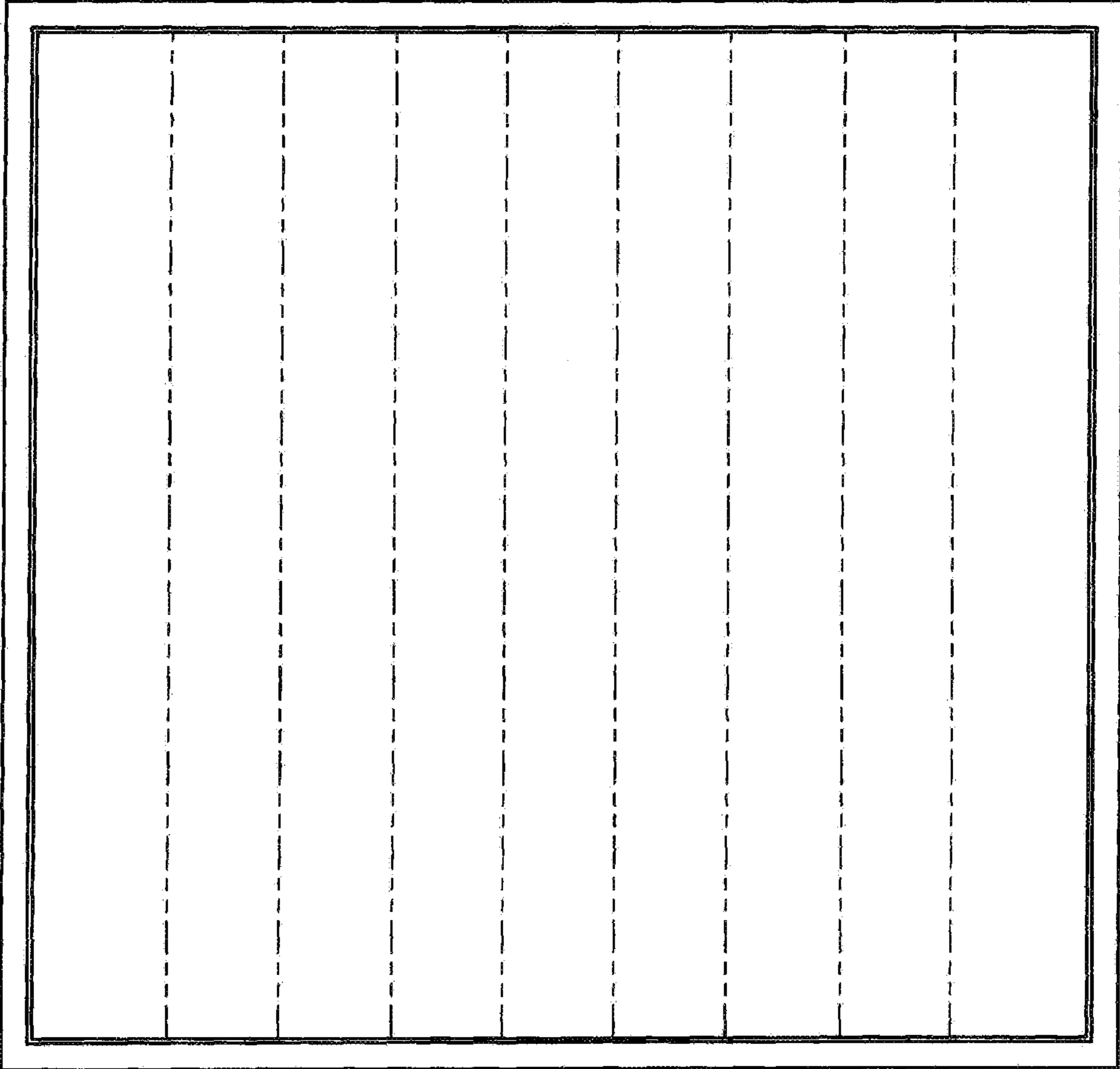


FIG. 3

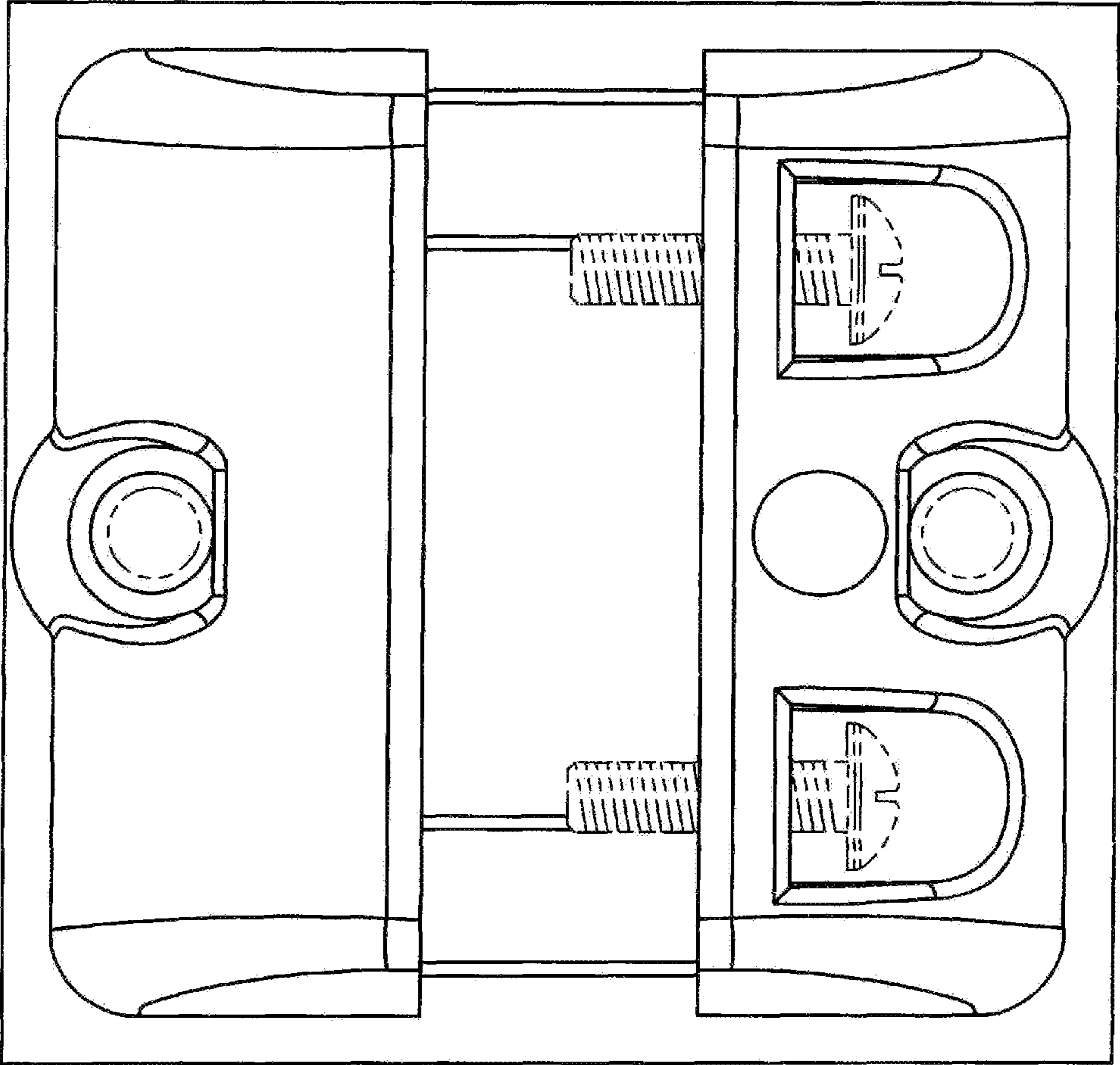


FIG. 4

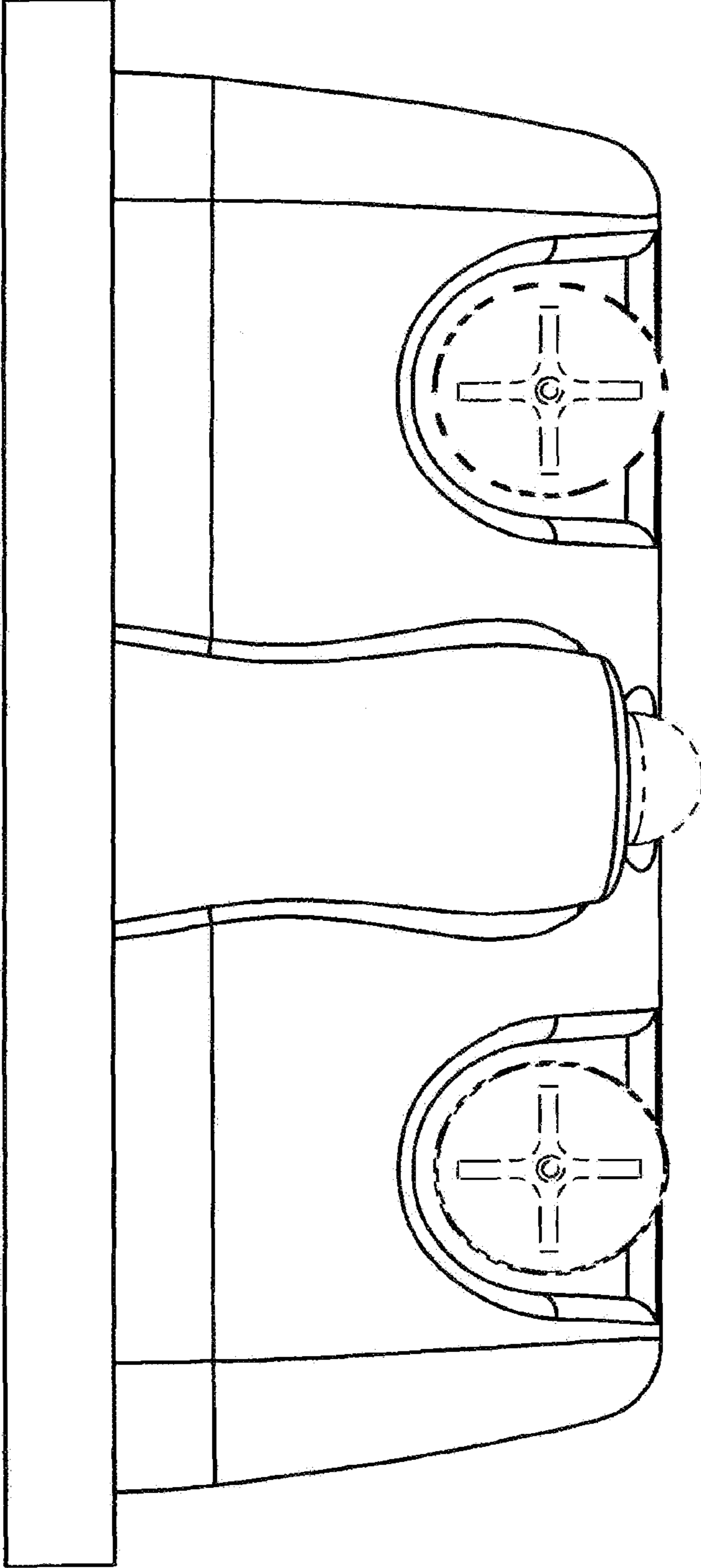


FIG. 5

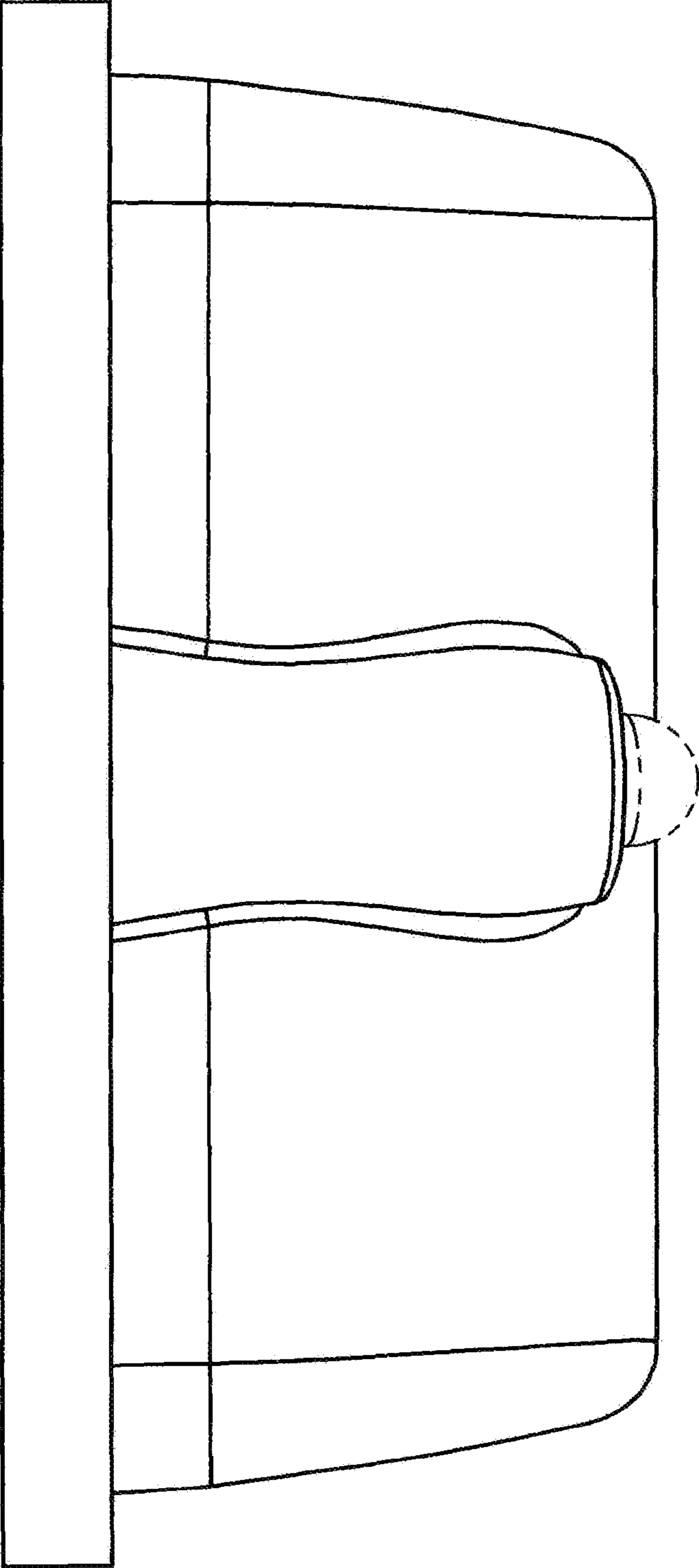


FIG. 6

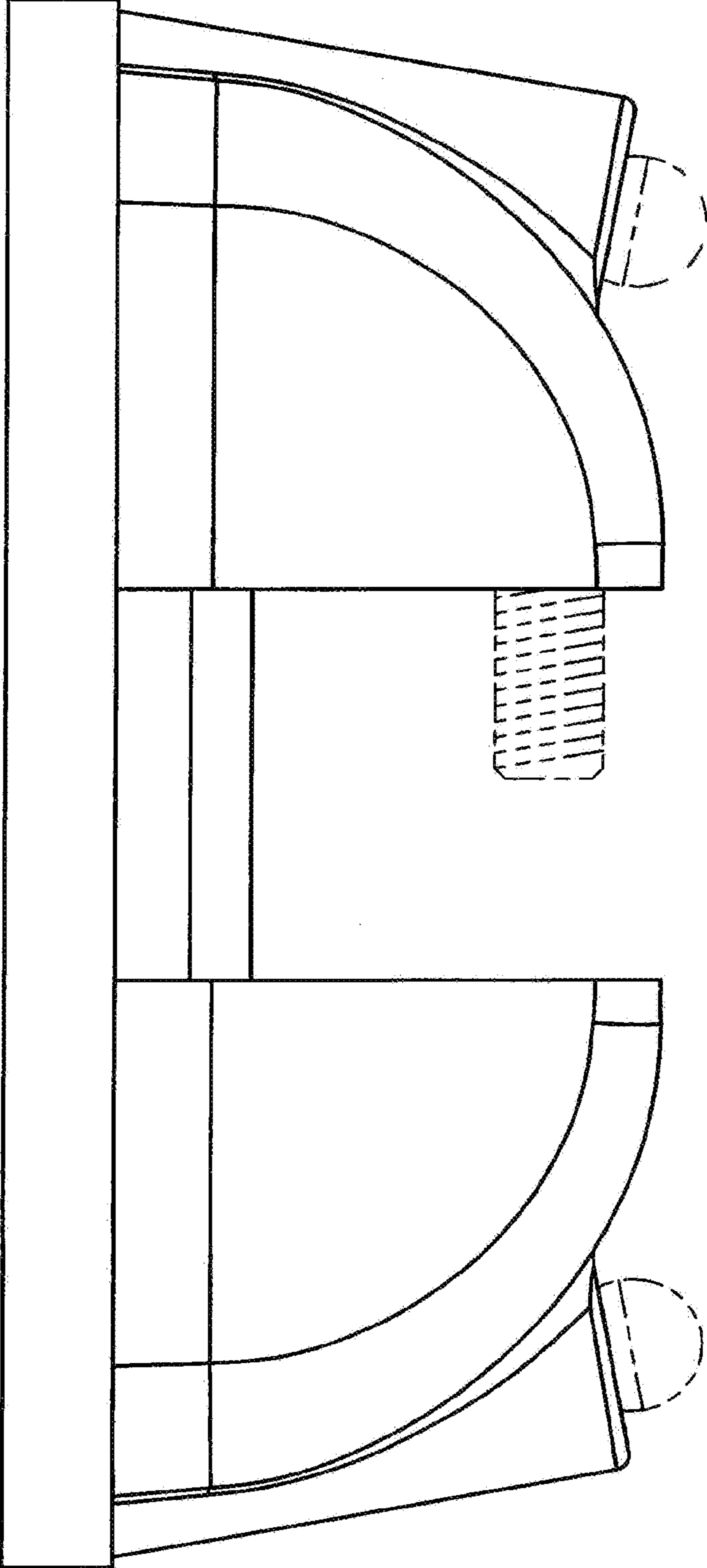


FIG. 7

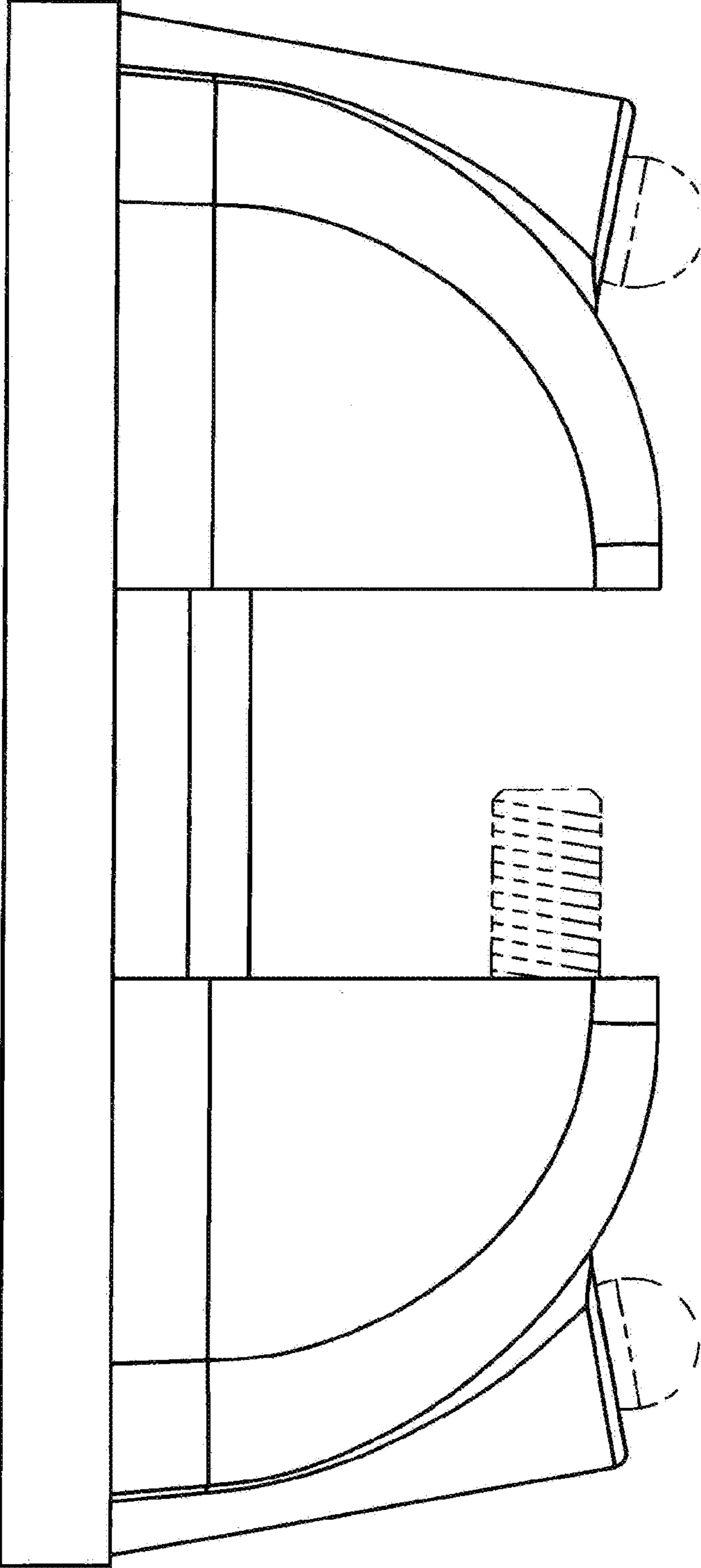


FIG. 8

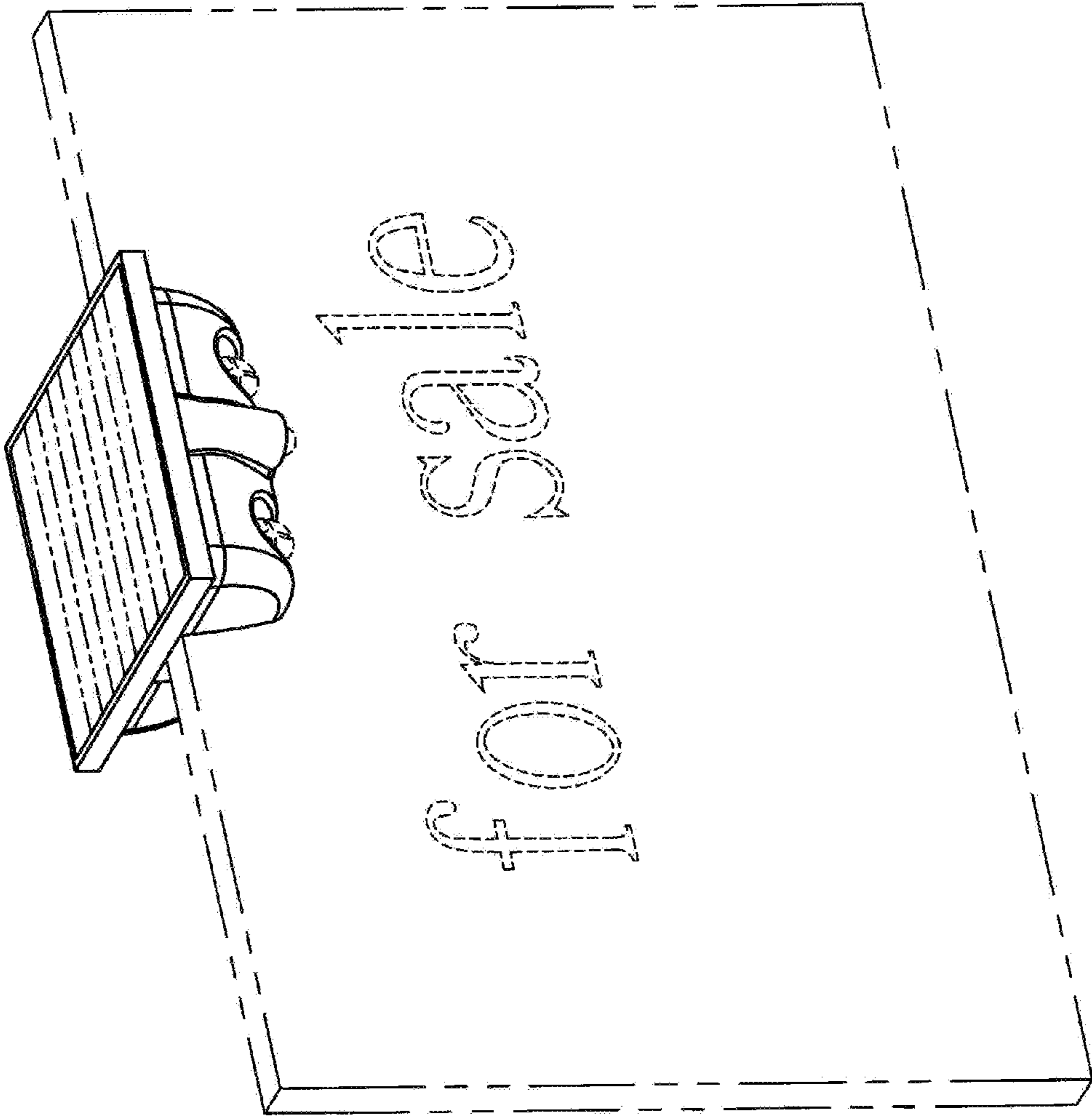


FIG. 9