



US00D616136S

(12) **United States Design Patent**
Lavallee

(10) **Patent No.:** **US D616,136 S**

(45) **Date of Patent:** **** May 18, 2010**

(54) **LUMINAIRE**

(76) Inventor: **Guy Lavallee**, 640, Mgr Dubois,
Saint-Jérôme, Quebec (CA) J7Y 3L8

(**) Term: **14 Years**

(21) Appl. No.: **29/311,881**

(22) Filed: **Jul. 22, 2009**

(51) **LOC (9) Cl.** **26-05**

(52) **U.S. Cl.** **D26/71; D26/68**

(58) **Field of Classification Search** D26/63,
D26/67-72, 84, 85, 92; 362/145, 152, 183,
362/294, 373, 414, 431, 545, 800, 249.02,
362/249.03, 249.14, 426

See application file for complete search history.

(56) **References Cited**

U.S. PATENT DOCUMENTS

D177,916	S	*	6/1956	Keck et al.	D26/71
D194,480	S	*	1/1963	Rodriguez et al.	D26/71
3,116,023	A	*	12/1963	Van Dusen, Jr. et al.	362/294
D205,719	S	*	9/1966	Pettengill	D26/69
3,315,072	A	*	4/1967	Harling	362/329
4,527,225	A	*	7/1985	Hartman	362/294

D285,010	S	*	8/1986	Mullins	D26/67
D354,367	S	*	1/1995	Harrington	D26/68
D390,680	S	*	2/1998	Giese et al.	D26/68
D423,131	S	*	4/2000	Giese et al.	D26/68
D451,227	S	*	11/2001	Orellana et al.	D26/67
D591,887	S	*	5/2009	Tortel	D26/67
D599,935	S	*	9/2009	van Klinken	D26/67

* cited by examiner

Primary Examiner—Clare E Heflin

(57) **CLAIM**

The ornamental design for a “luminaire”, as shown.

DESCRIPTION

FIG. 1 is a perspective view of a luminaire incorporating a design according to the invention;

FIG. 2 is a left side elevational view thereof;

FIG. 3 is a right side elevational view thereof;

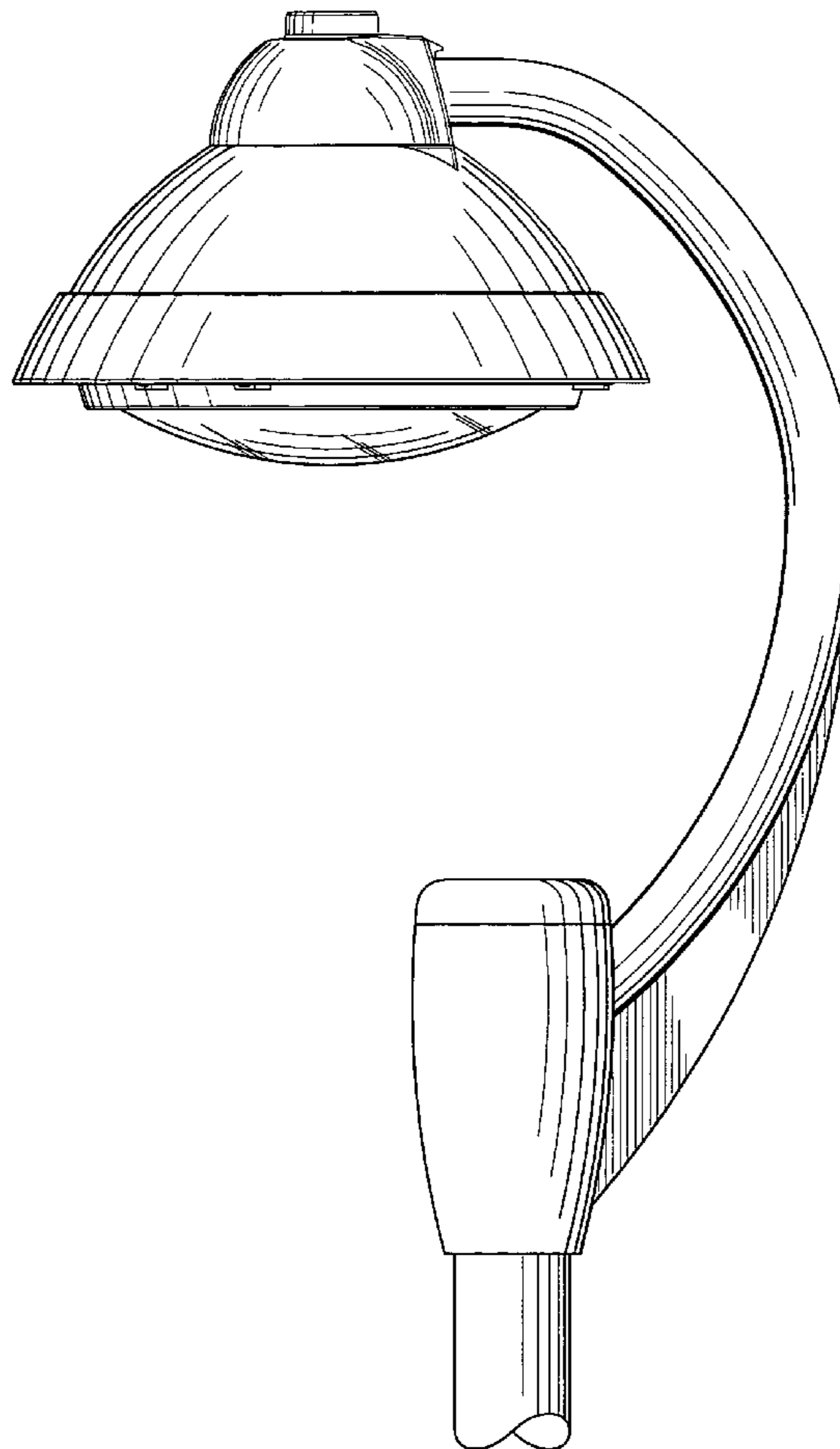
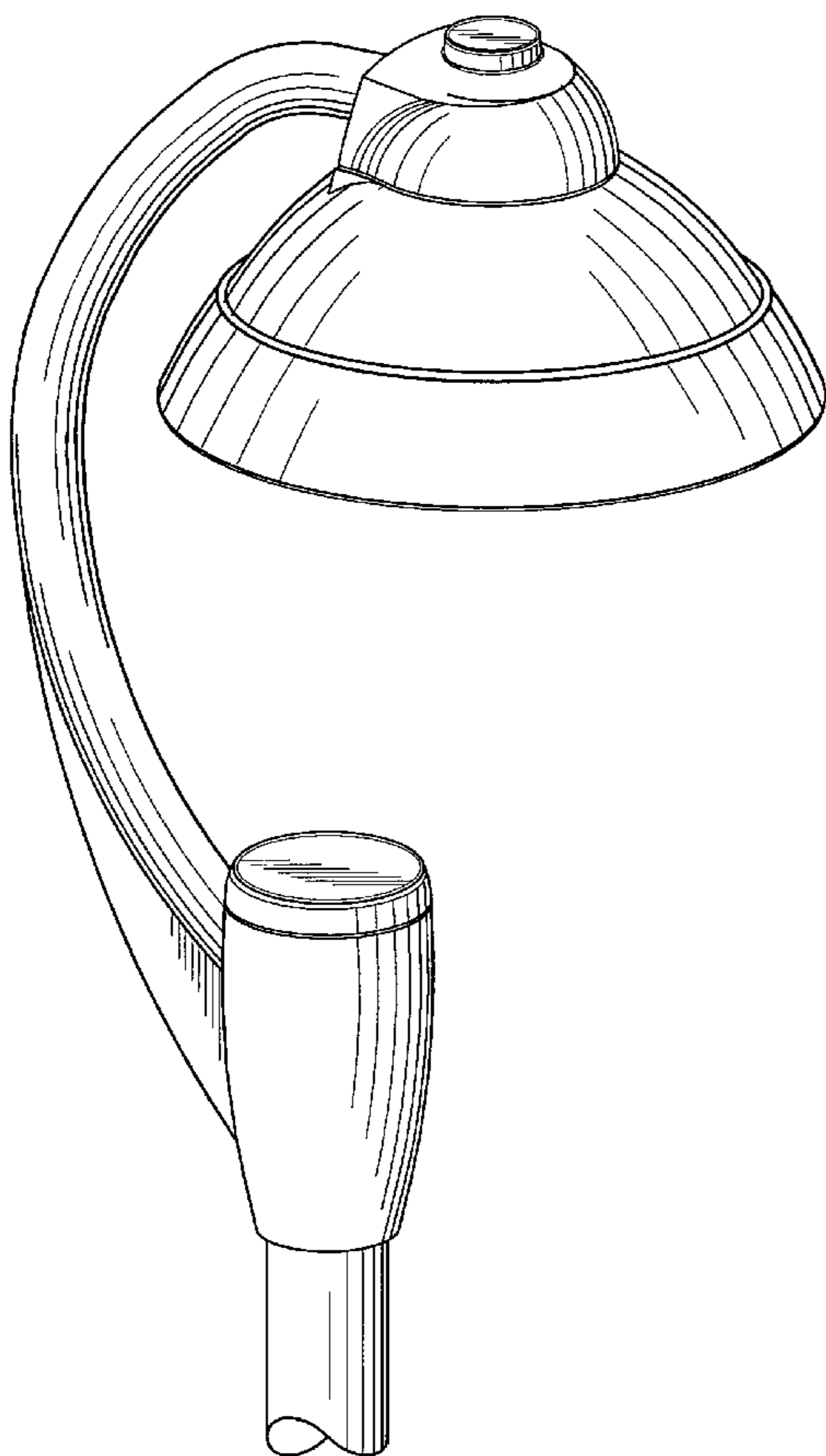
FIG. 4 is a front elevational view thereof;

FIG. 5 is a rear elevational view thereof;

FIG. 6 is a bottom plan view thereof; and,

FIG. 7 is a top plan view thereof.

1 Claim, 6 Drawing Sheets



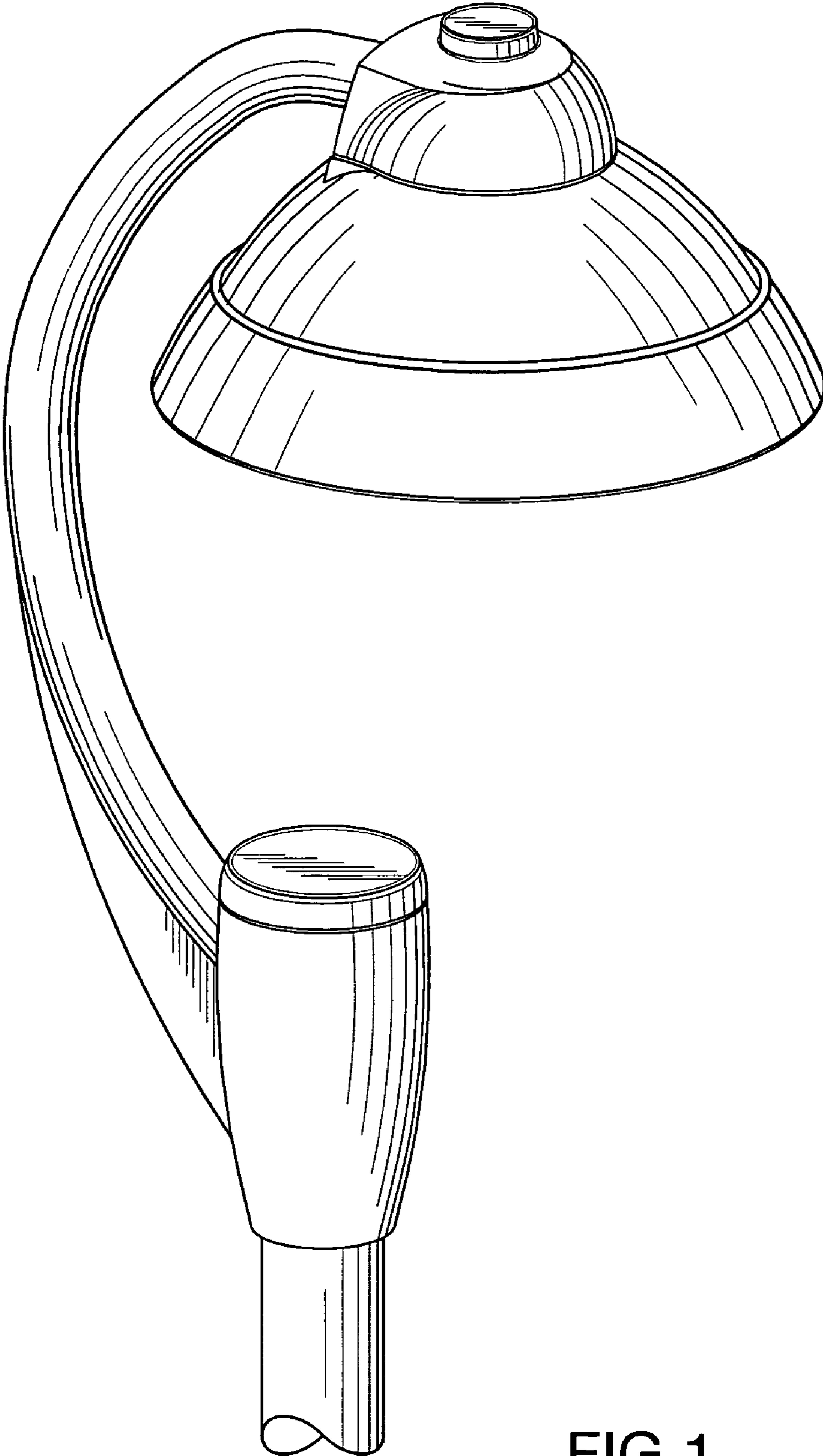


FIG. 1

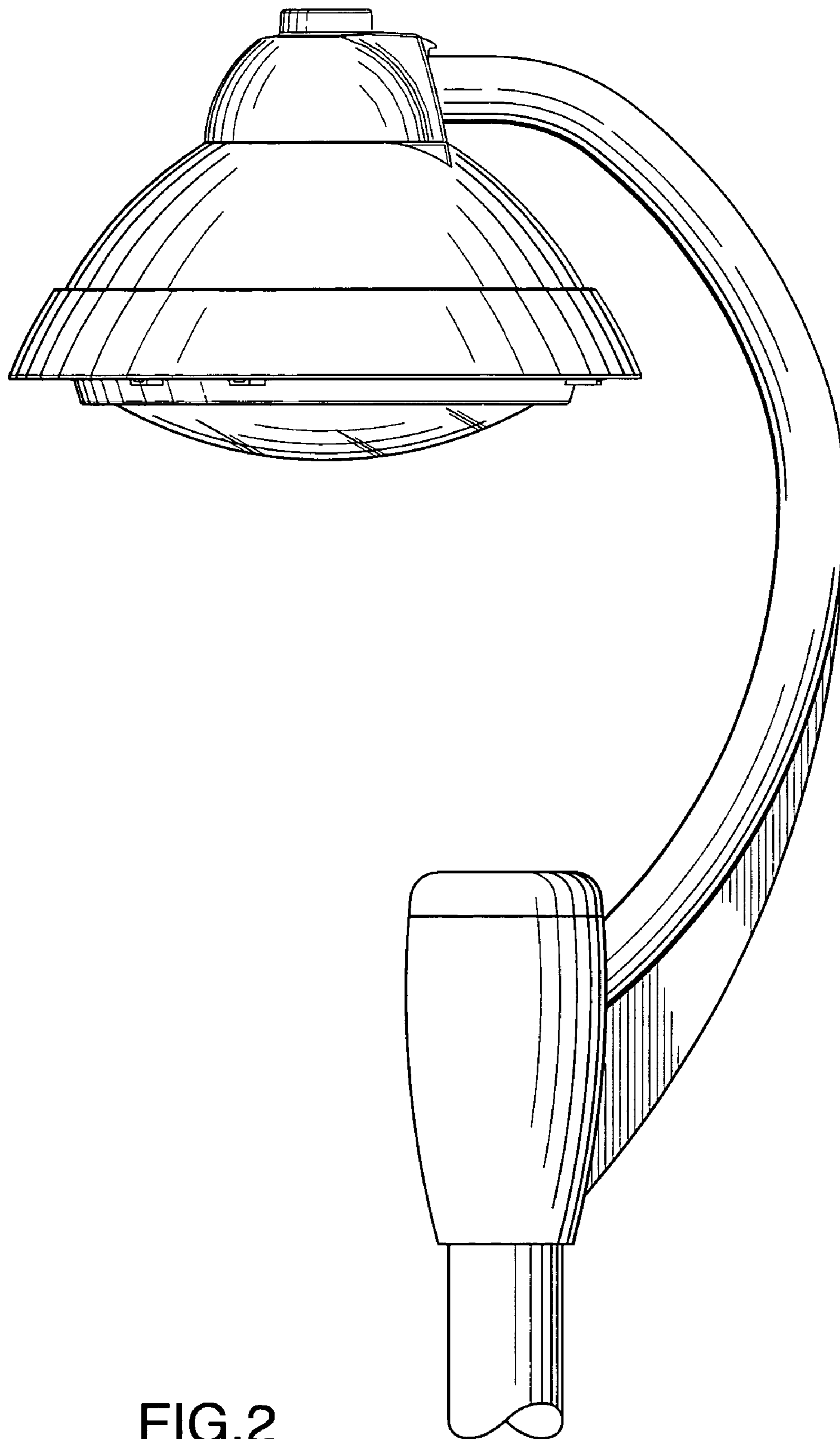


FIG. 2

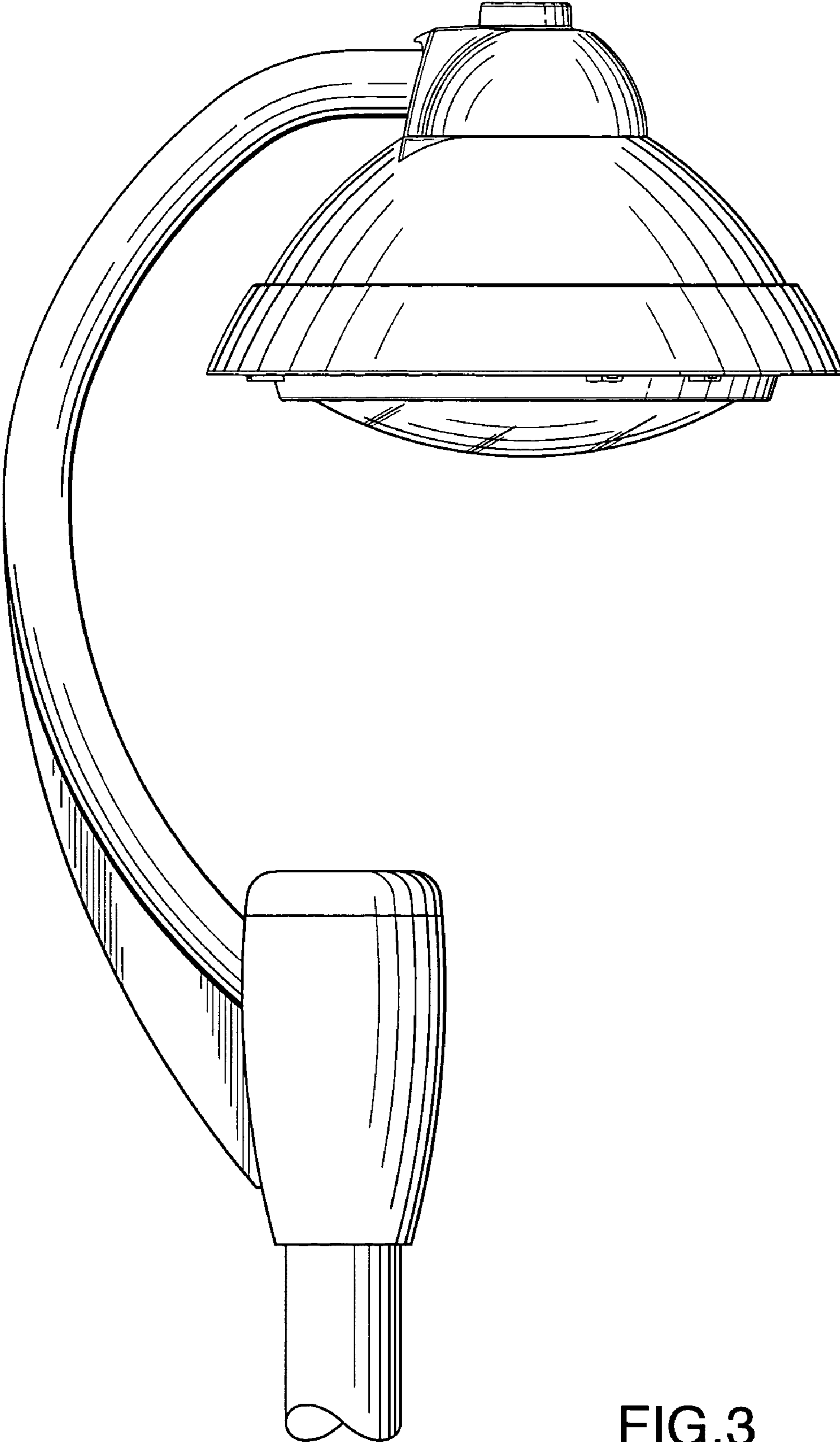


FIG.3

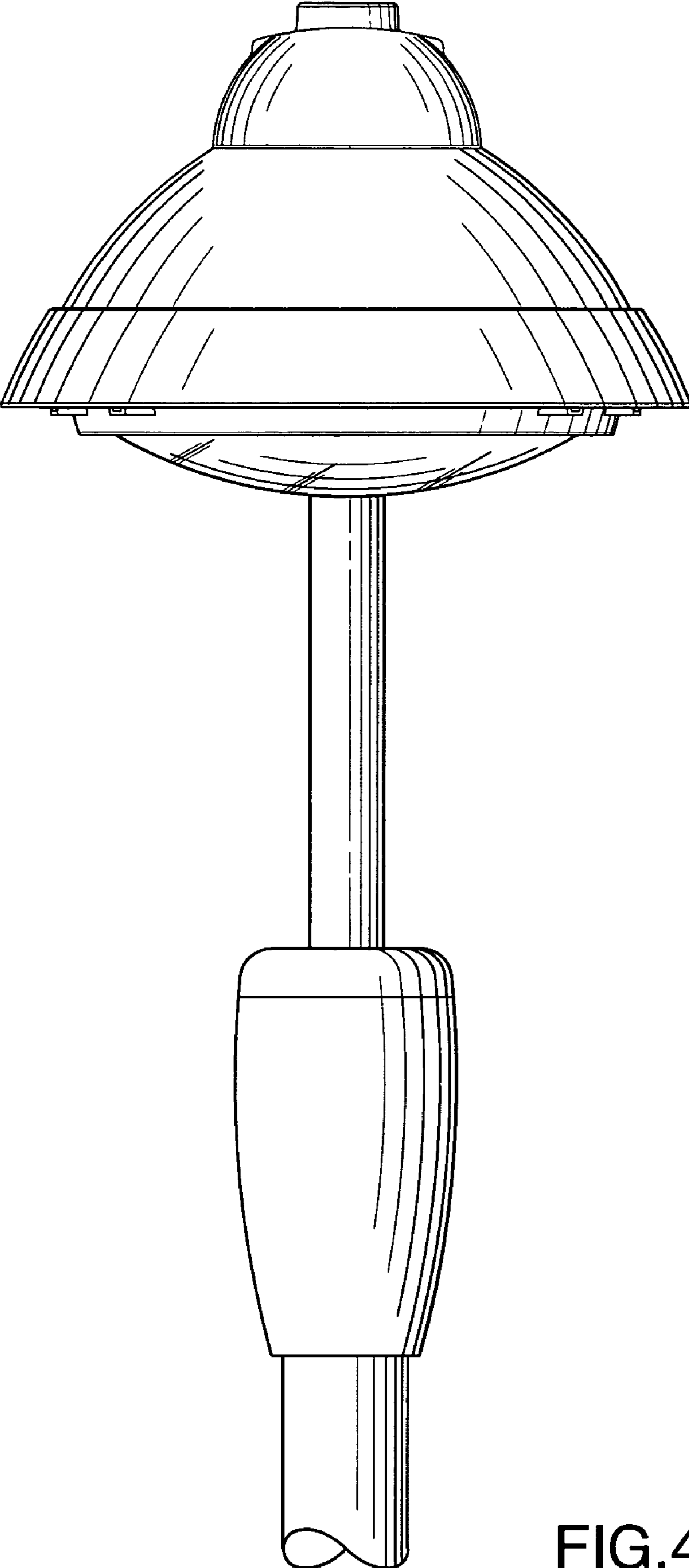


FIG. 4

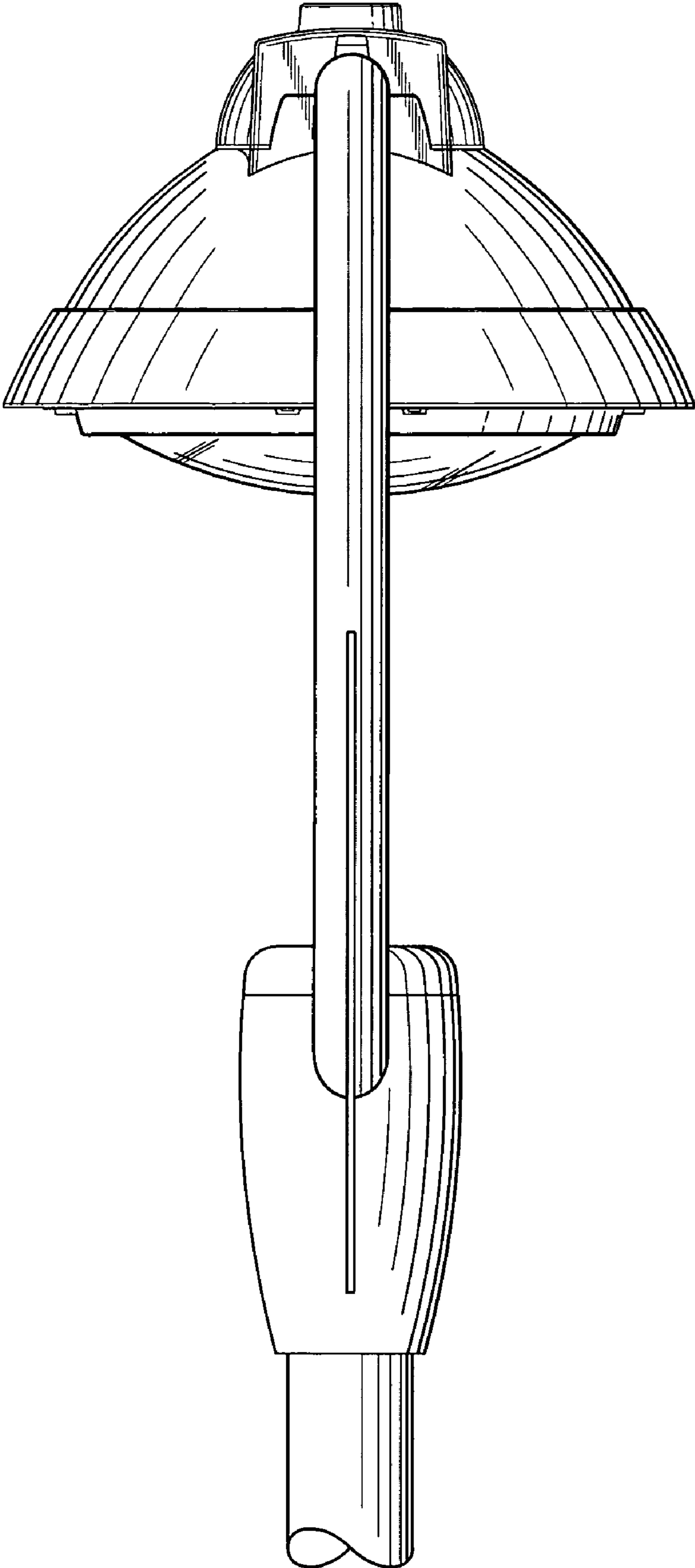


FIG.5

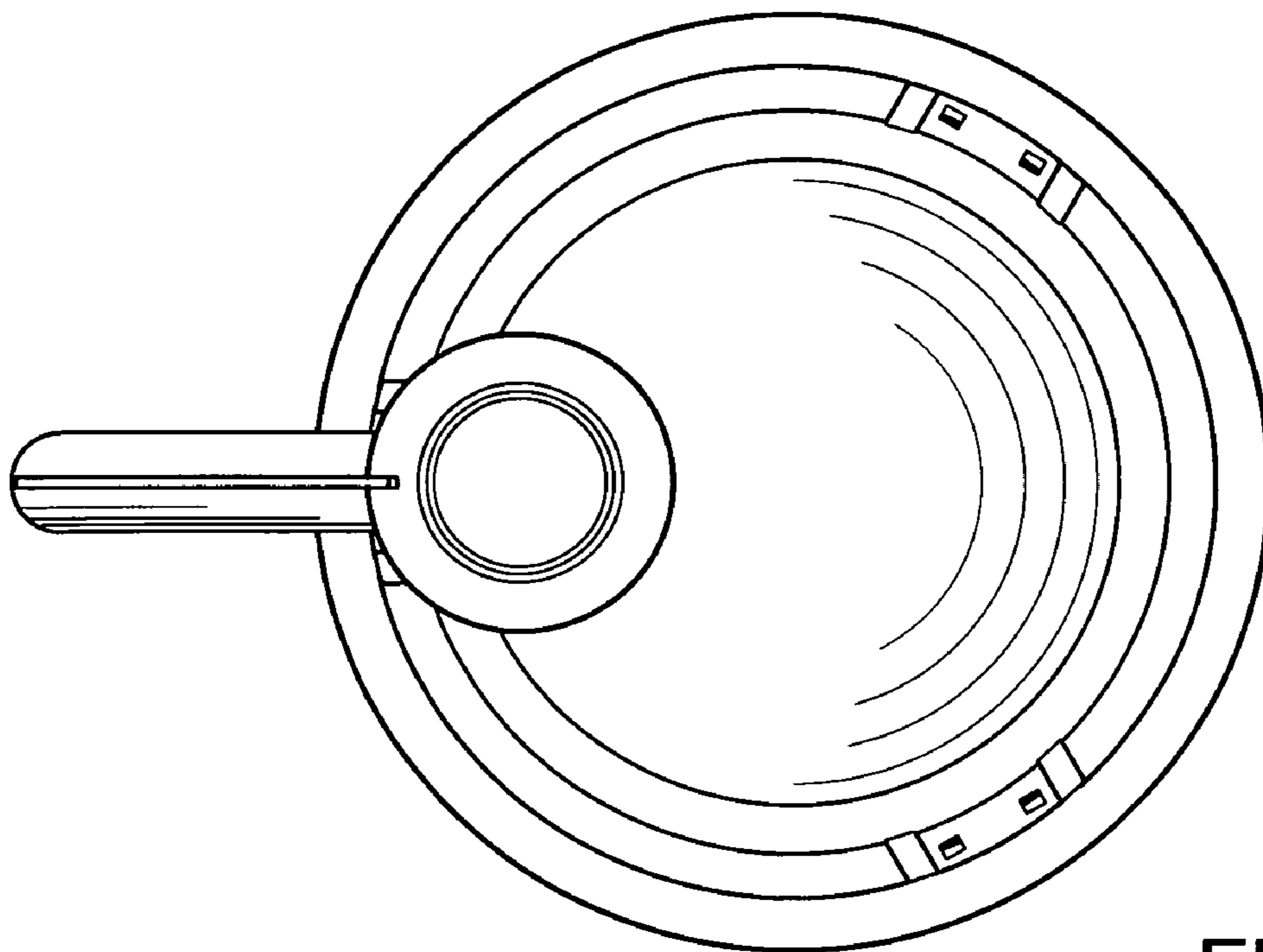


FIG. 6

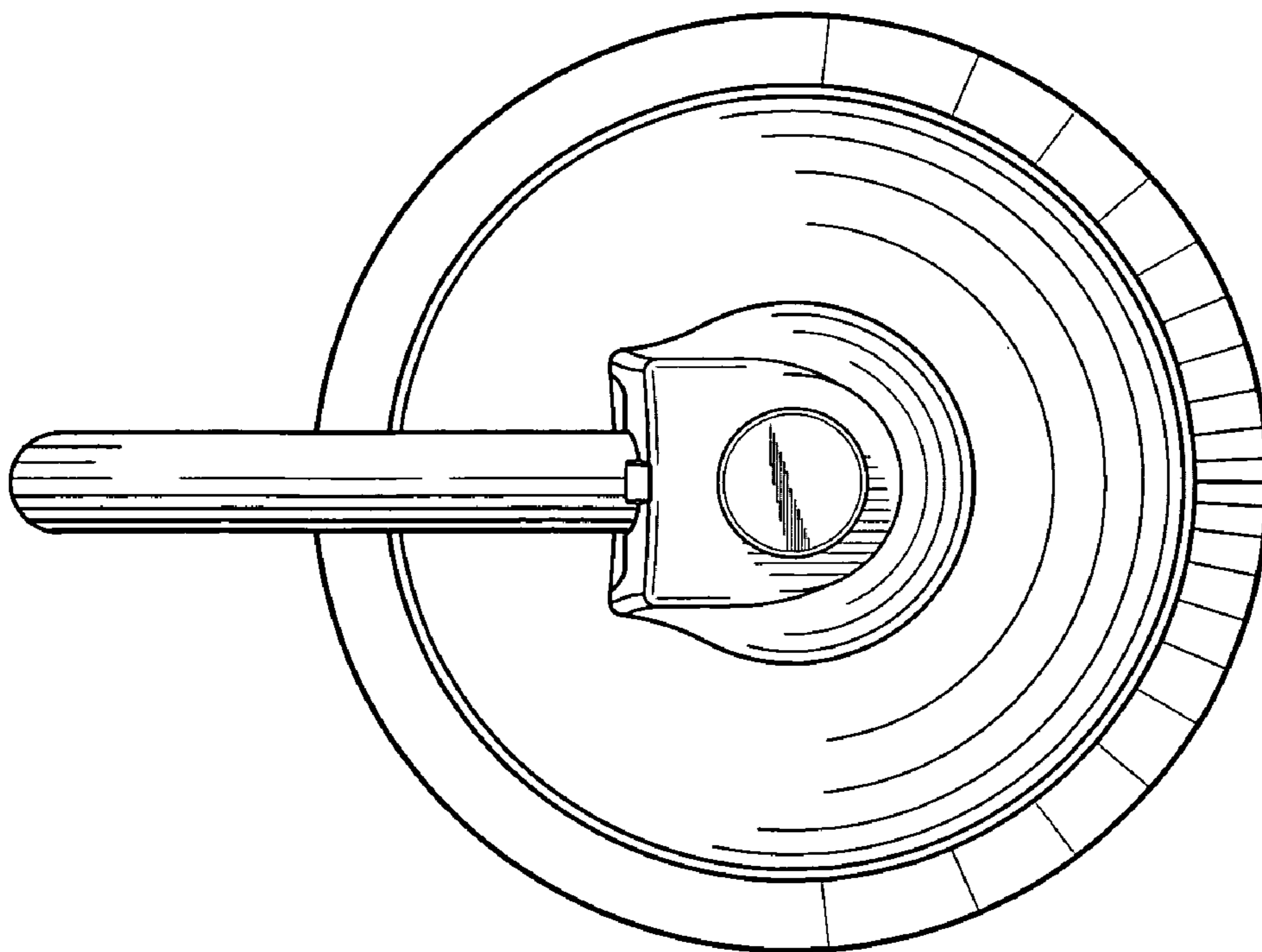


FIG. 7