

US00D616133S

(12) **United States Design Patent**
Chen

(10) **Patent No.:** **US D616,133 S**

(45) **Date of Patent:** **** *May 18, 2010**

(54) **SOLAR POWERED OUTDOOR LIGHT**

(75) Inventor: **Chi Gon Chen**, Guang Zhou (CN)

(73) Assignee: **International Development Corporation, LLC**, Roanoke, TX (US)

(*) Notice: This patent is subject to a terminal disclaimer.

(**) Term: **14 Years**

(21) Appl. No.: **29/336,929**

(22) Filed: **May 12, 2009**

(51) **LOC (9) Cl.** **26-05**

(52) **U.S. Cl.** **D26/67**

(58) **Field of Classification Search** D26/67-71,
D26/85; 362/152, 153, 153.1, 180, 183,
362/431, 653

See application file for complete search history.

(56) **References Cited**

U.S. PATENT DOCUMENTS

D353,013 S	*	11/1994	Szekely et al.	D26/67
D382,662 S	*	8/1997	Shalvi	D26/68
D391,384 S	*	2/1998	Lerch	D26/67
D464,456 S	*	10/2002	Chang	D26/67
D471,662 S	*	3/2003	Sooferian	D26/67
D499,833 S	*	12/2004	Chen	D26/68

D509,613 S	*	9/2005	Sooferian	D26/67
D520,169 S	*	5/2006	Harbaugh	D26/68
D533,293 S	*	12/2006	Chen	D26/67
D556,931 S	*	12/2007	Sooferian	D26/68
D556,932 S	*	12/2007	Sooferian	D26/68
D559,422 S	*	1/2008	Sooferian	D26/68
2009/0175046 A1	*	7/2009	Richard	362/431

* cited by examiner

Primary Examiner—Clare E Heflin

(74) *Attorney, Agent, or Firm*—Honigman Miller Schwartz and Cohn LLP

(57) **CLAIM**

The ornamental design for a solar powered outdoor light, as shown and described.

DESCRIPTION

FIG. 1 is an isometric view of a solar powered outdoor light showing the new design;

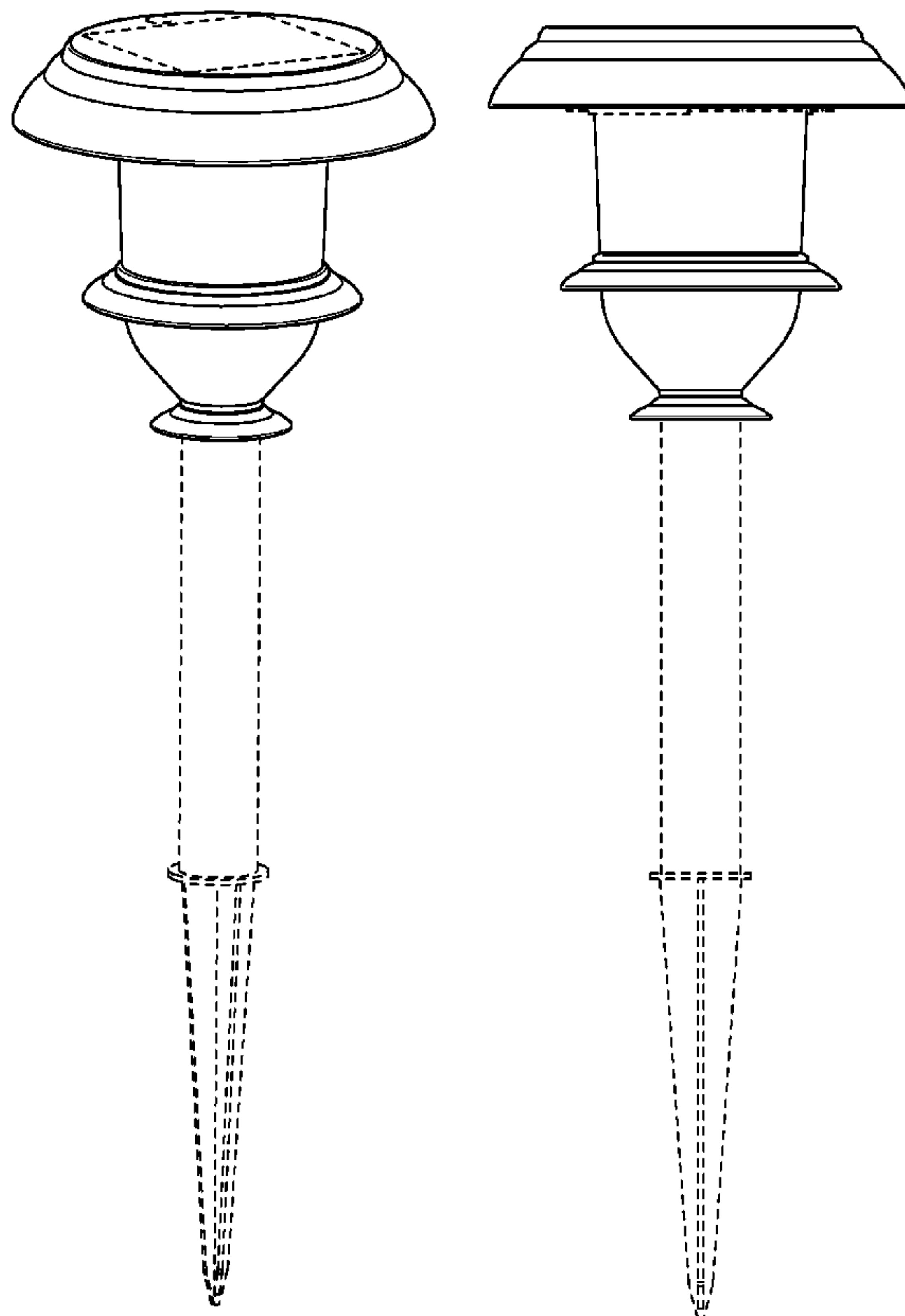
FIG. 2 is a side elevational view thereof; the left, right, front and back side elevation views being the same;

FIG. 3 is a top plan view thereof; and,

FIG. 4 is a bottom plan view thereof.

The broken lines shown on the drawings represent environment only and form no part of the claim.

1 Claim, 3 Drawing Sheets



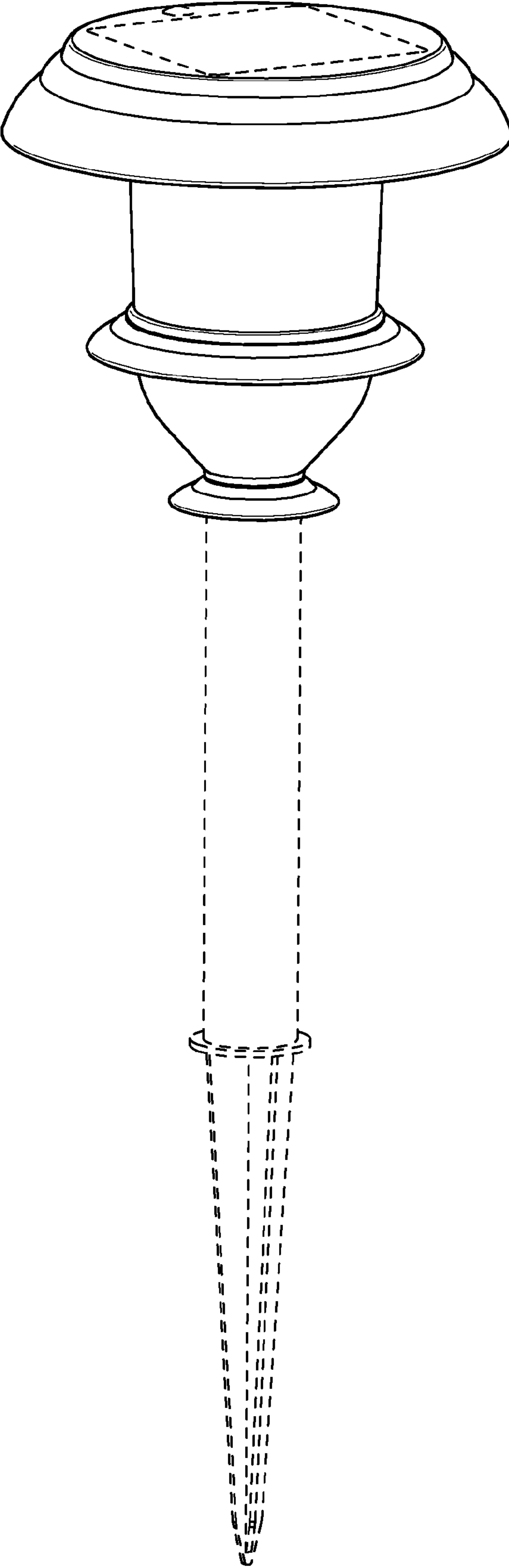


FIG. 1

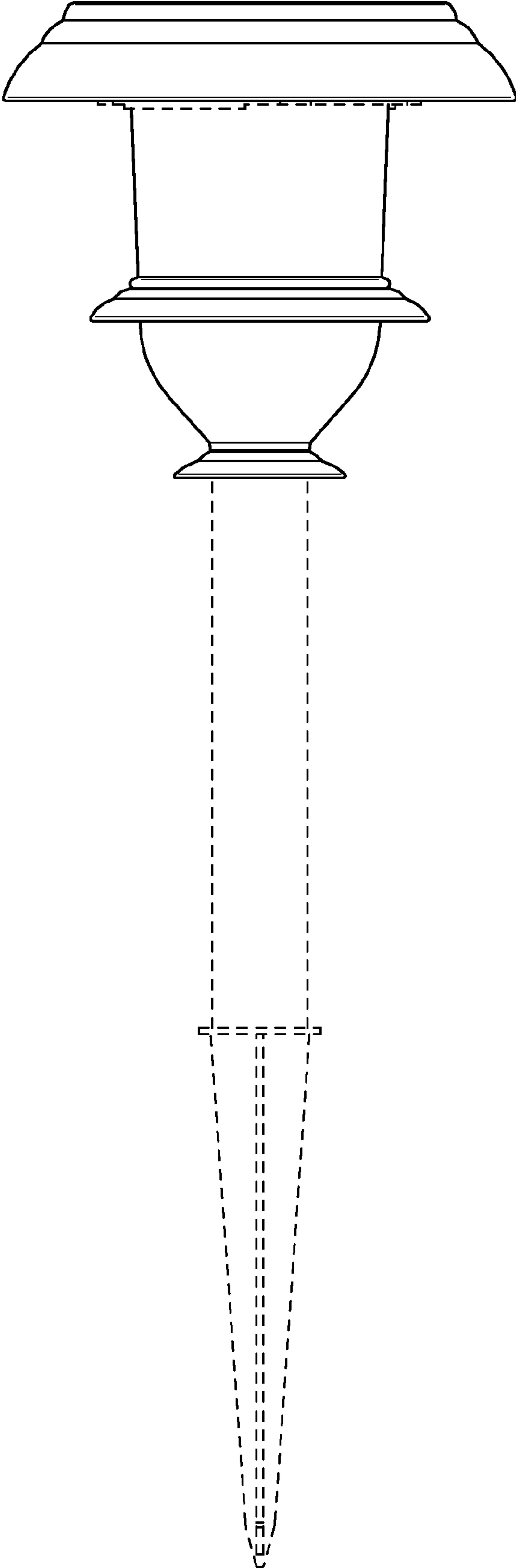


FIG. 2

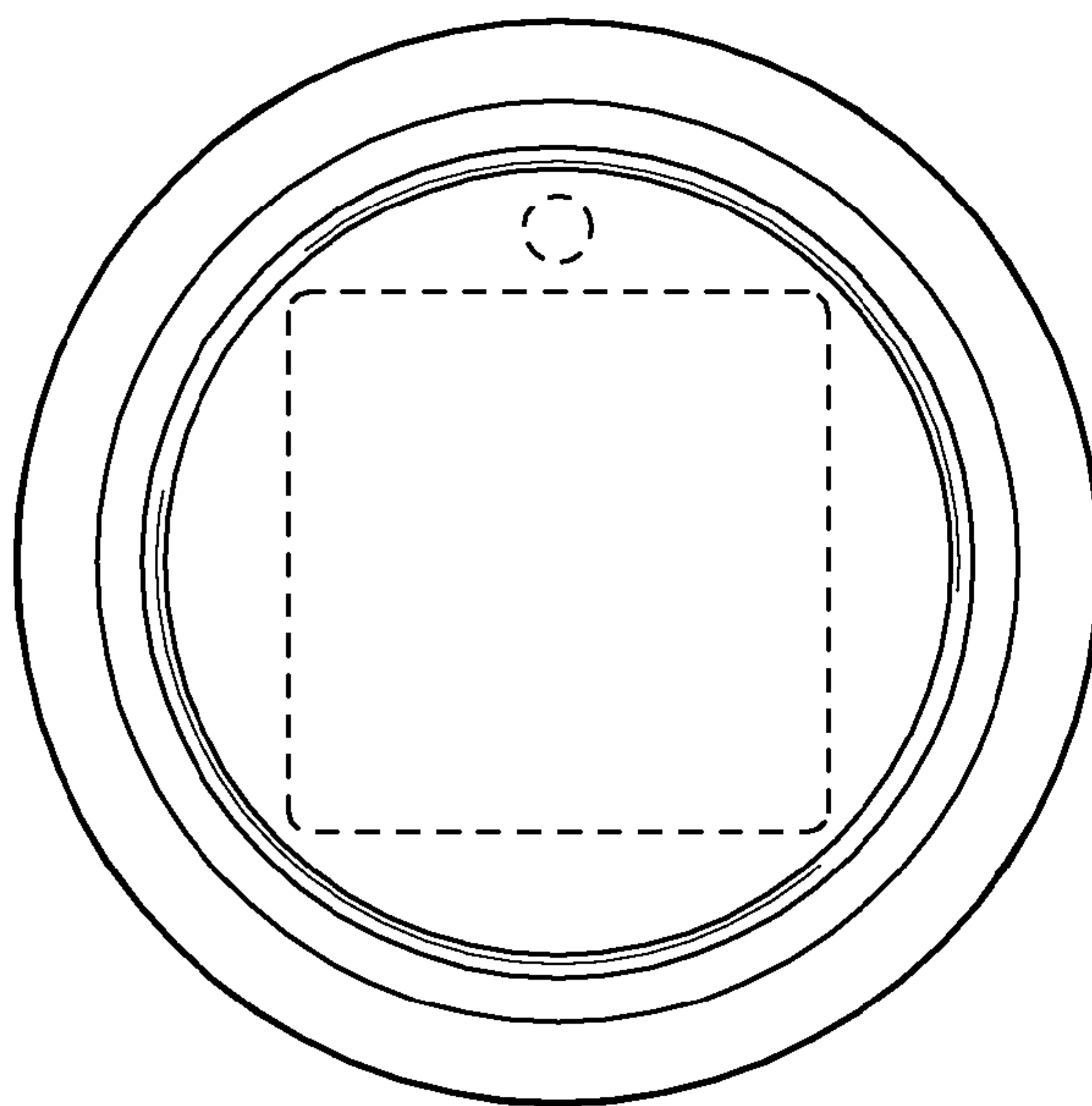


FIG. 3

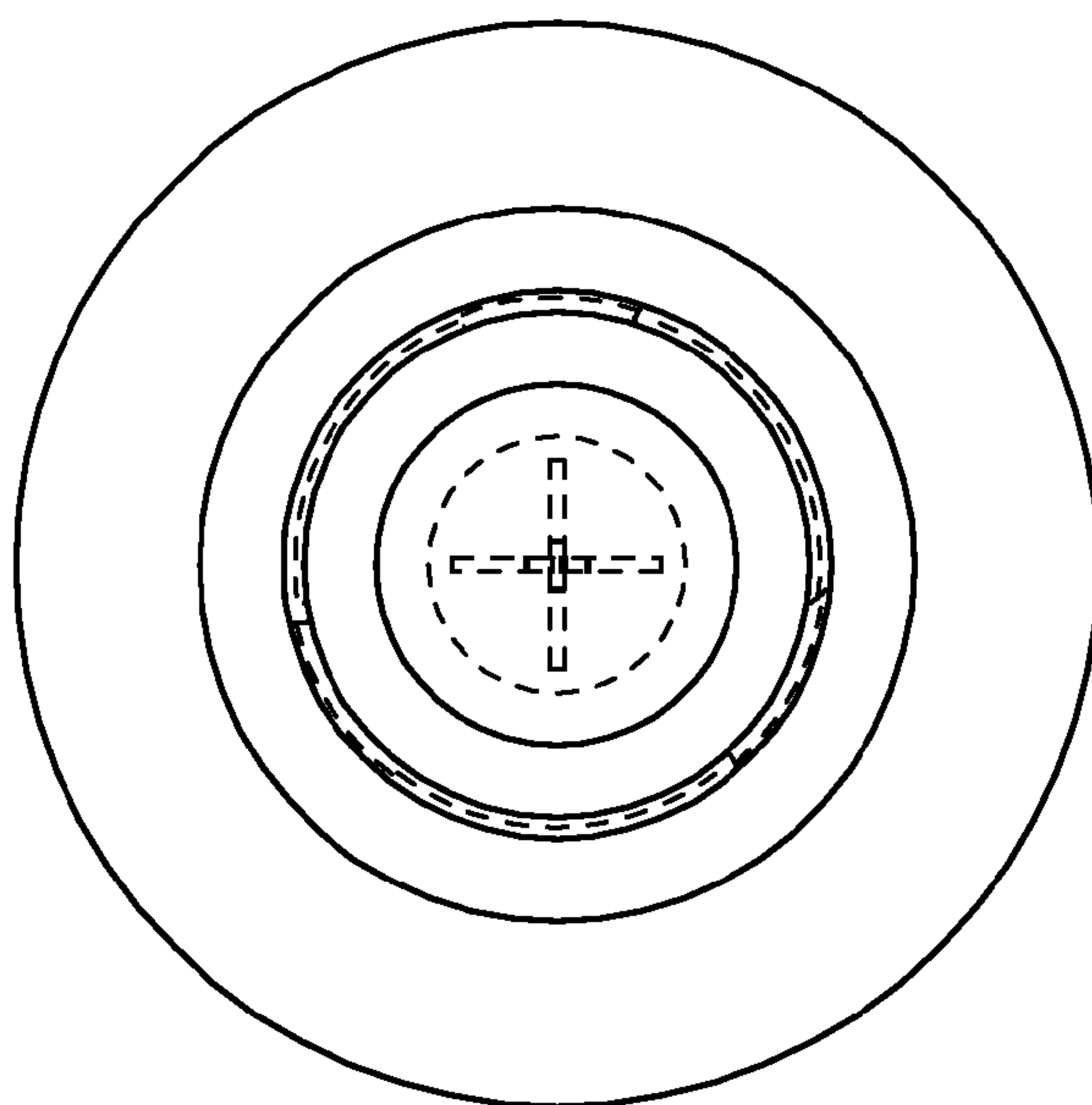


FIG. 4