



US00D616132S

(12) **United States Design Patent**
Chen

(10) **Patent No.:** **US D616,132 S**

(45) **Date of Patent:** **** *May 18, 2010**

(54) **SOLAR POWERED OUTDOOR LIGHT**

(75) Inventor: **Chi Gon Chen**, Guang Zhou (CN)

(73) Assignee: **International Development Corporation, LLC**, Roanoke, TX (US)

(*) Notice: This patent is subject to a terminal disclaimer.

(**) Term: **14 Years**

(21) Appl. No.: **29/336,922**

(22) Filed: **May 12, 2009**

(51) **LOC (9) Cl.** **26-05**

(52) **U.S. Cl.** **D26/67**

(58) **Field of Classification Search** D26/67-71,
D26/85; 362/152, 153, 153.1, 180, 183,
362/431, 653

See application file for complete search history.

(56) **References Cited**

U.S. PATENT DOCUMENTS

D192,125 S *	1/1962	Lasker	D26/67
D208,325 S *	8/1967	Bobrick	D26/67
D469,908 S *	2/2003	Chen	D26/67
D482,814 S *	11/2003	Pu	D26/67
D497,021 S *	10/2004	Pu	D26/67
D499,831 S *	12/2004	Chen	D26/68

D532,141 S *	11/2006	Chen	D26/67
D535,425 S *	1/2007	Chen	D26/67
D536,818 S *	2/2007	Sooferian	D26/68
D539,957 S *	4/2007	Luo	D26/67

OTHER PUBLICATIONS

Solar 8 Pack Tapered Lights / Manufacturer's Model #RS2P-HDBZ-8. From homedepot.com Jul. 13, 2009.*

* cited by examiner

Primary Examiner—Clare E Heflin

(74) *Attorney, Agent, or Firm*—Honigman Miller Schwartz and Cohn LLP

(57) **CLAIM**

The ornamental design for a solar powered outdoor light, as shown and described.

DESCRIPTION

FIG. 1 is an isometric view of a solar powered outdoor light showing the new design;

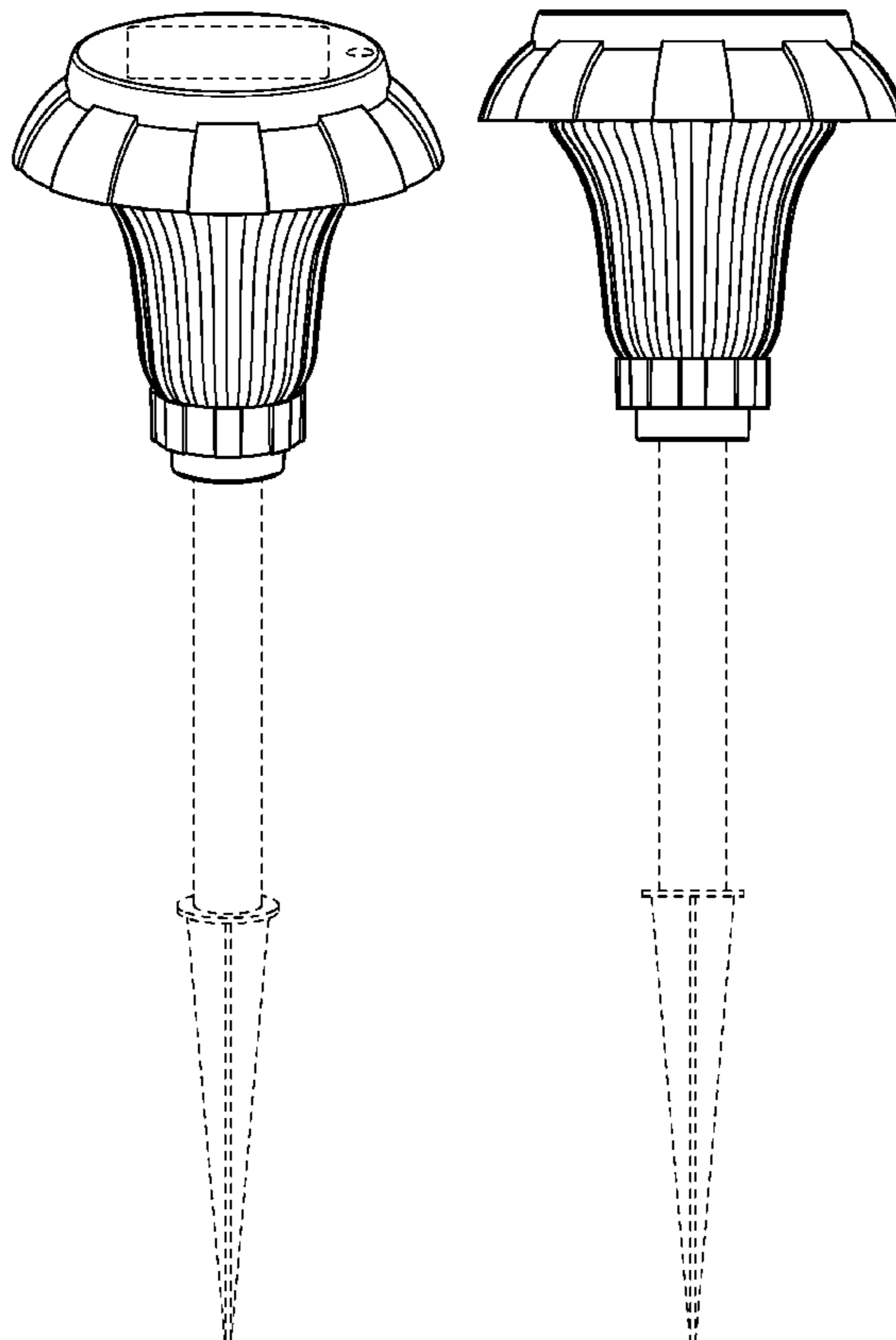
FIG. 2 is a side elevational view thereof; the left, right, front and back side elevation views being the same;

FIG. 3 is a top plan view thereof; and,

FIG. 4 is a bottom plan view thereof.

The broken lines shown on the drawings represent environment only and form no part of the claim.

1 Claim, 3 Drawing Sheets



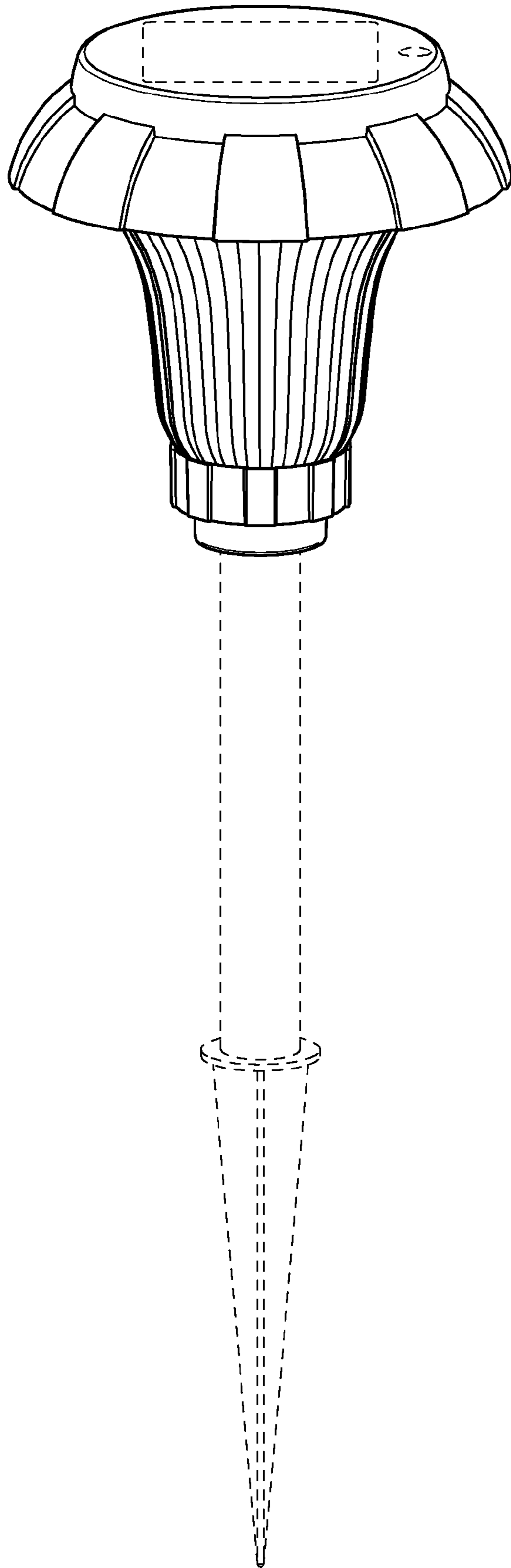


FIG. 1

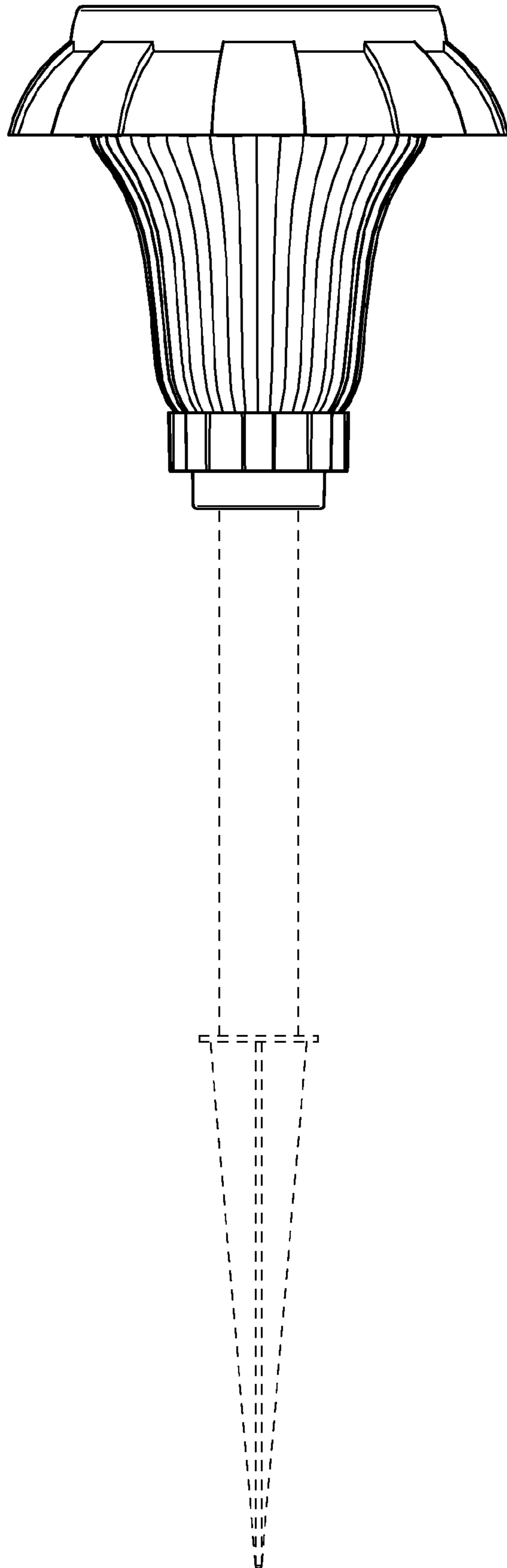


FIG. 2

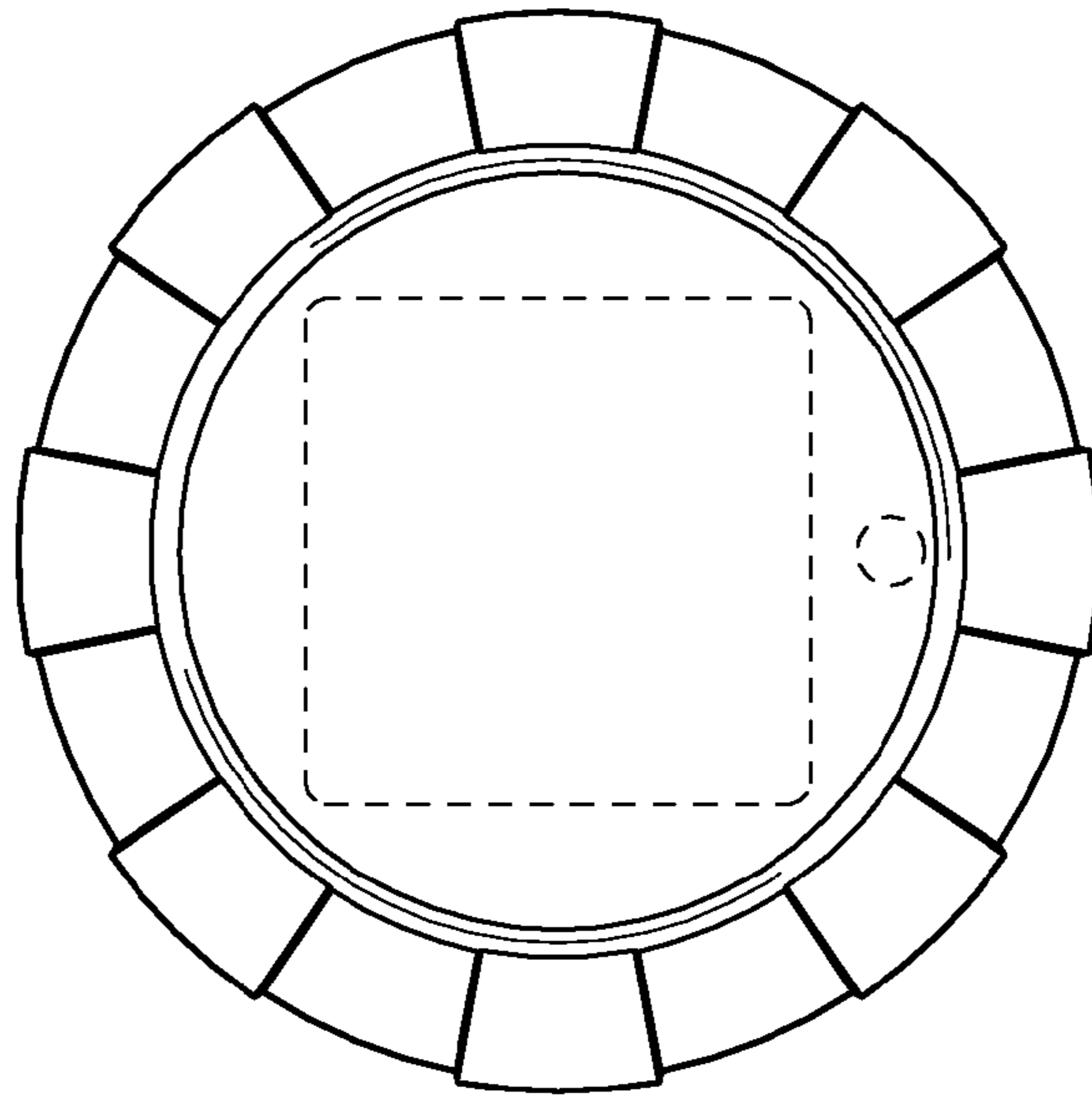


FIG. 3

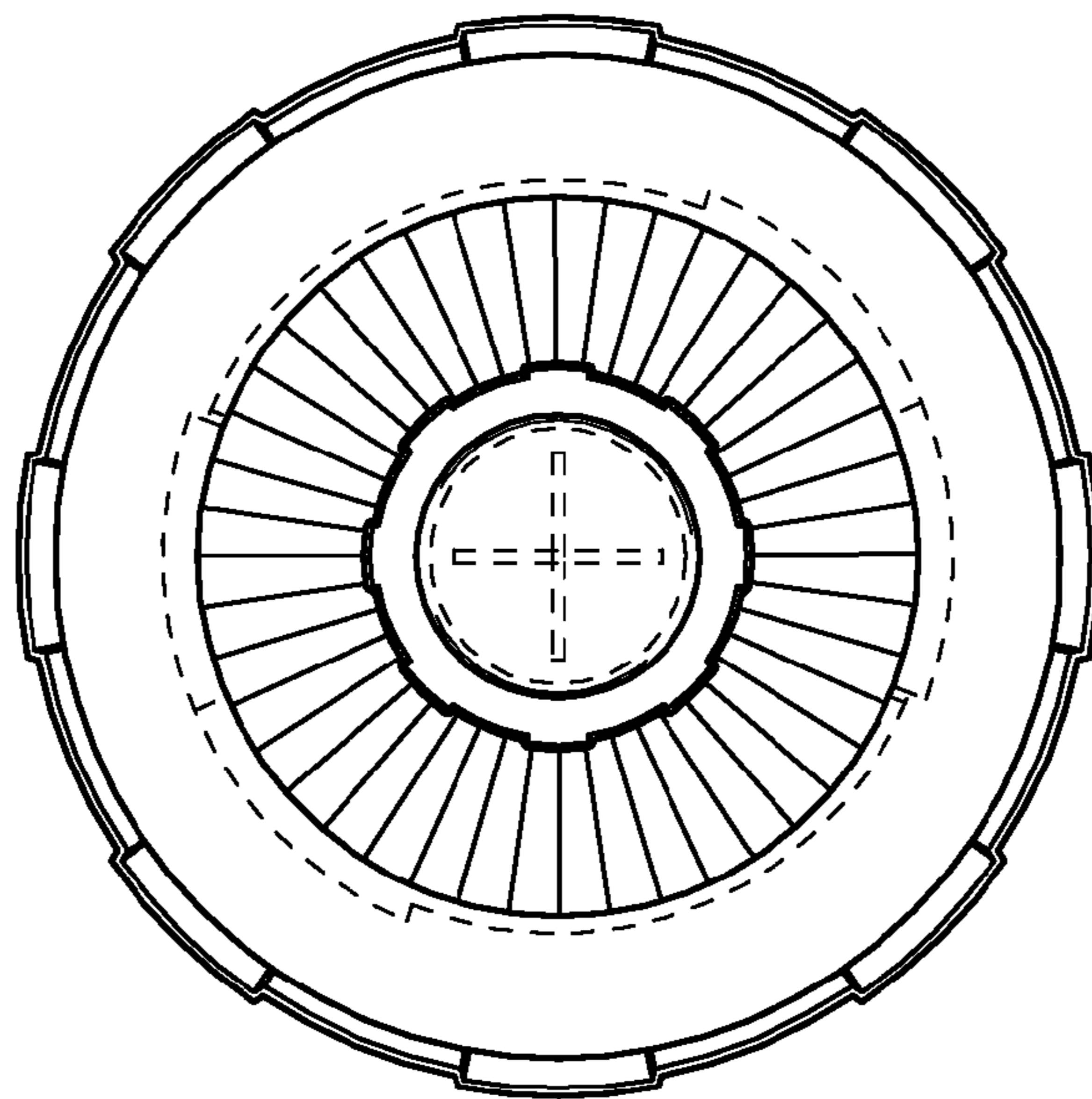


FIG. 4