



US00D616129S

(12) **United States Design Patent**
Sanoner

(10) **Patent No.:** **US D616,129 S**

(45) **Date of Patent:** **** May 18, 2010**

(54) **SOLAR LIGHT**

(75) Inventor: **Hughes Marie Sanoner**, Discovery Bay (HK)

(73) Assignee: **Solar Wide Industrial Limited**, Tsuen Wan, New Territories, Hong Kong (HK)

(**) Term: **14 Years**

(21) Appl. No.: **29/314,061**

(22) Filed: **Mar. 2, 2009**

(30) **Foreign Application Priority Data**

Sep. 1, 2008 (EM) 000994751

(51) **LOC (9) Cl.** **26-05**

(52) **U.S. Cl.** **D26/67**

(58) **Field of Classification Search** D26/67-71,
D26/85, 93; 362/152, 153, 153.1, 180, 183,
362/431, 653

See application file for complete search history.

(56) **References Cited**

U.S. PATENT DOCUMENTS

D306,767 S * 3/1990 Ziaylek, Jr. D26/36
5,065,291 A * 11/1991 Frost et al. 362/183
D392,407 S * 3/1998 Johnson et al. D26/67
5,911,496 A * 6/1999 Hojnacki 362/131

D457,677 S * 5/2002 Landefeld et al. D26/67
D459,515 S * 6/2002 Gaskins et al. D26/67
D492,055 S * 6/2004 Hon et al. D26/67
D574,104 S * 7/2008 Sanoner D26/67
7,476,006 B2 * 1/2009 Hinds 362/286
2003/0137831 A1 * 7/2003 Lin 362/183
2003/0156405 A1 * 8/2003 Kim 362/153.1
2006/0187656 A1 * 8/2006 Kuelbs et al. 362/183
2007/0121317 A1 * 5/2007 Huang et al. 362/183

* cited by examiner

Primary Examiner—Clare E Heflin

(74) *Attorney, Agent, or Firm*—Alix, Yale & Ristas, LLP

(57) **CLAIM**

The ornamental design for a solar light, as shown and described.

DESCRIPTION

FIG. 1 is a top perspective view of a solar light showing my new design;

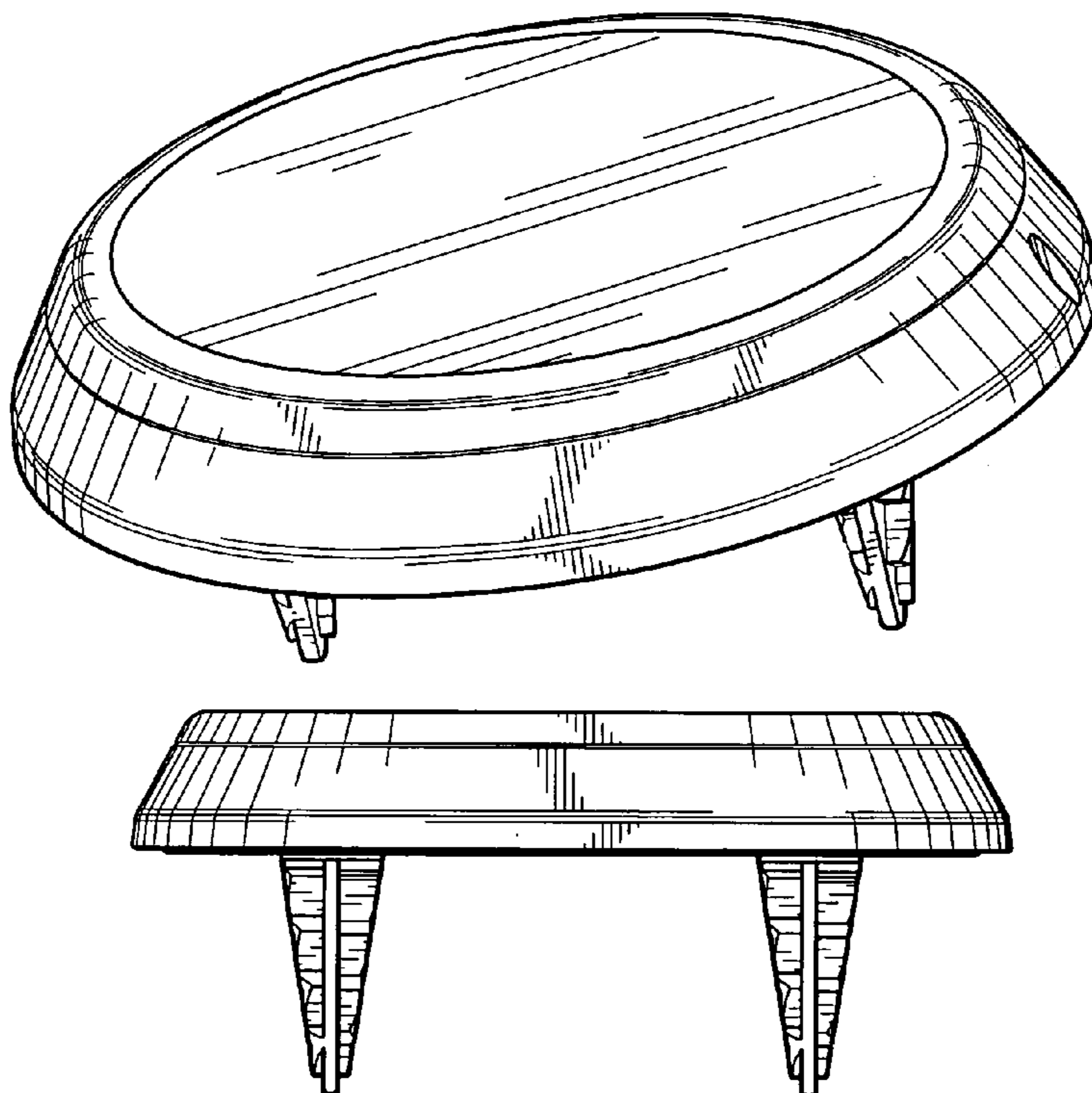
FIG. 2 is a top plan view thereof;

FIG. 3 is a bottom plan view thereof;

FIG. 4 is a front elevational view thereof; the rear elevational view being a mirror image thereof; and,

FIG. 5 is a right side elevational view thereof; the left side elevational view being a mirror image.

1 Claim, 3 Drawing Sheets



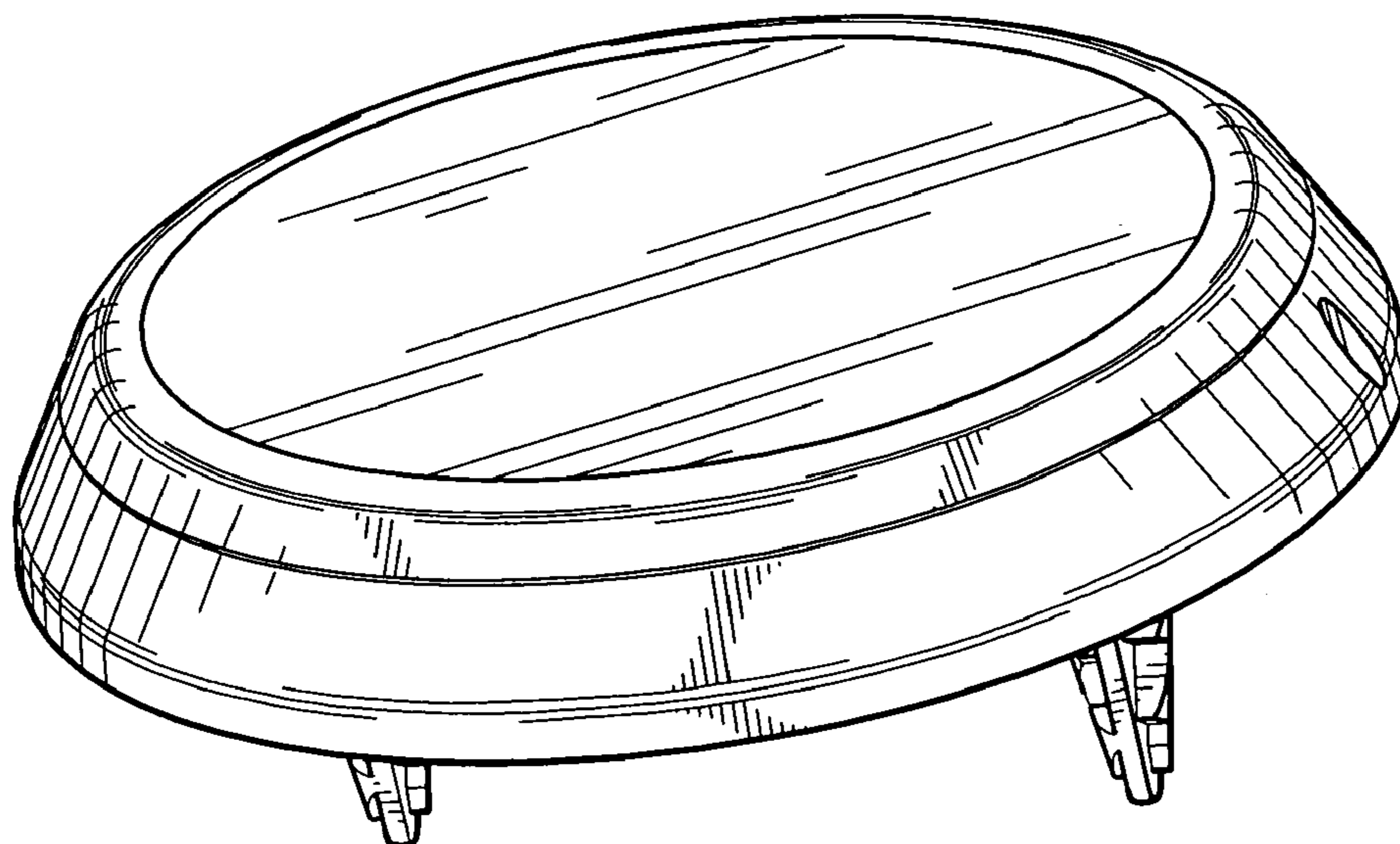


FIG.1

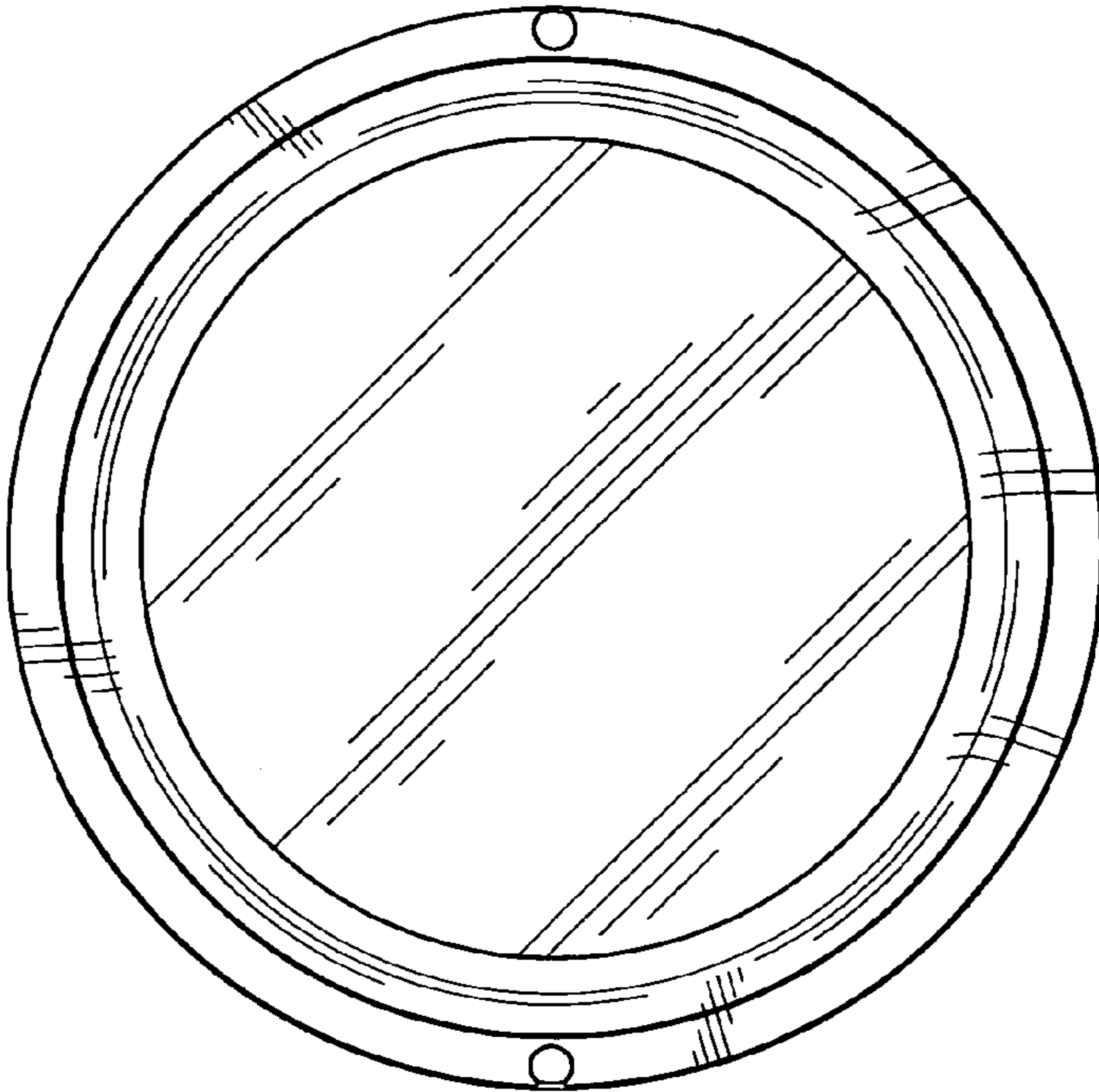


FIG.2

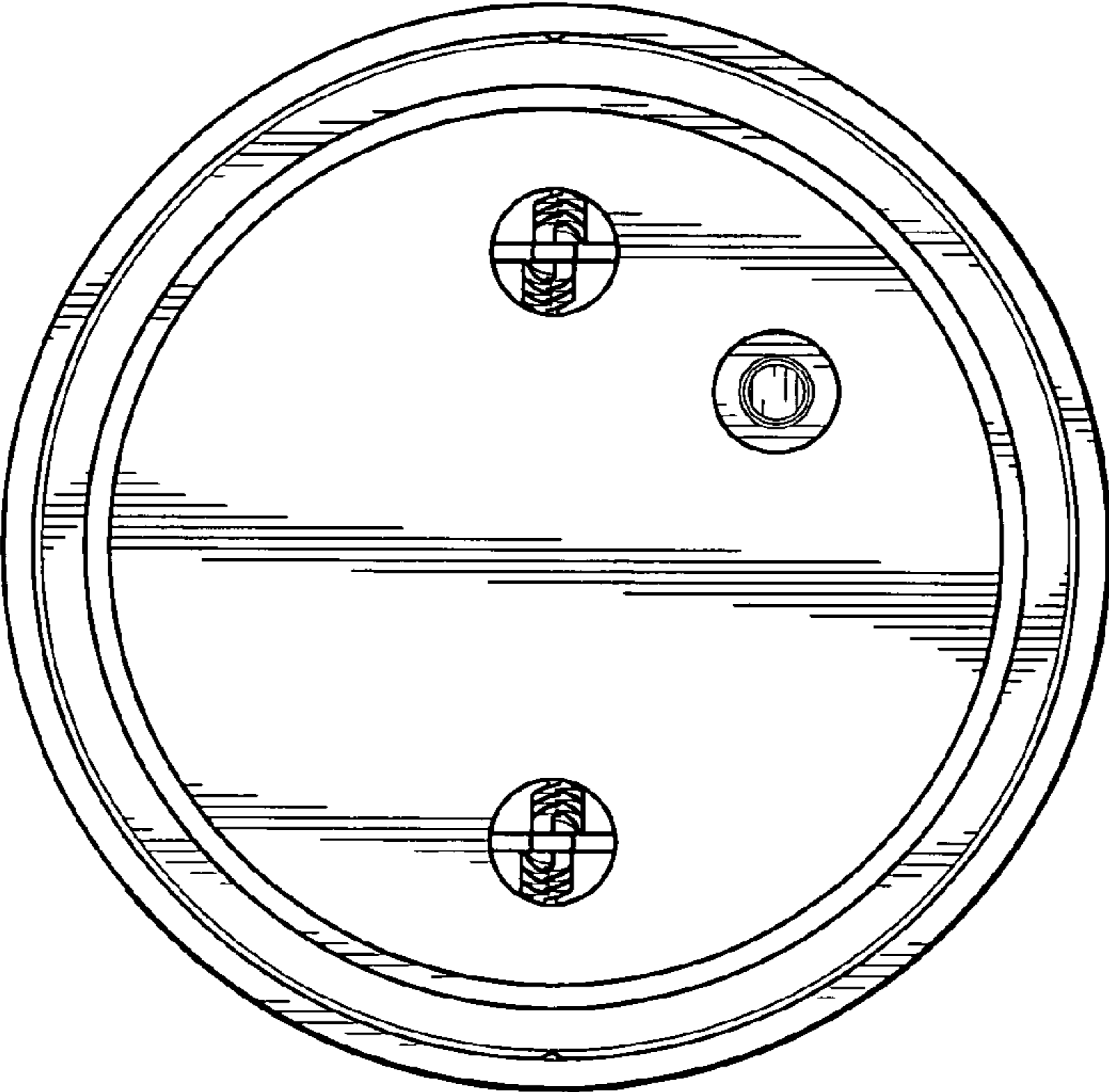


FIG.3

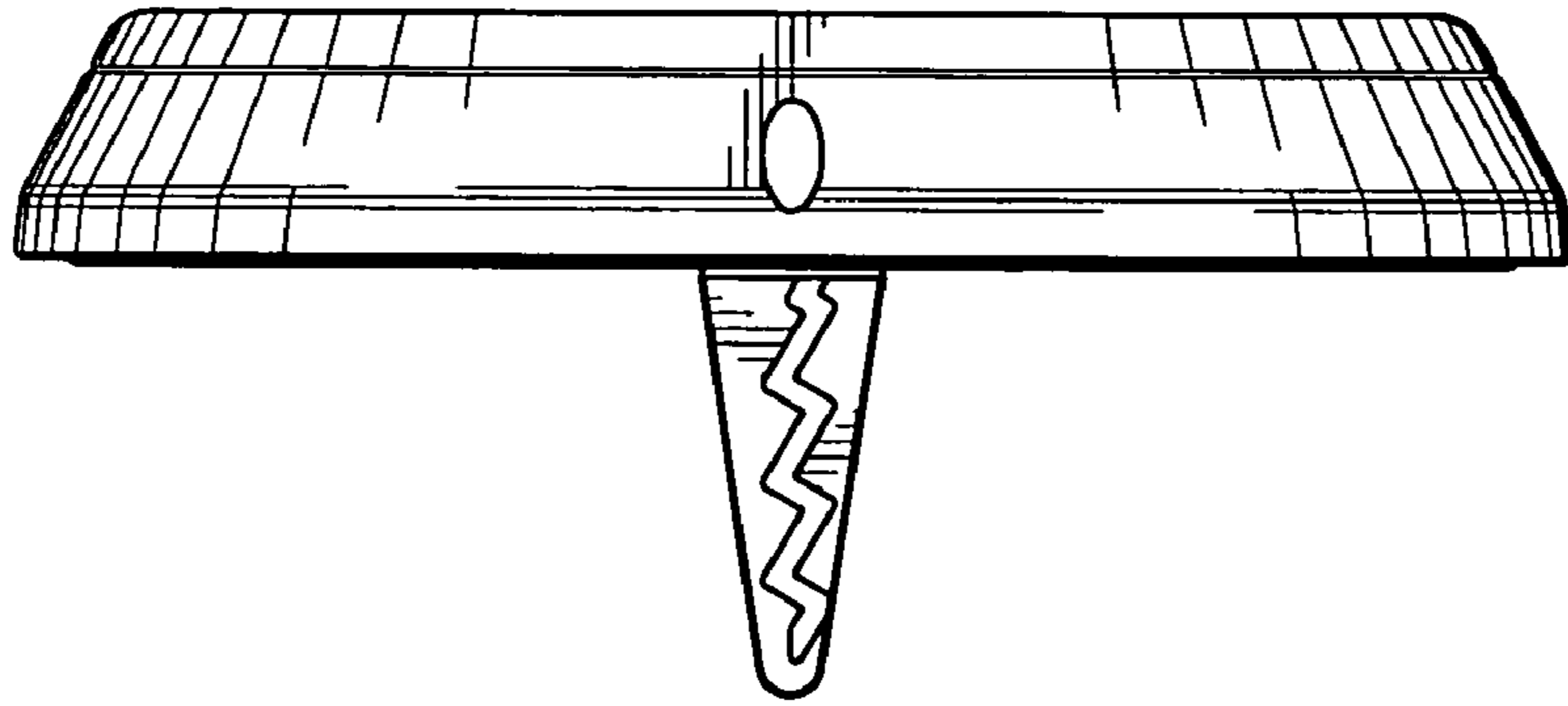


FIG. 4

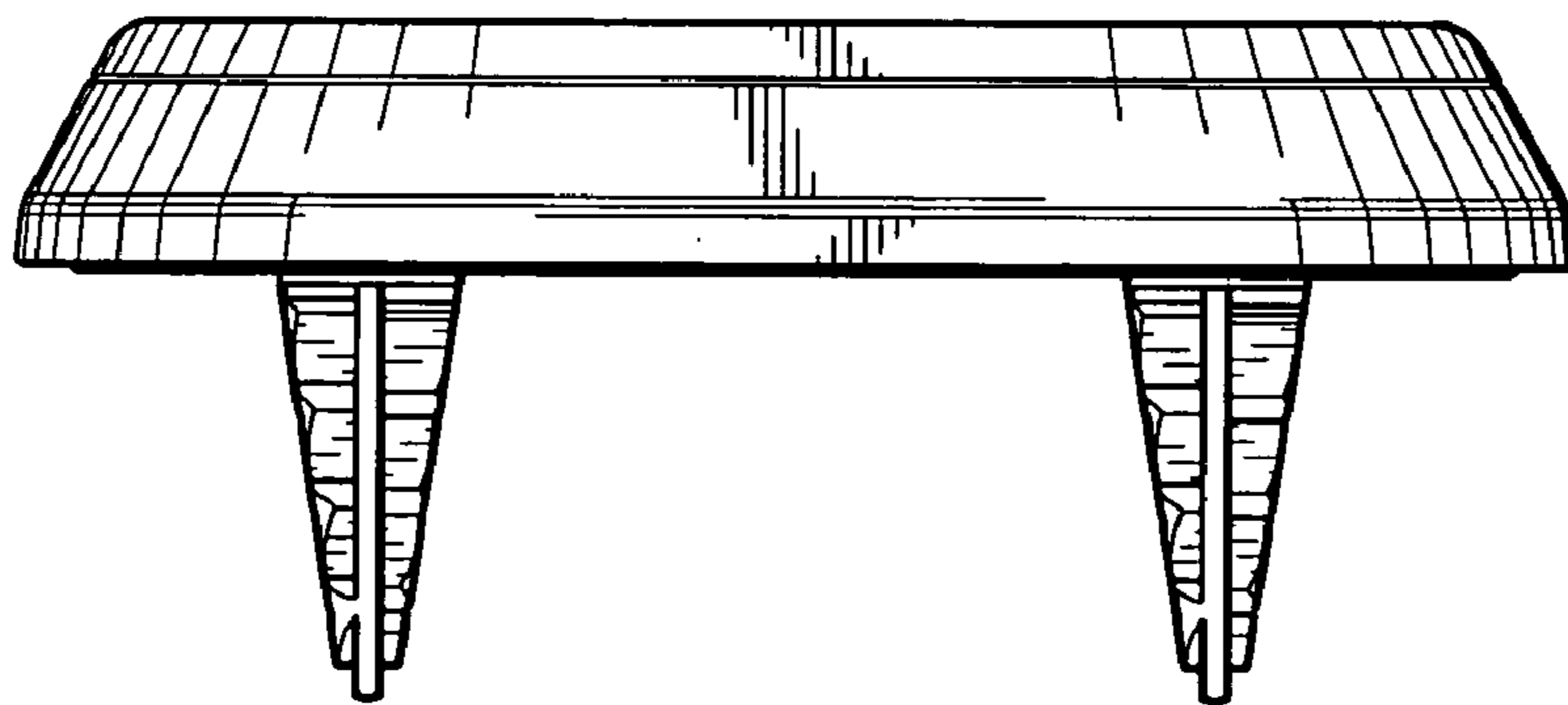


FIG. 5