



US00D616125S

(12) **United States Design Patent**
Kang et al.

(10) **Patent No.:** **US D616,125 S**

(45) **Date of Patent:** **** May 18, 2010**

(54) **LIGHTING DEVICE**

(75) Inventors: **Donwoong Kang**, Camillus, NY (US);
Mark A Ferguson, Memphis, NY (US)

(73) Assignee: **Eveready Battery Company, Inc.**, St.
Louis, MO (US)

(**) Term: **14 Years**

(21) Appl. No.: **29/351,574**

(22) Filed: **Dec. 8, 2009**

(51) **LOC (9) Cl.** **26-02**

(52) **U.S. Cl.** **D26/37**

(58) **Field of Classification Search** D26/37,
D26/38, 39, 42, 46, 49, 50; 362/157, 158,
362/183, 184, 187-196, 200-208
See application file for complete search history.

(56) **References Cited**

U.S. PATENT DOCUMENTS

D376,218 S *	12/1996	Urquhart	D26/46
D431,355 S *	10/2000	Boyd, Jr.	D3/209
D443,370 S *	6/2001	Yu	D26/37
D501,266 S *	1/2005	Harris et al.	D26/37
D552,276 S *	10/2007	Shaljian	D26/37
D553,275 S *	10/2007	Campbell et al.	D26/37
D574,527 S *	8/2008	Squires et al.	D26/37

D603,240 S *	11/2009	Kunzendorf	D8/105
D607,132 S *	12/2009	Ma	D26/60
2007/0139917 A1 *	6/2007	Ford et al.	362/208

* cited by examiner

Primary Examiner—Ian Simmons

Assistant Examiner—Carissa C Fitts

(74) *Attorney, Agent, or Firm*—Gregory J. Adams

(57) **CLAIM**

We claim the ornamental design for a lighting device, as shown and described.

DESCRIPTION

FIG. 1 is a front perspective view of the lighting device.

FIG. 2 is a rear perspective view of the lighting device.

FIG. 3 is a top view of the lighting device.

FIG. 4 is a bottom view of the lighting device.

FIG. 5 is a front view of the lighting device.

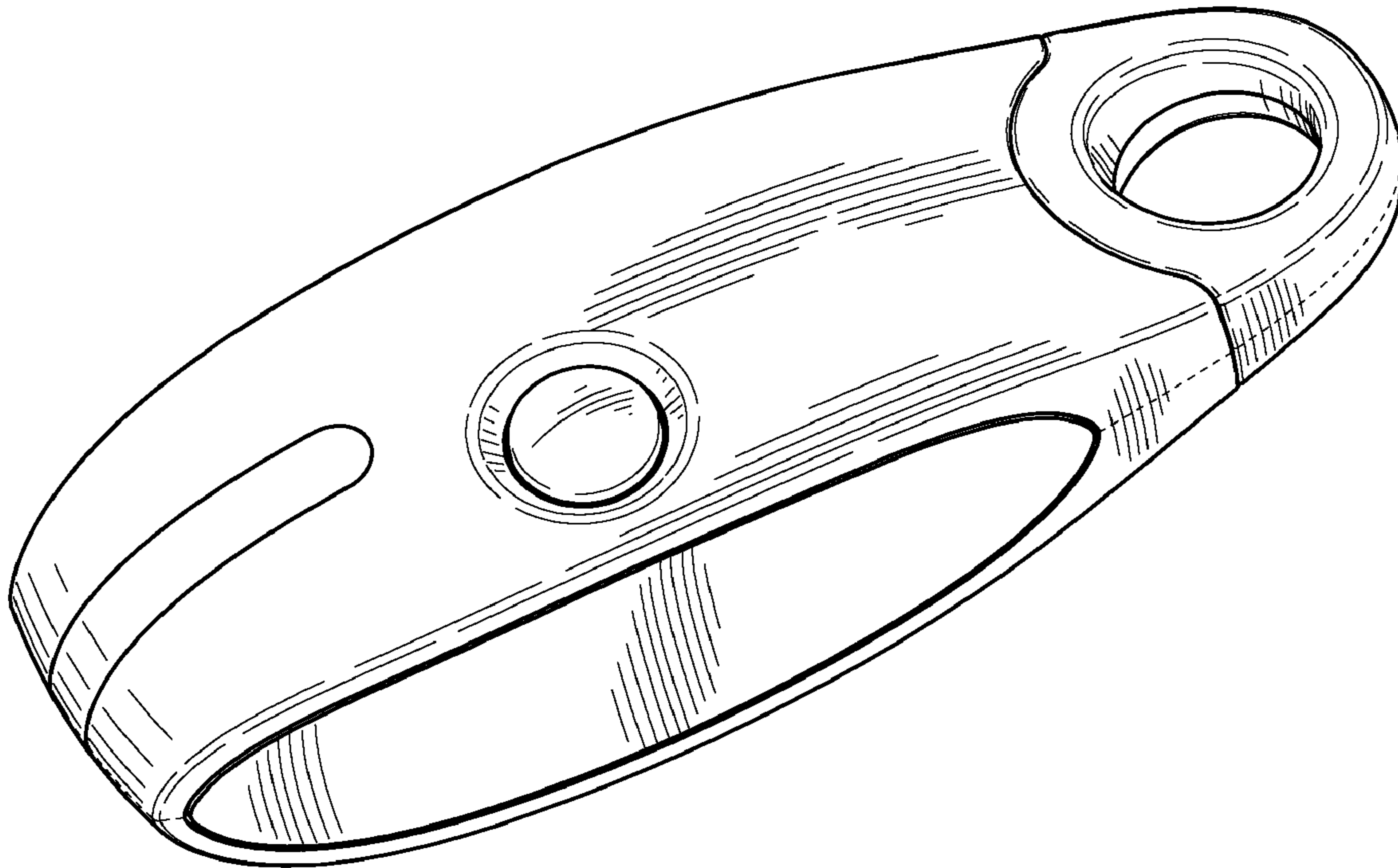
FIG. 6 is a rear view of the lighting device.

FIG. 7 is a right side view of the lighting device; and,

FIG. 8 is a left side view of the lighting device.

Any broken line(s) shown are for illustrative purposes only and form no part of the claimed design.

1 Claim, 3 Drawing Sheets



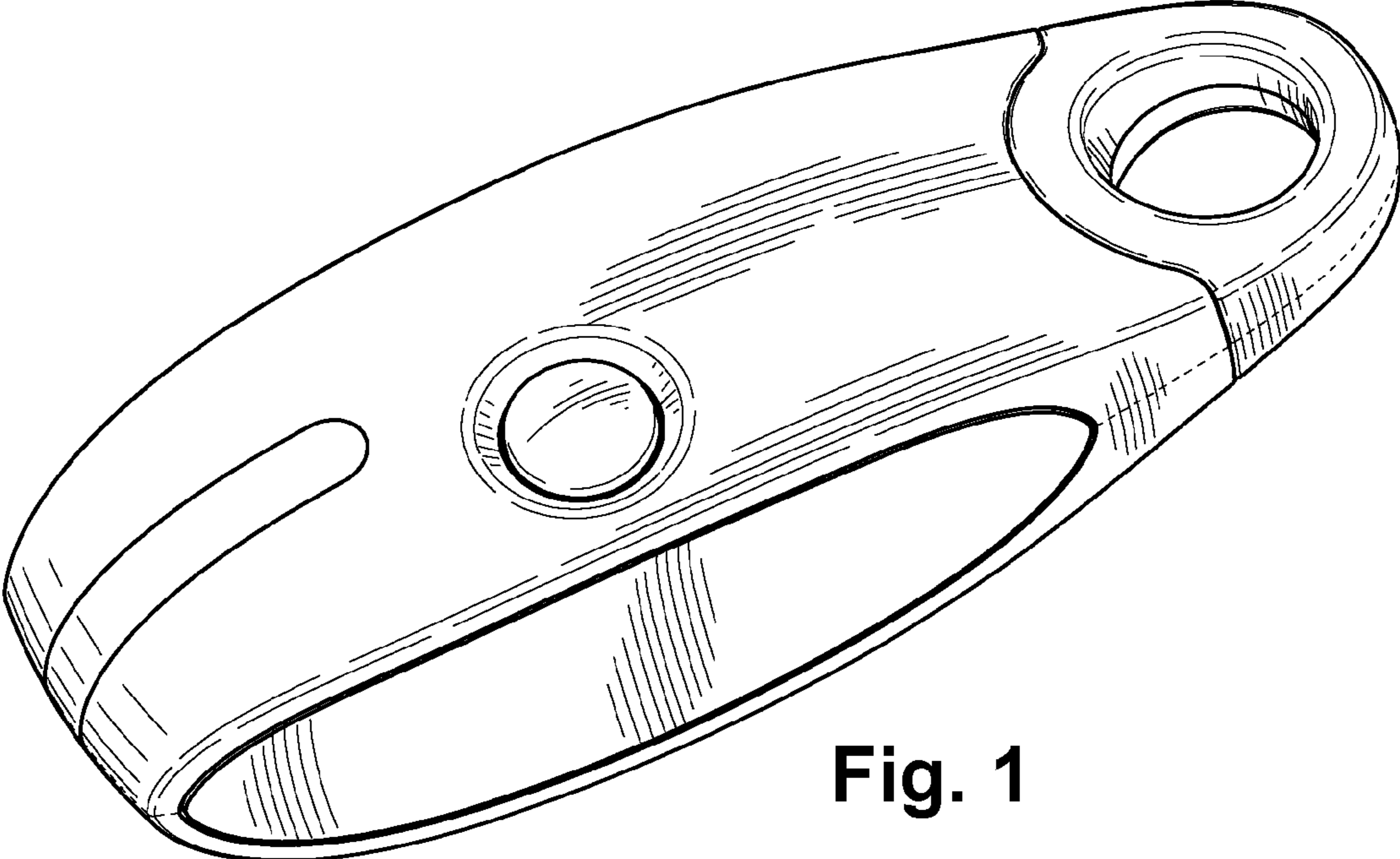


Fig. 1

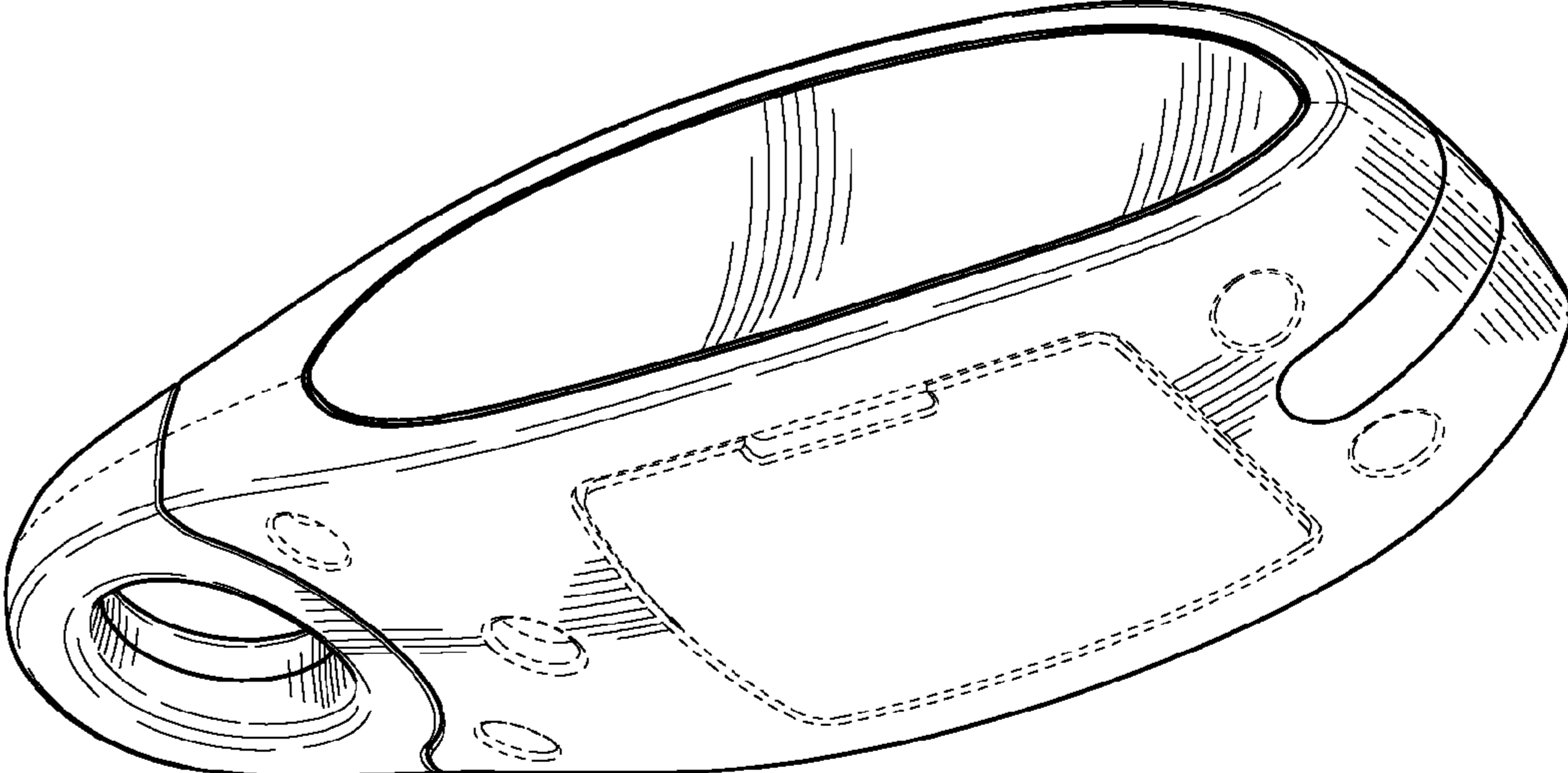


Fig. 2

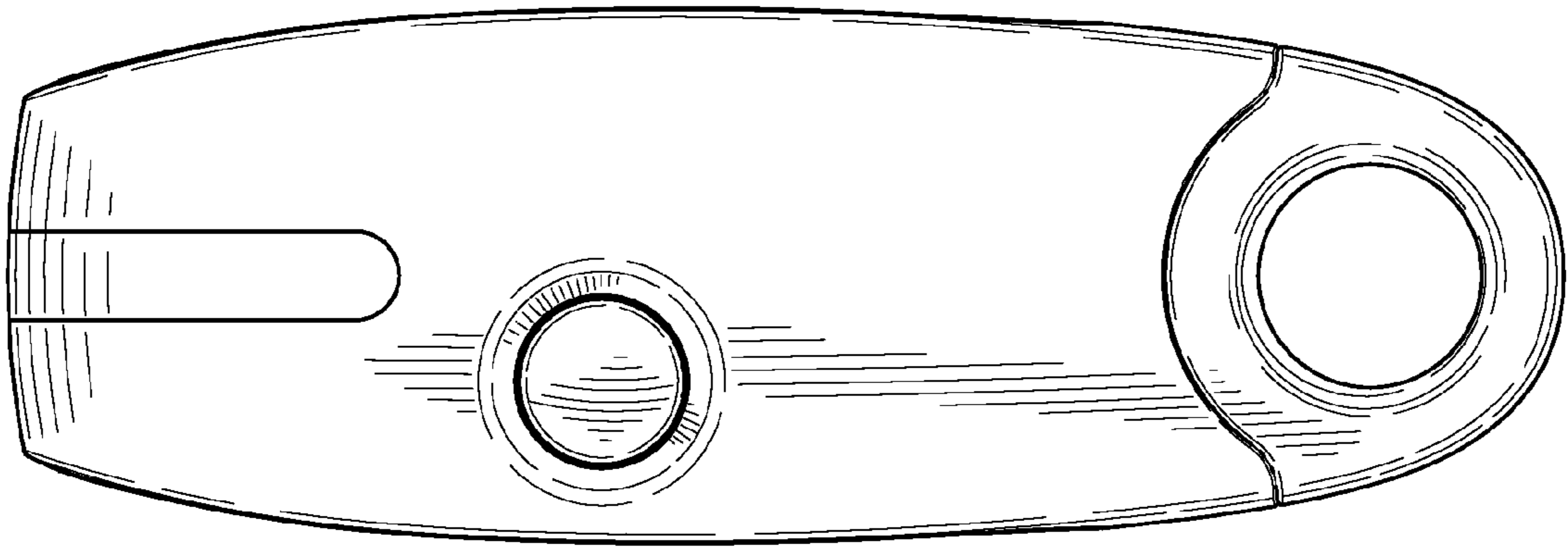


Fig. 3

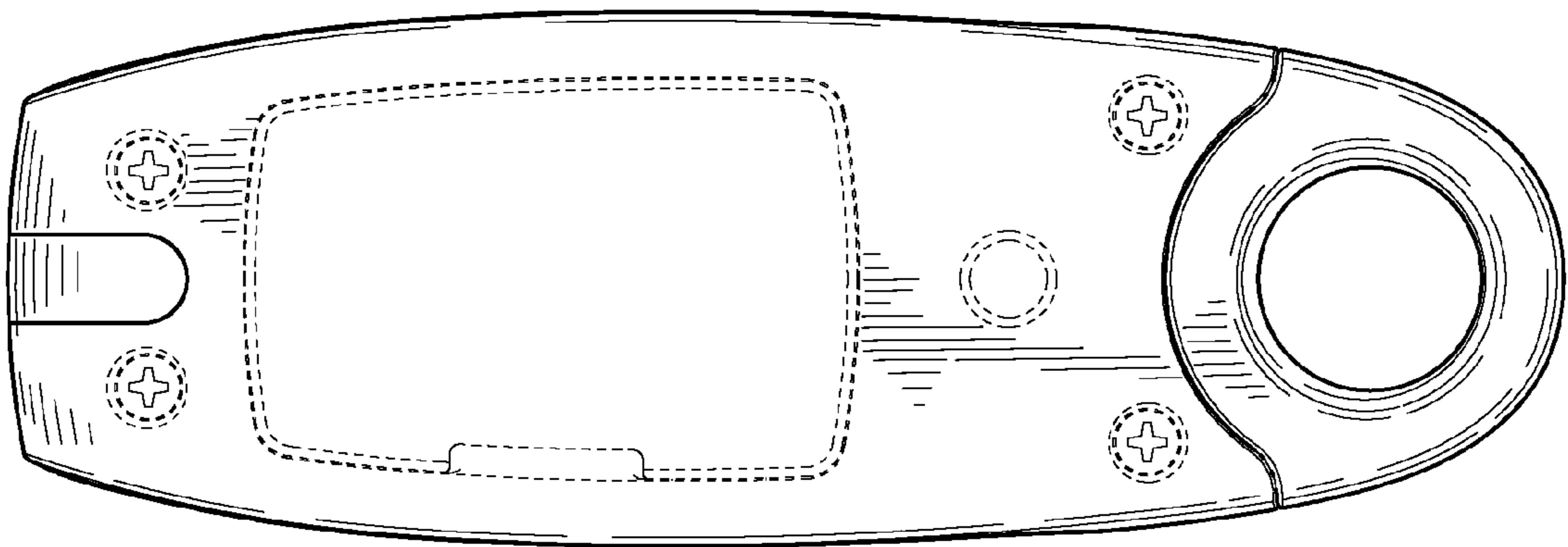


Fig. 4

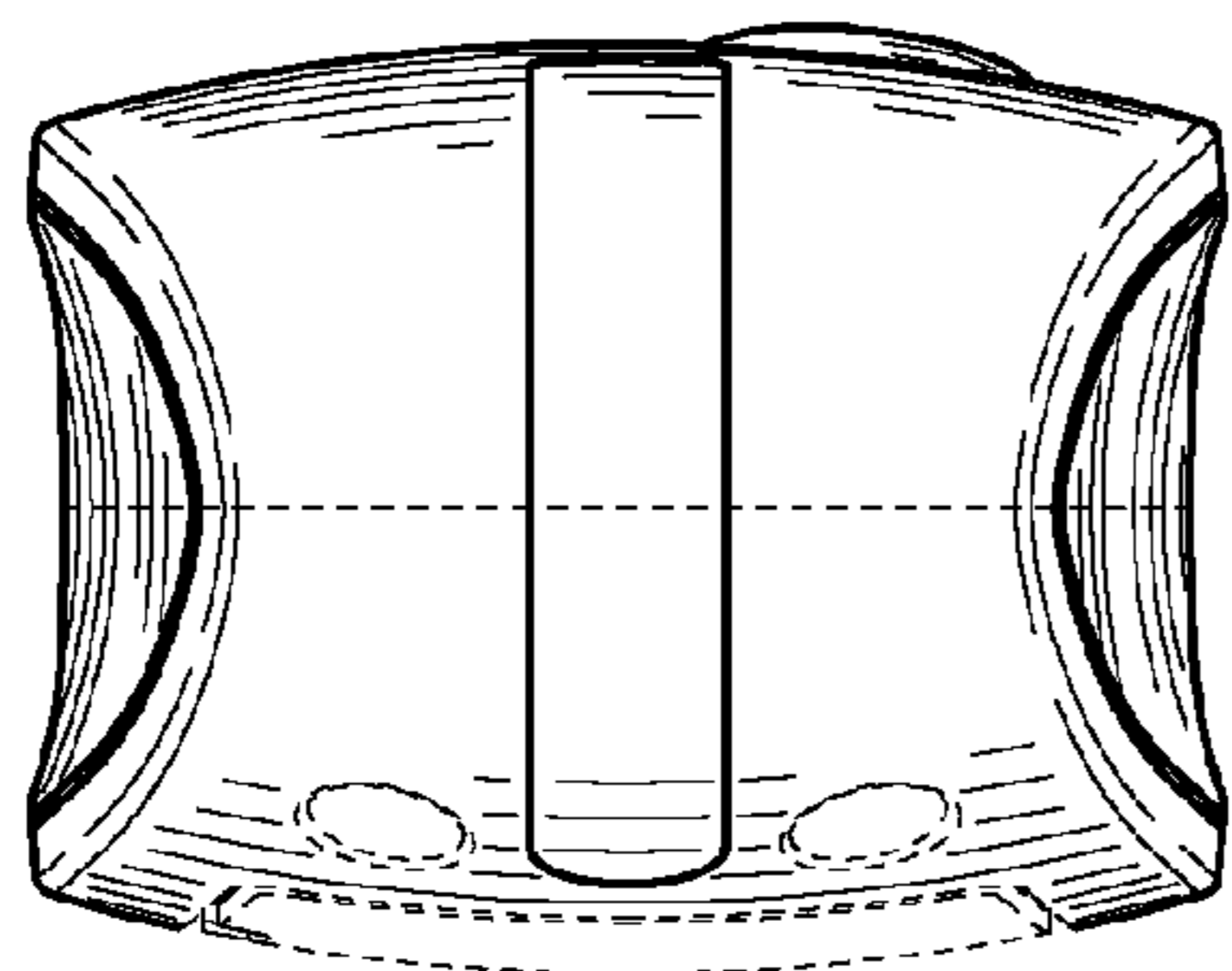


Fig. 5

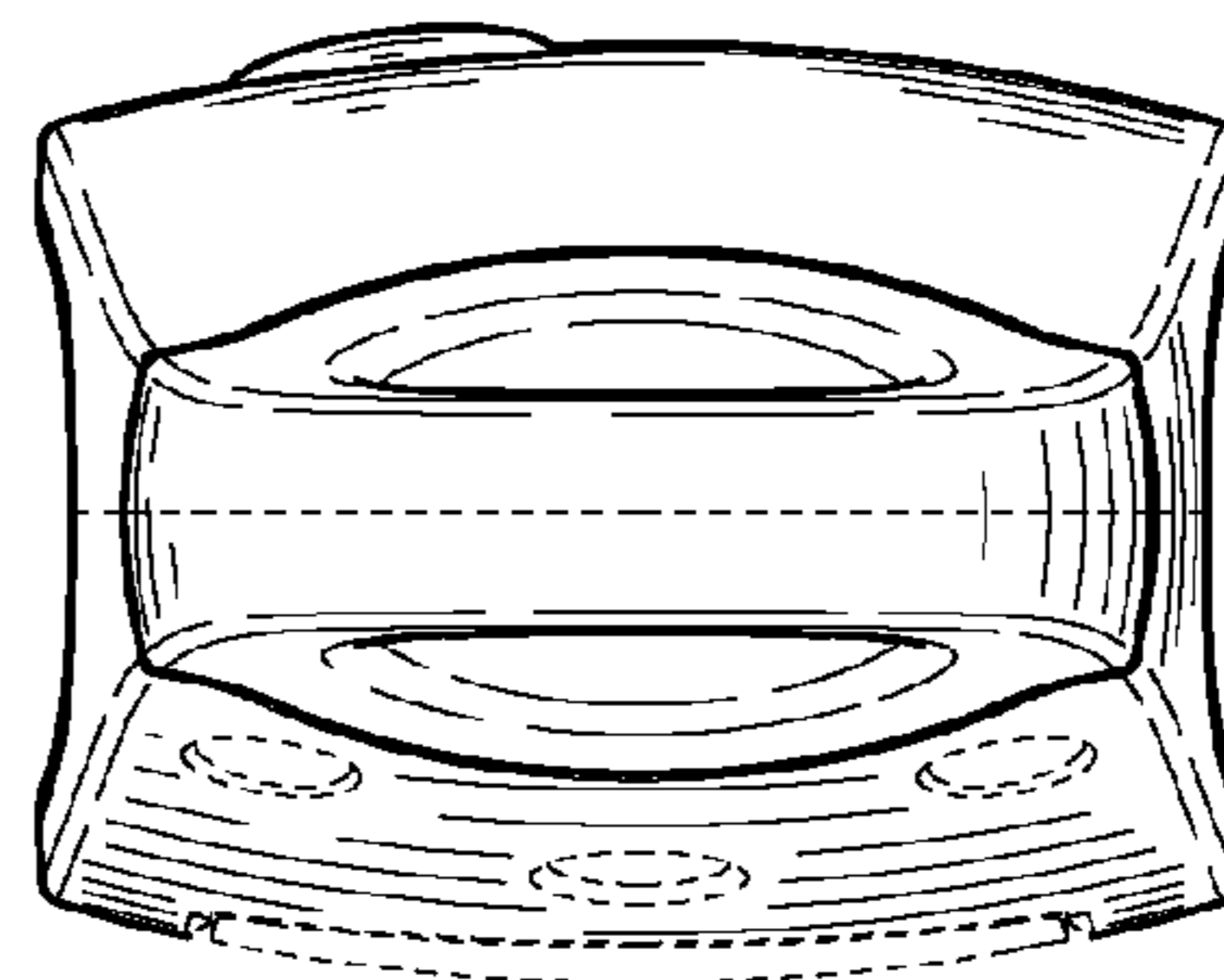


Fig. 6

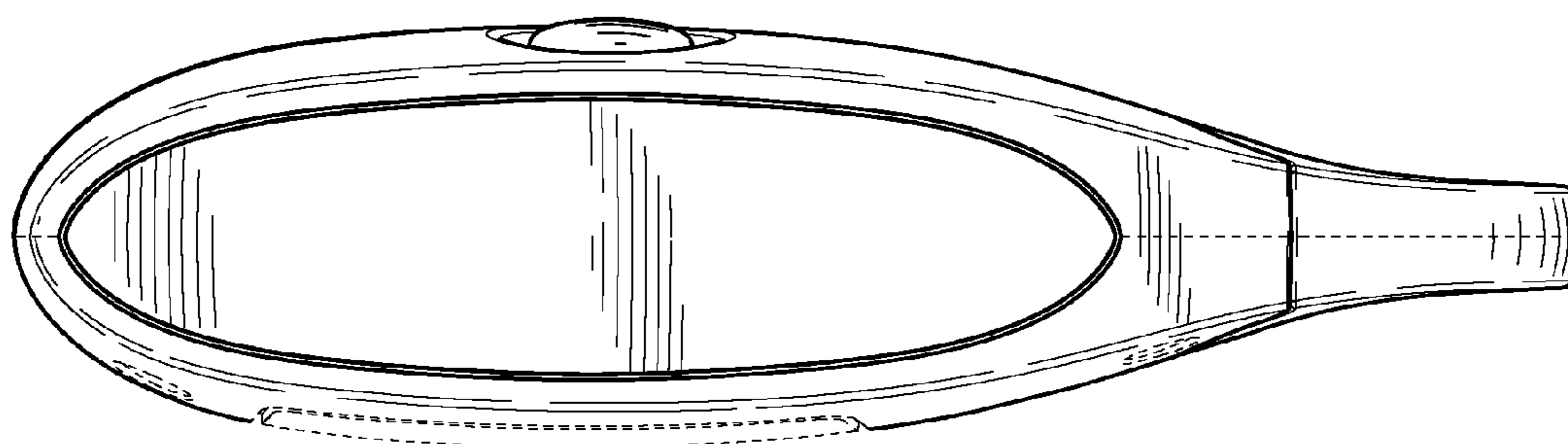


Fig. 7

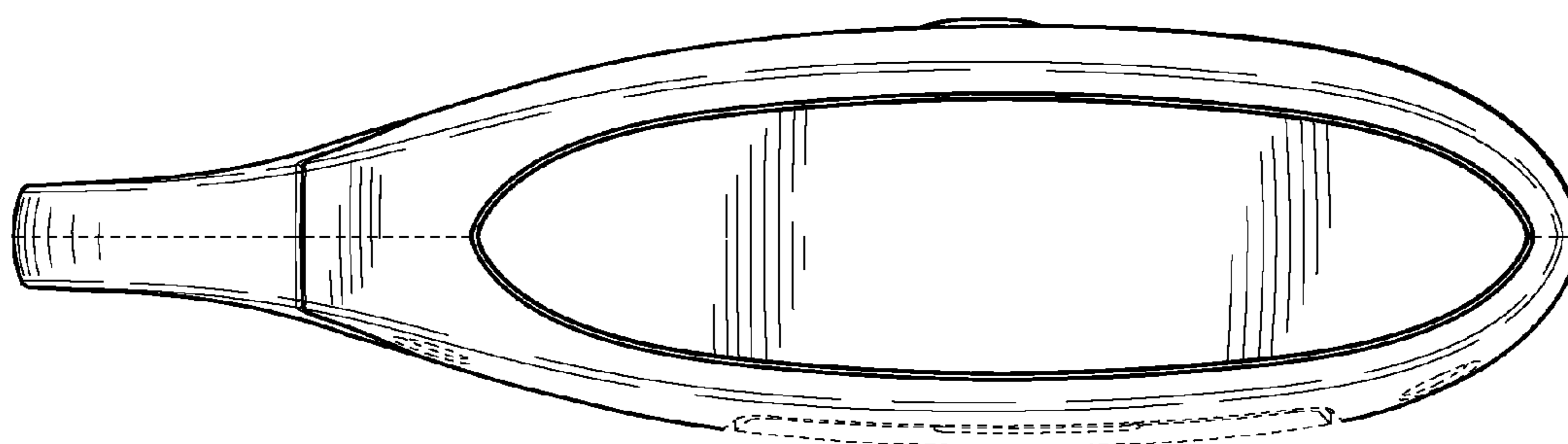


Fig. 8