



US00D616123S

(12) **United States Design Patent**
Ectors et al.

(10) **Patent No.:** **US D616,123 S**
(45) **Date of Patent:** **** May 18, 2010**

(54) **VEHICLE FOG LAMP**

(75) Inventors: **Bregt Ectors**, Birmingham, MI (US);
Doyle Letson, Novi, MI (US); **Hak Soo Ha**, Northville, MI (US)

(73) Assignee: **Ford Motor Company**, Dearborn, MI (US)

(**) Term: **14 Years**

(21) Appl. No.: **29/343,859**

(22) Filed: **Sep. 21, 2009**

(51) **LOC (9) Cl.** **26-06**

(52) **U.S. Cl.** **D26/28**

(58) **Field of Classification Search** D26/28-36;
362/459-468, 475-478, 485-487
See application file for complete search history.

(56) **References Cited**

U.S. PATENT DOCUMENTS

- D542,445 S * 5/2007 Matsunami D26/28
- D555,815 S 11/2007 Golden et al.
- D582,583 S * 12/2008 Ohta D26/28
- D598,589 S * 8/2009 Kasai D26/28

OTHER PUBLICATIONS

2010 Ford Edge 3.5 Sport AWD, Jan. 2009 NA Auto Show.
Road & Track Magazine, Jun. 2009.

Edmunds' Inside Line, Jun. 3, 2009.

The Car Tech Blog, Jun. 25, 2009.

* cited by examiner

Primary Examiner—Marcus A Jackson

(74) *Attorney, Agent, or Firm*—Damian Porcari

(57) **CLAIM**

An ornamental design for a vehicle fog lamp, as shown and described.

DESCRIPTION

FIG. 1 is a left side elevational view of a left vehicle fog lamp (the right vehicle fog lamp being a minor image and is not shown);

FIG. 2 is right side elevational view of the vehicle fog lamp;

FIG. 3 is a front elevational view of the vehicle fog lamp;

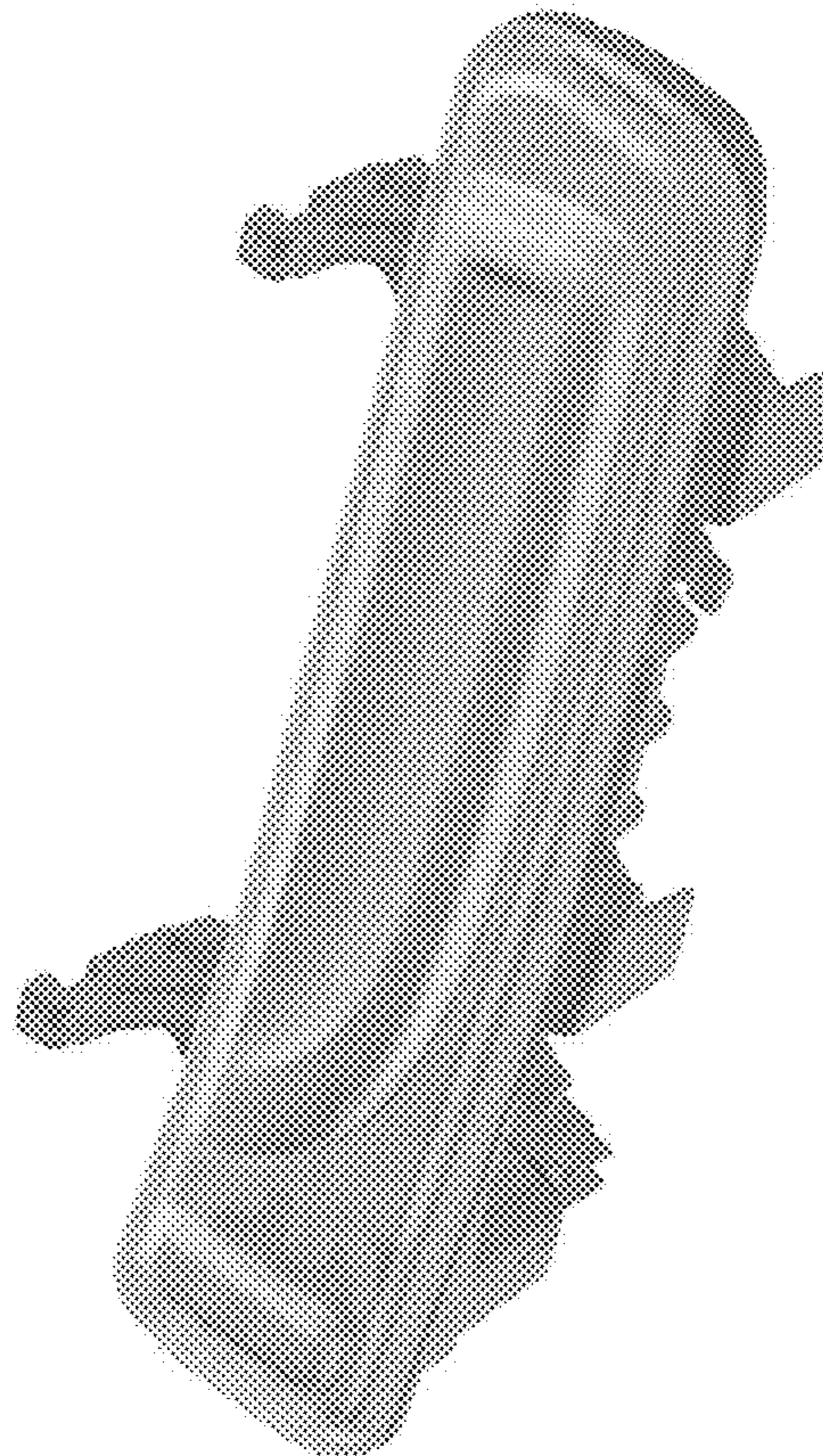
FIG. 4 is a rear elevational view of the vehicle fog lamp;

FIG. 5 is a top plan view of the vehicle fog lamp;

FIG. 6 is a bottom plan view of the vehicle fog lamp; and,

FIG. 7 is a perspective view of the vehicle fog lamp.

1 Claim, 7 Drawing Sheets



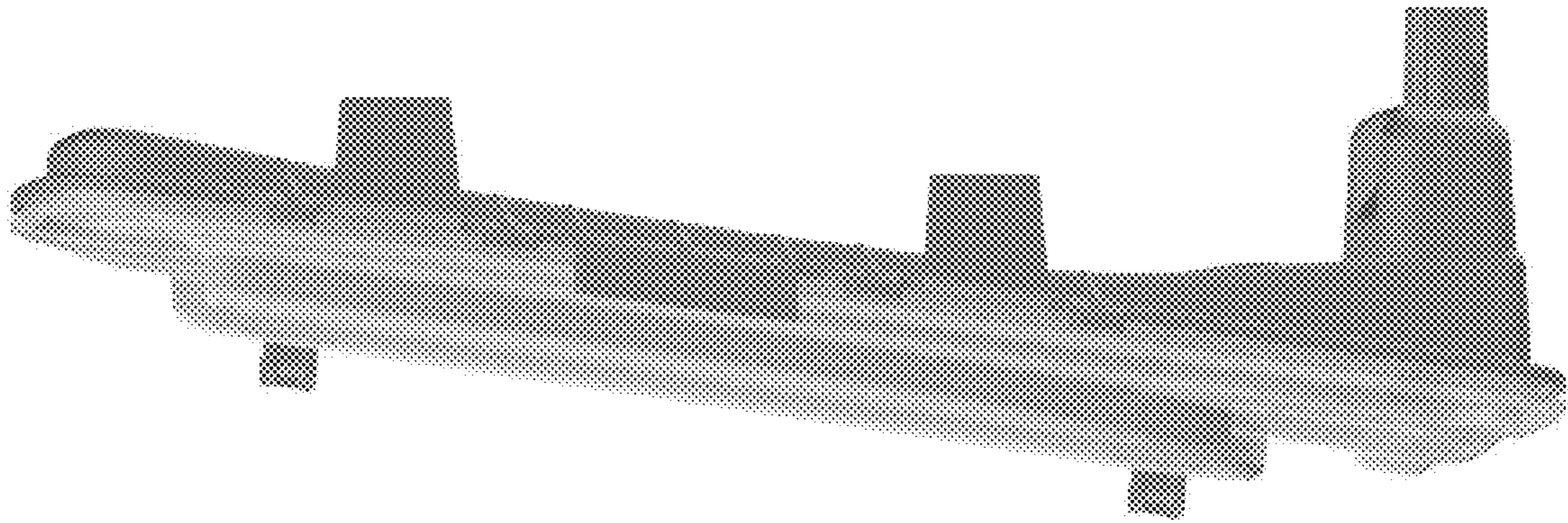
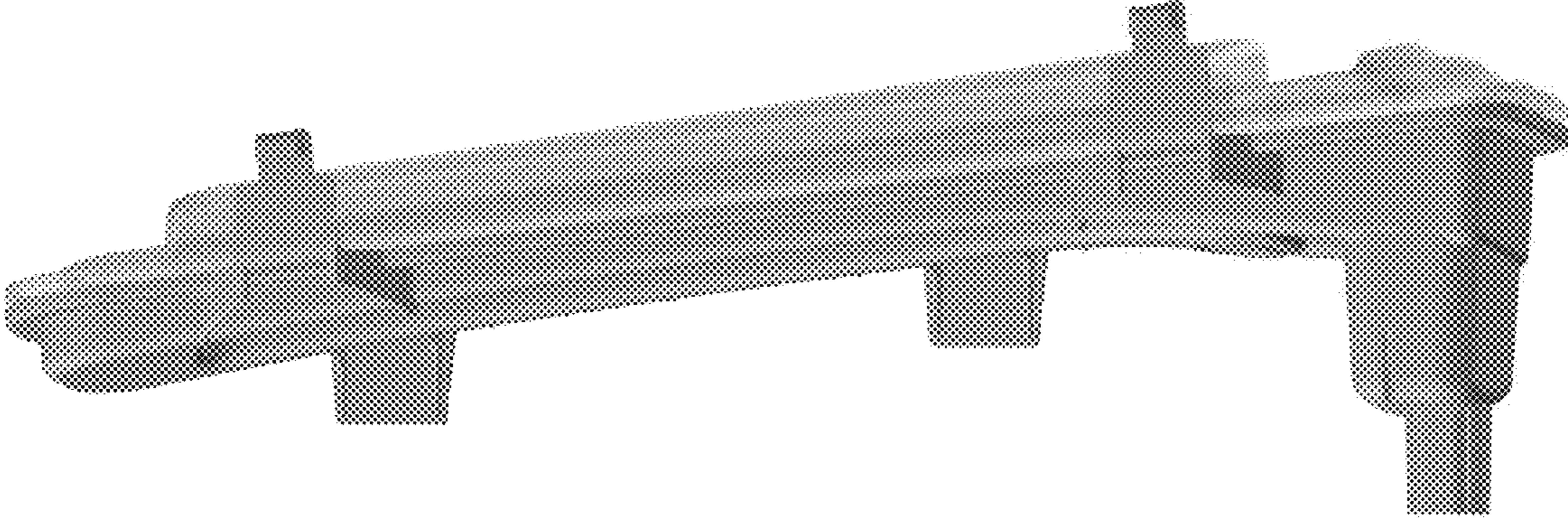


Figure 1

Figure 2



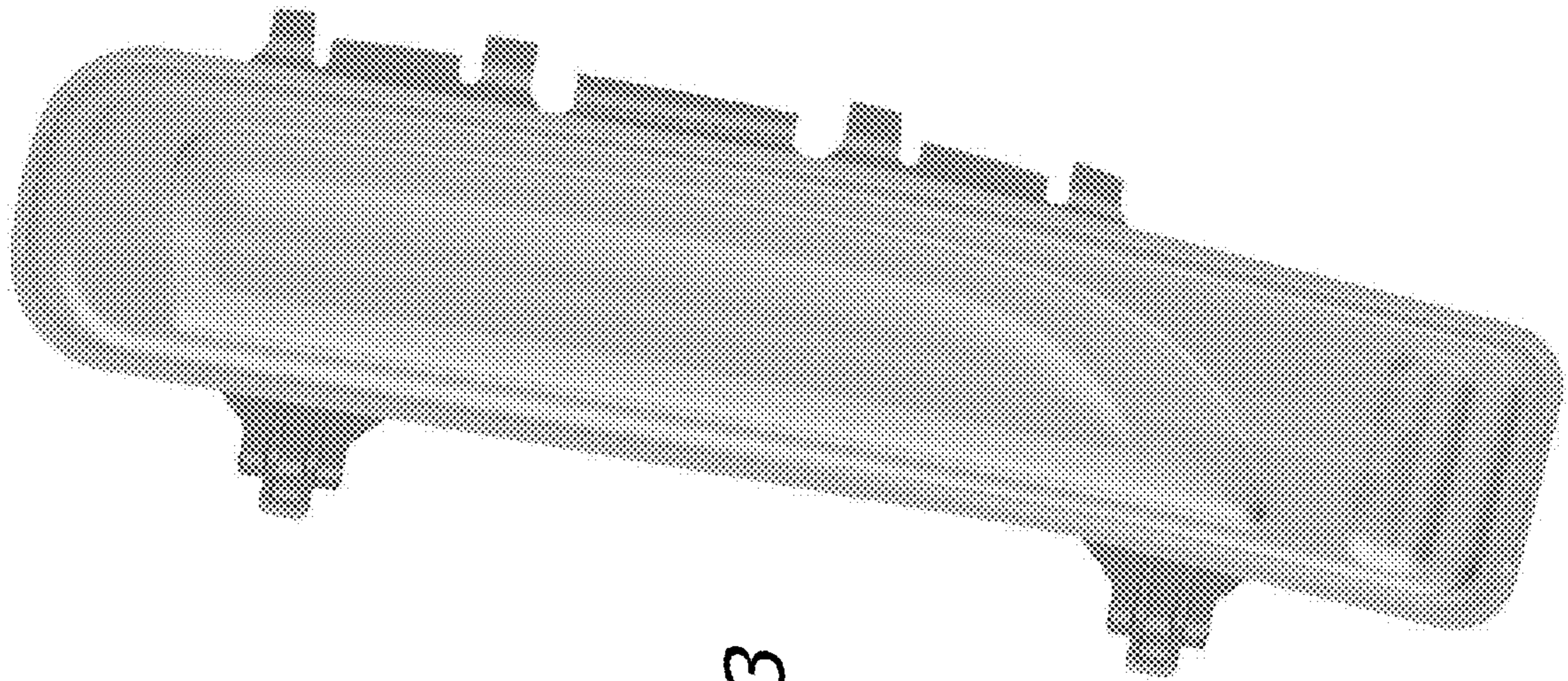


Figure 3

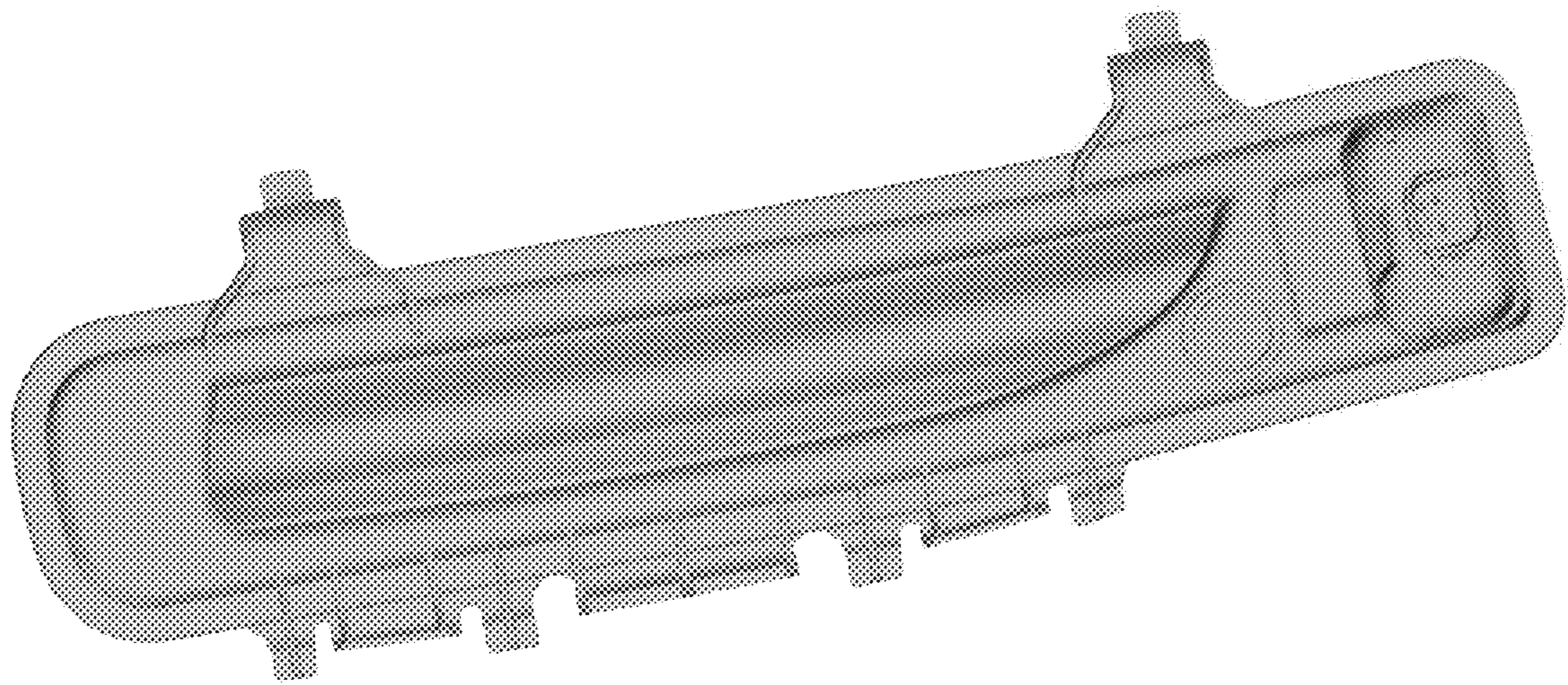


Figure 4

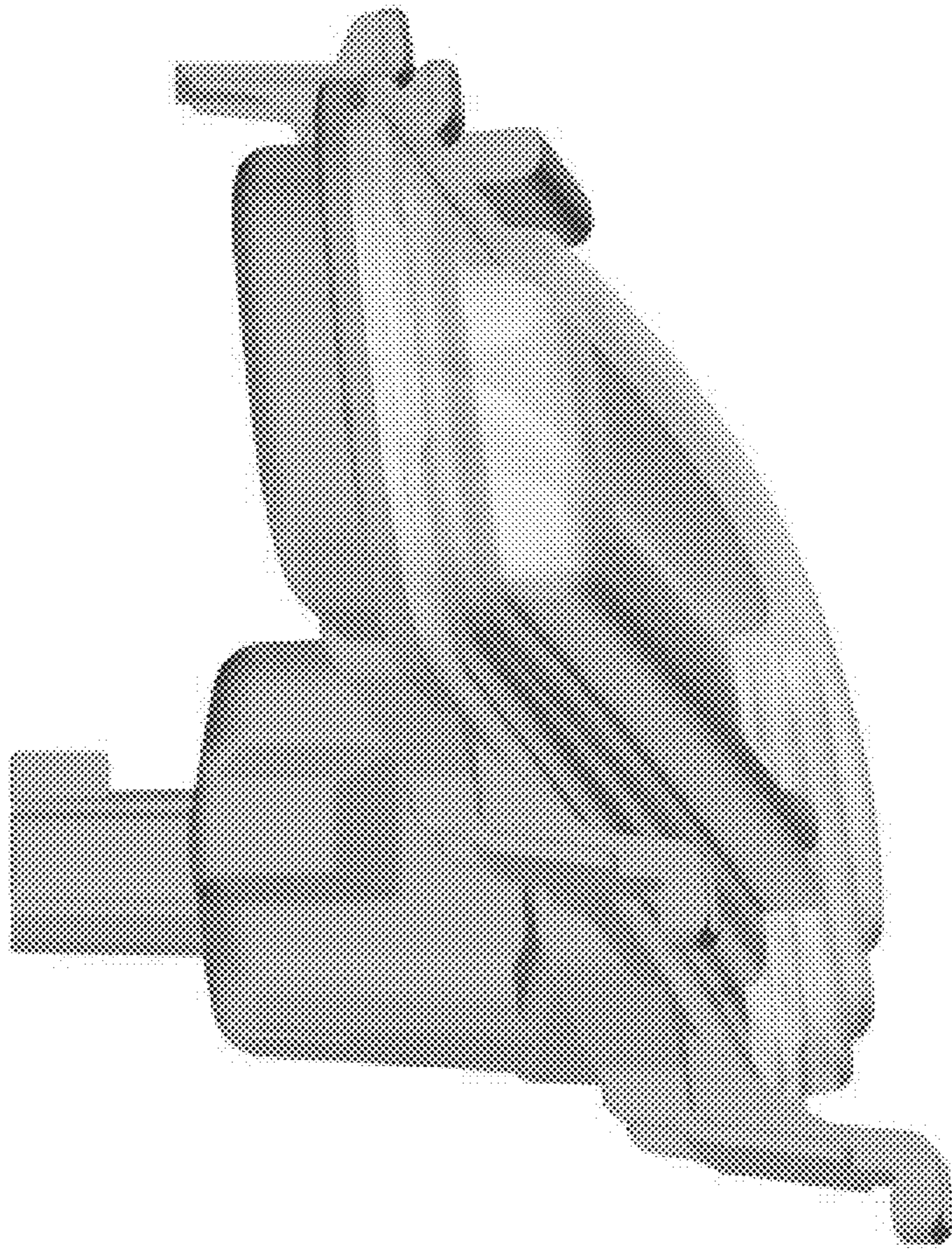


Figure 5

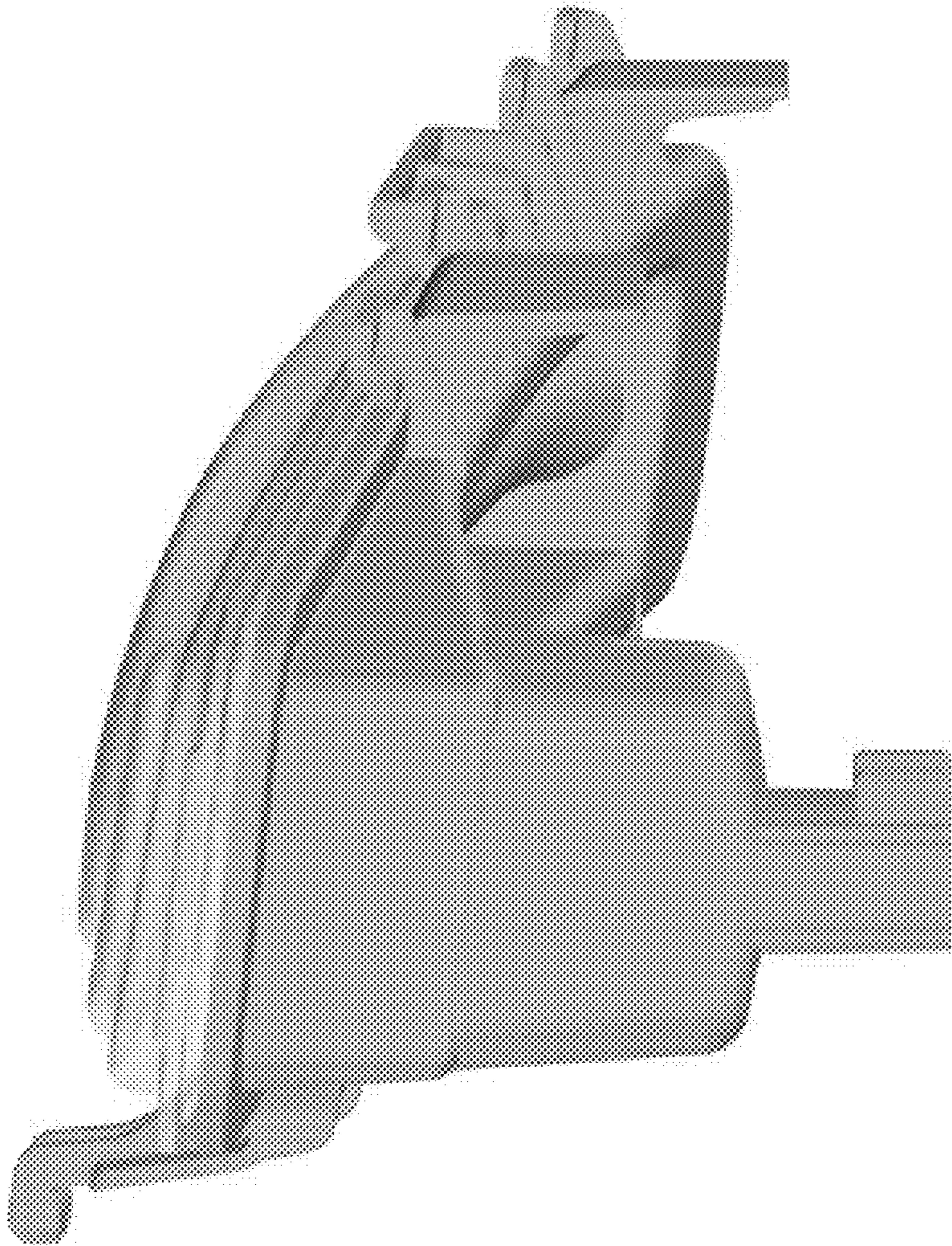


Figure 6

Figure 7

