



US00D616120S

(12) **United States Design Patent**
Wada et al.

(10) **Patent No.:** **US D616,120 S**
(45) **Date of Patent:** **** May 18, 2010**

(54) **LIGHT EMITTING DIODE LAMP**
(75) Inventors: **Asuka Wada**, Kanagawa (JP); **Aiko Hiraga**, Kanagawa (JP)
(73) Assignees: **Toshiba Lighting & Technology Corporation**, Kanagawa (JP); **Kabushiki Kaisha Toshiba**, Tokyo (JP)
(**) Term: **14 Years**
(21) Appl. No.: **29/351,589**
(22) Filed: **Dec. 8, 2009**
(30) **Foreign Application Priority Data**
Jun. 10, 2009 (JP) 2009-013175

(51) **LOC (9) Cl.** **26-04**
(52) **U.S. Cl.** **D26/2**
(58) **Field of Classification Search** D26/1-4;
313/313, 315, 316, 317, 318, 493; 315/52,
315/53, 56, 57, 58
See application file for complete search history.

(56) **References Cited**
U.S. PATENT DOCUMENTS
D508,575 S * 8/2005 Buschmann et al. D26/2
D528,227 S * 9/2006 Chou et al. D26/2
D531,741 S * 11/2006 Takahashi D26/2
D534,665 S * 1/2007 Egawa et al. D26/2

D538,953 S * 3/2007 Mama D26/2
D541,440 S * 4/2007 Feit D26/2
D553,267 S * 10/2007 Yuen D26/2
D581,556 S 11/2008 To et al.
D590,523 S * 4/2009 Takahashi D26/2

FOREIGN PATENT DOCUMENTS
EM 000812359-0004 12/2007
EM 001021000-0001 12/2008

* cited by examiner
Primary Examiner—Marcus A Jackson
(74) *Attorney, Agent, or Firm*—J.C. Patents

(57) **CLAIM**

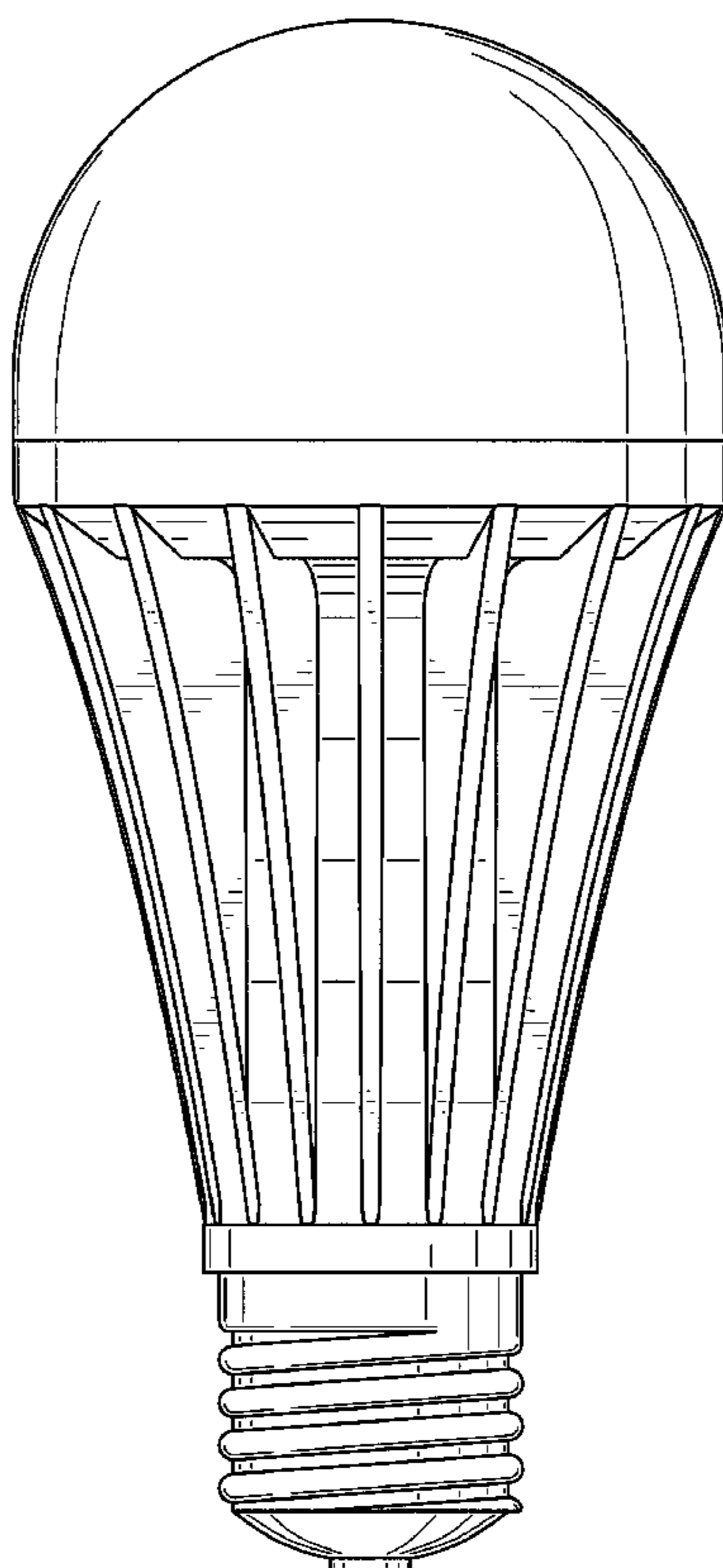
The ornamental design for a light emitting diode lamp, as shown and described.

DESCRIPTION

FIG. 1 is a front view of a light emitting diode lamp showing our new design;
FIG. 2 is a rear view thereof;
FIG. 3 is a left side view thereof;
FIG. 4 is a right side view thereof;
FIG. 5 is a top view thereof; and,
FIG. 6 is a bottom view thereof.

The cover of the claimed light emitting diode lamp covering the light sources thereof is pervious to light.

1 Claim, 5 Drawing Sheets



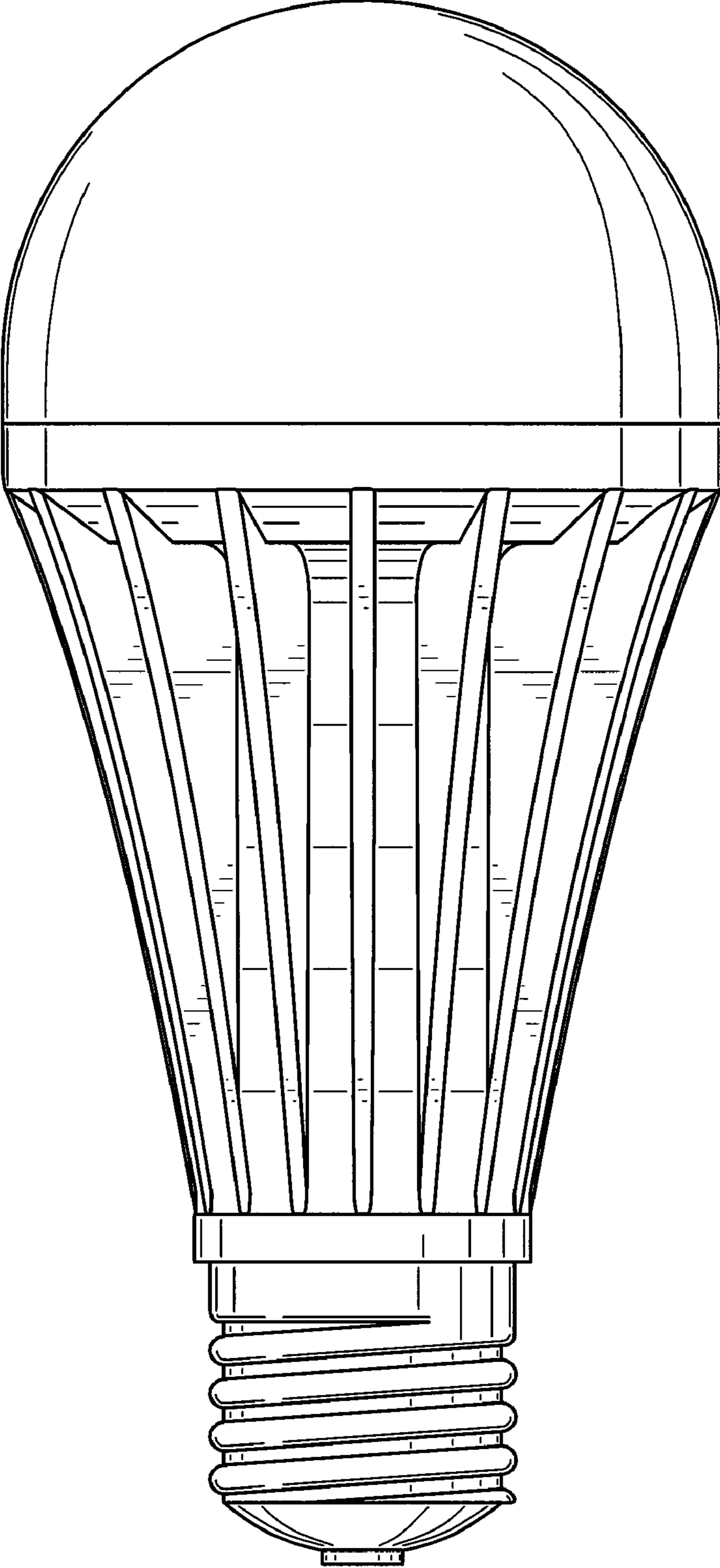


FIG. 1

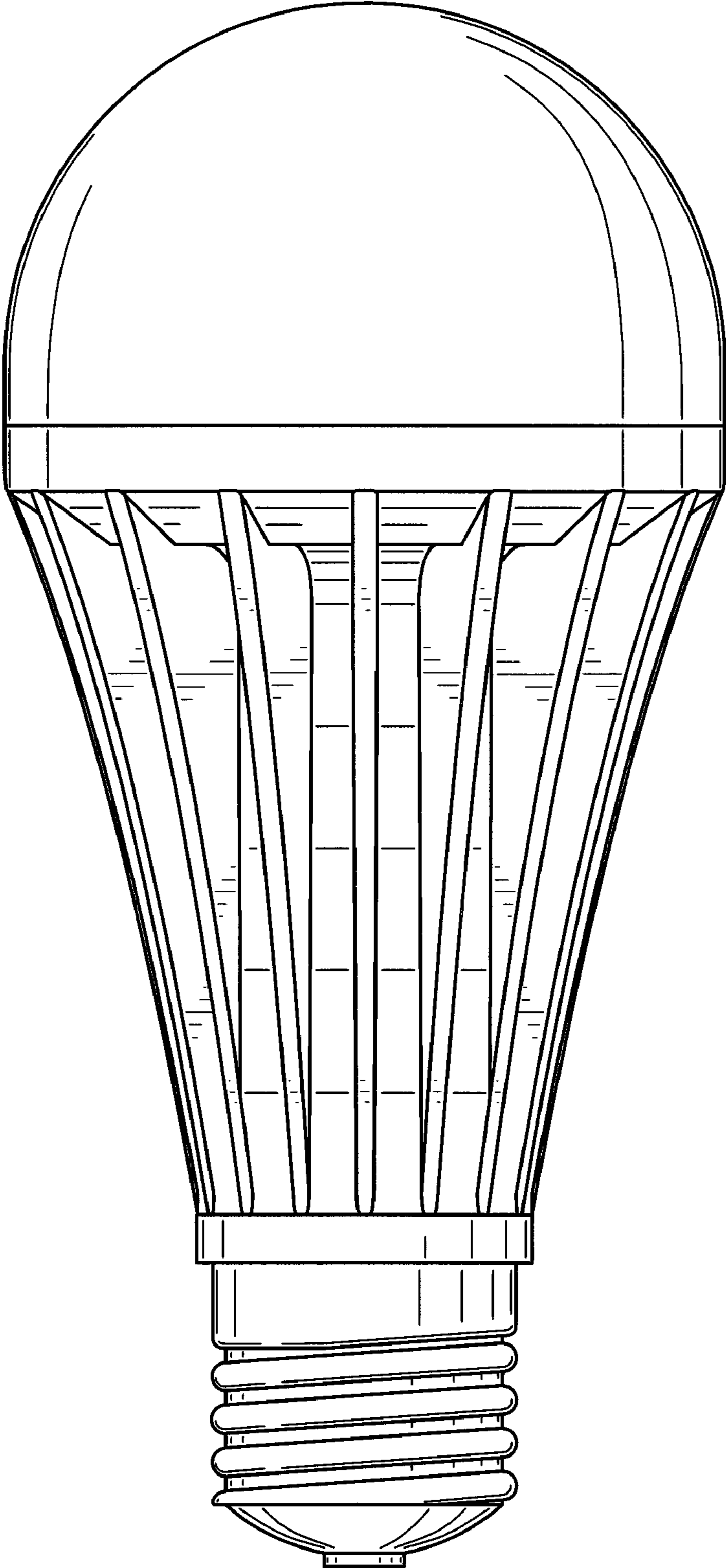


FIG. 2

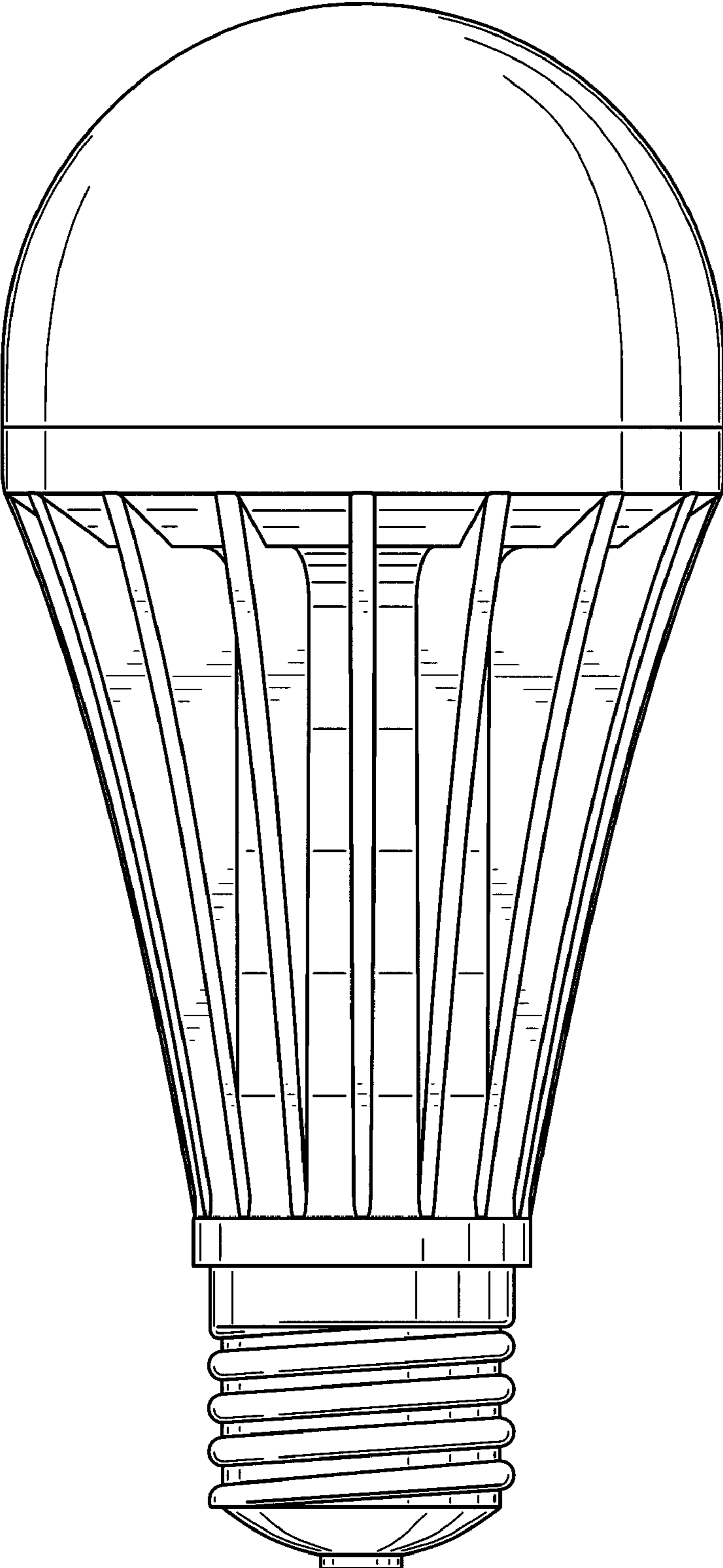


FIG. 3

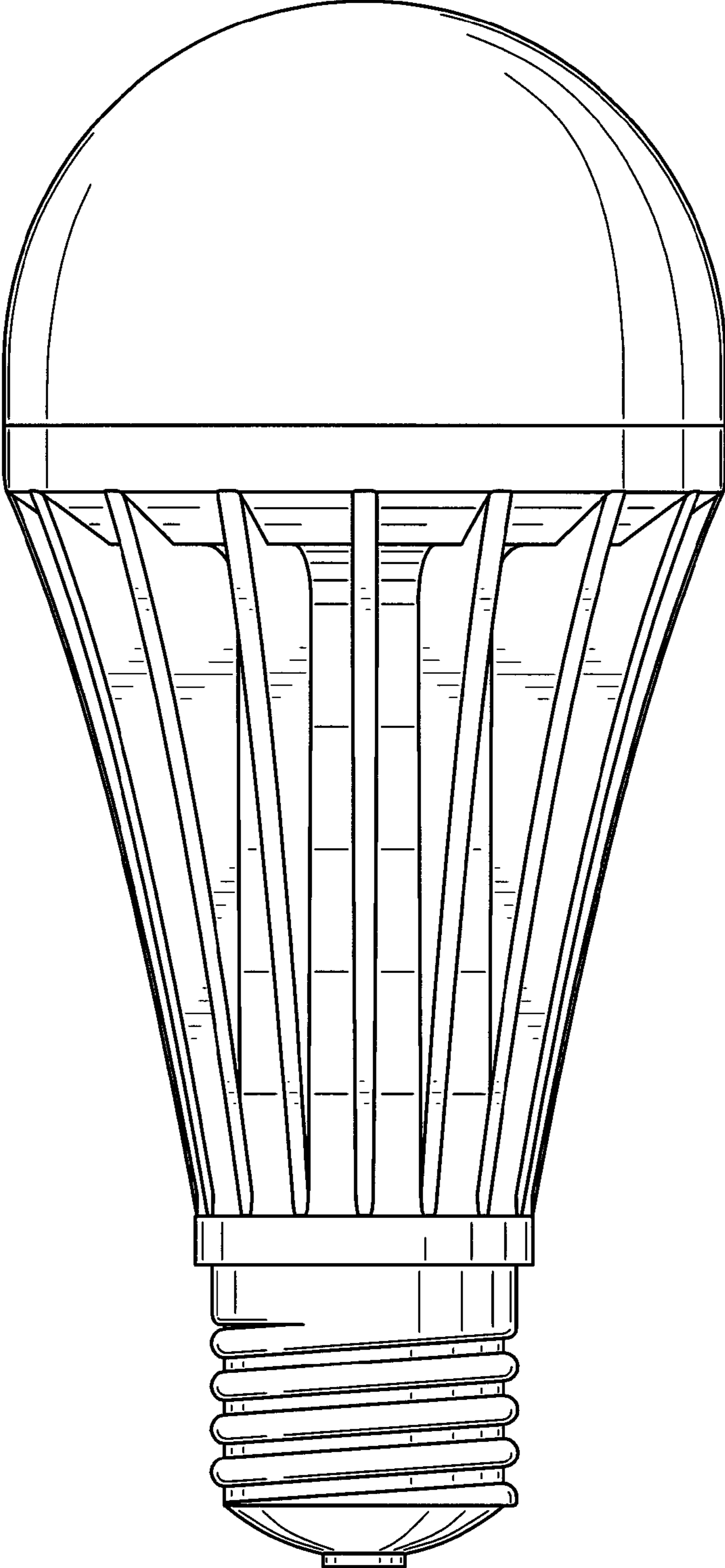


FIG. 4

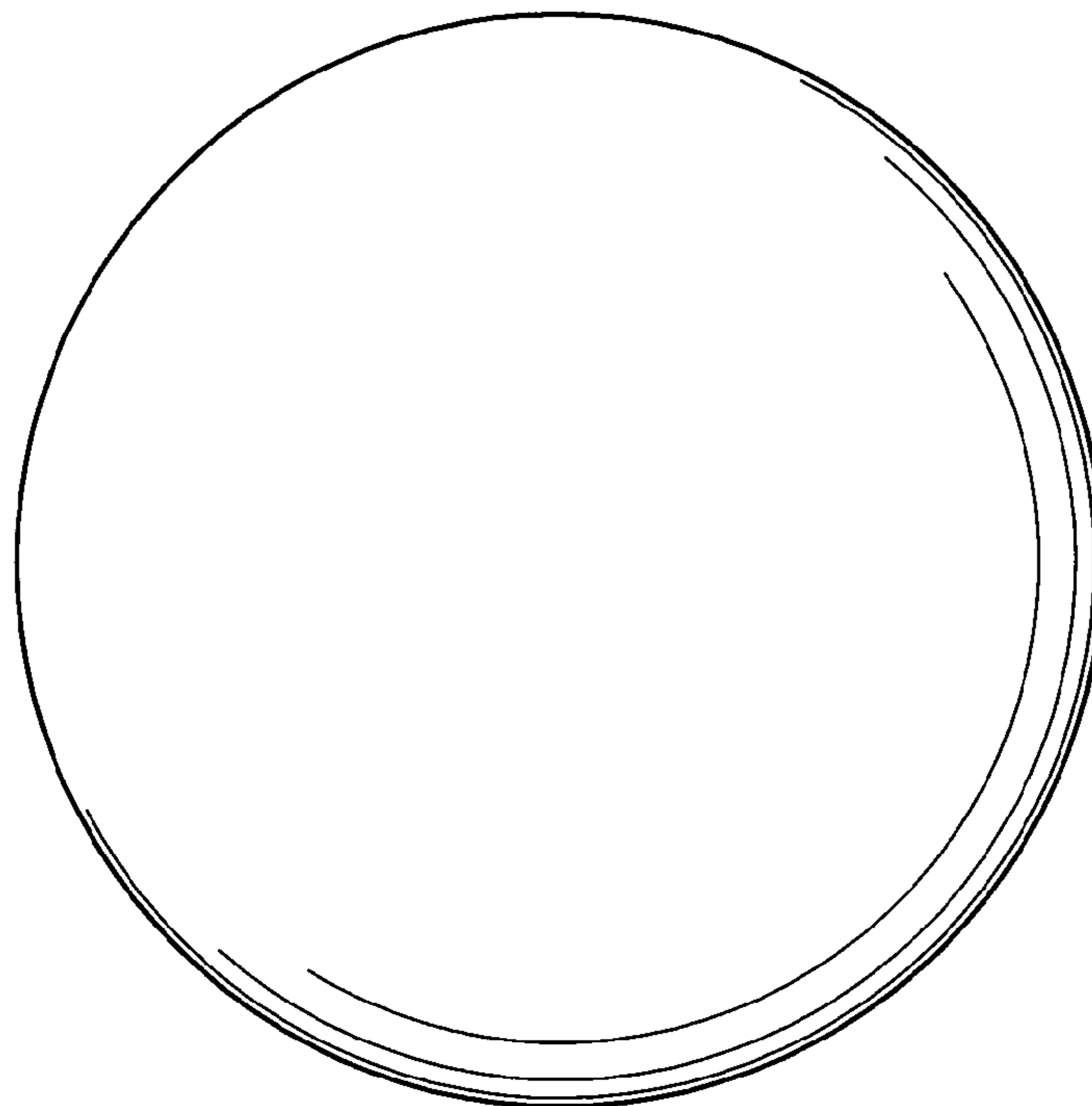


FIG. 5

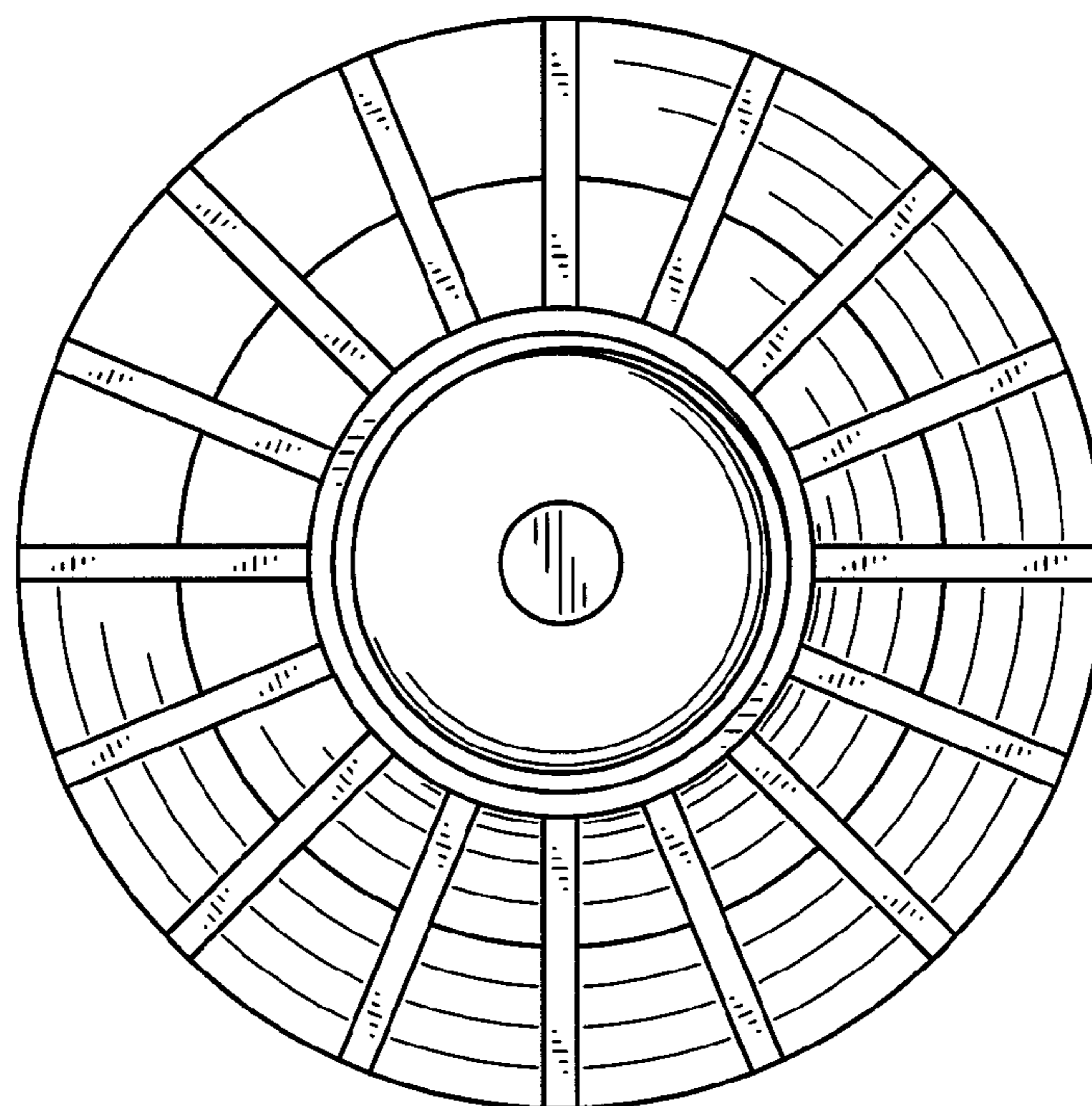


FIG. 6