



US00D616118S

(12) **United States Design Patent**
Thomas et al.

(10) **Patent No.:** **US D616,118 S**
(45) **Date of Patent:** **** May 18, 2010**

(54) **LED LIGHT FIXTURE**

D584,838 S * 1/2009 To et al. D26/2
D587,383 S * 2/2009 Wei D26/2

(75) Inventors: **James Thomas**, Tierra Verde, FL (US);
Gary Gatesman, Indian Rocks Beach,
FL (US); **David Lynd**, Seminole, FL
(US); **Jim Mosier**, St. Petersburg, FL
(US)

* cited by examiner

Primary Examiner—Marcus A Jackson
(74) *Attorney, Agent, or Firm*—McDermott Will & Emery
LLP

(73) Assignee: **ElectraLED Inc.**, Largo, FL (US)

(57) **CLAIM**

(**) Term: **14 Years**

We claim the ornamental design for a LED light fixture, as
shown and described.

(21) Appl. No.: **29/315,015**

(22) Filed: **May 18, 2009**

DESCRIPTION

(51) **LOC (9) Cl.** **26-04**

FIG. 1 is a front perspective view of a LED light fixture of the
invention;

(52) **U.S. Cl.** **D26/2**

FIG. 2 is a rear perspective view of the LED light fixture;

(58) **Field of Classification Search** D26/1-4;
313/313, 315, 316, 317, 318, 493; 315/52,
315/53, 56, 57, 58

FIG. 3 is a front view of the LED light fixture;

FIG. 4 is a rear view of the LED light fixture;

See application file for complete search history.

FIG. 5 is a first side view of the LED light fixture; and,

FIG. 6 is a second side view of the LED light fixture.

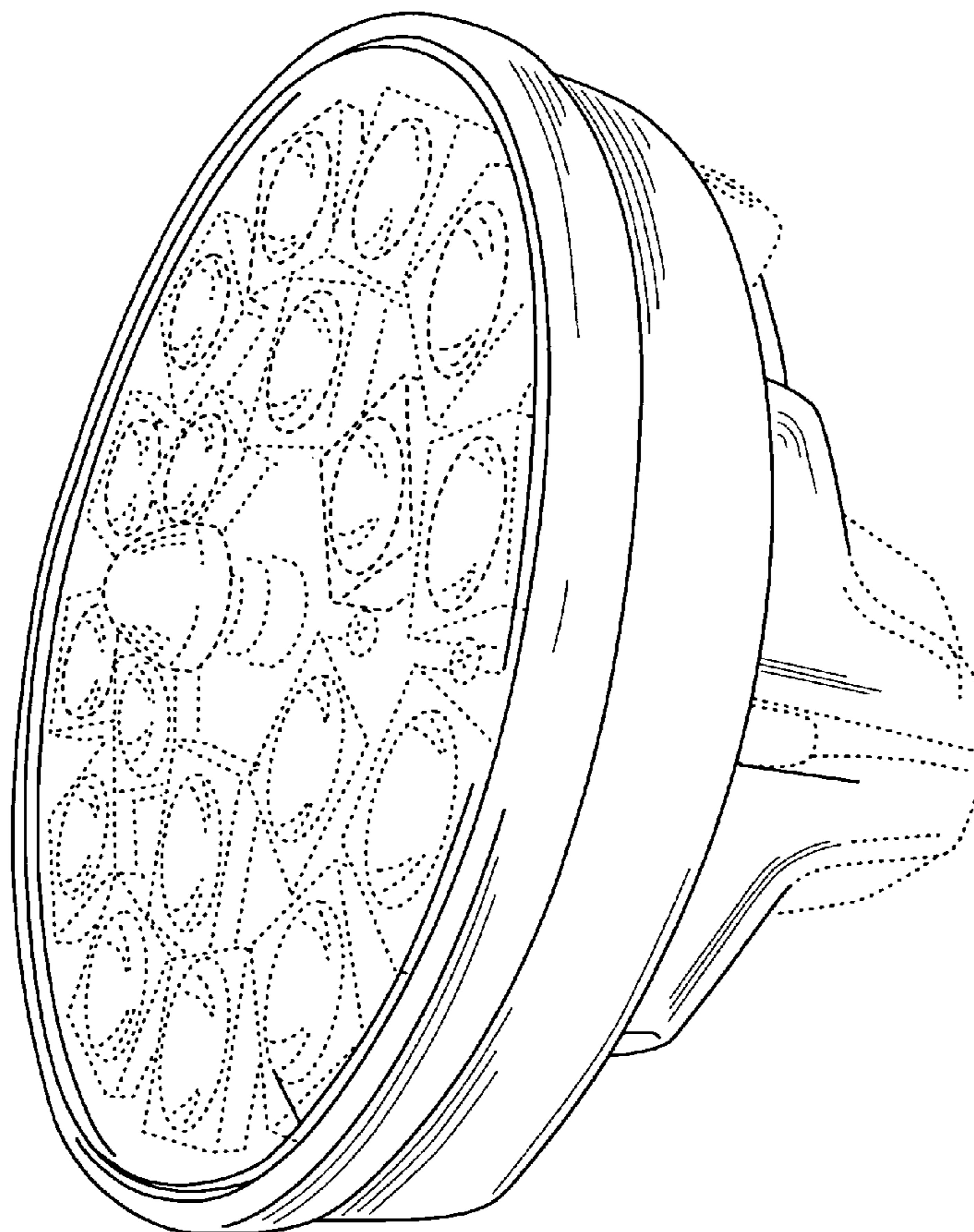
(56) **References Cited**

The broken lines in FIGS. 1-6 are for the purpose of illustrat-
ing unclaimed features and form no part of the claimed
design.

U.S. PATENT DOCUMENTS

D544,117 S * 6/2007 Coughaine D26/37
D570,012 S * 5/2008 Huang D26/28
D578,677 S * 10/2008 Huang D26/28
D578,678 S * 10/2008 Huang D26/28

1 Claim, 6 Drawing Sheets



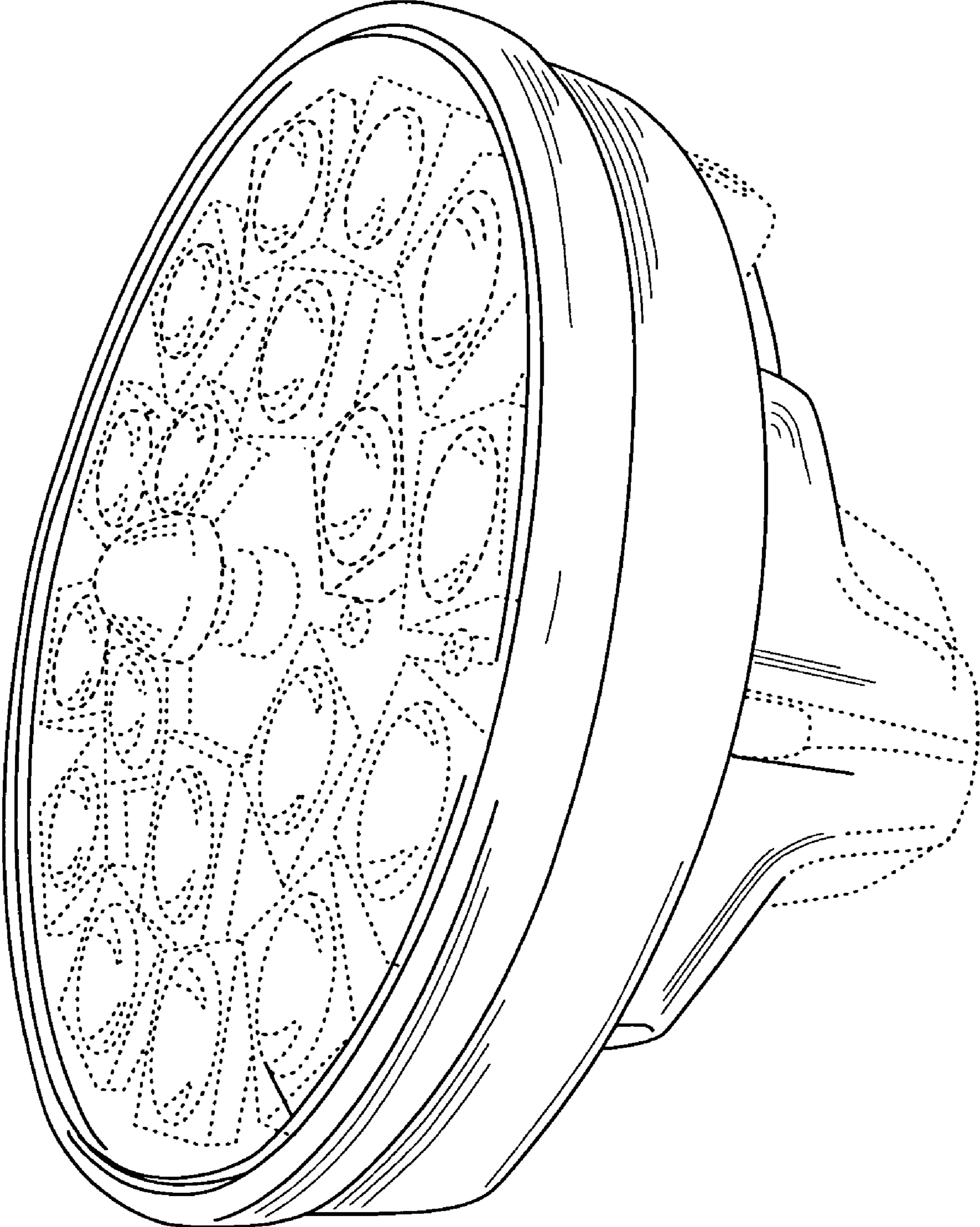


FIG. 1

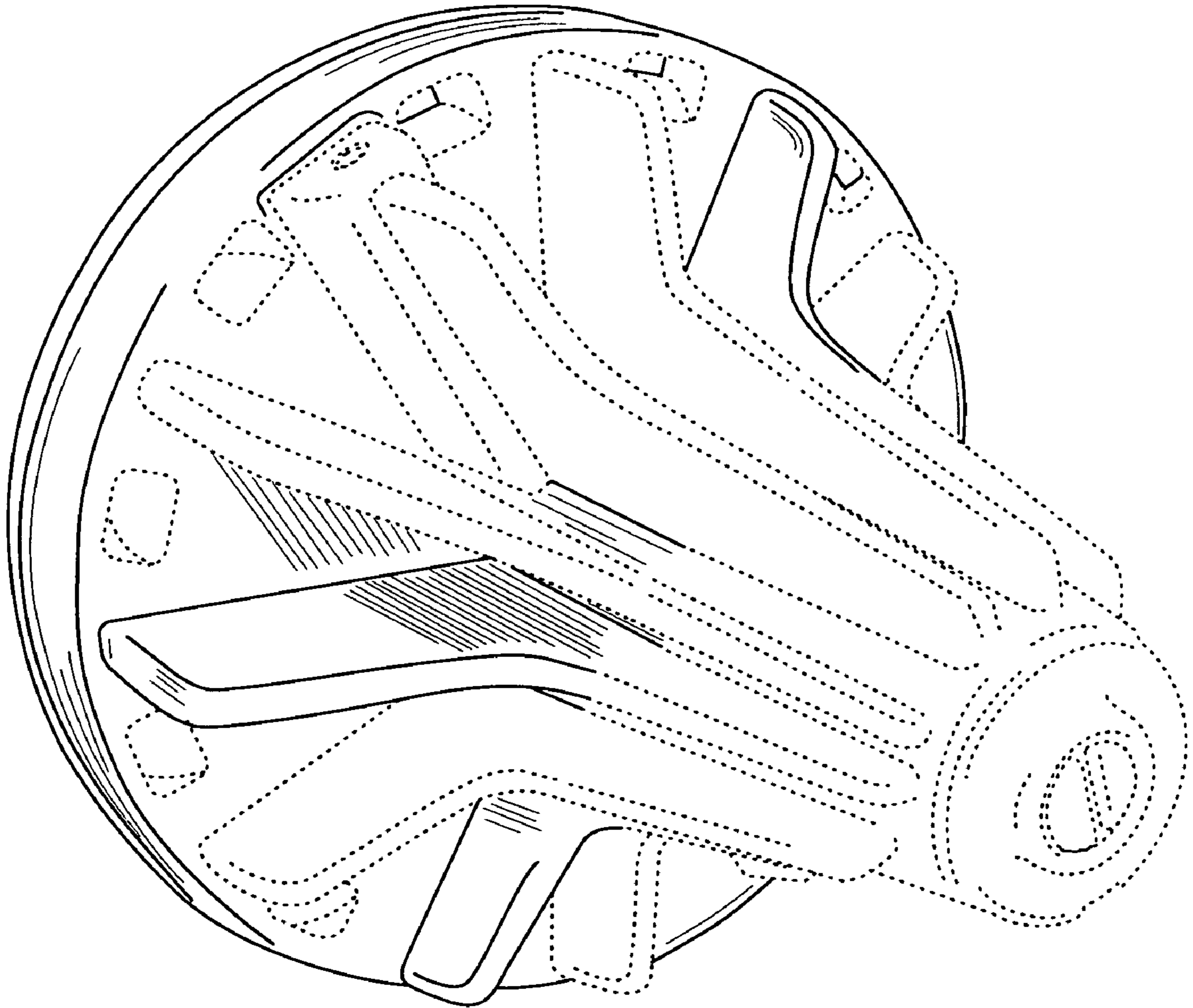


FIG. 2

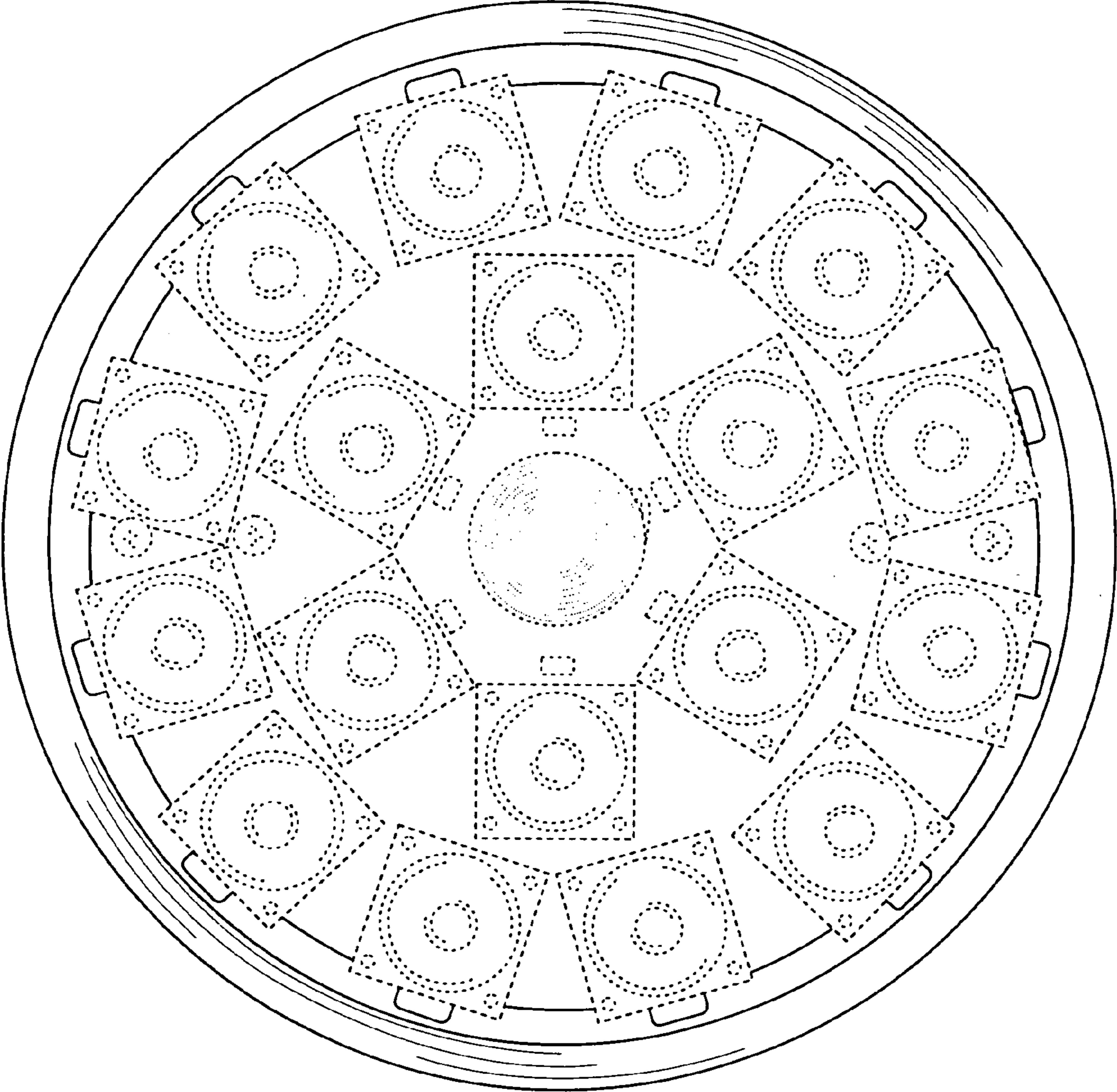


FIG. 3

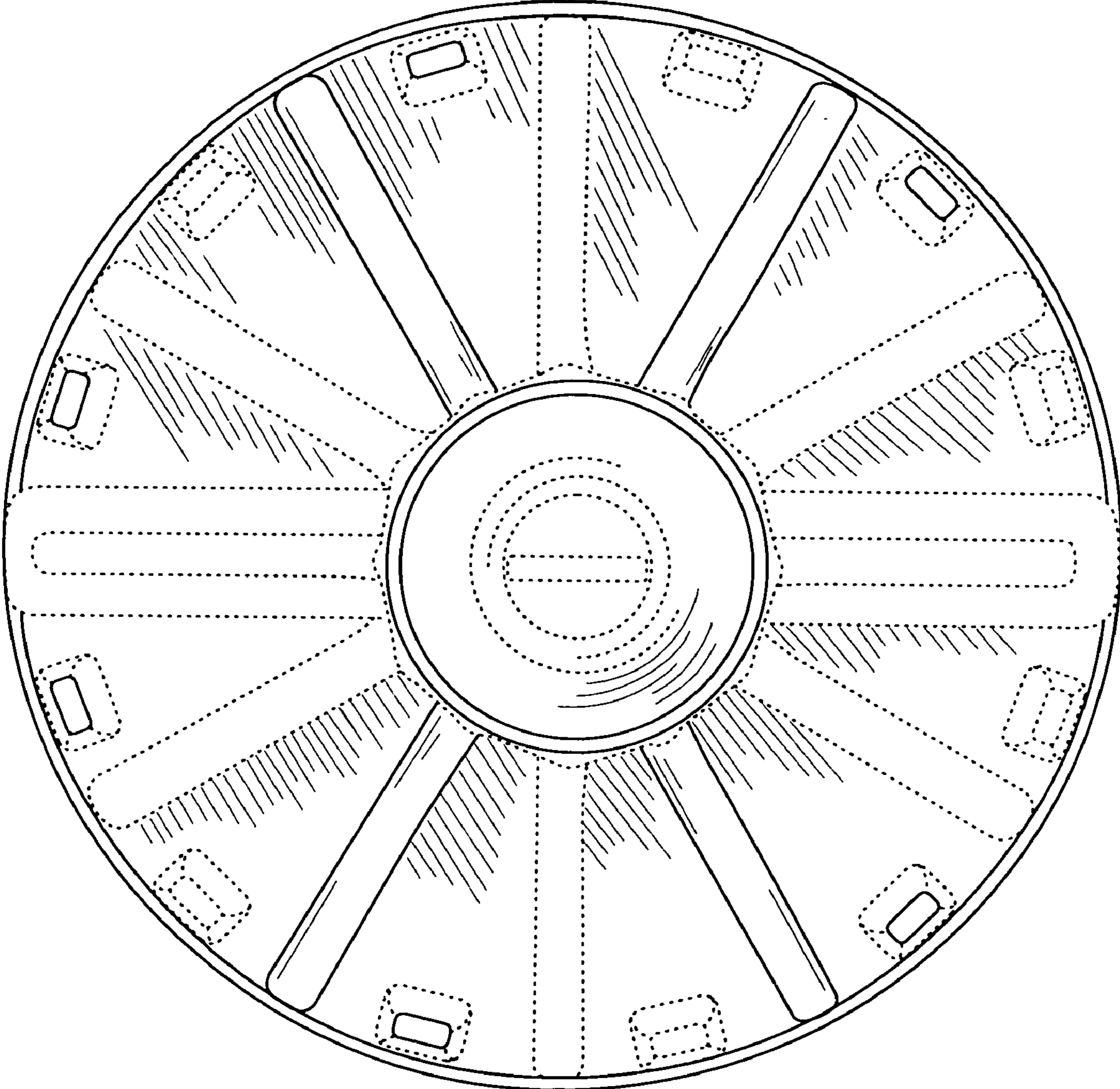


FIG. 4

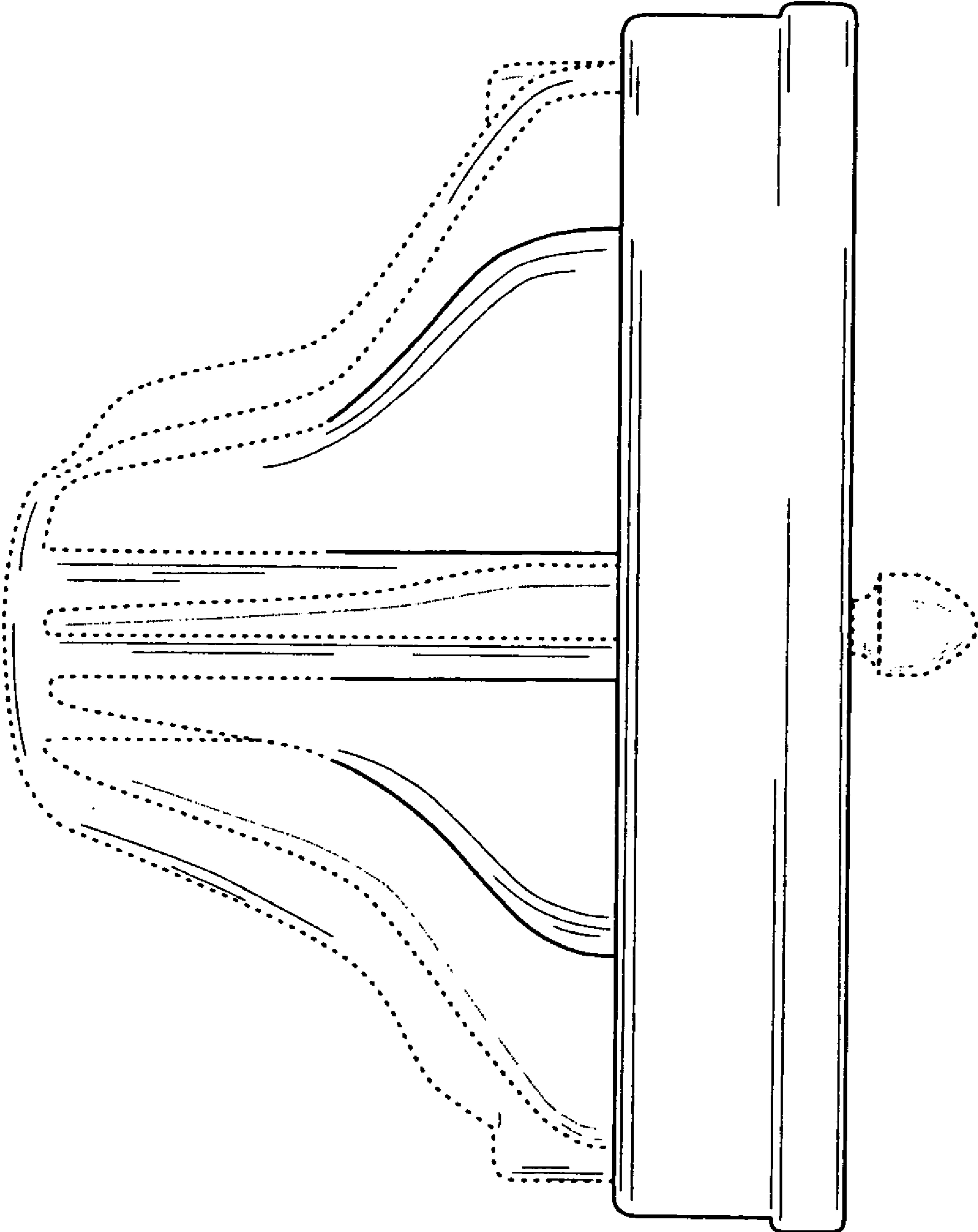


FIG. 5

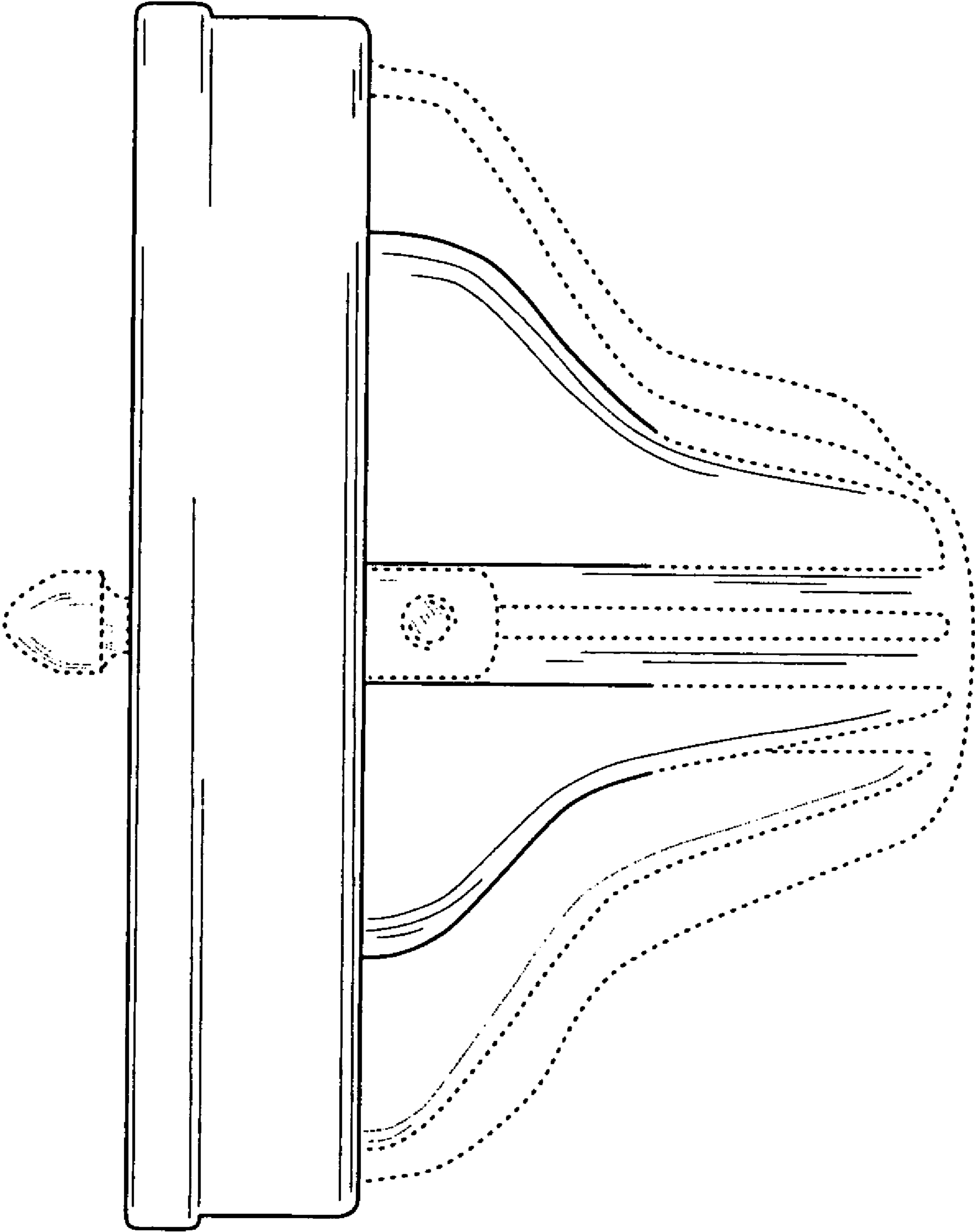


FIG. 6