



US00D616117S

(12) **United States Design Patent**  
**Steiber et al.**

(10) **Patent No.:** **US D616,117 S**

(45) **Date of Patent:** **\*\* May 18, 2010**

(54) **FLAT PANEL DOOR FACING**

(75) Inventors: **Michael F. Steiber**, Aurora, IL (US);  
**Dale E. Schafernak**, Palatine, IL (US);  
**Peggie A. Bolan**, Glenview, IL (US)

(73) Assignee: **Craftmaster Manufacturing, Inc.**,  
Chicago, IL (US)

(\*\*) Term: **14 Years**

(21) Appl. No.: **29/314,128**

(22) Filed: **Mar. 5, 2009**

**Related U.S. Application Data**

(60) Continuation of application No. 29/306,480, filed on  
Apr. 10, 2008, now abandoned, which is a division of  
application No. 29/285,351, filed on Mar. 28, 2007,  
now Pat. No. Des. 576,740, which is a continuation-  
in-part of application No. 29/255,578, filed on Mar. 9,  
2006, now abandoned.

(51) **LOC (9) Cl.** ..... **25-01**

(52) **U.S. Cl.** ..... **D25/136**

(58) **Field of Classification Search** ..... D25/48,  
D25/136; 52/455; 49/504, DIG. 2

See application file for complete search history.

(56) **References Cited**

**U.S. PATENT DOCUMENTS**

4,236,365 A \* 12/1980 Wheeler ..... 52/455  
D373,431 S \* 9/1996 Douglas et al. .... D25/136  
D411,022 S \* 6/1999 Schafernak et al. .... D25/150  
7,426,806 B2 \* 9/2008 Lynch et al. .... 52/455

\* cited by examiner

*Primary Examiner*—Doris Clark

(74) *Attorney, Agent, or Firm*—McDermott Will & Emery  
LLP

(57) **CLAIM**

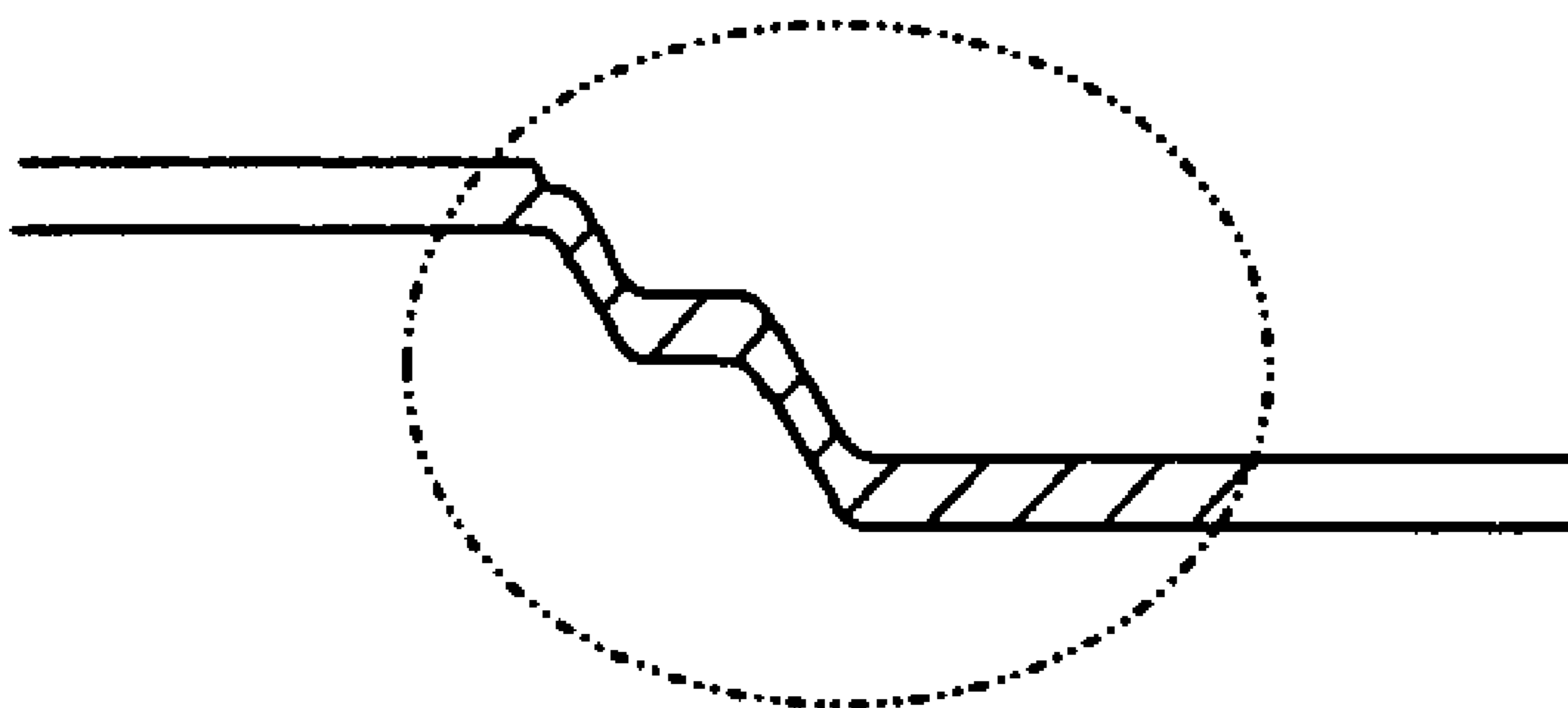
We claim the ornamental design for the flat panel door facing,  
as shown and described.

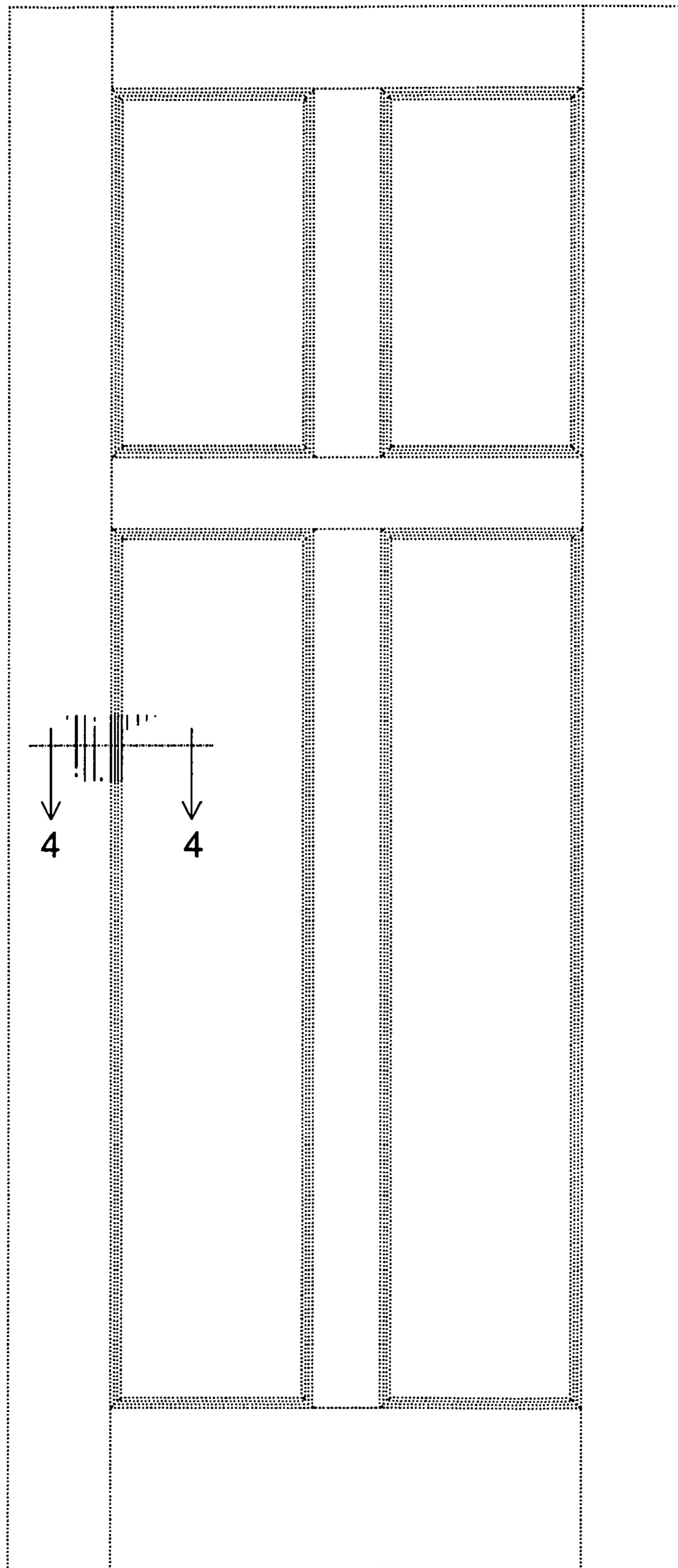
**DESCRIPTION**

FIG. 1 is a front view of a flat panel door facing;  
FIG. 2 is a front view of the flat panel door facing;  
FIG. 3 is a front view of the flat panel door facing;  
FIG. 4 is a side view of the flat panel door facing shown in  
FIGS. 1, 2 and 3; and,  
FIG. 5 is an enlarged section of the side view of the flat panel  
door facing shown in FIG. 4.

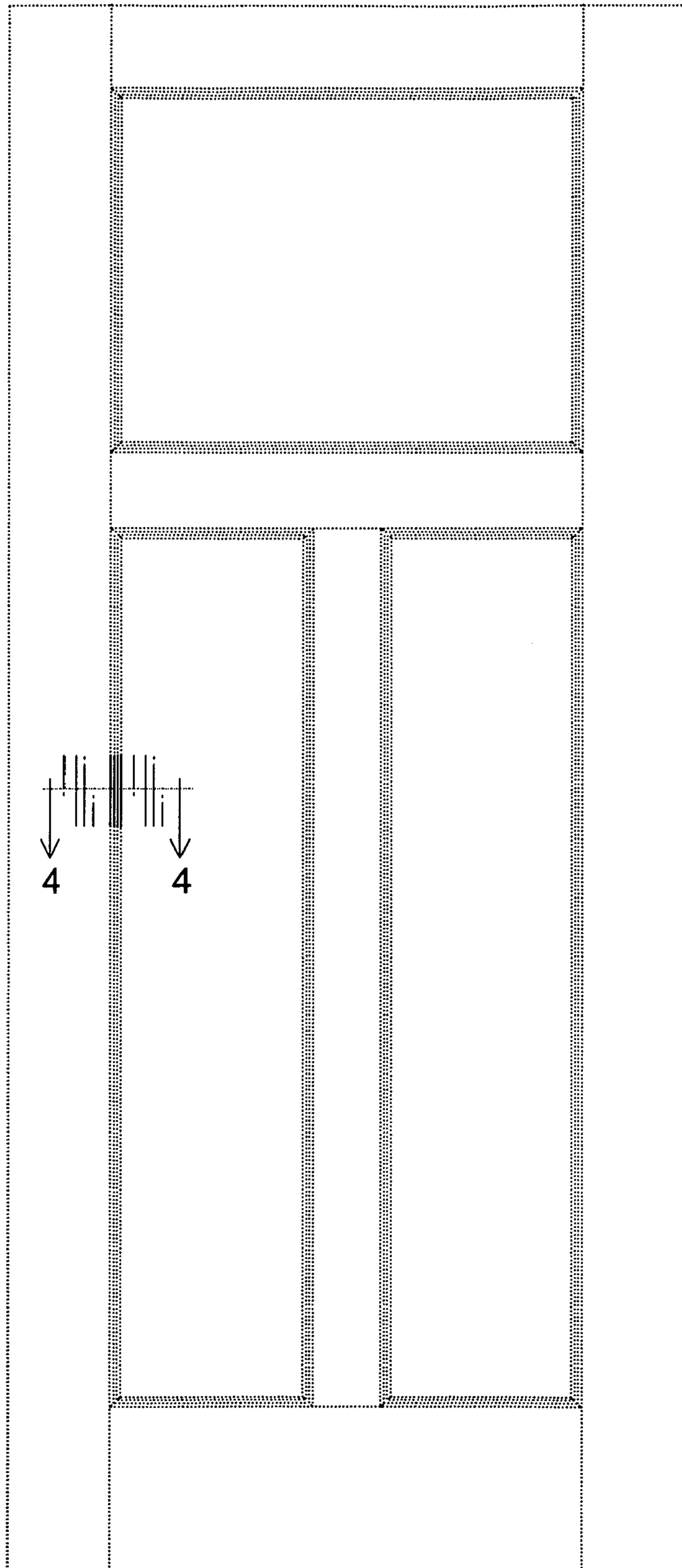
The broken lines showing doors are for illustrative purposes  
only and form no part of the claimed design.

**1 Claim, 4 Drawing Sheets**

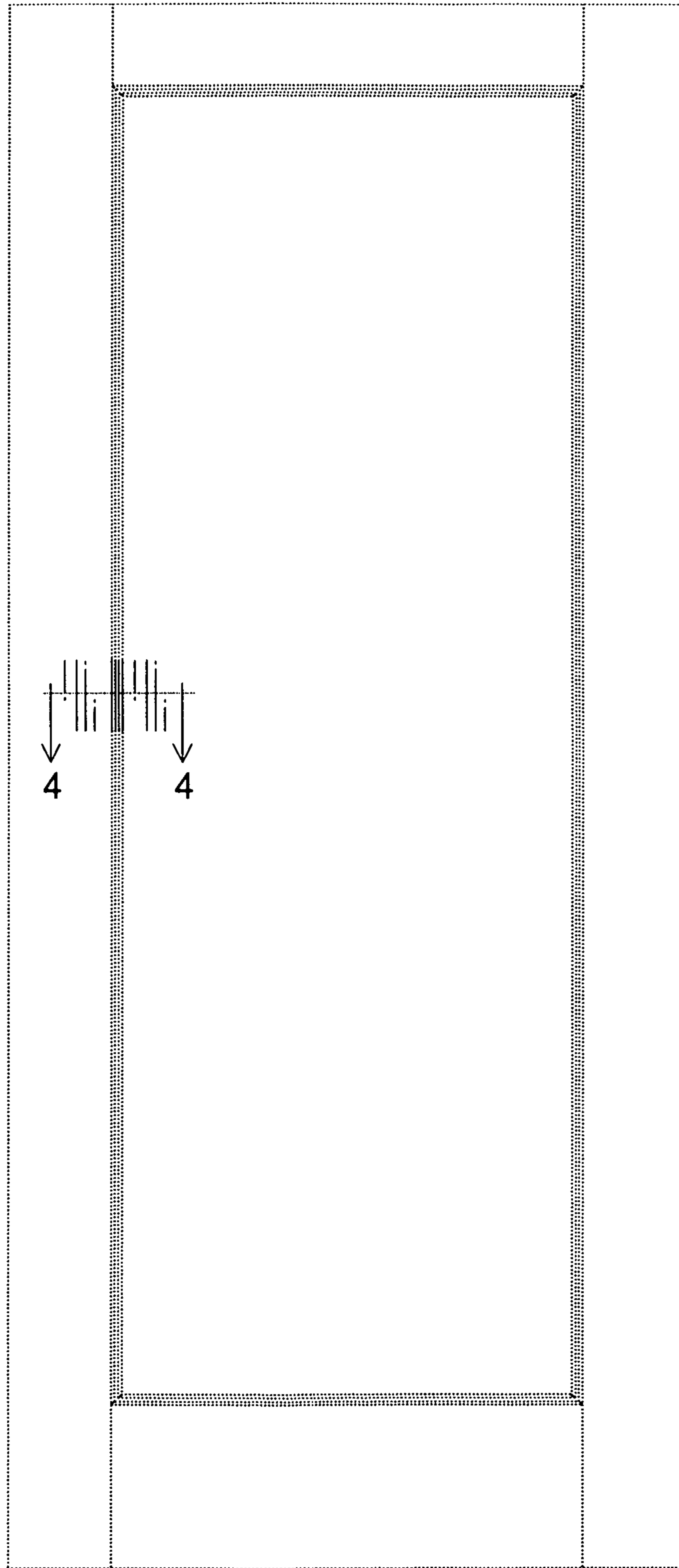




*Fig. 1*



*Fig. 2*



*Fig. 3*

