



US00D616112S

(12) **United States Design Patent**
Arnold

(10) **Patent No.:** **US D616,112 S**

(45) **Date of Patent:** **** *May 18, 2010**

(54) **MASONRY LINE BLOCK**

(76) **Inventor:** **Cloyd Arnold**, 1100 Cole St., Paragould, AR (US) 72450

(*) **Notice:** This patent is subject to a terminal disclaimer.

(**) **Term:** **14 Years**

(21) **Appl. No.:** **29/312,777**

(22) **Filed:** **Nov. 13, 2008**

(51) **LOC (9) Cl.** **25-01**

(52) **U.S. Cl.** **D25/113**

(58) **Field of Classification Search** D25/102, D25/112-118, 136, 138, 152-162, 164; D21/484-491, D21/499-502; 405/16, 17, 33, 35, 284, 286; 52/503-505, 574, 575, 596-605, 609-612; 404/29-31

See application file for complete search history.

(56) **References Cited**

U.S. PATENT DOCUMENTS

2,559,697	A	7/1951	Anders	33/86
2,585,160	A	2/1952	Munn	33/85
2,667,695	A	2/1954	Price	33/85
2,834,112	A	5/1958	Seagraves	33/85
3,436,832	A	4/1969	Jumberigan	33/86
5,479,713	A	1/1996	Wood	33/407

D426,317	S	*	6/2000	Fifield	D25/114
D444,892	S	*	7/2001	Winters	D25/113
D445,919	S	*	7/2001	Heavner	D25/113
6,412,184	B1		7/2002	Heavner	33/409
D498,543	S	*	11/2004	Schmitz et al.	D25/113
2007/0130878	A1		6/2007	Davis	52/749.13

* cited by examiner

Primary Examiner—T. Chase Nelson

Assistant Examiner—Anhdao Doan

(74) *Attorney, Agent, or Firm*—Keisling & Pieper, PLC; Meredith K. Lowry

(57) **CLAIM**

The ornamental design for a masonry line block, as shown and described.

DESCRIPTION

FIG. 1 is a top perspective view of a masonry line block showing my new design;

FIG. 2 is a bottom perspective view thereof;

FIG. 3 is a top plan view thereof;

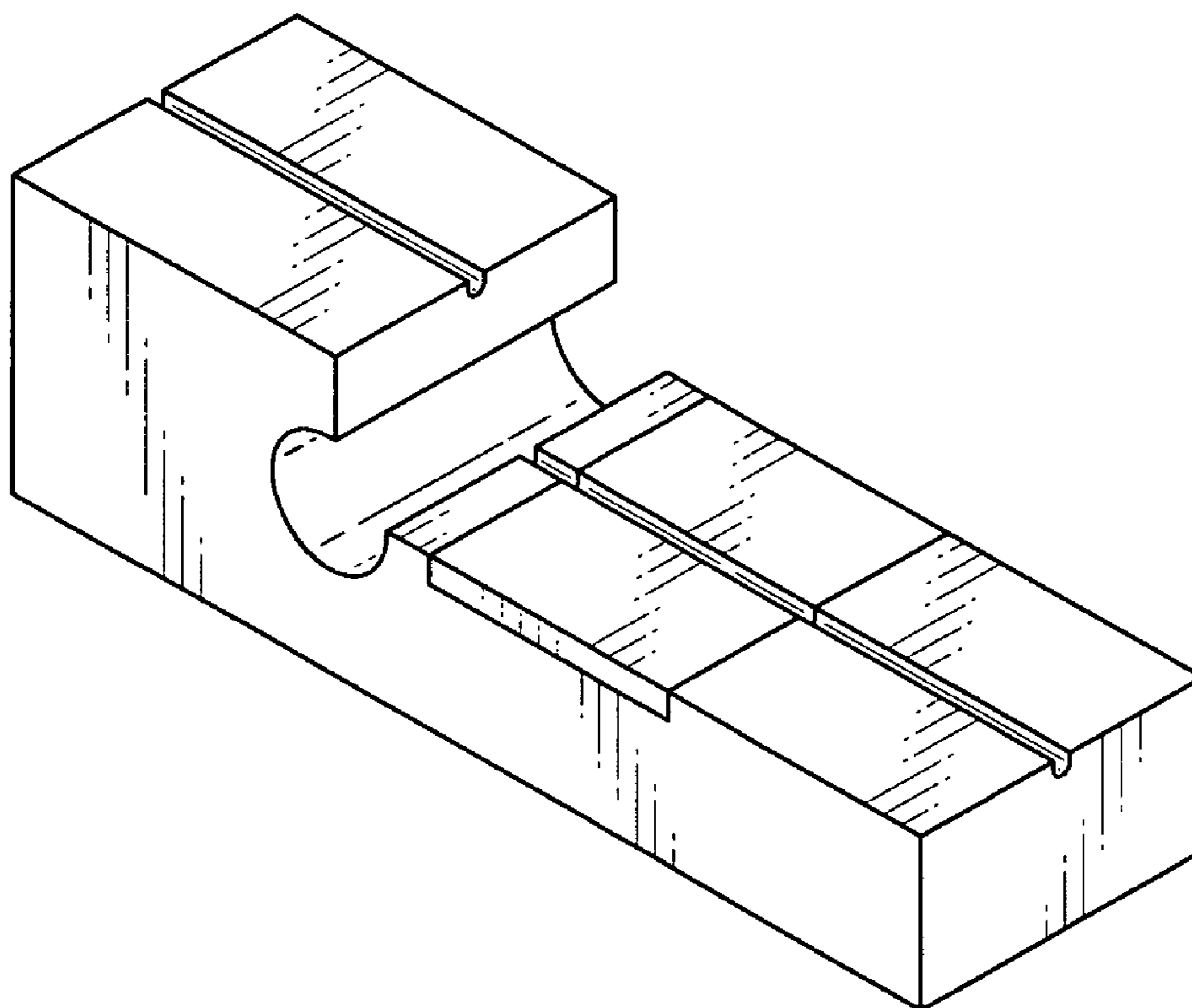
FIG. 4 is a left side elevational view thereof;

FIG. 5 is a front elevational view thereof, the back being a mirror image;

FIG. 6 is a right side elevational view thereof; and,

FIG. 7 is a bottom plan view thereof.

1 Claim, 2 Drawing Sheets



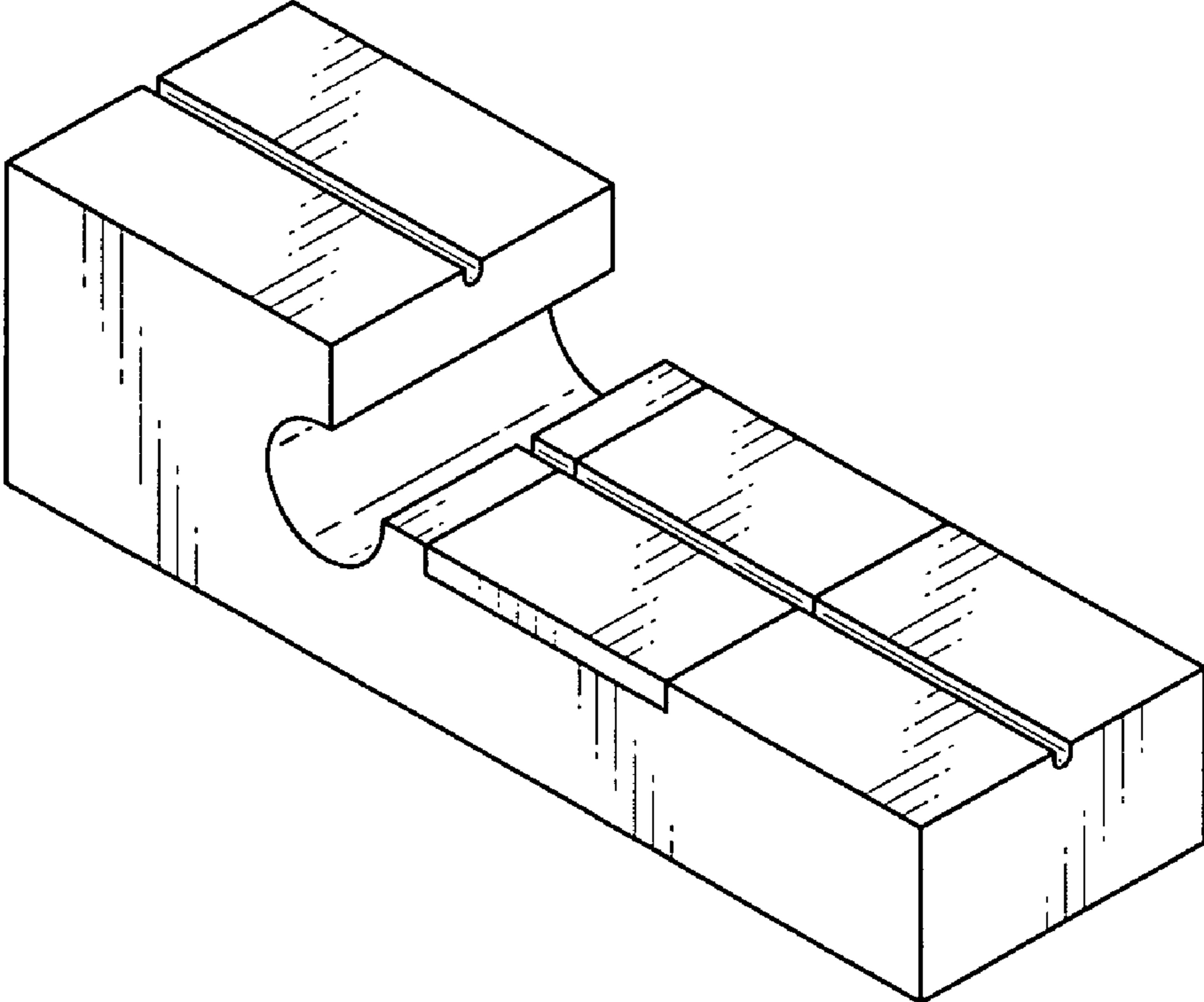


FIG. 1

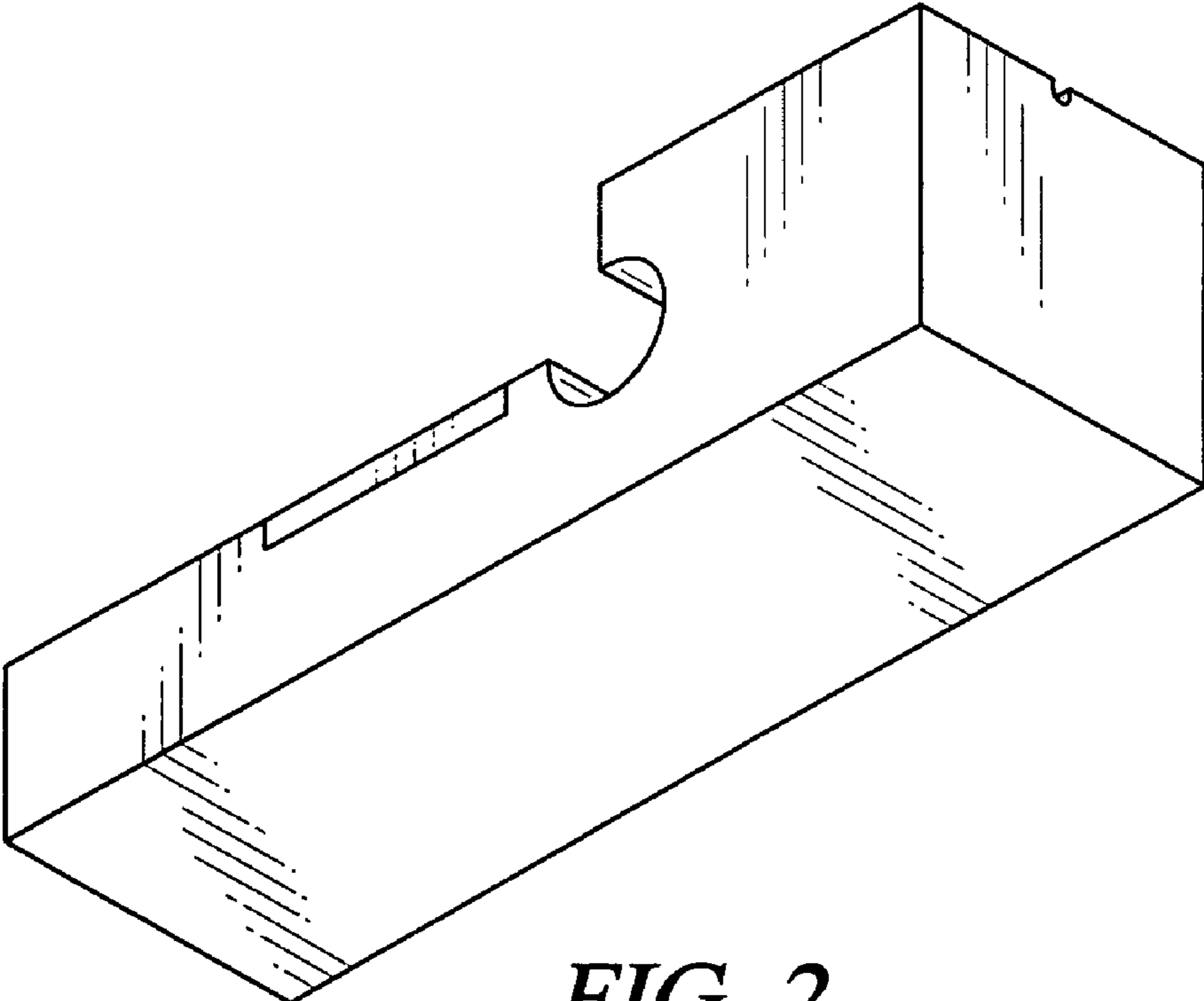


FIG. 2

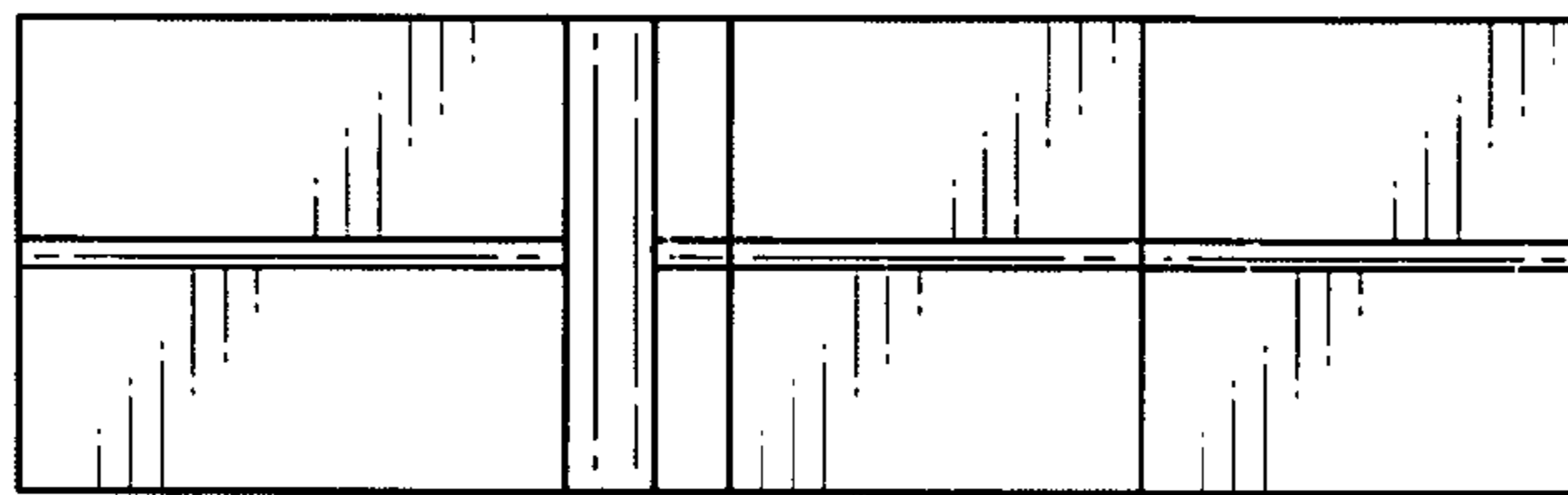


FIG. 3

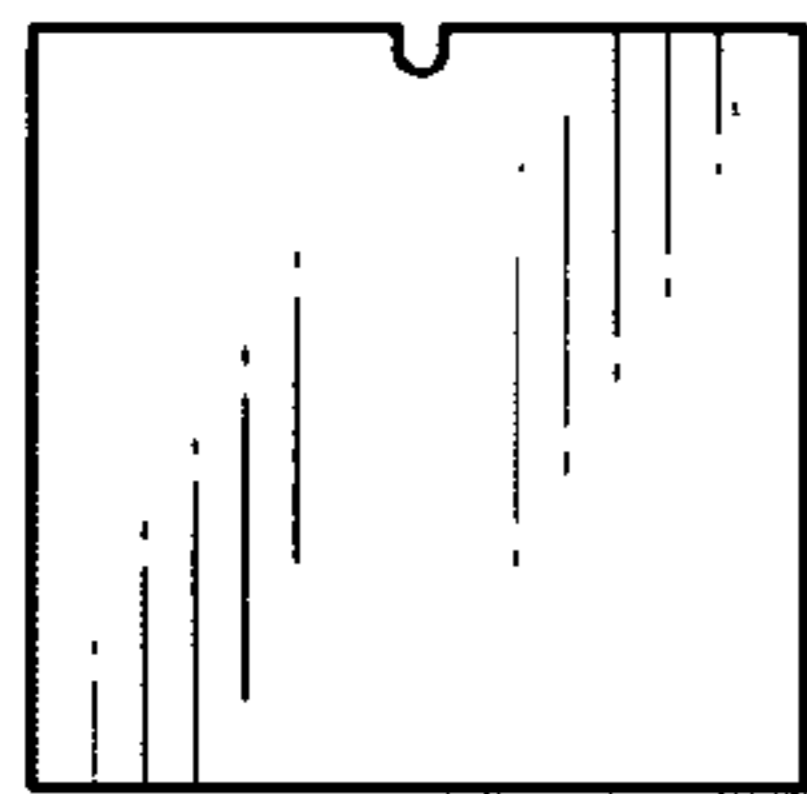


FIG. 4

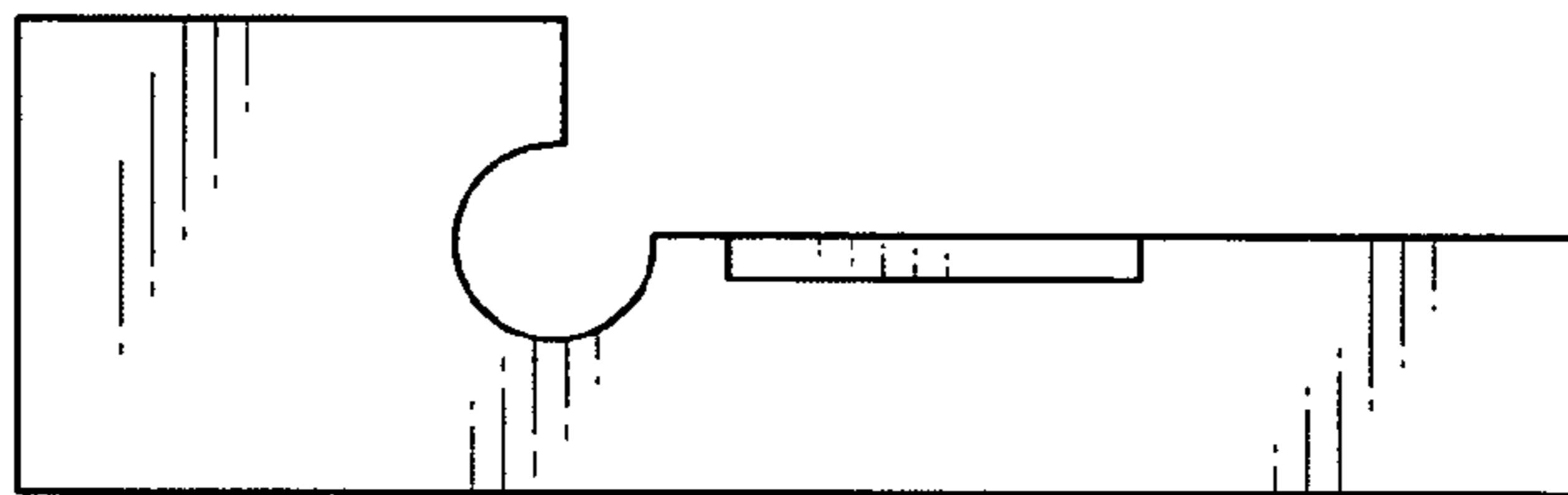


FIG. 5

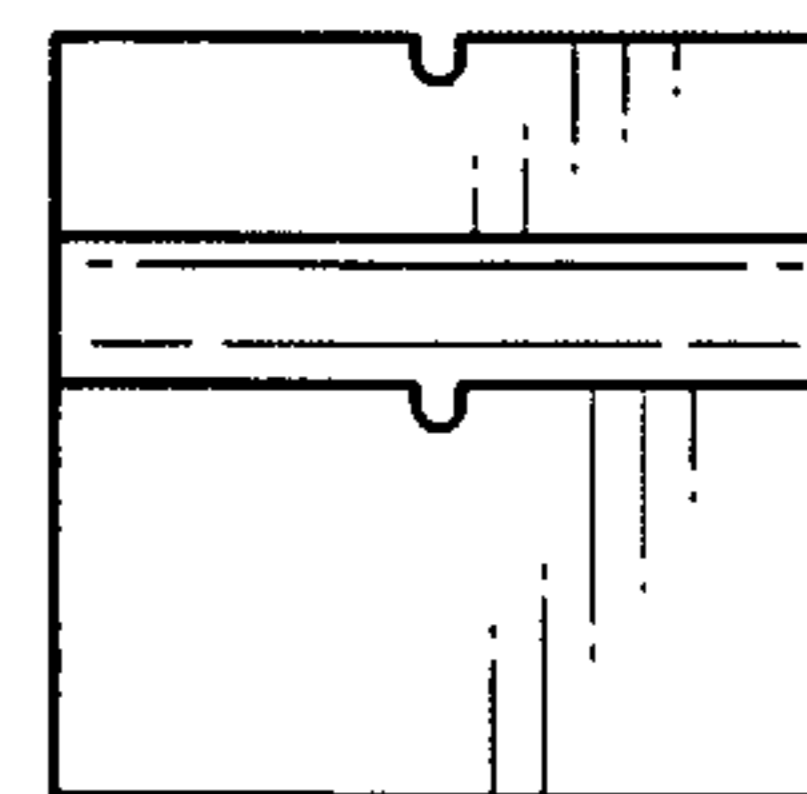


FIG. 6

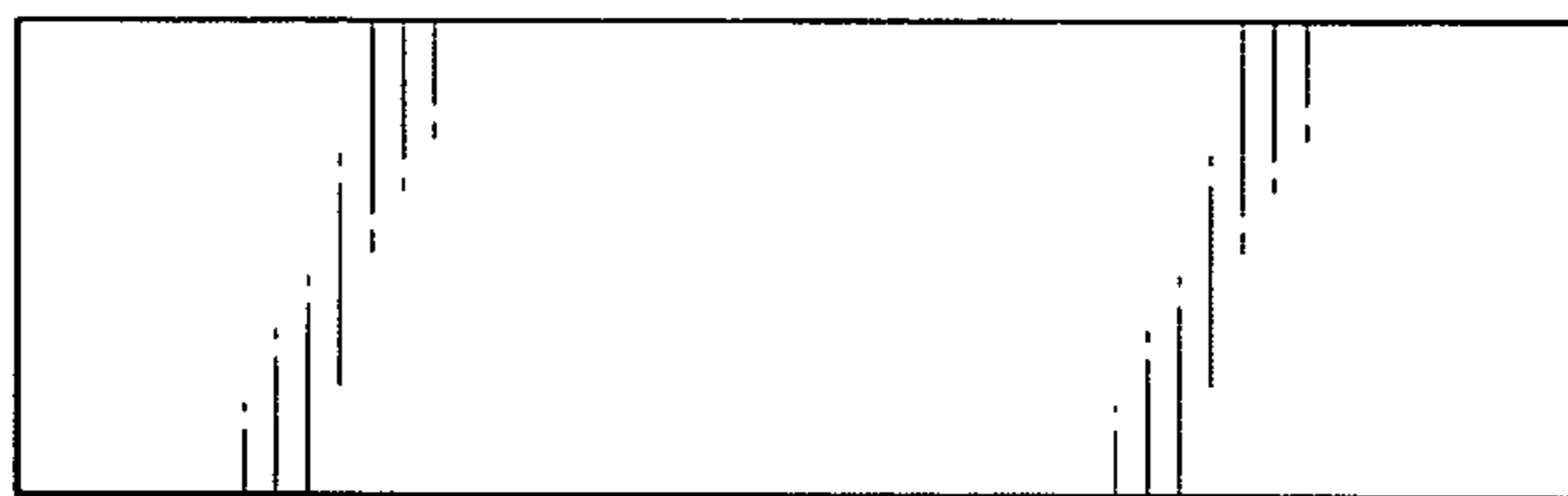


FIG. 7