



US00D616110S

(12) **United States Design Patent**
Rimsky et al.

(10) **Patent No.:** **US D616,110 S**

(45) **Date of Patent:** **** May 18, 2010**

(54) **FLASHING COMPONENT FOR A SELF-FLASHED SKYLIGHT**

(75) Inventors: **Charles Joseph Rimsky**, Greenwood, SC (US); **James Eric Brinton**, Greenwood, SC (US); **Jeffery Joseph Ronan**, Greenwood, SC (US); **Max LaForrest Sargent**, Greenwood, SC (US); **Michael James Waters**, Greenwood, SC (US); **Steve Roy Kastner**, Greenwood, SC (US)

(73) Assignee: **VKR Holding, A/S**, Hoersholm (DK)

(**) Term: **14 Years**

(21) Appl. No.: **29/338,878**

(22) Filed: **Jun. 19, 2009**

(51) **LOC (9) Cl.** **25-02**

(52) **U.S. Cl.** **D25/60**

(58) **Field of Classification Search** D25/52,
D25/60, 199; 52/200, DIG. 17, 173.3, 58;
428/34

See application file for complete search history.

(56) **References Cited**

U.S. PATENT DOCUMENTS

- 4,972,638 A * 11/1990 Minter 52/200
- D385,363 S * 10/1997 Sølbeck D25/60
- 6,848,220 B2 * 2/2005 Faurholdt et al. 52/58
- 2005/0086878 A1 * 4/2005 Feucht et al. 52/200

2005/0178078 A1 * 8/2005 Valentz et al. 52/200

* cited by examiner

Primary Examiner—Doris Clark

(74) *Attorney, Agent, or Firm*—Turner Padgett Graham & Laney, P.A.

(57) **CLAIM**

We claim the ornamental design for a flashing component for a self-flashed skylight, as shown and described.

DESCRIPTION

FIG. 1 is a perspective view of the flashing component for a self-flashed skylight of the present disclosure;

FIG. 2 is a bottom plan view thereof;

FIG. 3 is a cross-sectional view taken along line 3—3 of FIG. 1;

FIG. 4 is a perspective view of a frame element of the flashing component for a self-flashed skylight taken from the right side in FIG. 3;

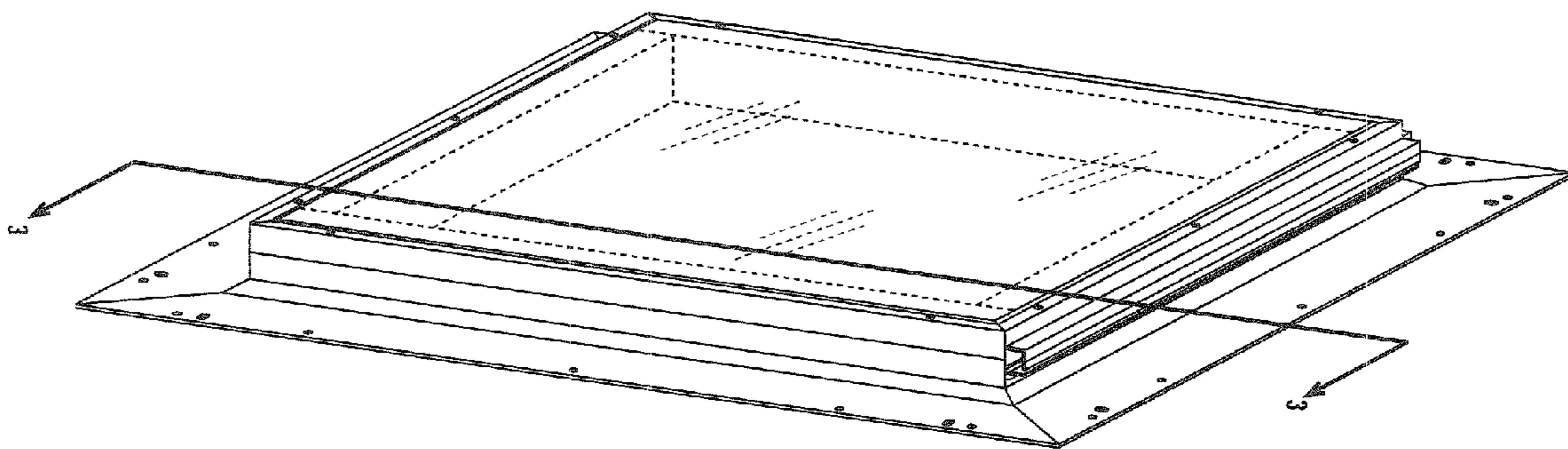
FIG. 5 is an enlarged elevation view of the right side in FIG. 3;

FIG. 6 is a perspective view of a frame element of the flashing component for a self-flashed skylight taken from the left side in FIG. 3; and,

FIG. 7 is an enlarged elevation view of the left side in FIG. 3.

The ornamental design that is claimed is shown in solid lines in the drawings. The portions of the design shown in broken lines do not constitute part of the claimed design and are, therefore, disclaimed.

1 Claim, 5 Drawing Sheets



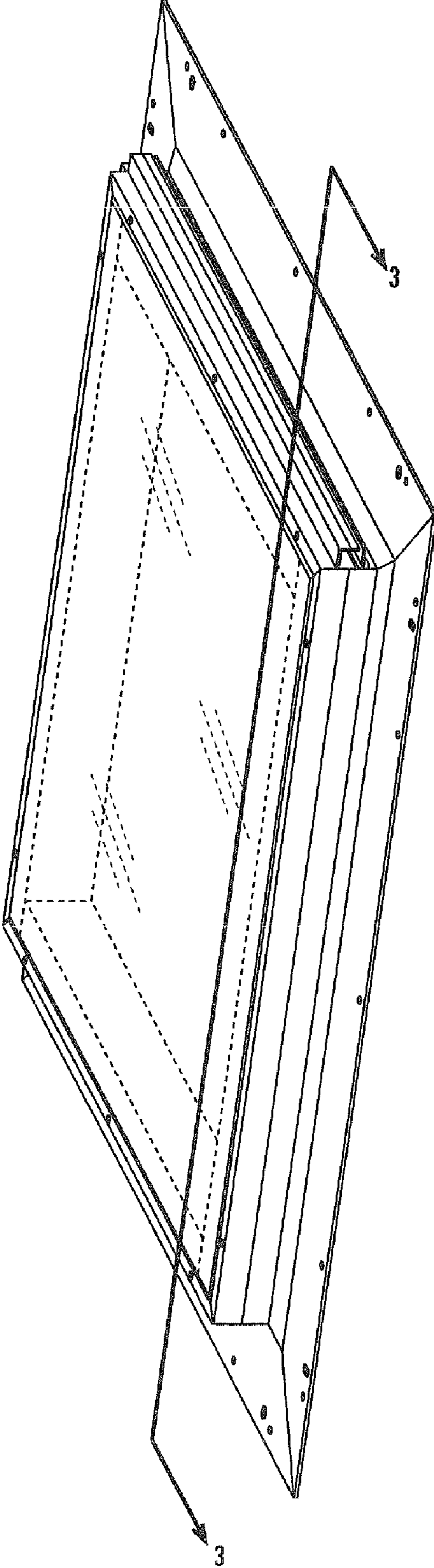


Fig. 1

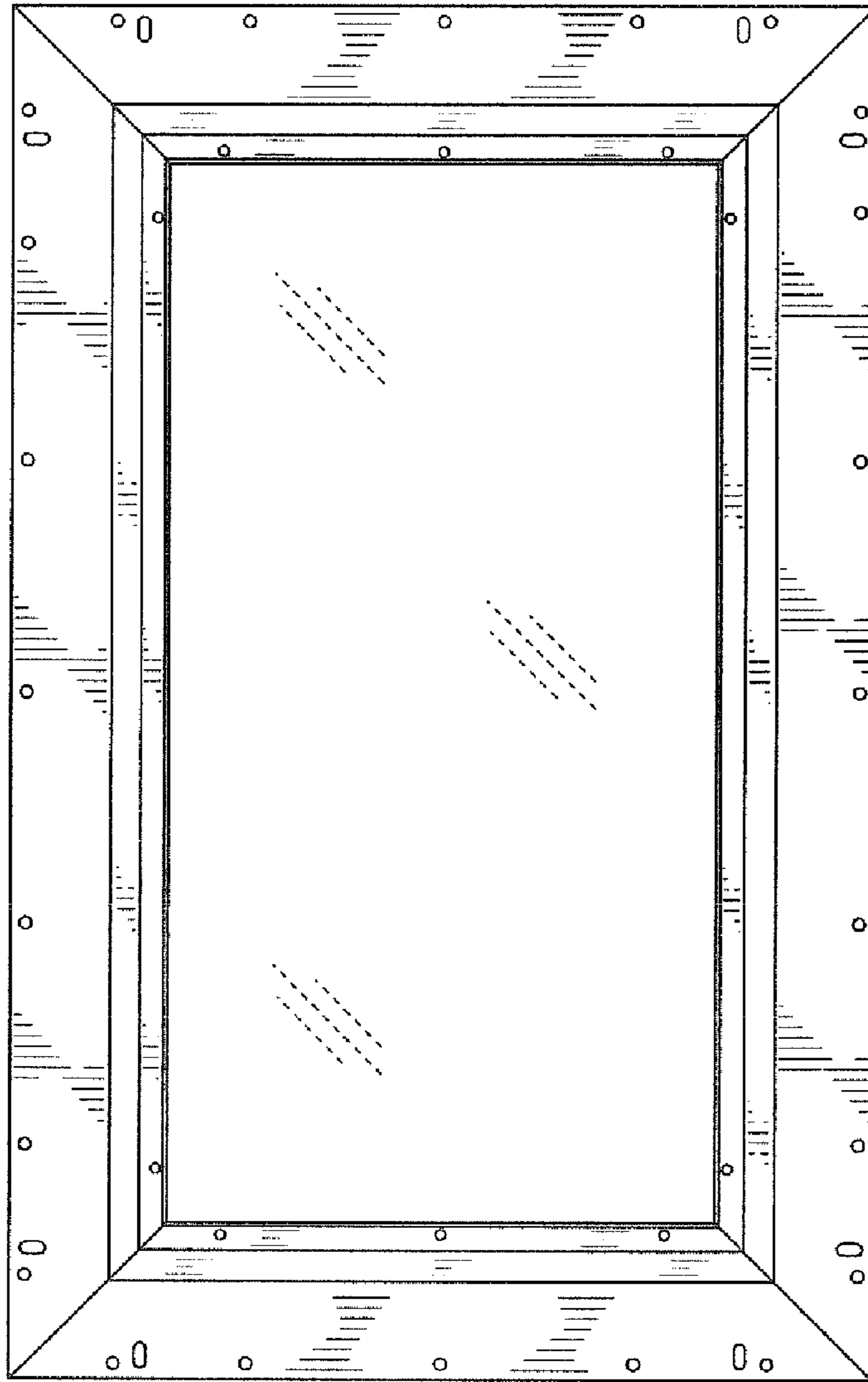


Fig. 2

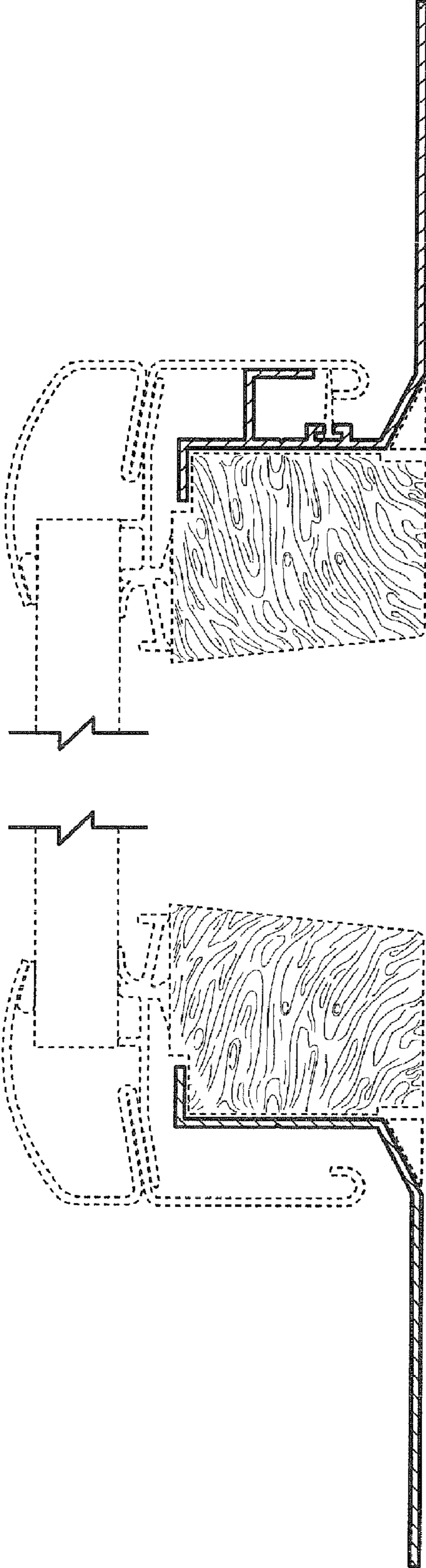


Fig. 3

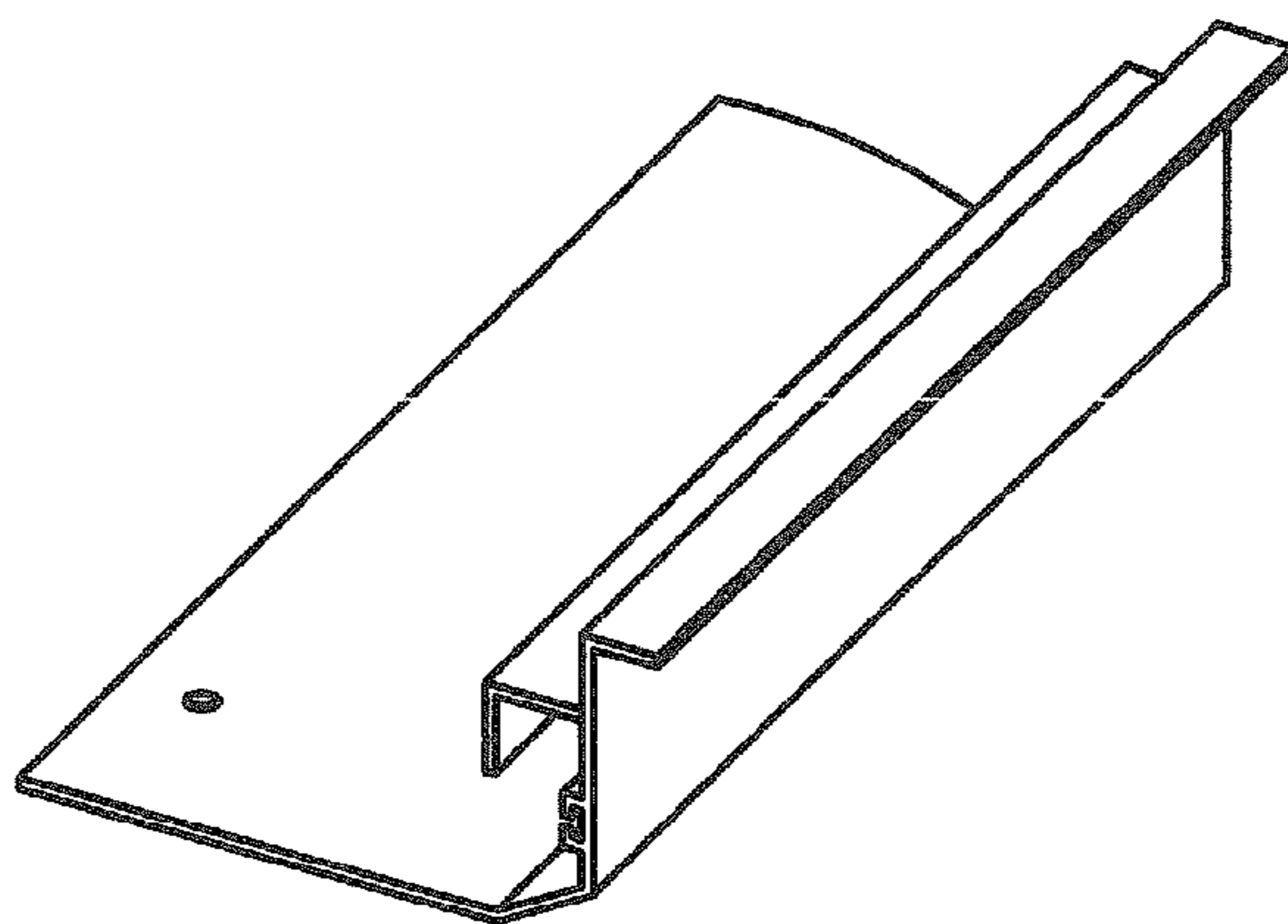


Fig. 4

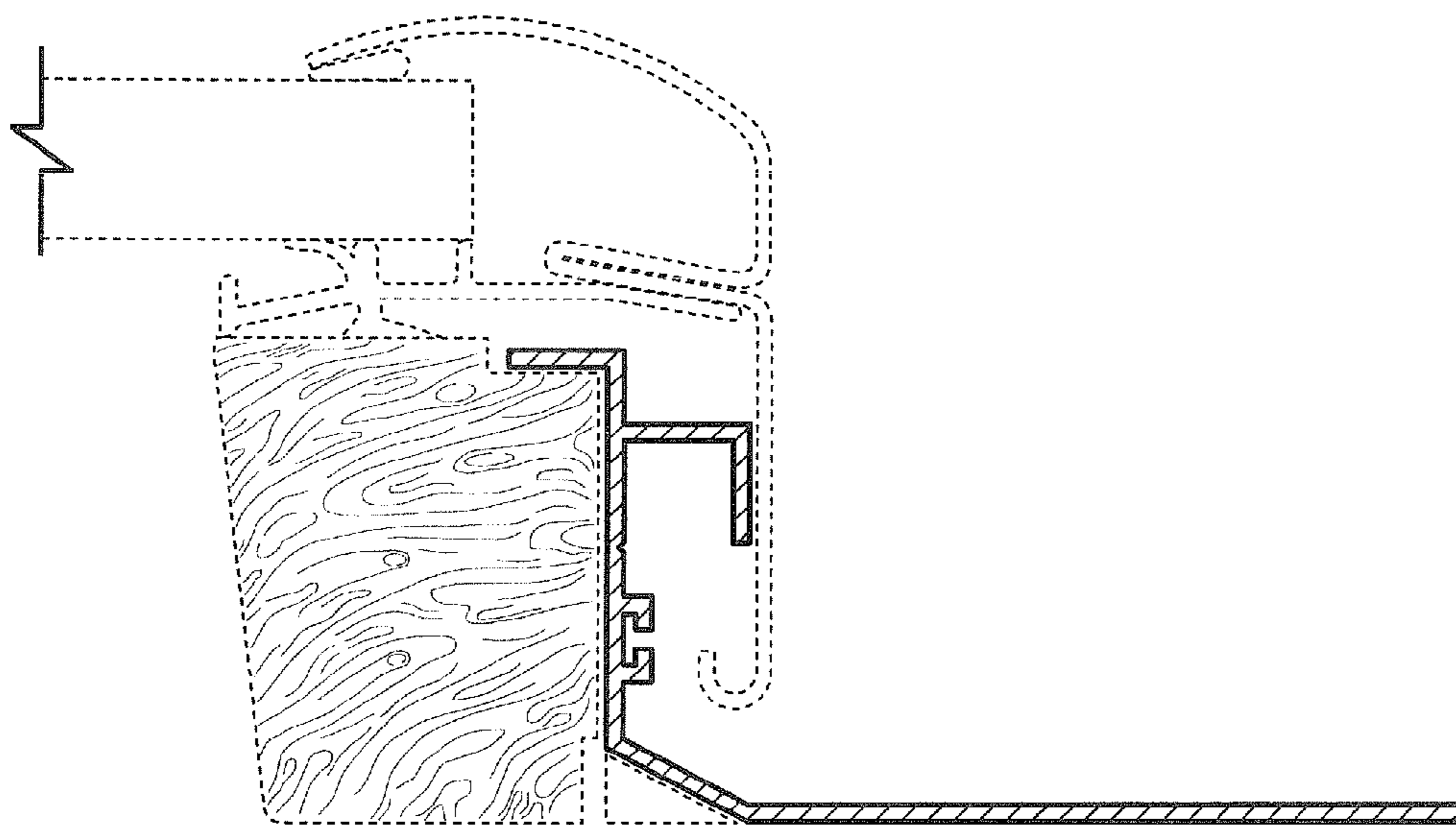


Fig. 5

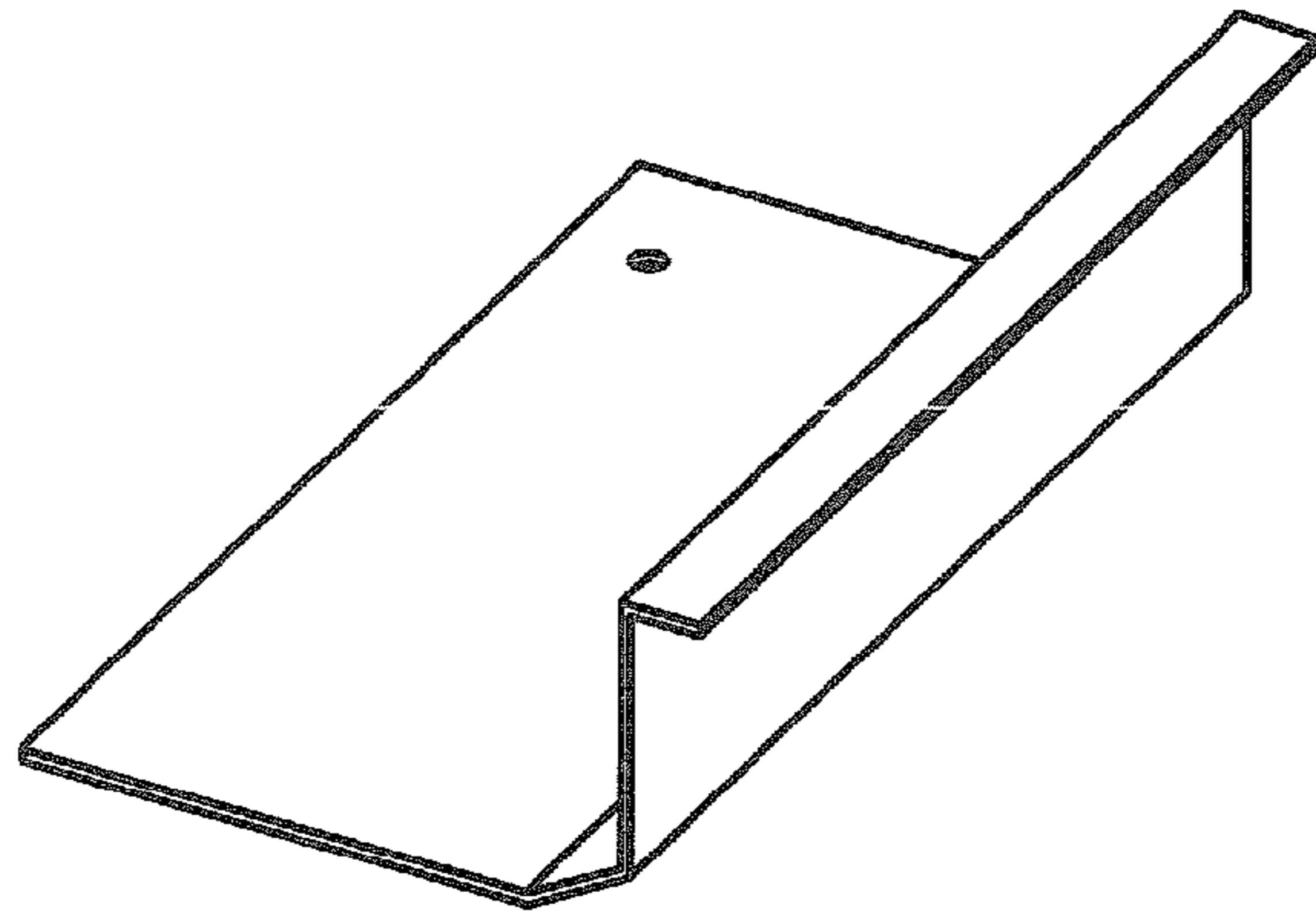


Fig. 6

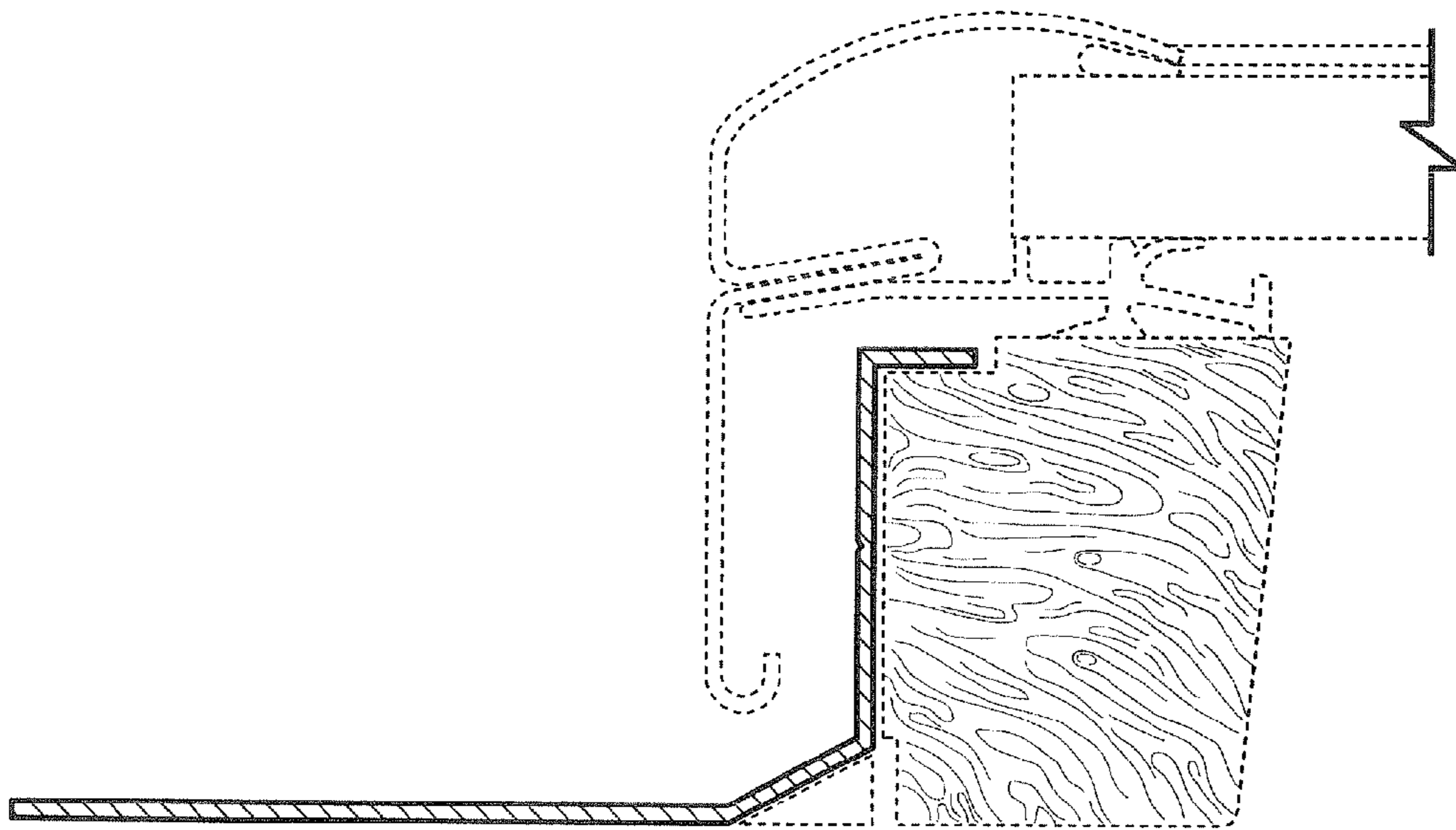


Fig. 7