



US00D616102S

(12) **United States Design Patent**  
**Musgrave**

(10) **Patent No.:** **US D616,102 S**

(45) **Date of Patent:** **\*\* May 18, 2010**

(54) **DENTAL APPLIANCE HOLDER**

D557,344 S \* 12/2007 Johnson ..... D20/41  
D574,433 S \* 8/2008 Poma ..... D19/83

(76) Inventor: **Edward Musgrave**, 2854 Millbridge Pl.,  
San Ramon, CA (US) 94583

\* cited by examiner

(\*\*) Term: **14 Years**

*Primary Examiner*—Charles A Rademaker  
(74) *Attorney, Agent, or Firm*—Randick O’Dea & Tooliatos,  
LLP; John Nielsen

(21) Appl. No.: **29/340,047**

(22) Filed: **Jul. 13, 2009**

(57) **CLAIM**

(51) **LOC (9) Cl.** ..... **24-03**

The ornamental design for a dental appliance holder, as  
shown and described.

(52) **U.S. Cl.** ..... **D24/177; D24/185**

(58) **Field of Classification Search** ..... D24/155,  
D24/156, 180, 176, 177, 216, 221, 185; 433/173,  
433/176, 125, 126; 606/304, 74, 72; D6/514,  
D6/512, 527, 572; D19/83; D20/21, 40,  
D20/41

**DESCRIPTION**

See application file for complete search history.

FIG. 1 is a perspective view of a dental appliance holder  
showing my new design;

FIG. 2 is a front elevation thereof;

FIG. 3 is a left side elevation thereof;

FIG. 4 is a rear elevation thereof;

FIG. 5 is a right side elevation thereof;

FIG. 6 is a top pan view thereof; and,

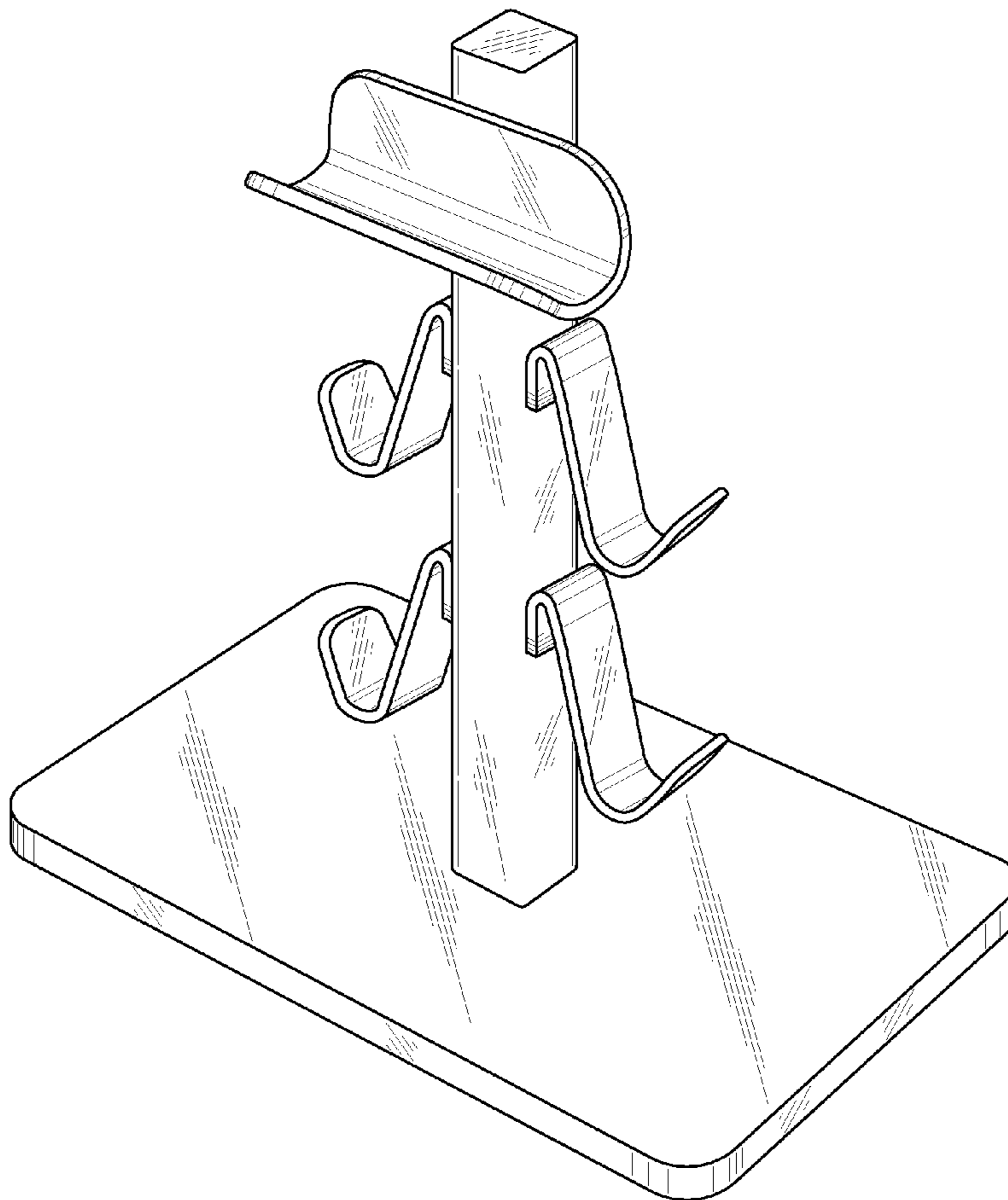
FIG. 7 is a bottom plan view thereof.

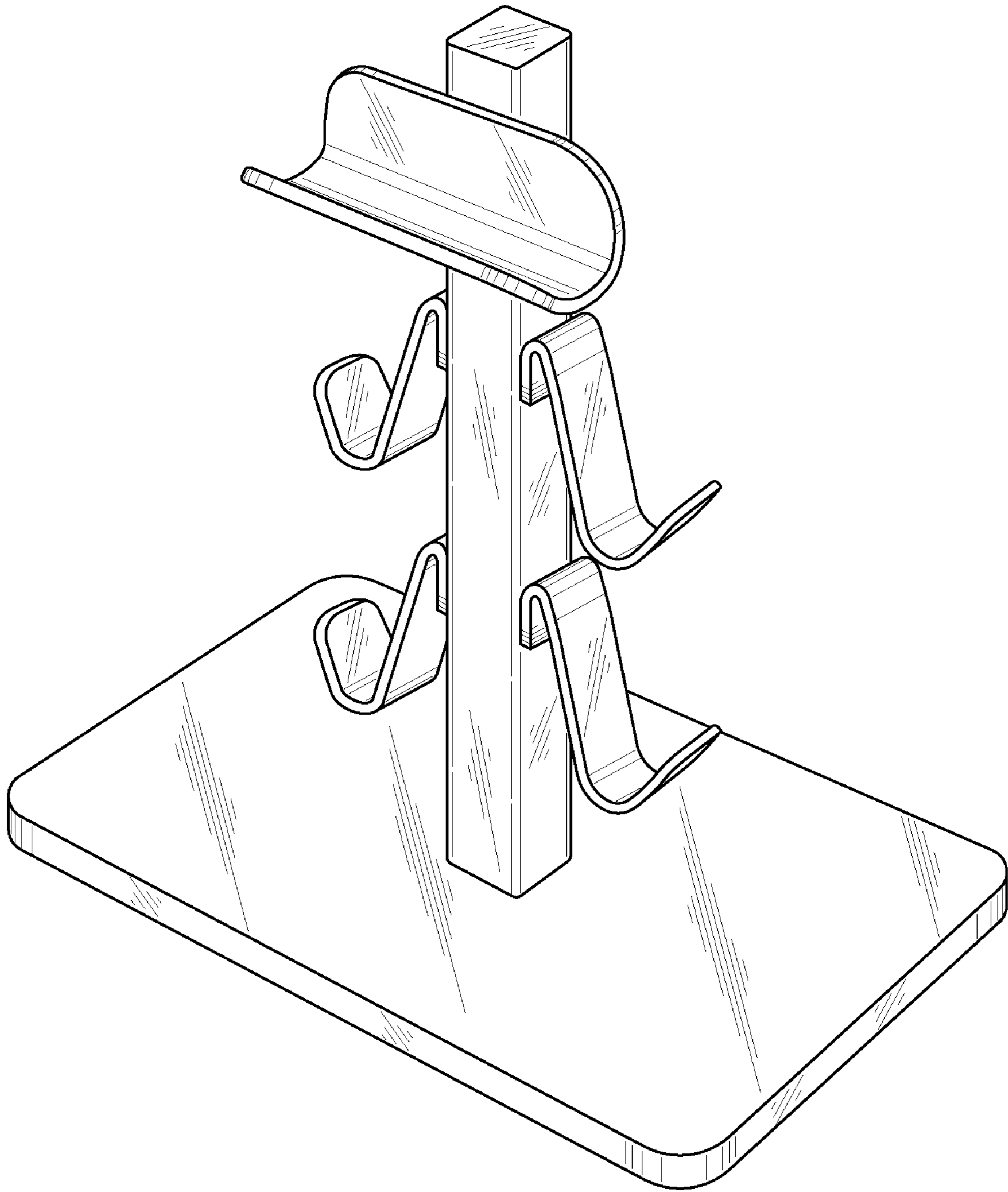
(56) **References Cited**

**U.S. PATENT DOCUMENTS**

D56,476 S \* 10/1920 Reynolds ..... D6/514  
D180,106 S \* 4/1957 Seifert ..... D6/468  
D533,743 S \* 12/2006 Eastman ..... D6/552  
D535,512 S \* 1/2007 Eastman ..... D6/552  
D547,098 S \* 7/2007 Goodman et al. .... D6/514

**1 Claim, 4 Drawing Sheets**





*FIG. 1*

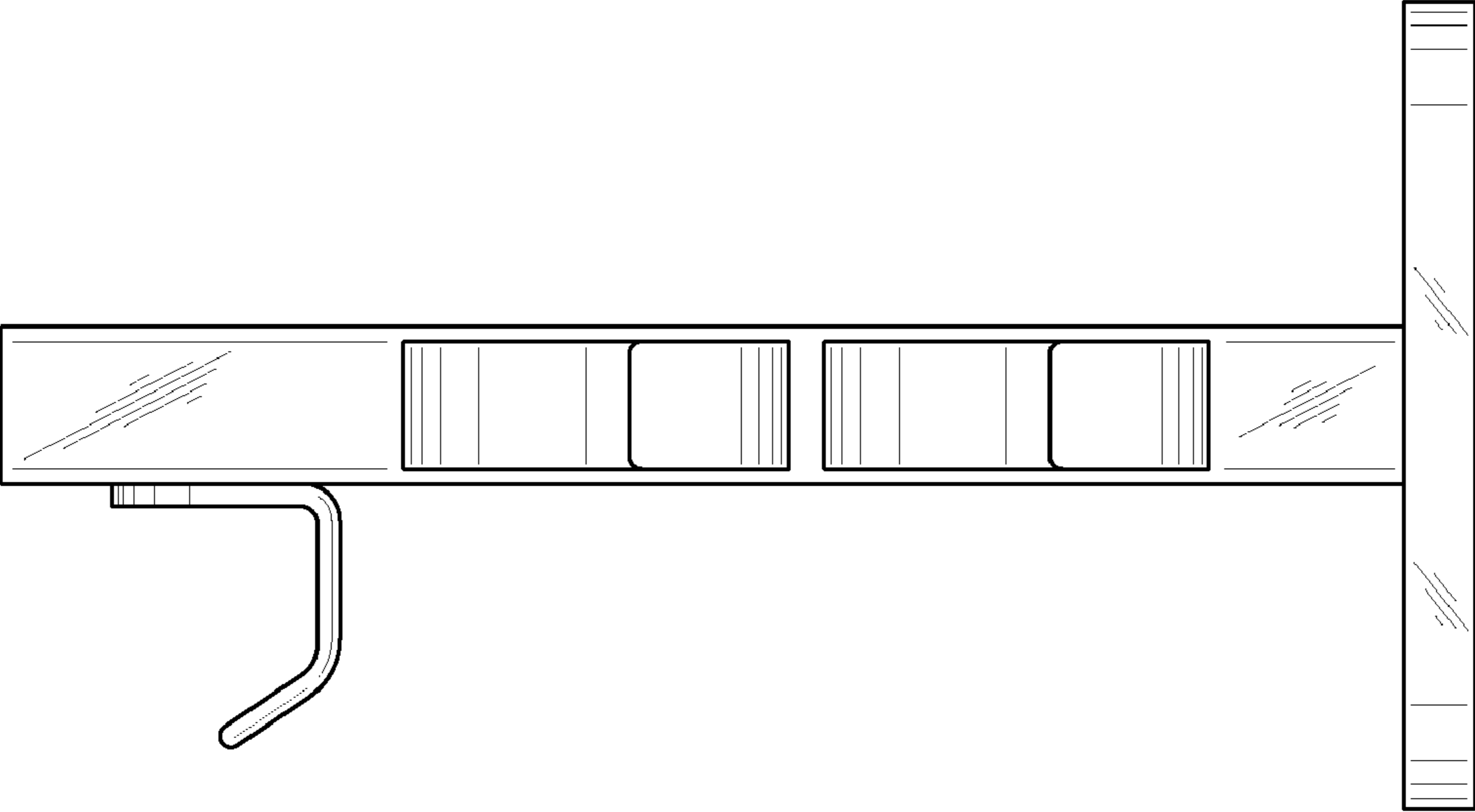


FIG. 3

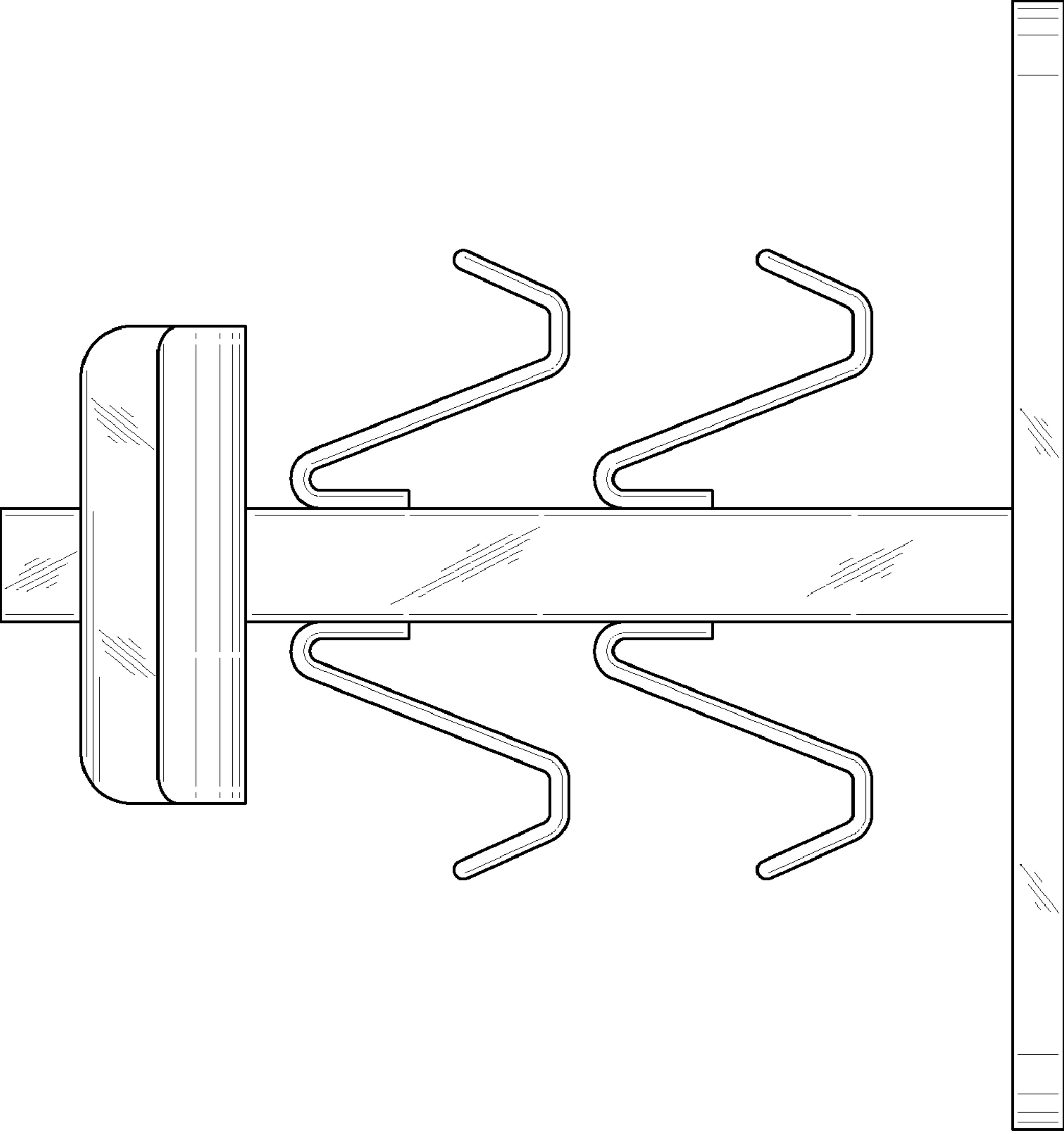


FIG. 2

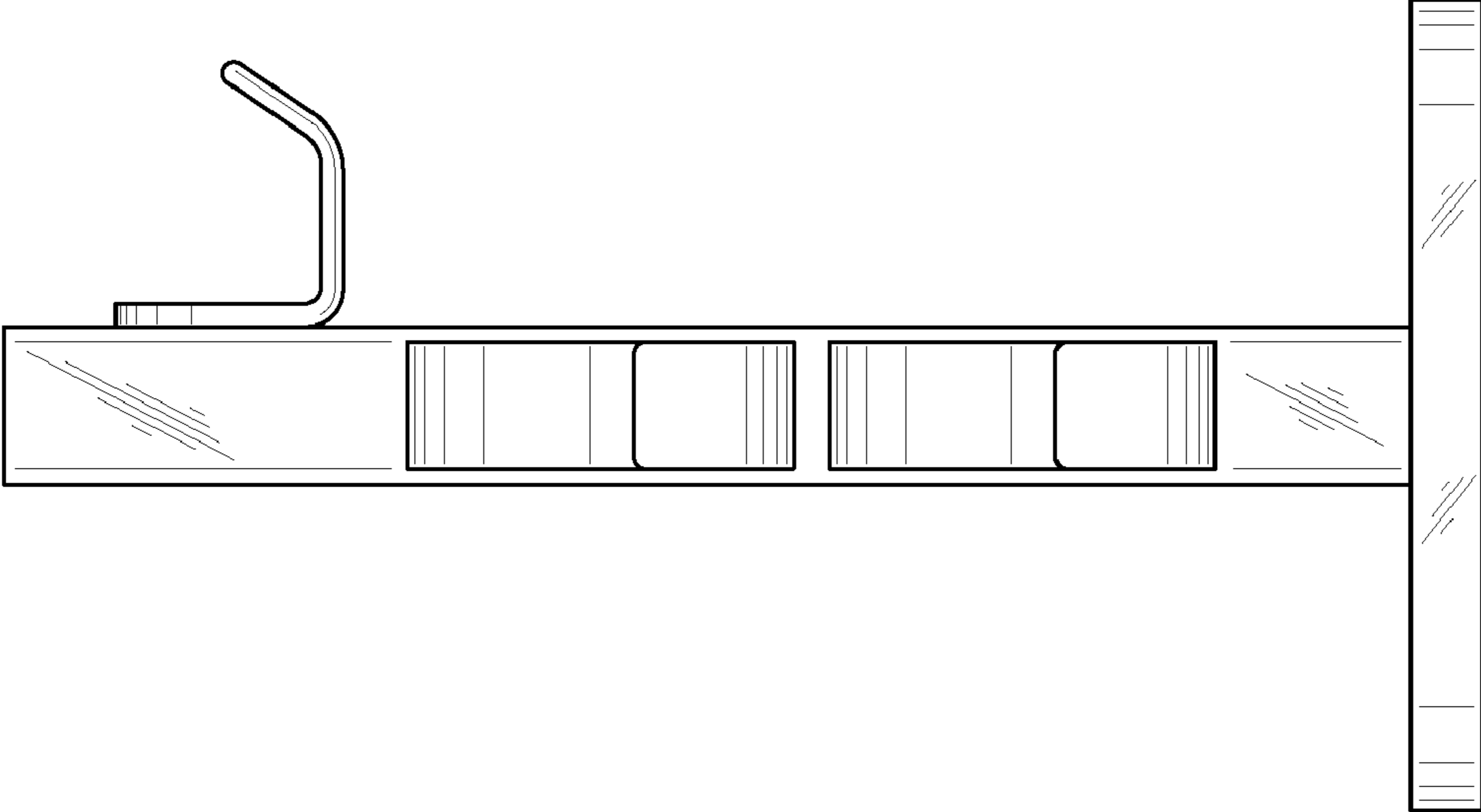


FIG. 5

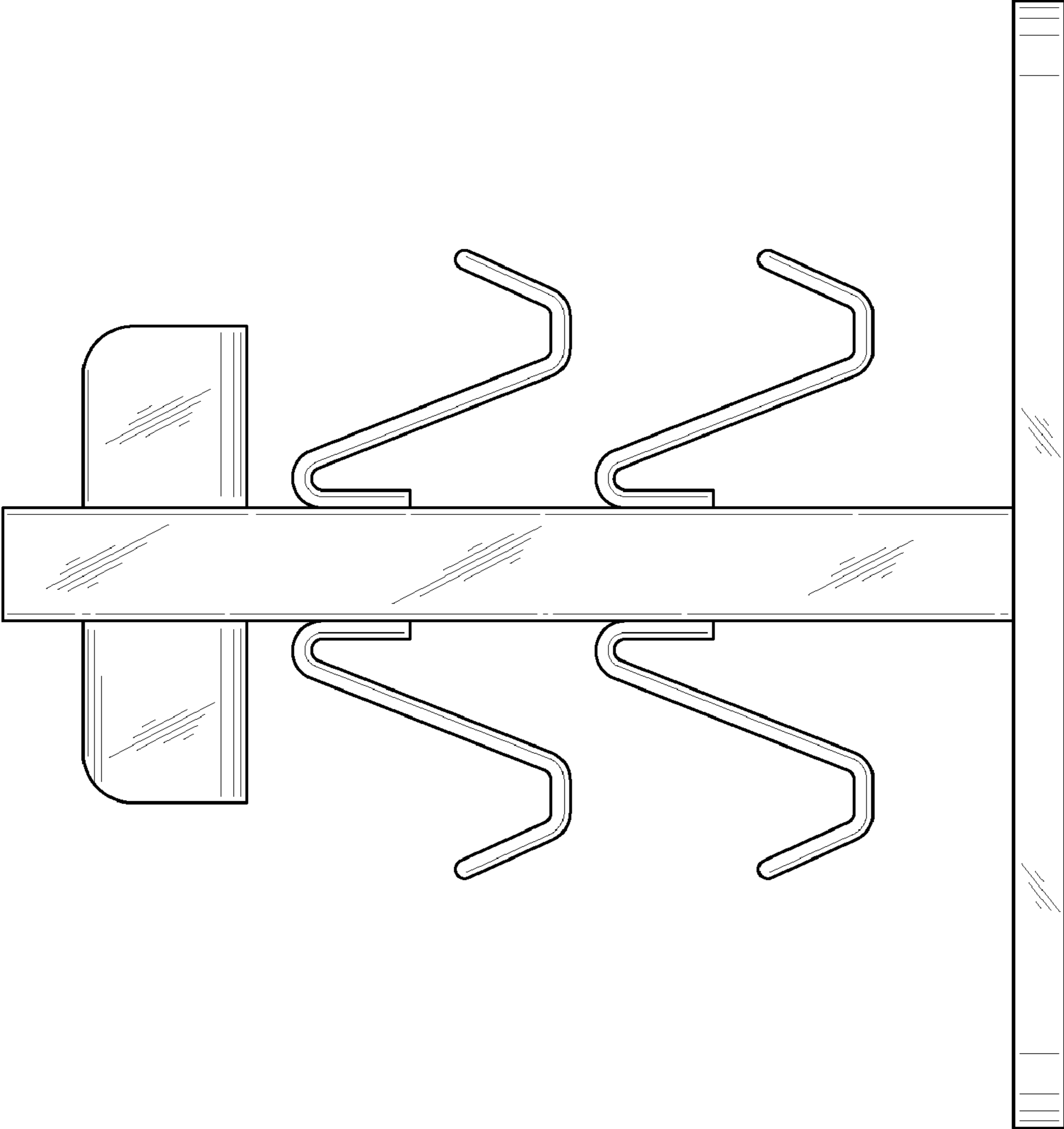
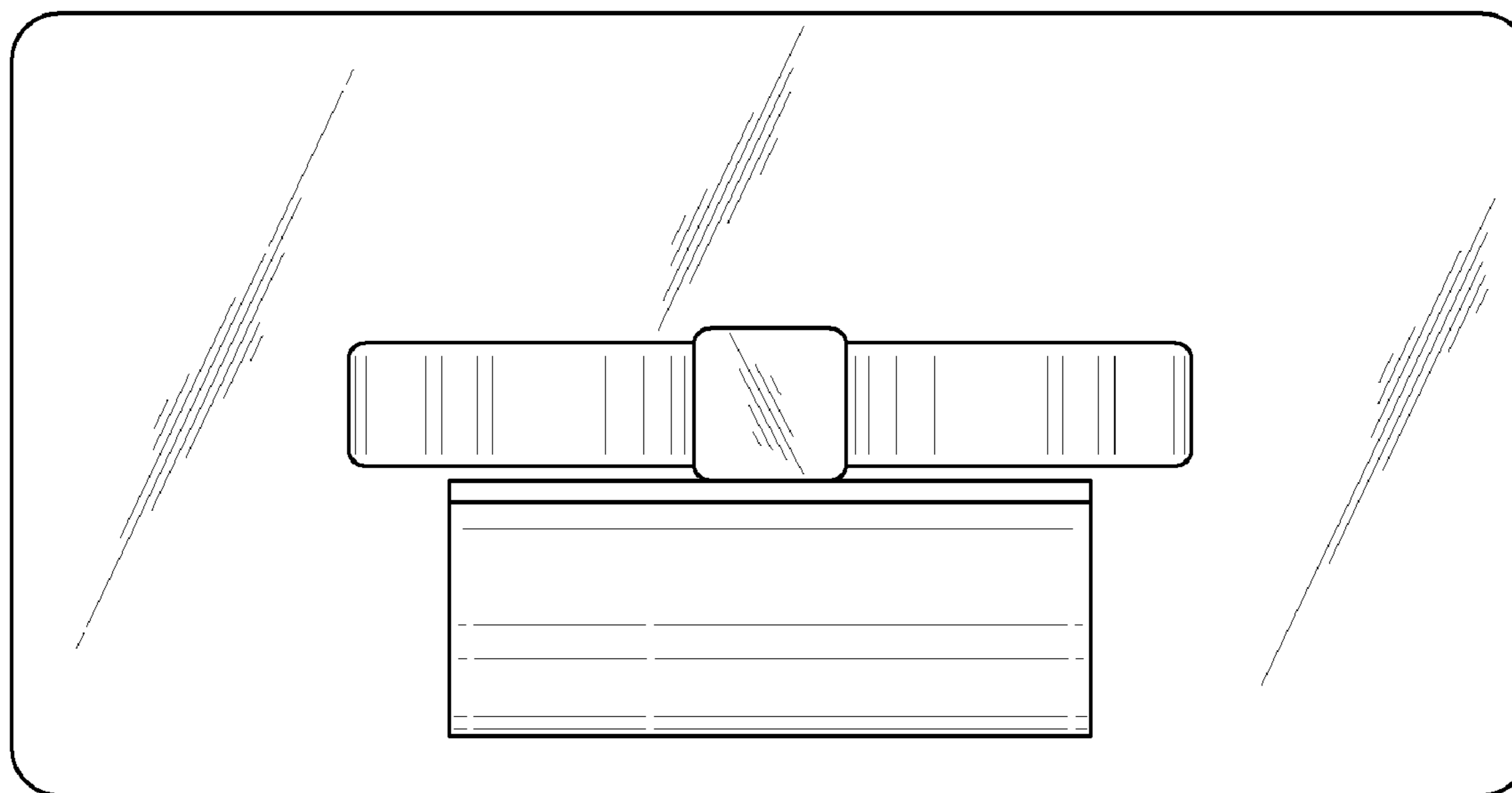
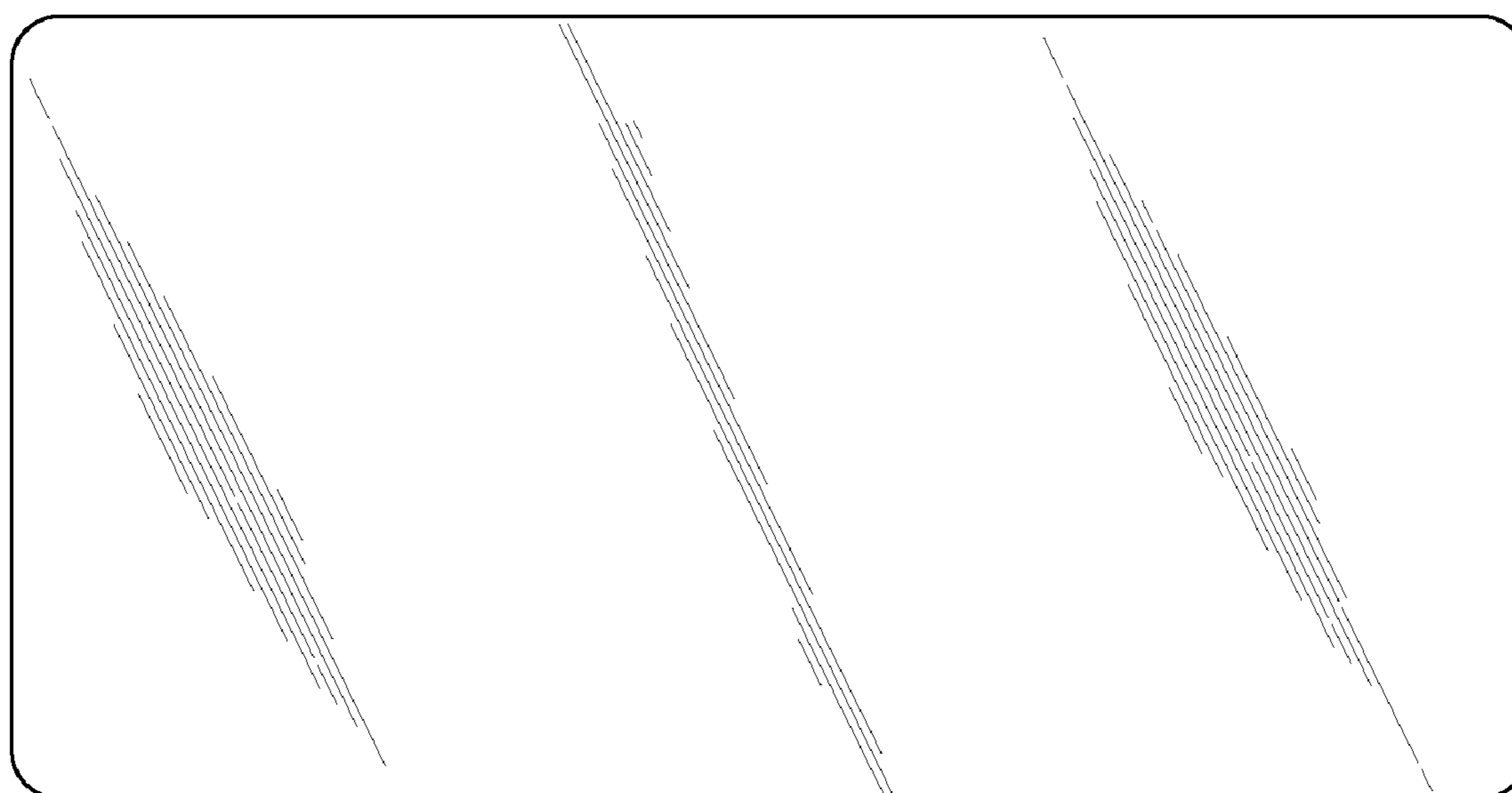


FIG. 4



*FIG. 6*



*FIG. 7*