



US00D616101S

(12) **United States Design Patent**
Chronister et al.

(10) **Patent No.:** **US D616,101 S**
(45) **Date of Patent:** **** May 18, 2010**

(54) **DENTAL DEVICE CONNECTION ADAPTER**

(75) Inventors: **Benjamin Chronister**, York, PA (US);
Jeremy Kile, York, PA (US)

(73) Assignee: **Dentsply International Inc.**, York, PA
(US)

(**) Term: **14 Years**

(21) Appl. No.: **29/344,725**

(22) Filed: **Oct. 2, 2009**

Related U.S. Application Data

(63) Continuation of application No. 12/004,145, filed on
Dec. 20, 2007.

(51) **LOC (9) Cl.** **24-03**

(52) **U.S. Cl.** **D24/176**

(58) **Field of Classification Search** D24/155,
D24/156, 180, 176; 433/173, 176, 125, 126;
606/304, 74, 72

See application file for complete search history.

(56) **References Cited**

U.S. PATENT DOCUMENTS

4,109,385 A * 8/1978 Zahn et al. 433/125
D317,200 S * 5/1991 Jorneus D24/156
5,336,089 A * 8/1994 Sakurai D24/176

D373,979 S * 9/1996 Starr et al. D12/98
5,749,728 A * 5/1998 Bailey 433/125
6,068,479 A * 5/2000 Kwan 433/173
6,527,552 B2 * 3/2003 Loddeke et al. 433/125
D530,013 S * 10/2006 Fischer et al. D24/176
D587,371 S * 2/2009 Purga et al. D24/156
D587,373 S * 2/2009 Purga et al. D24/156
7,510,396 B2 * 3/2009 Lee et al. 433/125

* cited by examiner

Primary Examiner—Charles A Rademaker

(74) *Attorney, Agent, or Firm*—Douglas J. Hura; David A.
Zdurne; Leana Levin

(57) **CLAIM**

The ornamental design for a dental device connection
adapter, as shown and described is claimed.

DESCRIPTION

FIG. 1 is an isometric view of a dental device connection
adapter showing our new design;

FIG. 2 is a top view thereof;

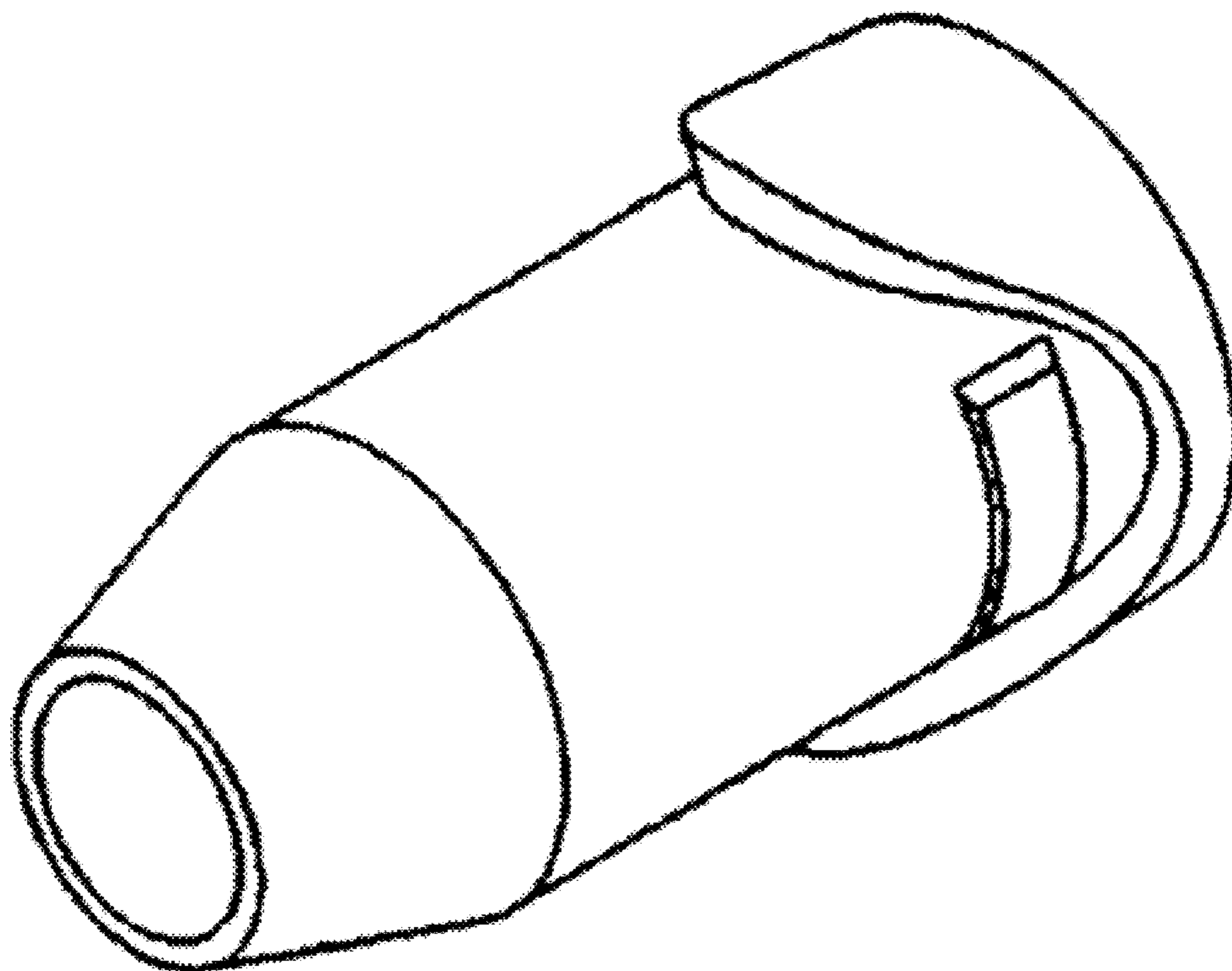
FIG. 3 is a first side view thereof;

FIG. 4 is a second side view thereof;

FIG. 5 is a front view thereof; and,

FIG. 6 is a rear view thereof.

1 Claim, 2 Drawing Sheets



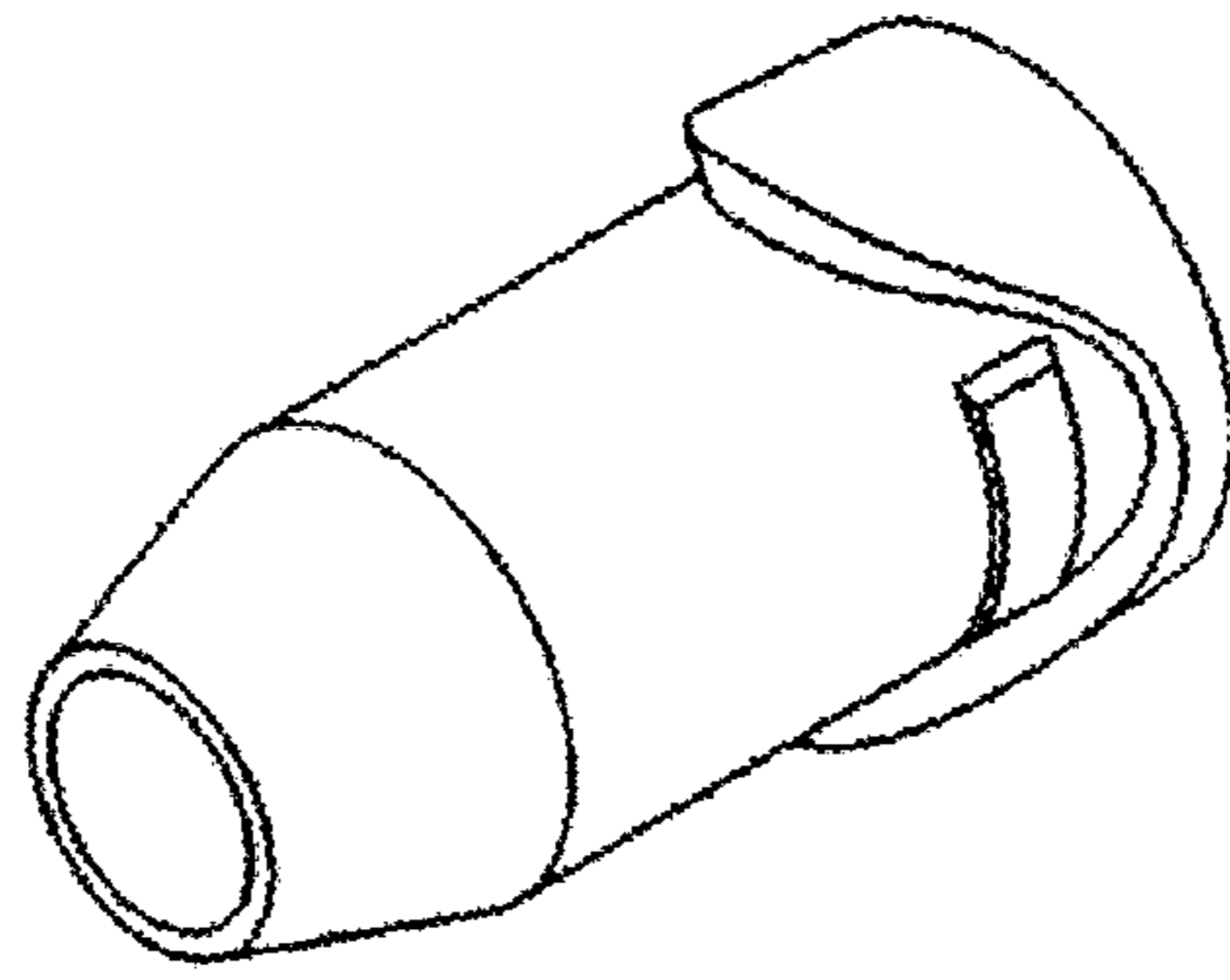


FIG - 1

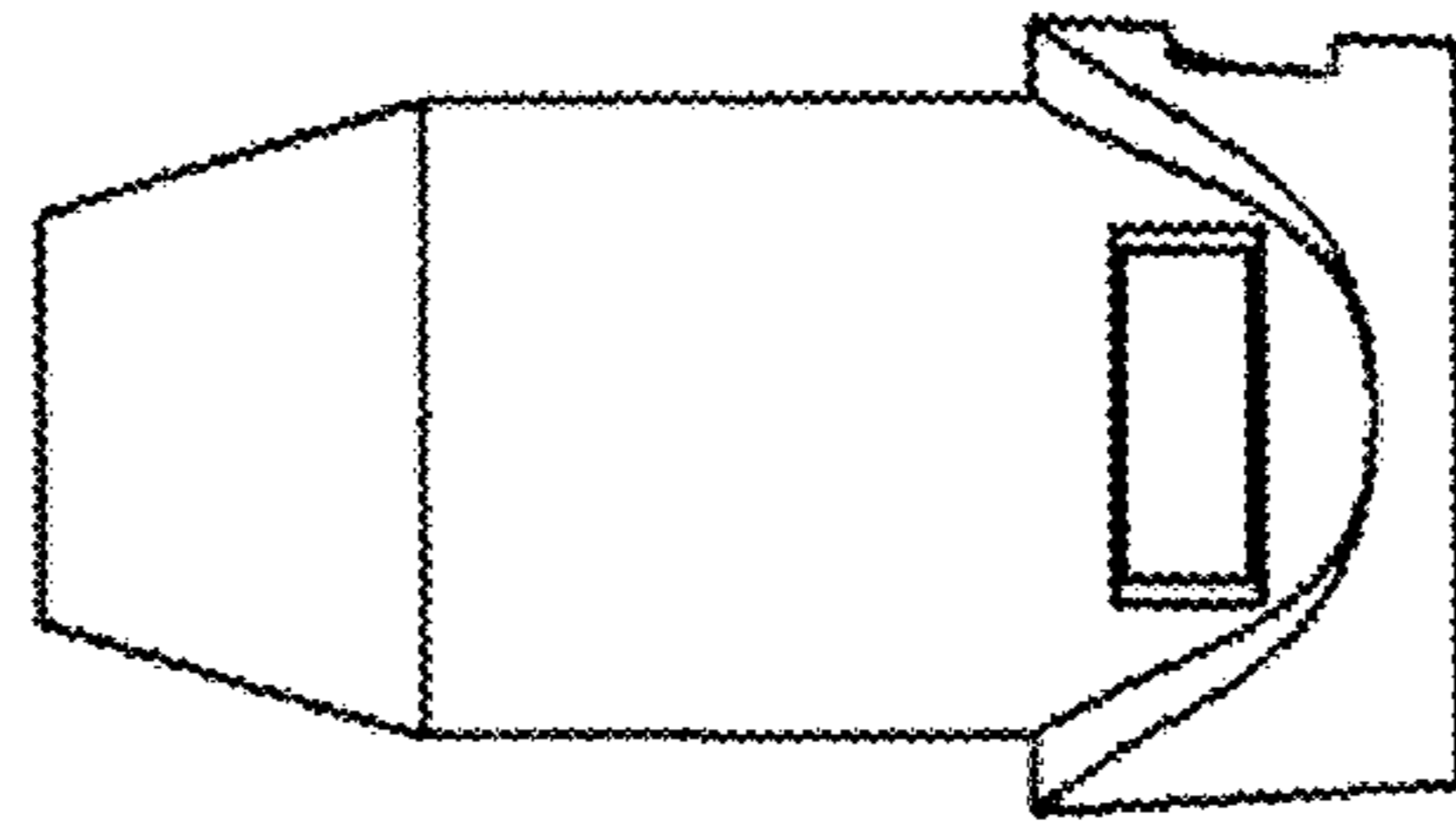


FIG - 2

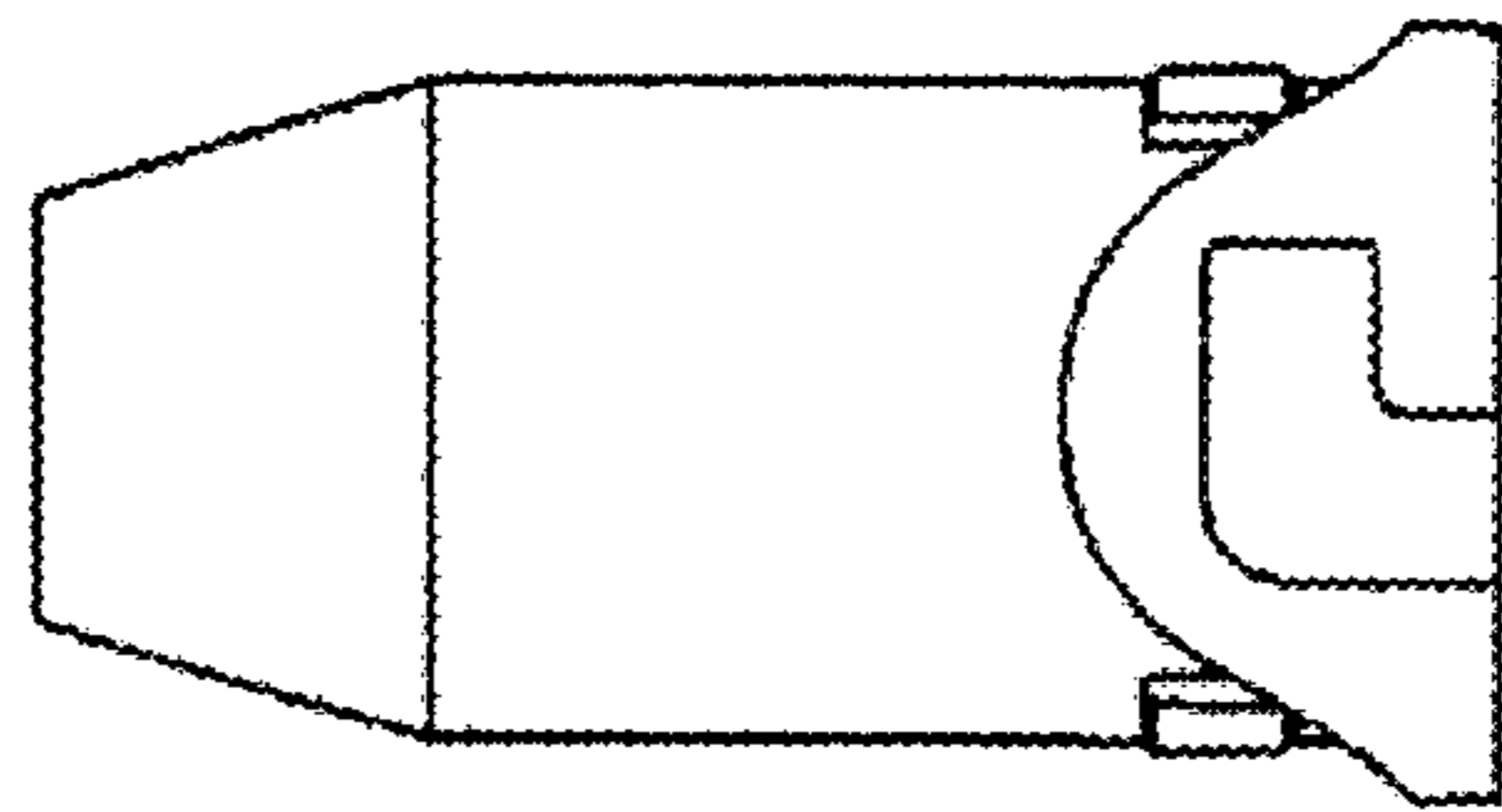


FIG - 3

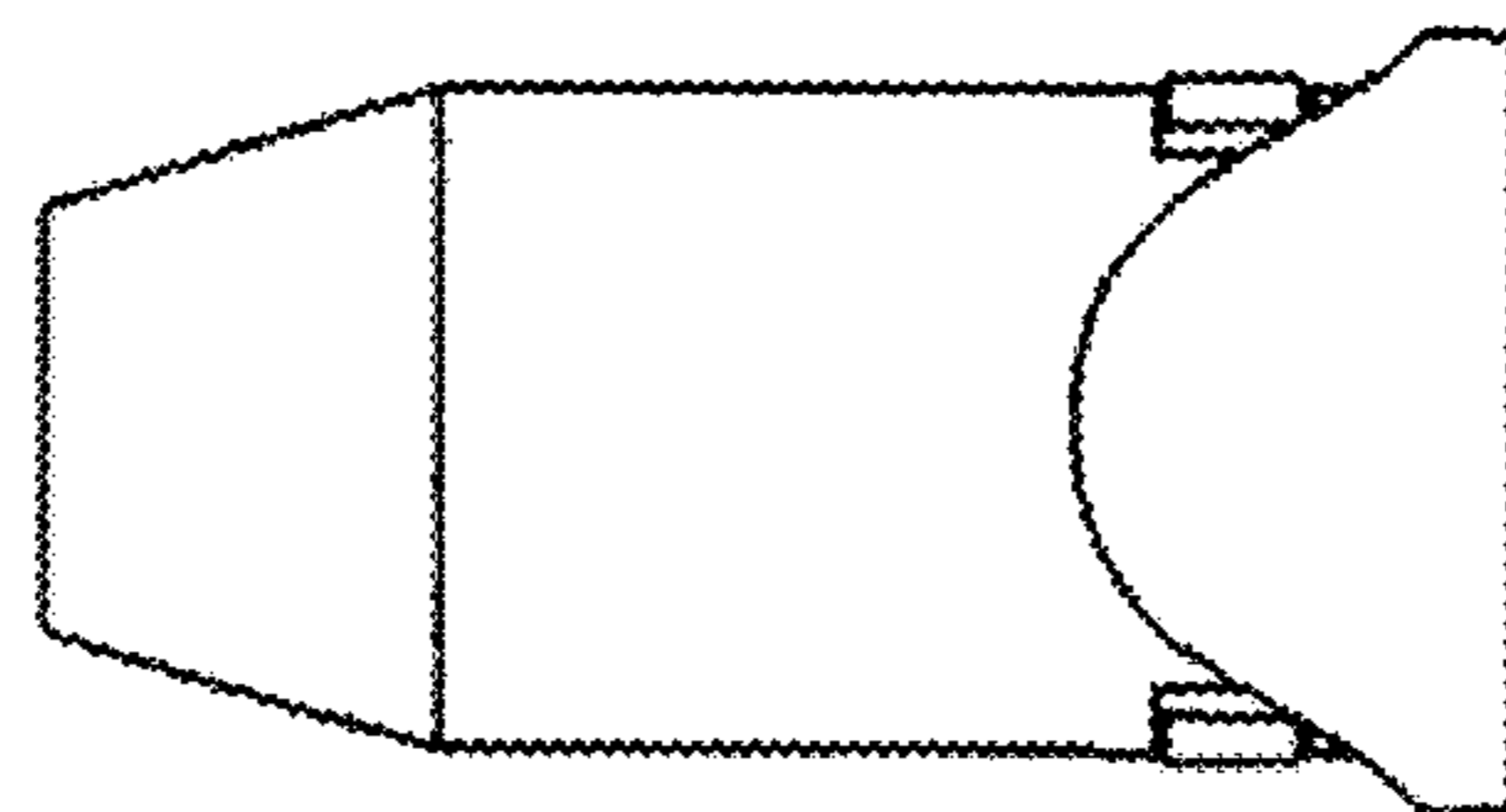


FIG - 4

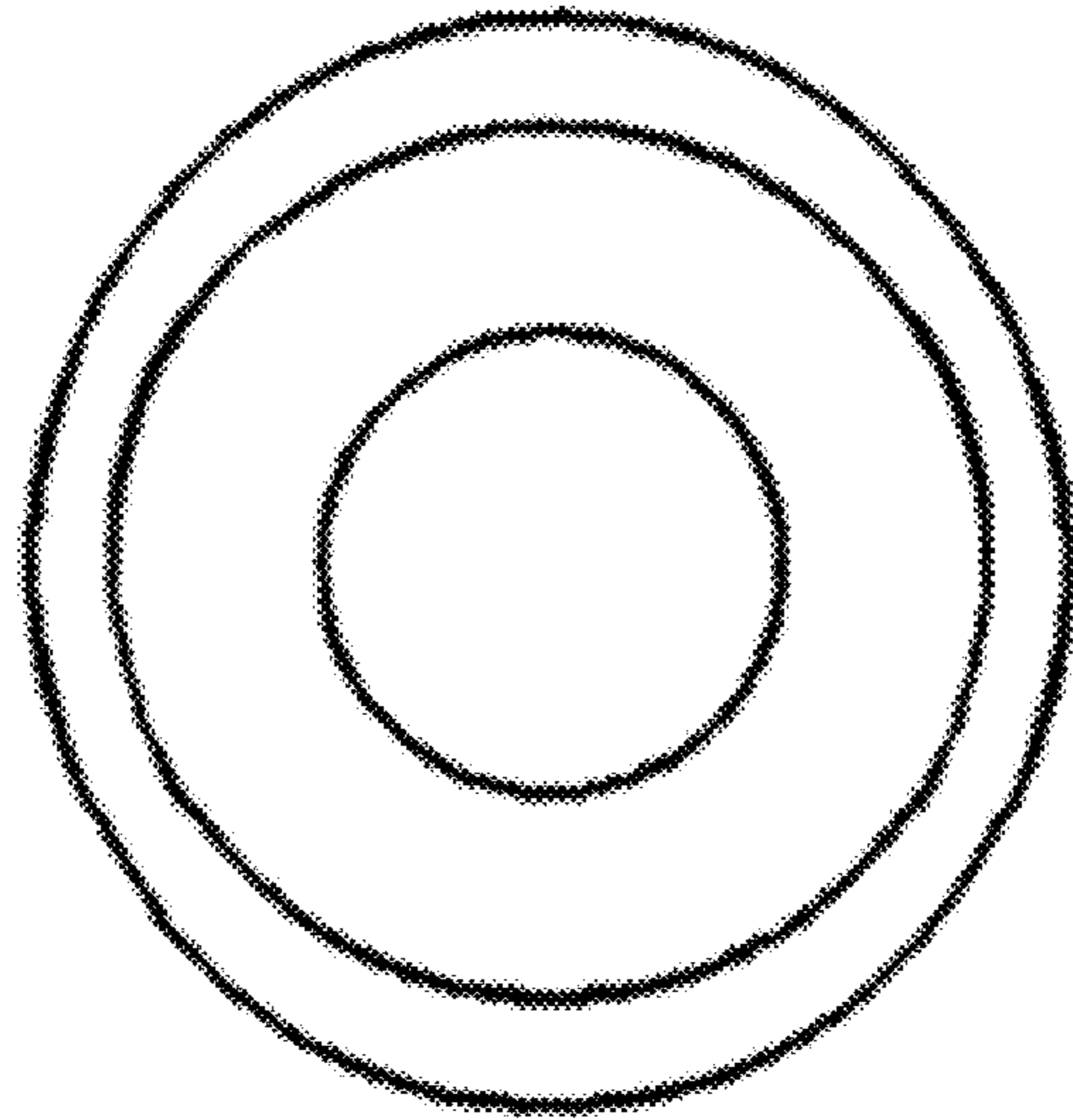


FIG — 5

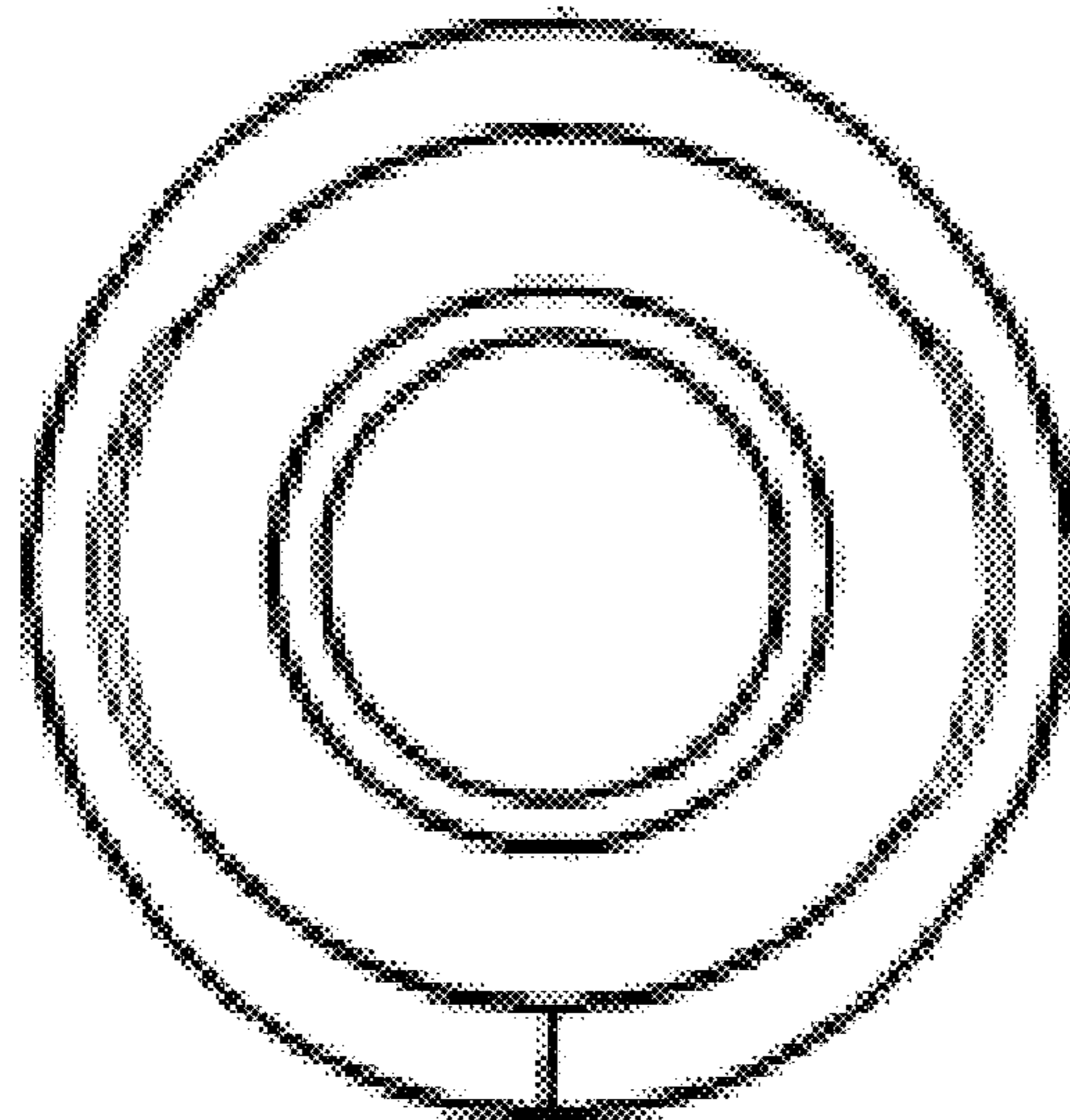


FIG — 6