



US00D616098S

(12) **United States Design Patent**
Shibata et al.

(10) **Patent No.:** **US D616,098 S**
(45) **Date of Patent:** **** May 18, 2010**

(54) **SPHYGMOMANOMETER**

D561,339 S * 2/2008 Eda et al. D24/165

(75) Inventors: **Fumie Shibata**, Tokyo (JP); **Yuki Shibata**, Tokyo (JP); **Ayumu Okada**, Aichi (JP); **Yosuke Fujii**, Kyoto (JP); **Tameo Ashida**, Takatsuki (JP); **Masahiko Yumoto**, Kyoto (JP)

(73) Assignee: **Omron Healthcare Co., Ltd.**, Kyoto (JP)

(**) Term: **14 Years**

(21) Appl. No.: **29/341,981**

(22) Filed: **Aug. 17, 2009**

(30) **Foreign Application Priority Data**

Mar. 10, 2009 (JP) 2009-005269

(51) **LOC (9) Cl.** **24-02**

(52) **U.S. Cl.** **D24/165**

(58) **Field of Classification Search** D24/165-168, D24/186; D10/98; 600/301, 481, 483, 485, 600/490, 493-495, 500, 501, 503; 128/900
See application file for complete search history.

(56) **References Cited**

U.S. PATENT DOCUMENTS

D254,629 S * 4/1980 Yen D24/165
D298,167 S * 10/1988 Schaffer et al. D24/165
D328,130 S * 7/1992 Claxton et al. D24/165
D341,658 S 11/1993 Kojima
6,315,734 B1 * 11/2001 Nunome 600/500
7,153,270 B2 * 12/2006 Sano et al. 600/485
7,207,944 B2 * 4/2007 Fumuro et al. 600/490
7,316,653 B2 * 1/2008 Sano et al. 600/485

FOREIGN PATENT DOCUMENTS

JP D 865483 3/1993
JP D 901678 6/1994
JP D 901695 6/1994
JP D 865483-1 9/1997
JP D 1070957 5/2000
JP D 1343070 11/2008
JP D 1343071 11/2008
KR 30-0246390 10/1999
KR 30-0312639 11/2002
KR 30-0312640 11/2002
KR 30-0312639-1 2/2003
KR 30-0312640-1 2/2003

* cited by examiner

Primary Examiner—T. Chase Nelson

Assistant Examiner—Anhdao Doan

(74) *Attorney, Agent, or Firm*—Capitol City TechLaw

(57) **CLAIM**

The ornamental design for a sphygmomanometer, as shown.

DESCRIPTION

FIG. 1 is a front, right side, top perspective view of the sphygmomanometer showing our new design;

FIG. 2 is a front, left side, top perspective view thereof;

FIG. 3 is a rear, right side, top perspective view thereof;

FIG. 4 is a front elevational view thereof;

FIG. 5 is a rear elevational view thereof;

FIG. 6 is a top plan view thereof;

FIG. 7 is a bottom plan view thereof;

FIG. 8 is a right side elevational view thereof; and,

FIG. 9 is a left side elevational view thereof.

1 Claim, 5 Drawing Sheets

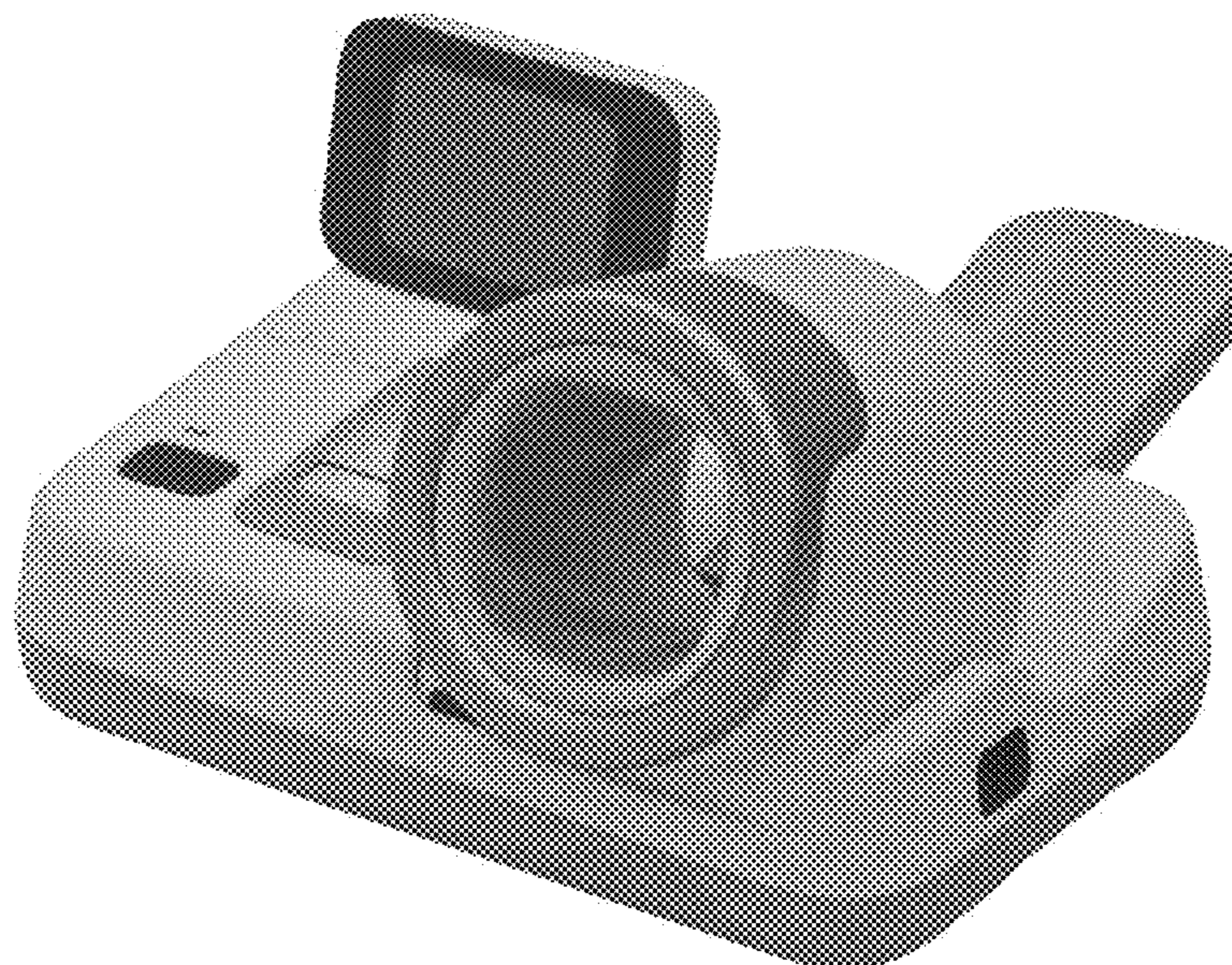


Fig. 1



Fig. 2

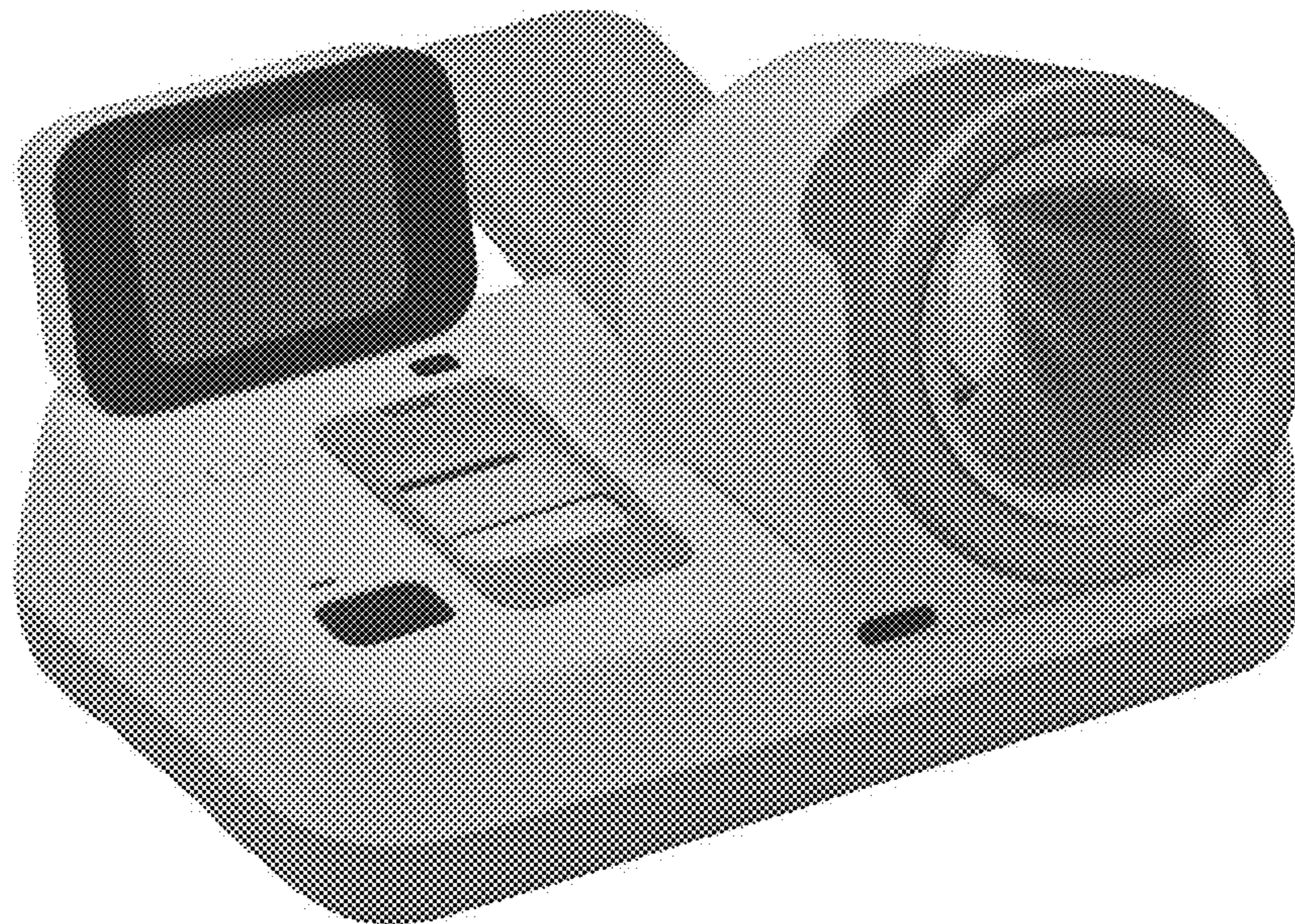


Fig. 3

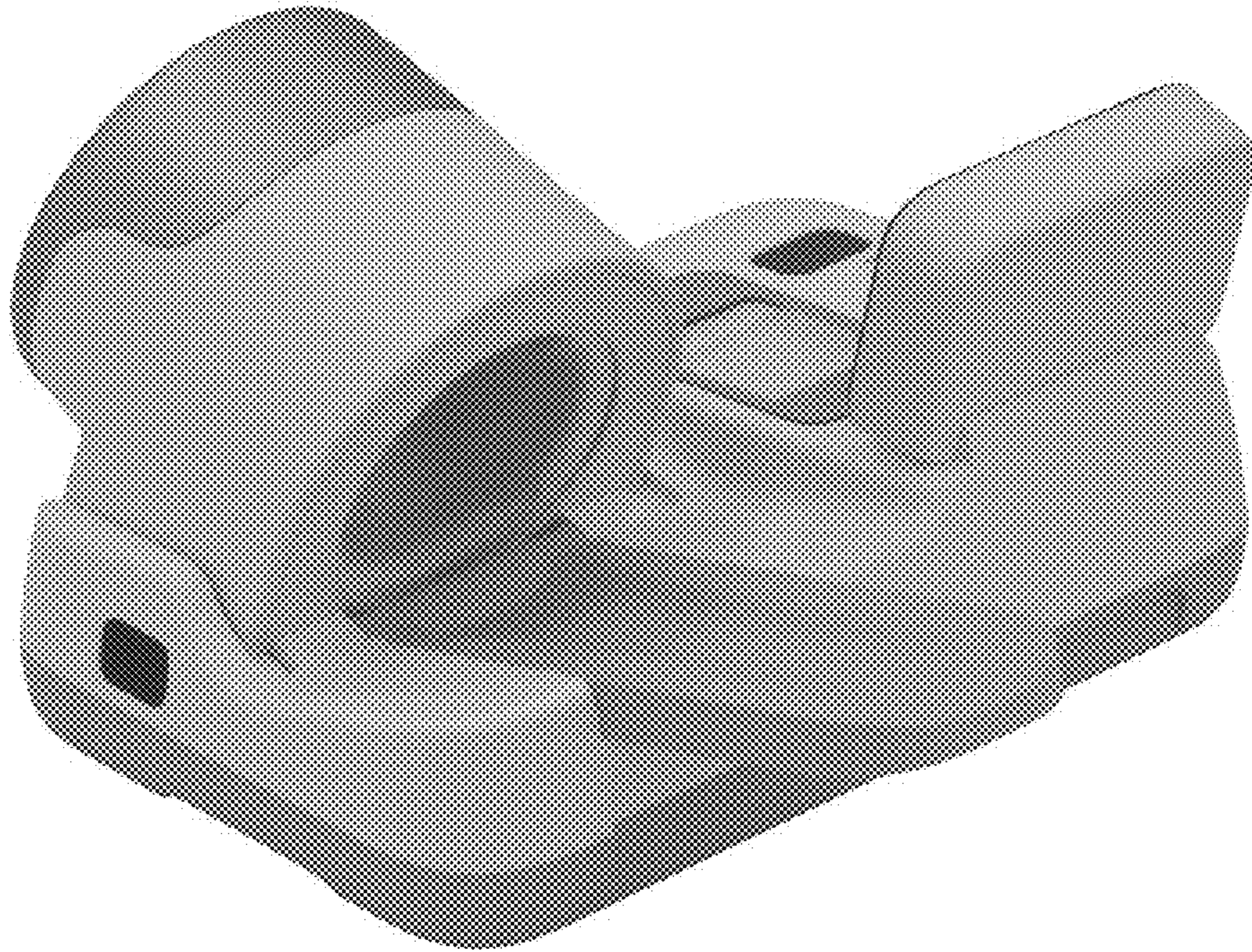


Fig. 4

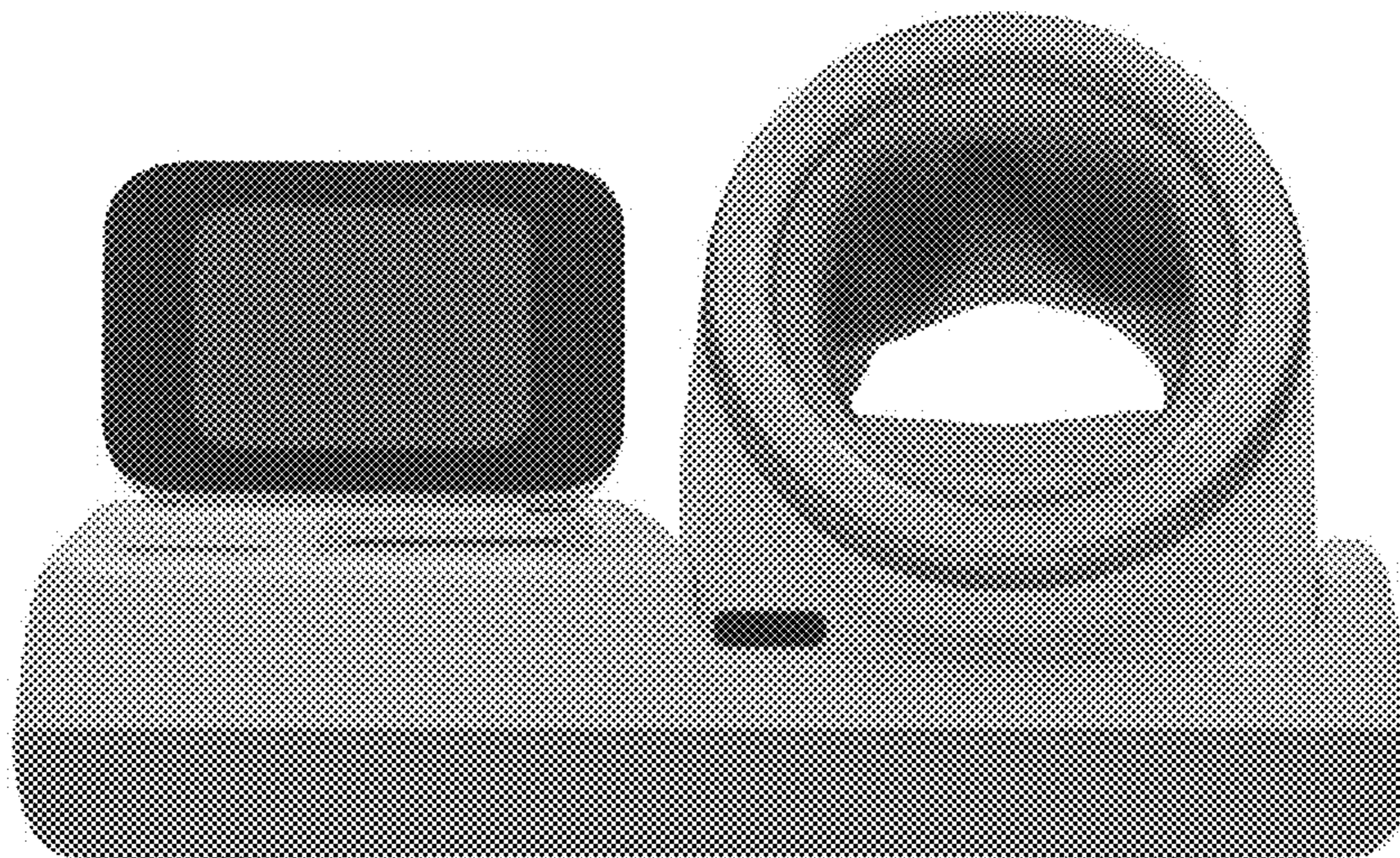


Fig. 5

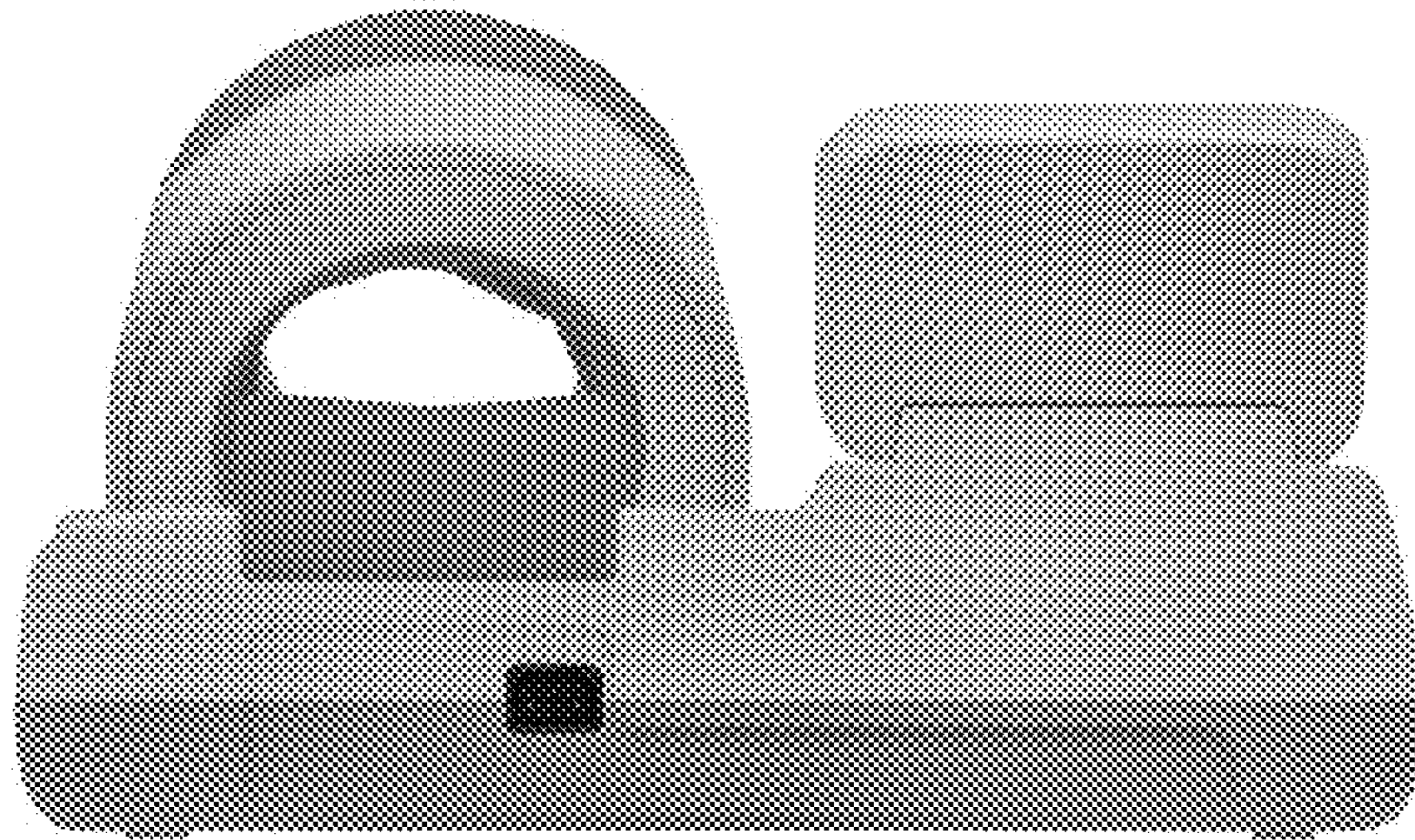


Fig. 6

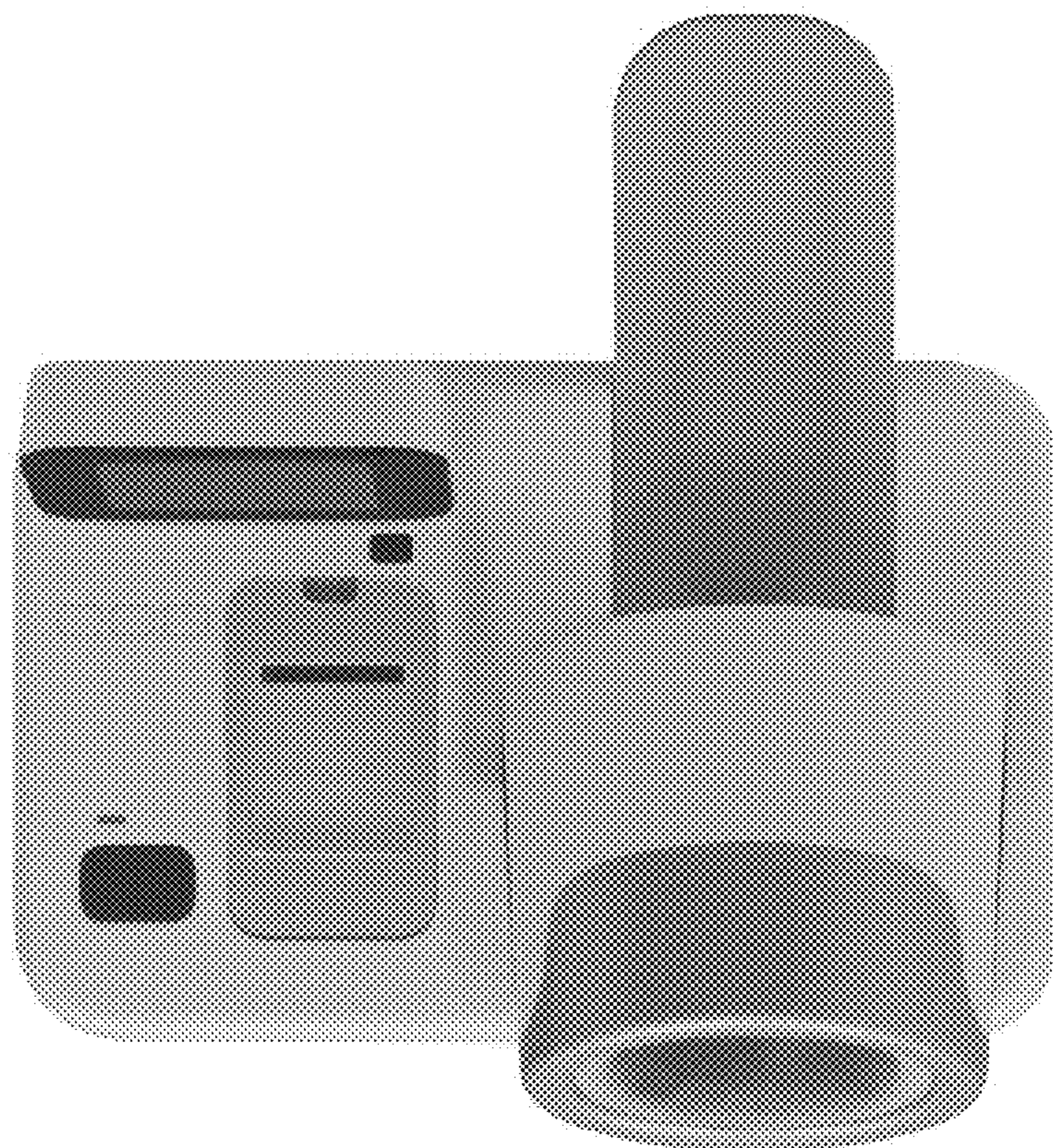


Fig. 7

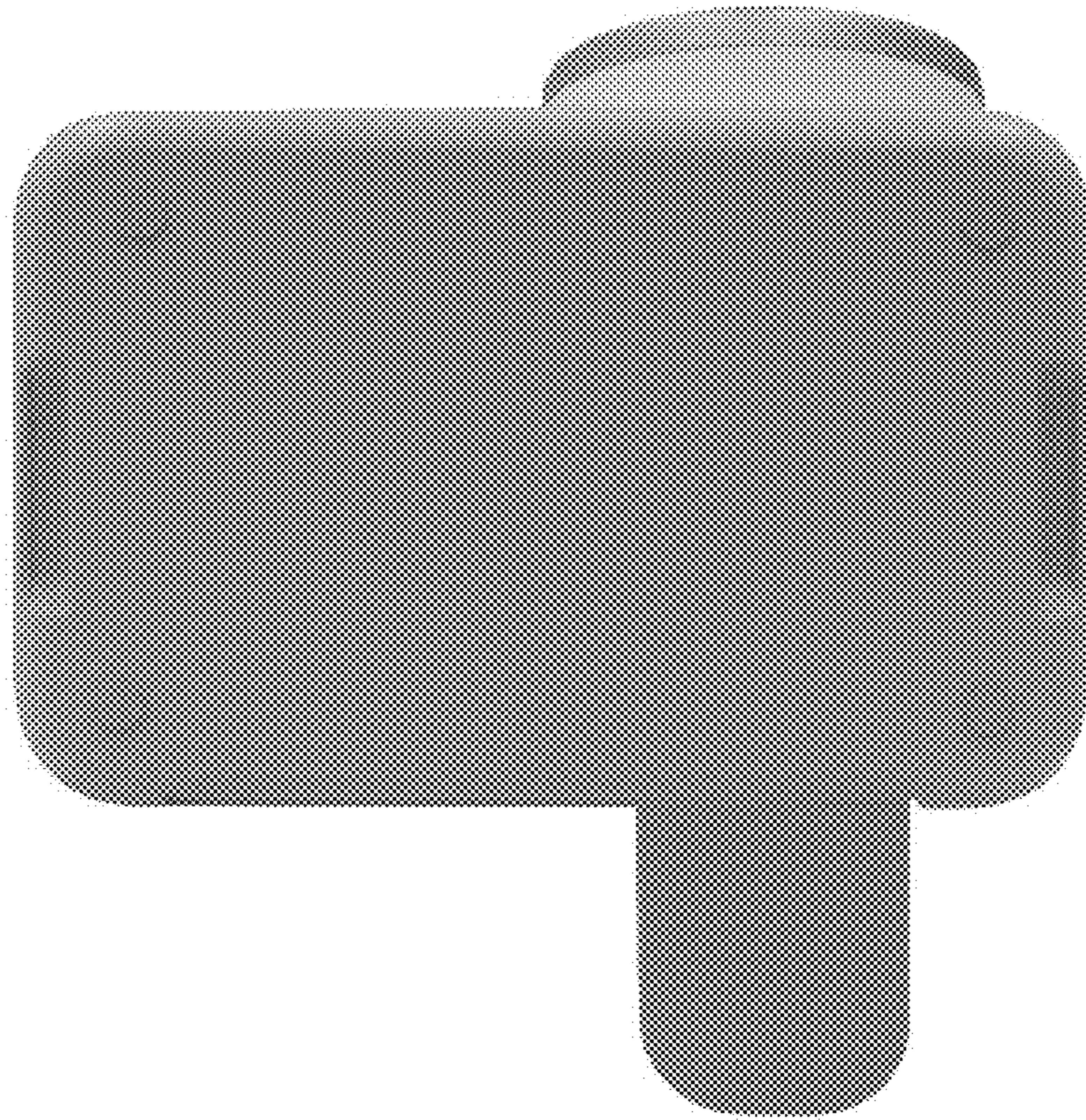


Fig. 8

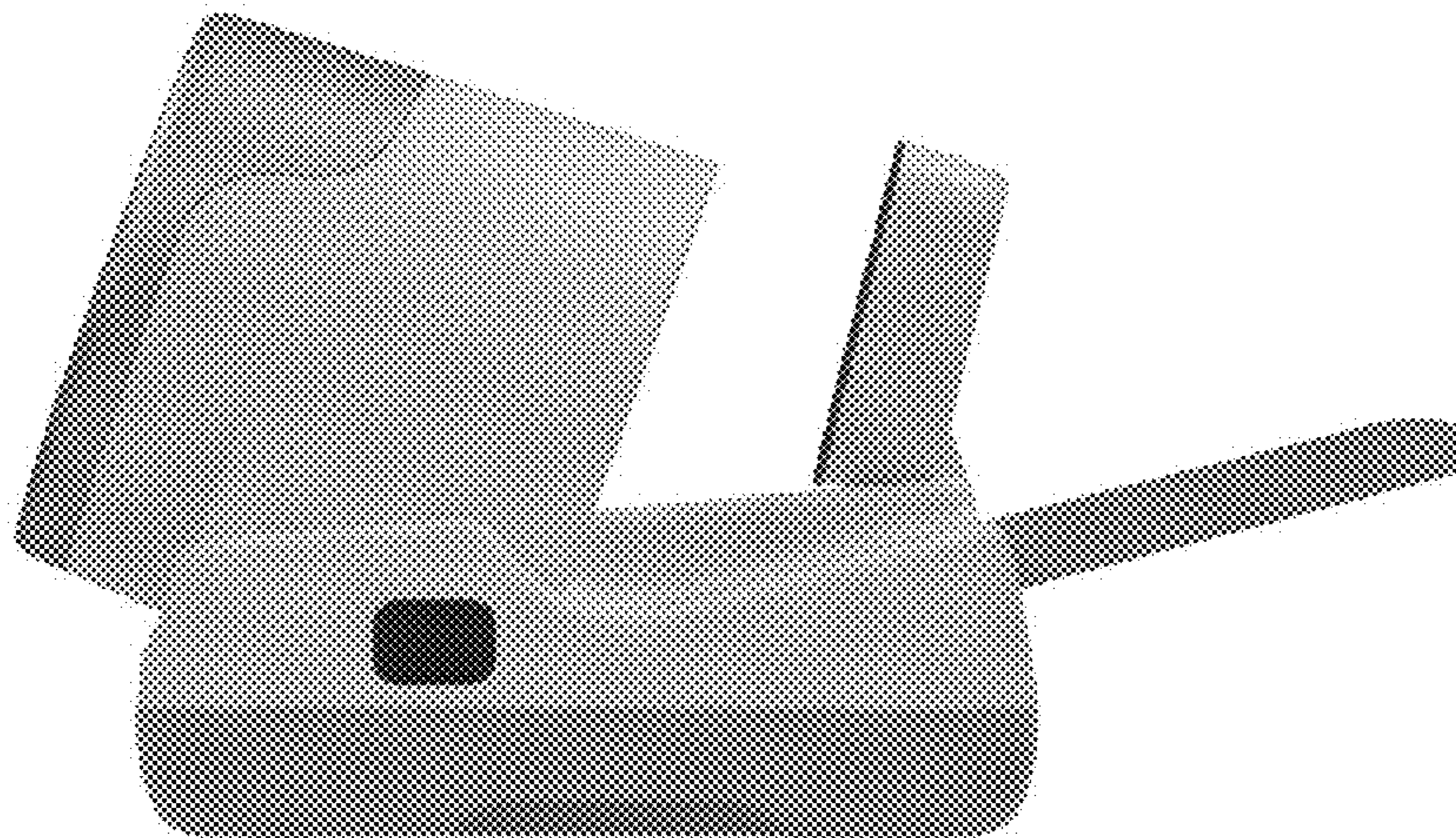


Fig. 9

