



US00D616096S

(12) **United States Design Patent**  
**Laurysen**

(10) **Patent No.:** **US D616,096 S**  
(45) **Date of Patent:** **\*\* May 18, 2010**

(54) **MAMMARY PROSTHESIS**

D340,982 S \* 11/1993 Terino ..... D24/155  
5,674,285 A \* 10/1997 Quaid ..... 623/8  
6,210,439 B1 \* 4/2001 Firmin et al. .... 623/8

(76) Inventor: **Gary Pierre Laurysen**, 373 Bally  
James Duff Crescent, Randjiesfontein  
1083 (ZA)

(\*\*) Term: **14 Years**

(21) Appl. No.: **29/304,785**

(22) Filed: **Mar. 7, 2008**

(30) **Foreign Application Priority Data**

Sep. 7, 2007 (ZA) ..... F2007/01604

(51) **LOC (9) Cl.** ..... **24-03**

(52) **U.S. Cl.** ..... **D24/155; D2/853**

(58) **Field of Classification Search** ..... D24/155-157;  
623/57, 64, 63, 16, 11, 17.11, 19.11, 7, 8  
See application file for complete search history.

(56) **References Cited**

**U.S. PATENT DOCUMENTS**

2,752,602	A *	7/1956	Wilhelm	.....	623/7
2,842,775	A *	7/1958	Pangman	.....	623/8
4,199,825	A *	4/1980	Knoche	.....	623/7
4,317,241	A *	3/1982	Knoche	.....	623/7
4,356,573	A *	11/1982	Knoche	.....	623/7
5,007,929	A *	4/1991	Quaid	.....	623/8
5,071,433	A *	12/1991	Naestoft et al.	.....	623/7

**OTHER PUBLICATIONS**

U.S. Appl. No. 29/282,683, filed Jul. 26, 2007, Laurysen.  
U.S. Appl. No. 29/298,500, filed Dec. 6, 2007, Laurysen.

\* cited by examiner

*Primary Examiner*—Charles A Rademaker

(74) *Attorney, Agent, or Firm*—Marshall, Gerstein & Borun  
LLP

(57) **CLAIM**

The ornamental design for a mammary prosthesis, as shown  
and described.

**DESCRIPTION**

FIG. 1 is a front perspective view of a mammary prosthesis  
showing my new design;

FIG. 2 is a front view of the prosthesis of FIG. 1;

FIG. 3 is a side view of the prosthesis of FIG. 1;

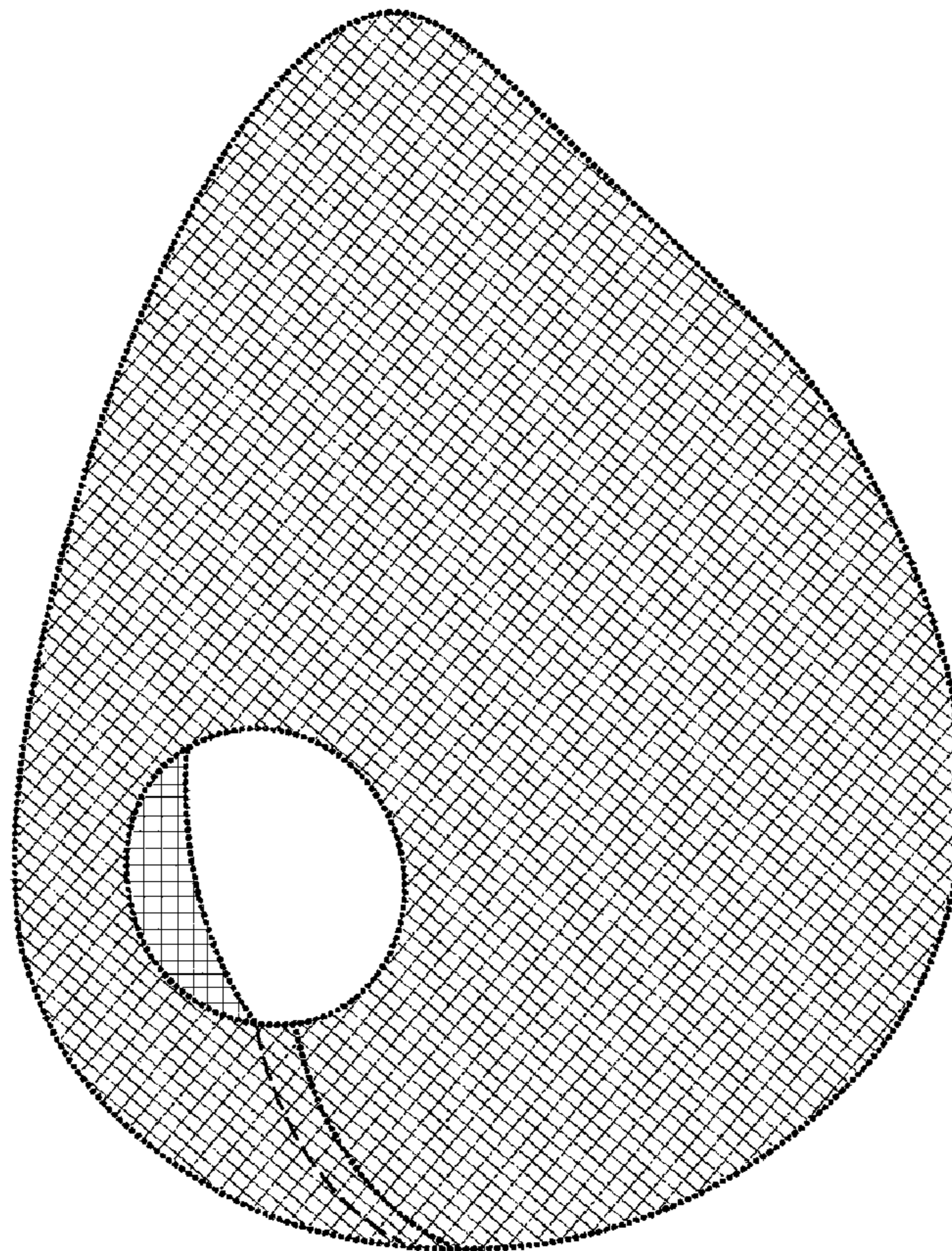
FIG. 4 is a top plan view of the prosthesis of FIG. 1;

FIG. 5 is a rear view of the of the prosthesis of FIG. 1;

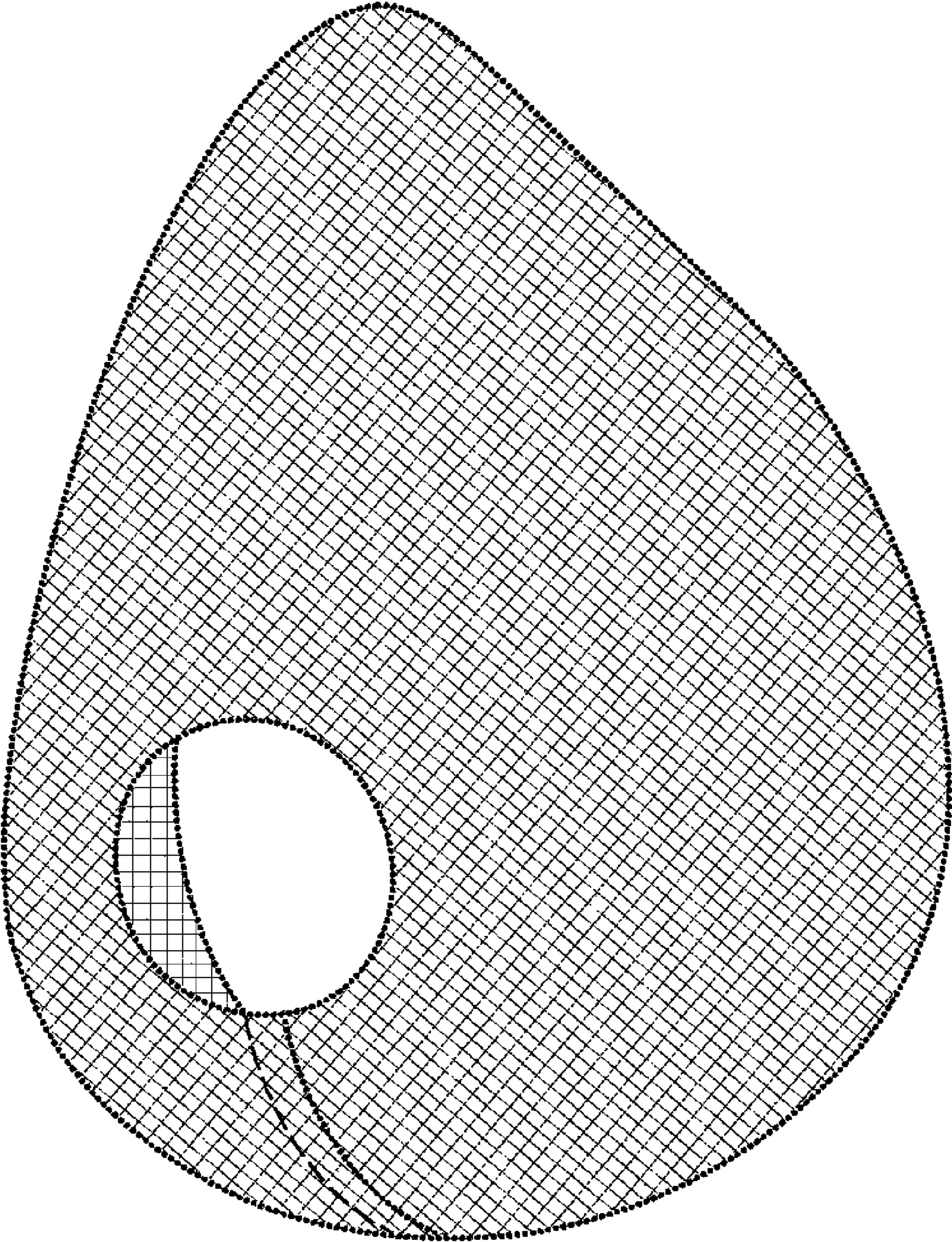
FIG. 6 is a bottom plan view of the prosthesis of FIG. 1; and,

FIG. 7 is a side view of the prosthesis of FIG. 1.

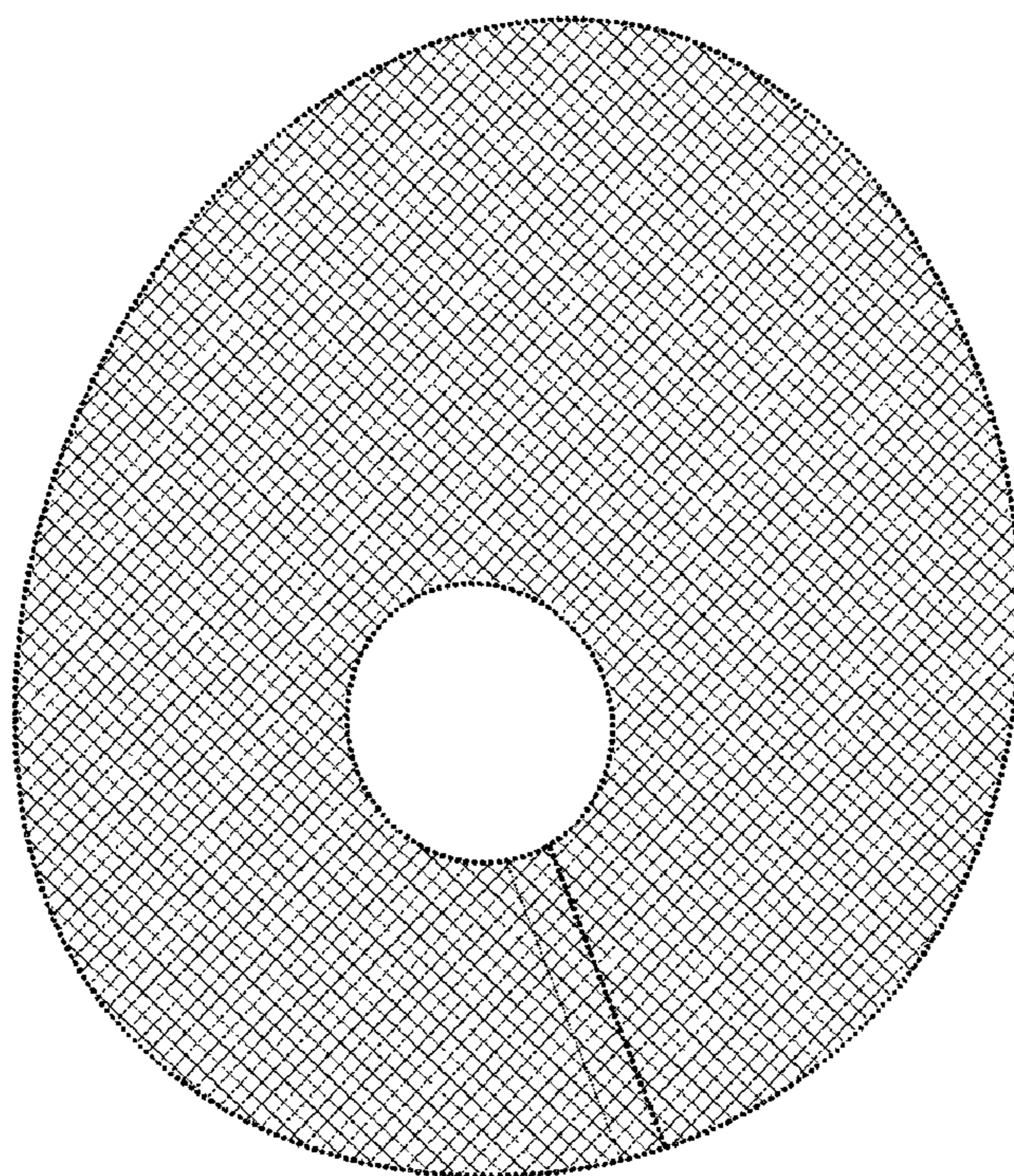
**1 Claim, 3 Drawing Sheets**



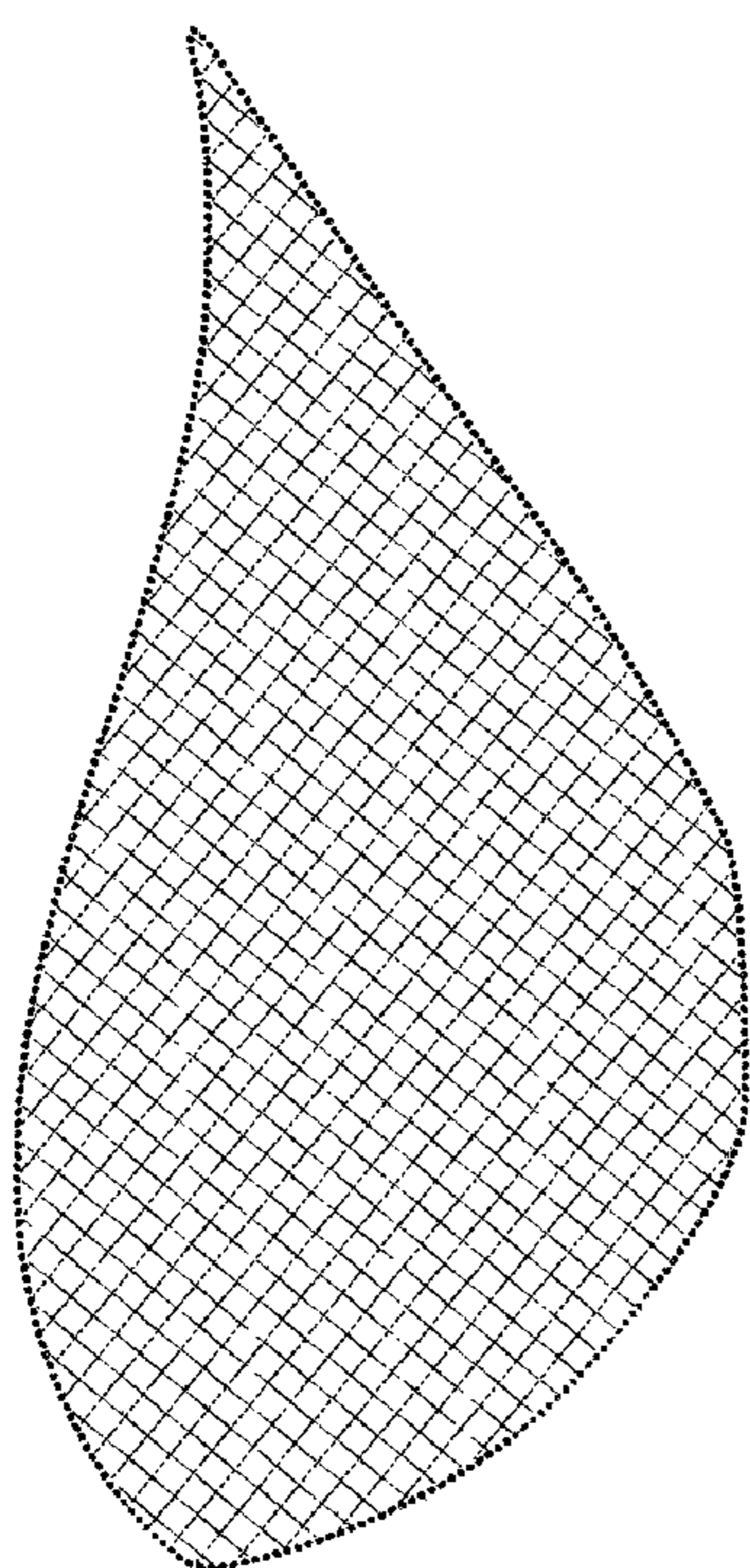
**FIG. 1**



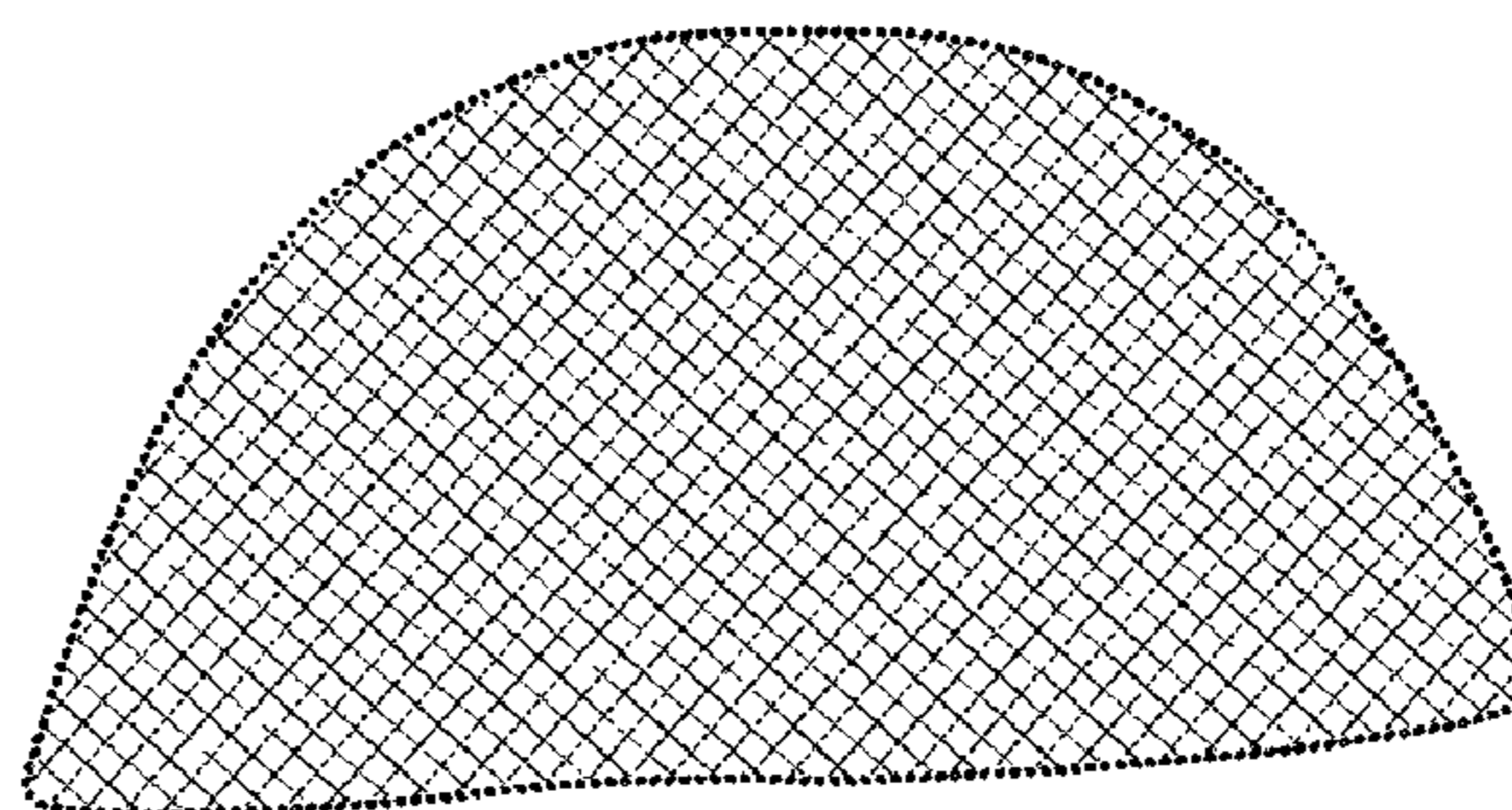
**FIG. 2**



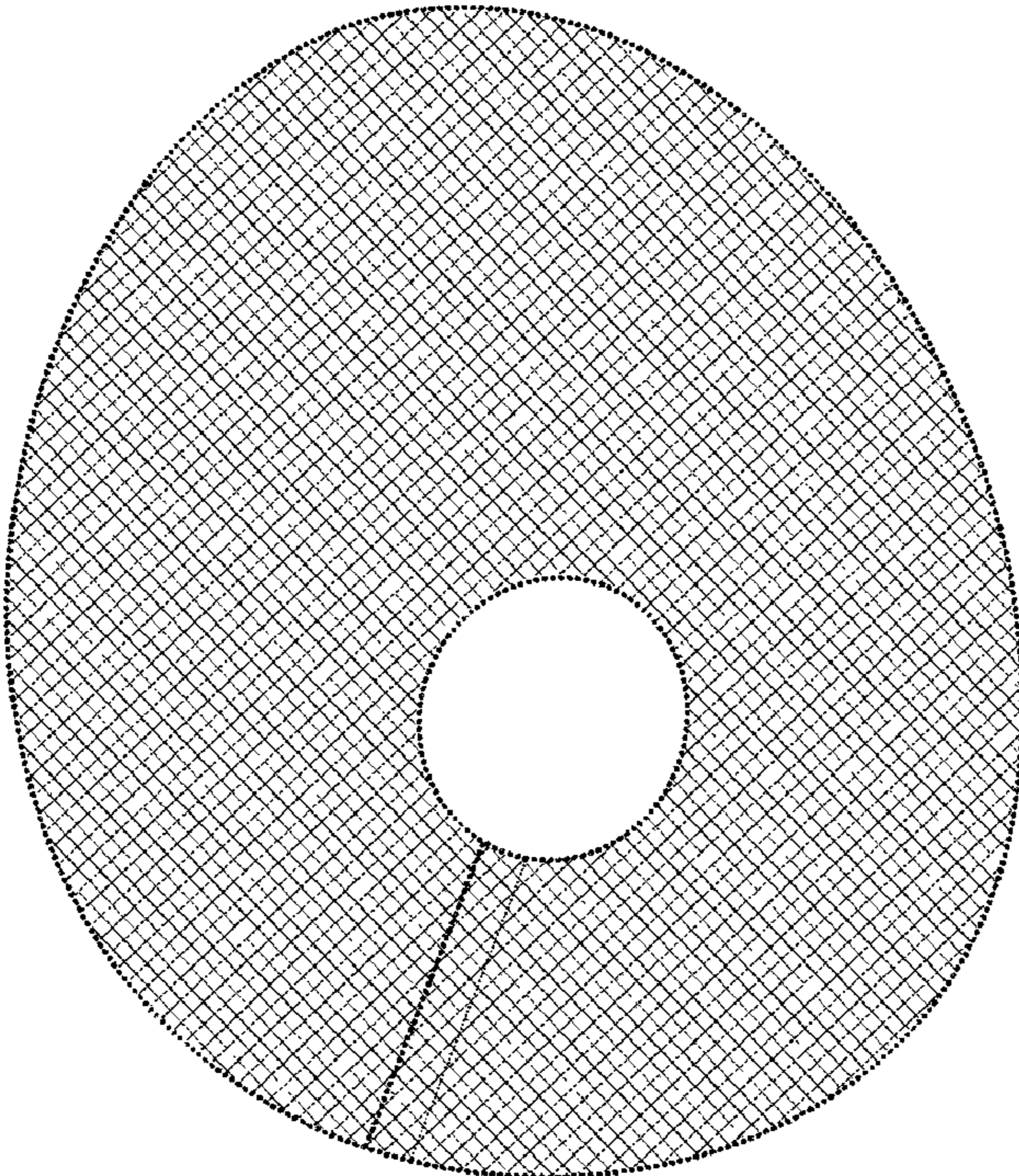
**FIG. 3**



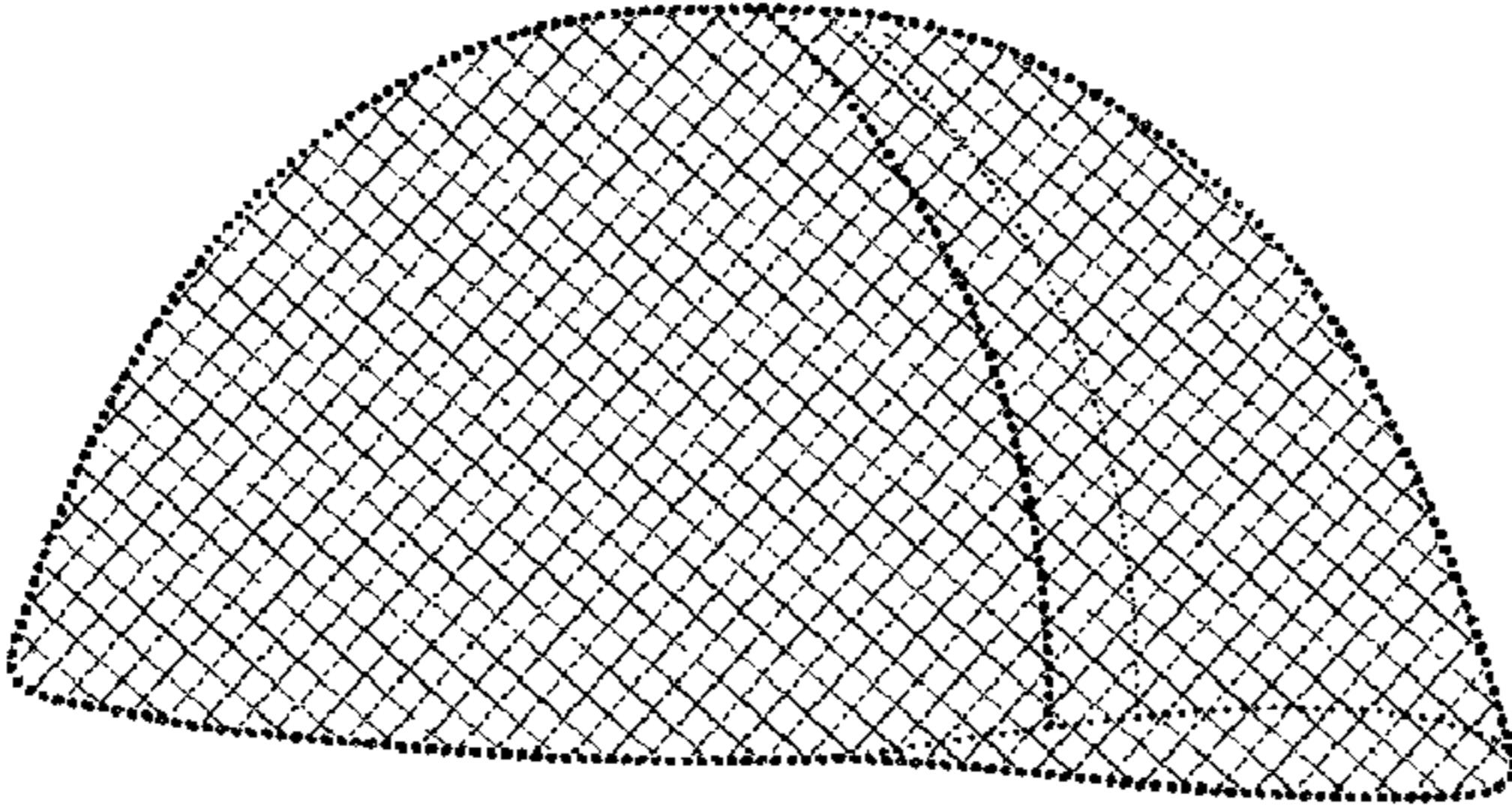
**FIG. 4**



**FIG. 5**



**FIG. 6**



**FIG. 7**

