



US00D616095S

(12) **United States Design Patent**
Kim et al.

(10) **Patent No.:** **US D616,095 S**
(45) **Date of Patent:** **** May 18, 2010**

(54) **HANDHELD SURGICAL DEPTH INSTRUMENT WITH CYLINDRICAL BODY**

(75) Inventors: **John Y. S. Kim**, Chicago, IL (US);
Kamaldeep Heyer, Chicago, IL (US)

(73) Assignee: **Eidosmed LLC**, Chicago, IL (US)

(**) Term: **14 Years**

(21) Appl. No.: **29/332,733**

(22) Filed: **Feb. 24, 2009**

(51) **LOC (9) Cl.** **24-02**

(52) **U.S. Cl.** **D24/140; D24/133**

(58) **Field of Classification Search** D24/133,
D24/140, 144, 146-147; D10/46, 70, 78;
600/121, 585, 587; 604/117-119, 125; 606/1,
606/40-42, 49, 190, 102, 96; 33/512, 836
See application file for complete search history.

(56) **References Cited**

U.S. PATENT DOCUMENTS

5,013,318	A *	5/1991	Spranza, III	33/512
5,021,056	A *	6/1991	Hofmann et al.	606/86 R
6,146,353	A *	11/2000	Platt, Jr.	606/41
D453,833	S *	2/2002	Hess	D24/144
D457,955	S *	5/2002	Bilitz	D24/133
D490,152	S *	5/2004	Myall et al.	D24/133
6,729,037	B2 *	5/2004	White	33/512
D521,641	S *	5/2006	Reschke et al.	D24/144
7,134,216	B2 *	11/2006	Rupp et al.	33/512

7,244,257	B2 *	7/2007	Podhajsky et al.	606/41
7,303,559	B2 *	12/2007	Peng et al.	606/41
7,493,703	B2 *	2/2009	Kim et al.	33/512
7,607,238	B2 *	10/2009	Kim et al.	33/512
2006/0020263	A1 *	1/2006	Rothstein et al.	606/41
2008/0167659	A1 *	7/2008	Bourlion et al.	606/102

* cited by examiner

Primary Examiner—Ian Simmons

Assistant Examiner—Wan Laymon

(74) *Attorney, Agent, or Firm*—Drinker Biddle & Reath LLP

(57) **CLAIM**

The ornamental design for a handheld surgical depth instrument with cylindrical body, as shown and described.

DESCRIPTION

FIG. 1 is a an orthogonal view of a handheld surgical depth instrument with cylindrical body;

FIG. 2 is a right side view thereof;

FIG. 3 is a top view thereof;

FIG. 4 is a left side view thereof;

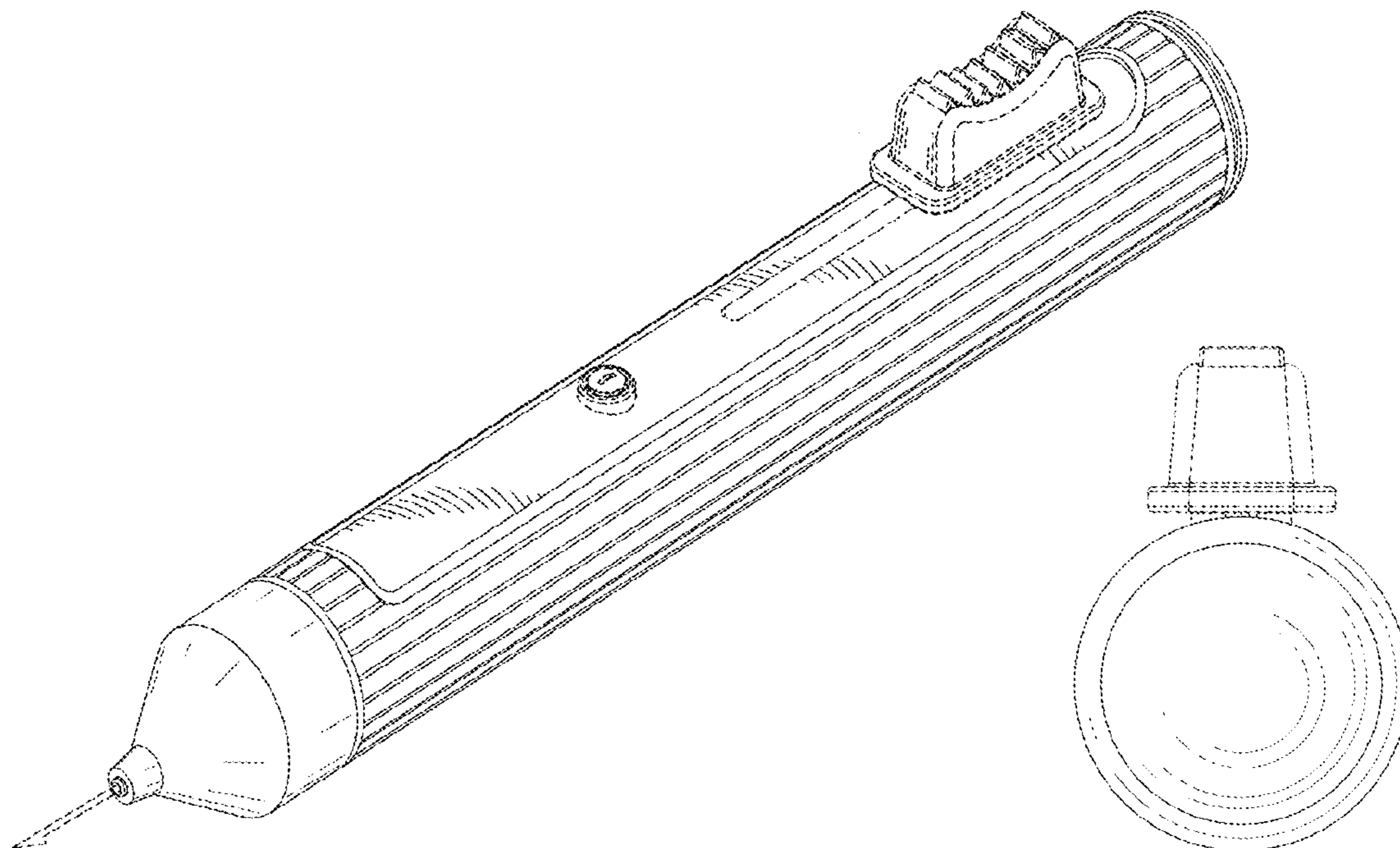
FIG. 5 is a bottom view thereof;

FIG. 6 is a frontal view thereof; and,

FIG. 7 is a rear view thereof.

The broken lines illustrated are for illustration purposes only and form no part of the claimed design.

1 Claim, 6 Drawing Sheets



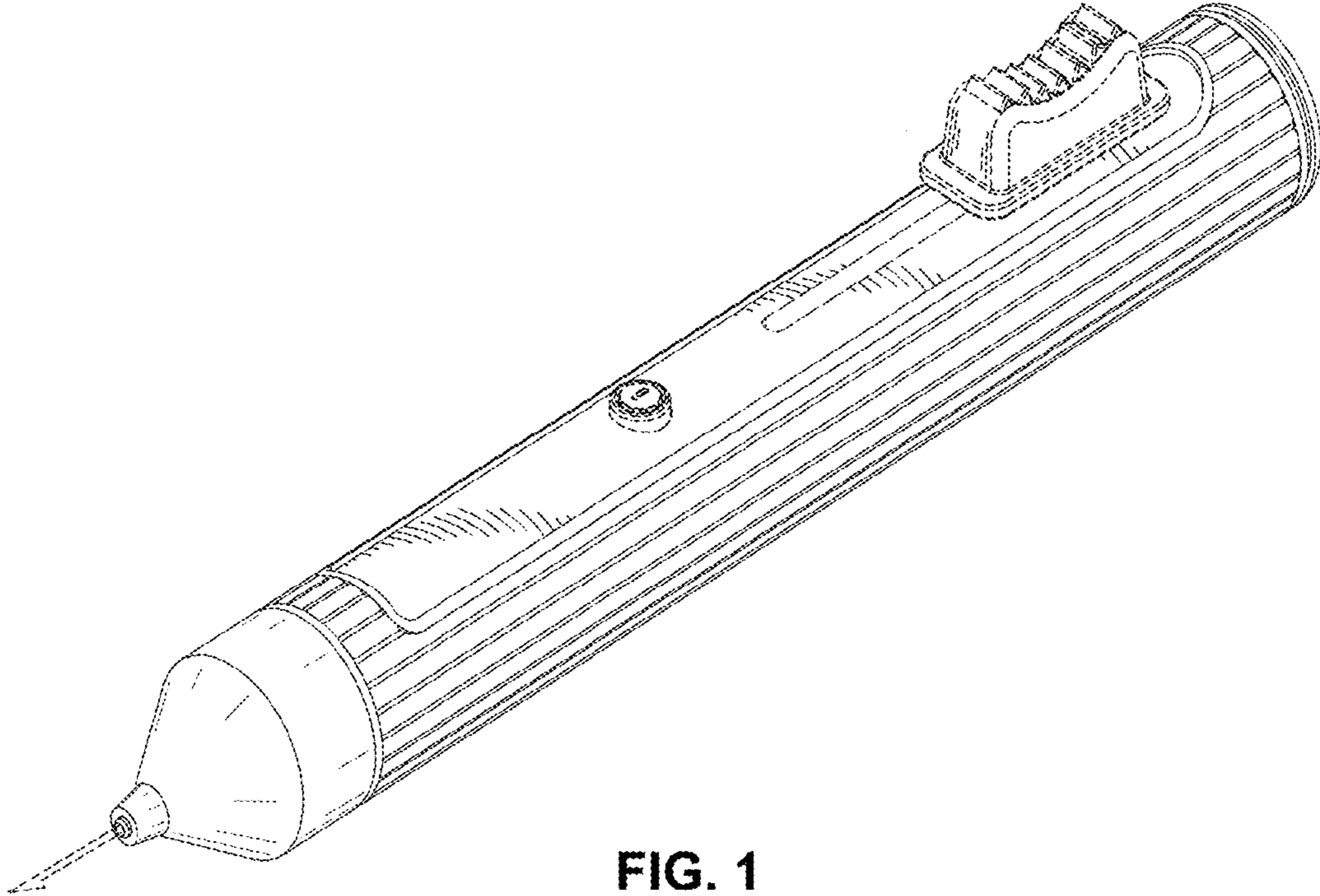


FIG. 1

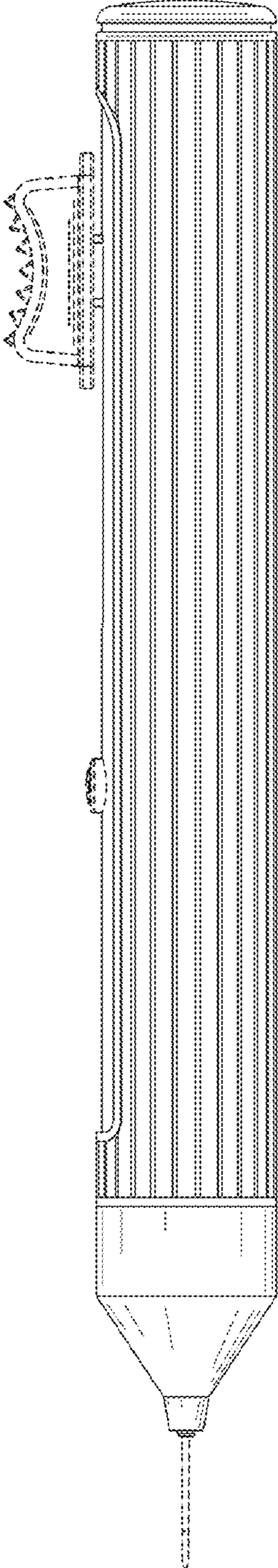


FIG. 2

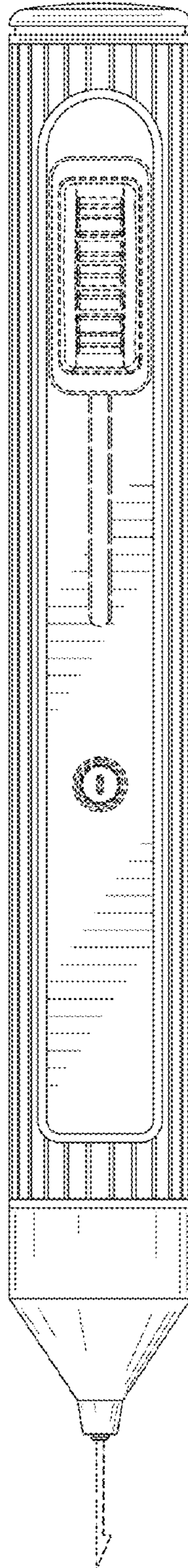


FIG. 3

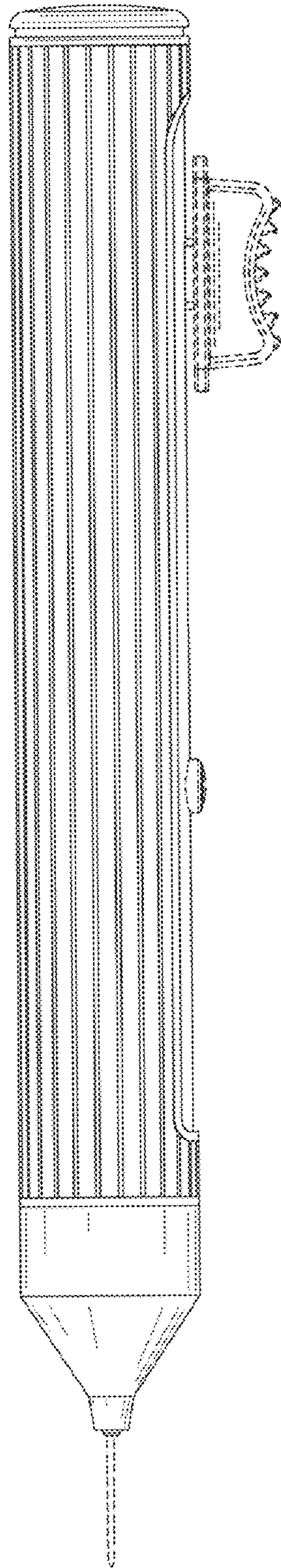


FIG. 4

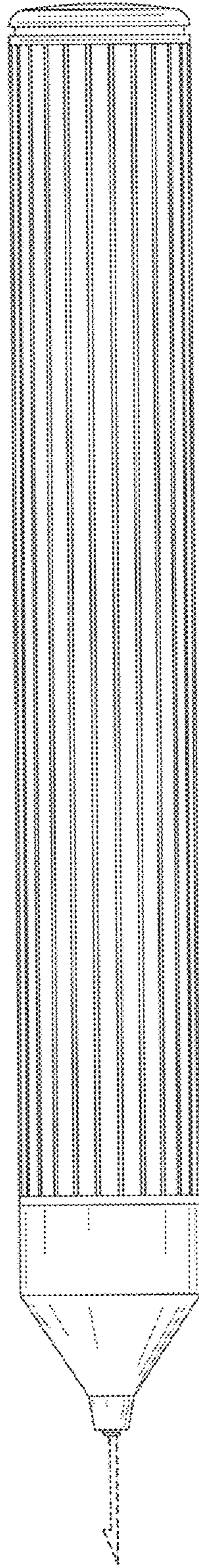


FIG. 5

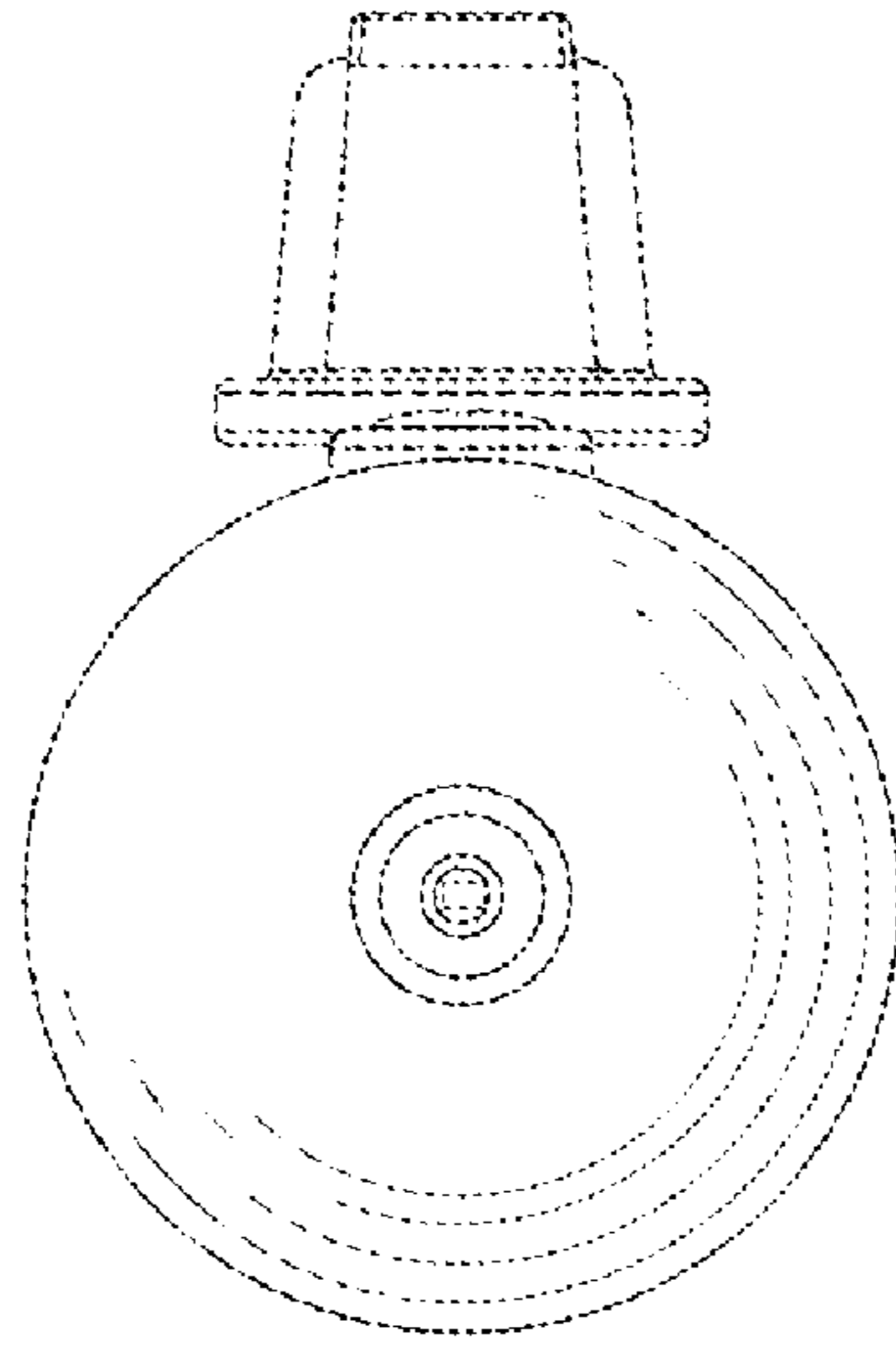


FIG. 6

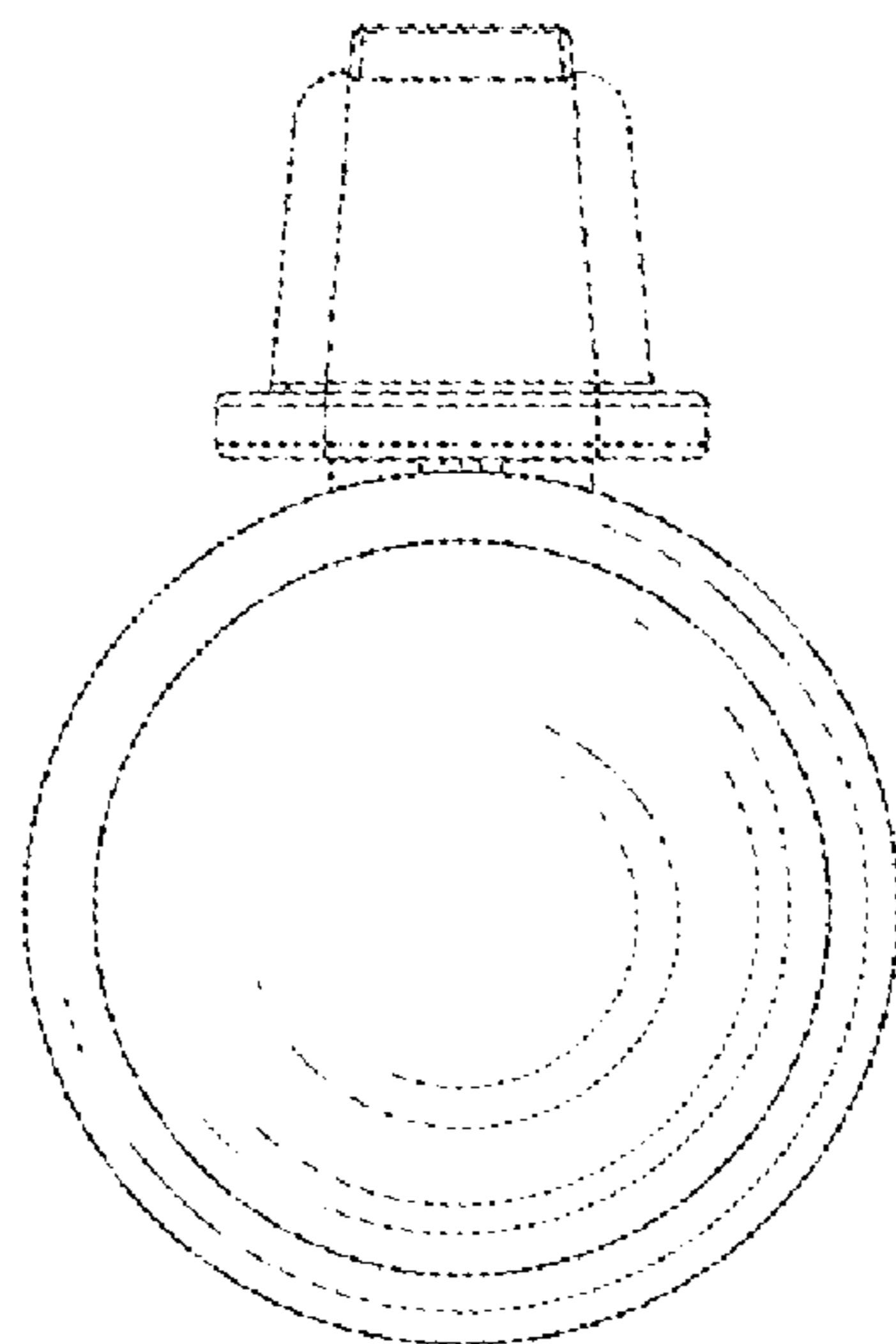


FIG. 7