



US00D616094S

(12) **United States Design Patent**
Boone, III et al.

(10) **Patent No.:** **US D616,094 S**
(45) **Date of Patent:** **** May 18, 2010**

(54) **MICRODERMABRASION TREATMENT TIP**

(75) Inventors: **N. Brendon Boone, III**, Encino, CA (US); **Basil M. Hantash**, East Palo Alto, CA (US); **Kenneth B. Karasiuk**, Oak Park, CA (US); **Steven E. Wojcik**, Mukilteo, WA (US)

(73) Assignee: **Envy Medical, Inc.**, Westlake Village, CA (US)

(**) Term: **14 Years**

(21) Appl. No.: **29/322,102**

(22) Filed: **Jul. 29, 2008**

(51) **LOC (9) Cl.** **24-02**

(52) **U.S. Cl.** **D24/133; D24/147**

(58) **Field of Classification Search** D24/133, D24/146-147, 200, 214-215; 606/127, 131-132, 606/167; 604/289, 313; 451/75, 87, 90-91, 451/102; D9/434-435, 439, 445; 215/216, 215/218, 294

See application file for complete search history.

(56) **References Cited**

U.S. PATENT DOCUMENTS

6,511,486	B2 *	1/2003	Mercier et al.	606/131
D506,550	S *	6/2005	Greenberg	D24/133
7,153,311	B2 *	12/2006	Chung	606/131
D544,955	S *	6/2007	Carson et al.	D24/107
7,255,704	B2 *	8/2007	Hogan et al.	606/131
7,318,828	B1 *	1/2008	Revivo	606/131
D570,212	S *	6/2008	Sussman	D9/453
D585,994	S *	2/2009	Mulhauser et al.	D24/133
2004/0092895	A1 *	5/2004	Harmon	604/289
2005/0107806	A1 *	5/2005	Greenberg	606/131
2007/0005078	A1 *	1/2007	Hart et al.	606/131
2007/0270738	A1 *	11/2007	Wu et al.	604/46

2008/0255586	A1 *	10/2008	Greenberg	606/131
2009/0062815	A1 *	3/2009	Karasiuk et al.	606/131
2009/0222023	A1 *	9/2009	Boone et al.	606/131

* cited by examiner

Primary Examiner—Ian Simmons

Assistant Examiner—Wan Laymon

(74) *Attorney, Agent, or Firm*—Aka Chan LLP

(57) **CLAIM**

The ornamental design for a microdermabrasion treatment tip, as shown and described.

DESCRIPTION

FIG. 1 shows a perspective view of a back of a design for a microdermabrasion treatment tip.

FIG. 2 shows a perspective view of a side and front of the design.

FIG. 3 shows a back view of the design.

FIG. 4 shows a front view of the design.

FIG. 5 shows a side view of the design.

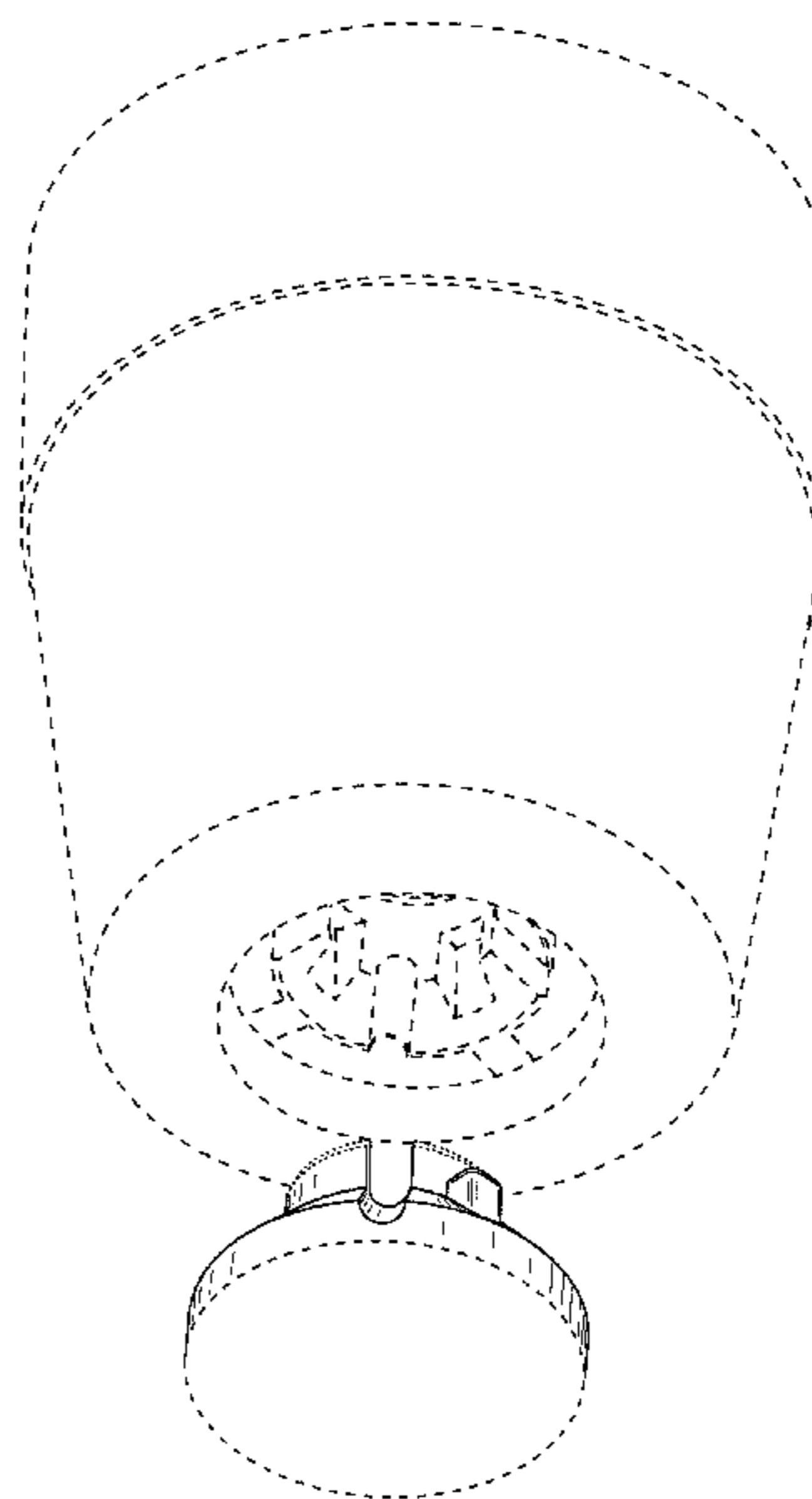
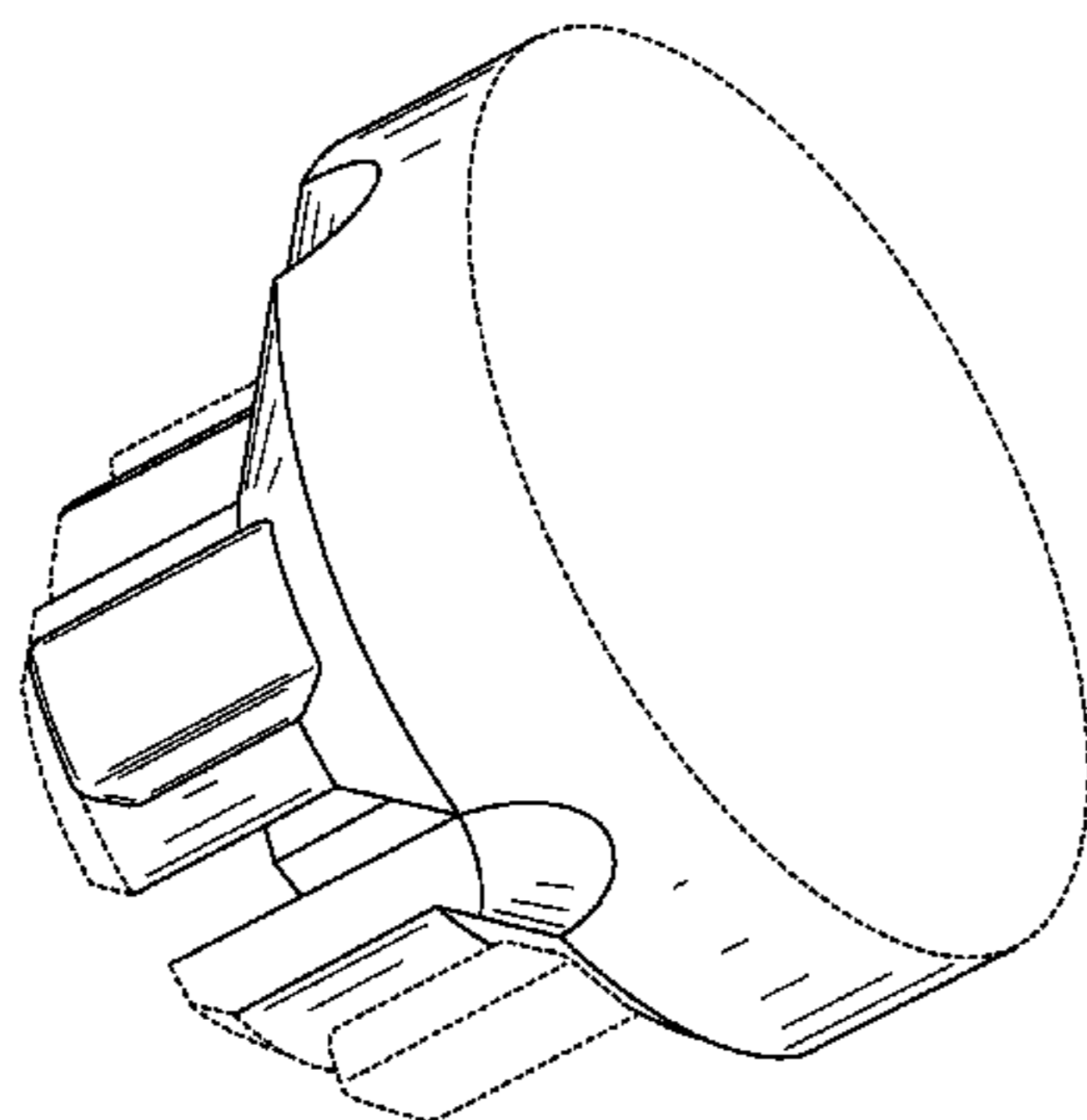
FIG. 6 shows another side view of the design, rotated 45 degrees relative to the side view in FIG. 5.

FIG. 7 shows another side view of the design, rotated 90 degrees relative to the side view in FIG. 6; and,

FIG. 8 shows a tip inserts into a microdermabrasion treatment tip mount which is illustrated in broken line for environmental purposes and does not form part of the claimed invention.

The broken lines immediately adjacent to the shaded areas represent the boundaries of the claimed design while all other broken lines in the figures illustrate the portions of the design that form no part of the claim. None of the broken lines form any part of the claimed design.

1 Claim, 8 Drawing Sheets



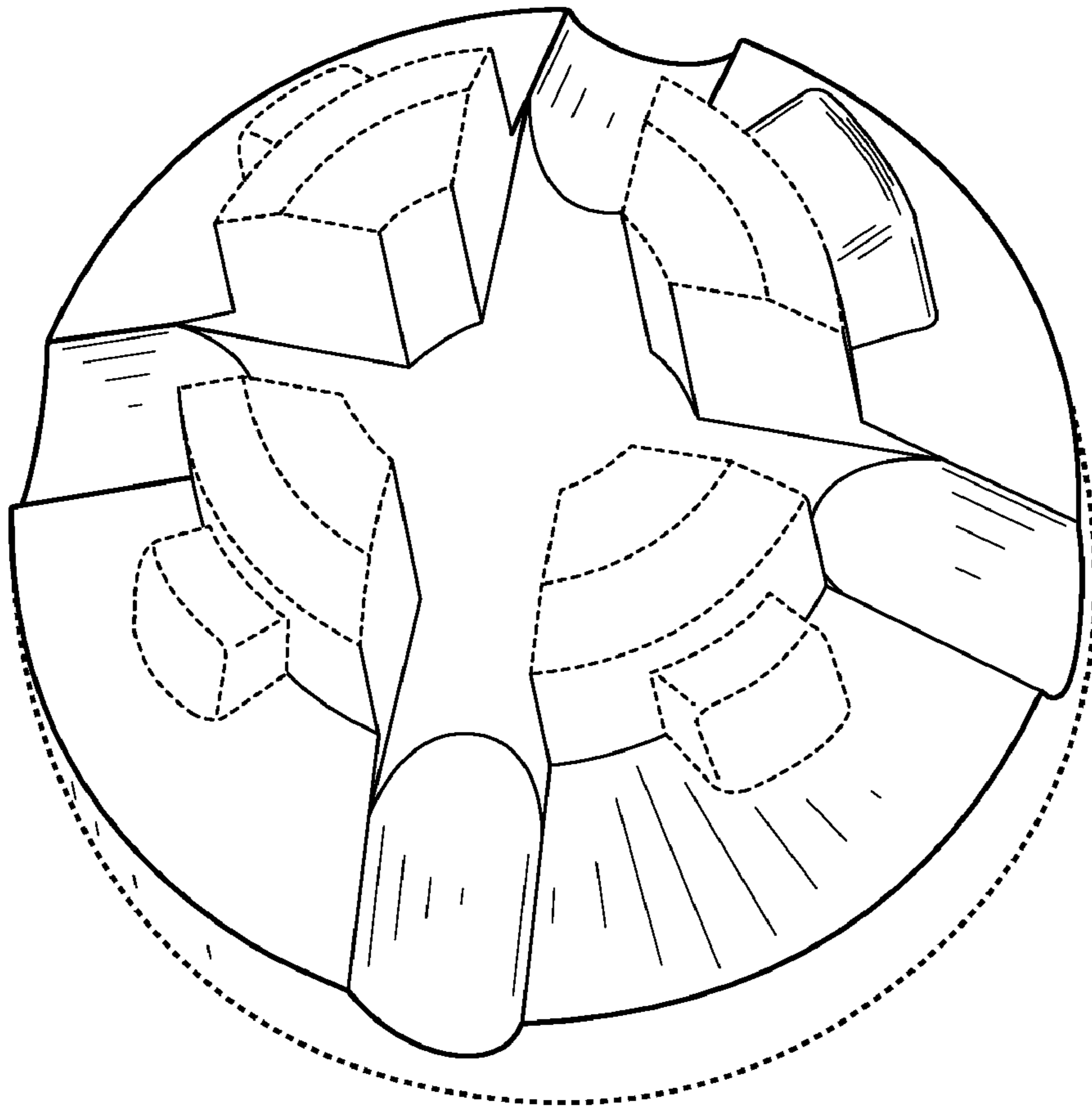


FIG. 1

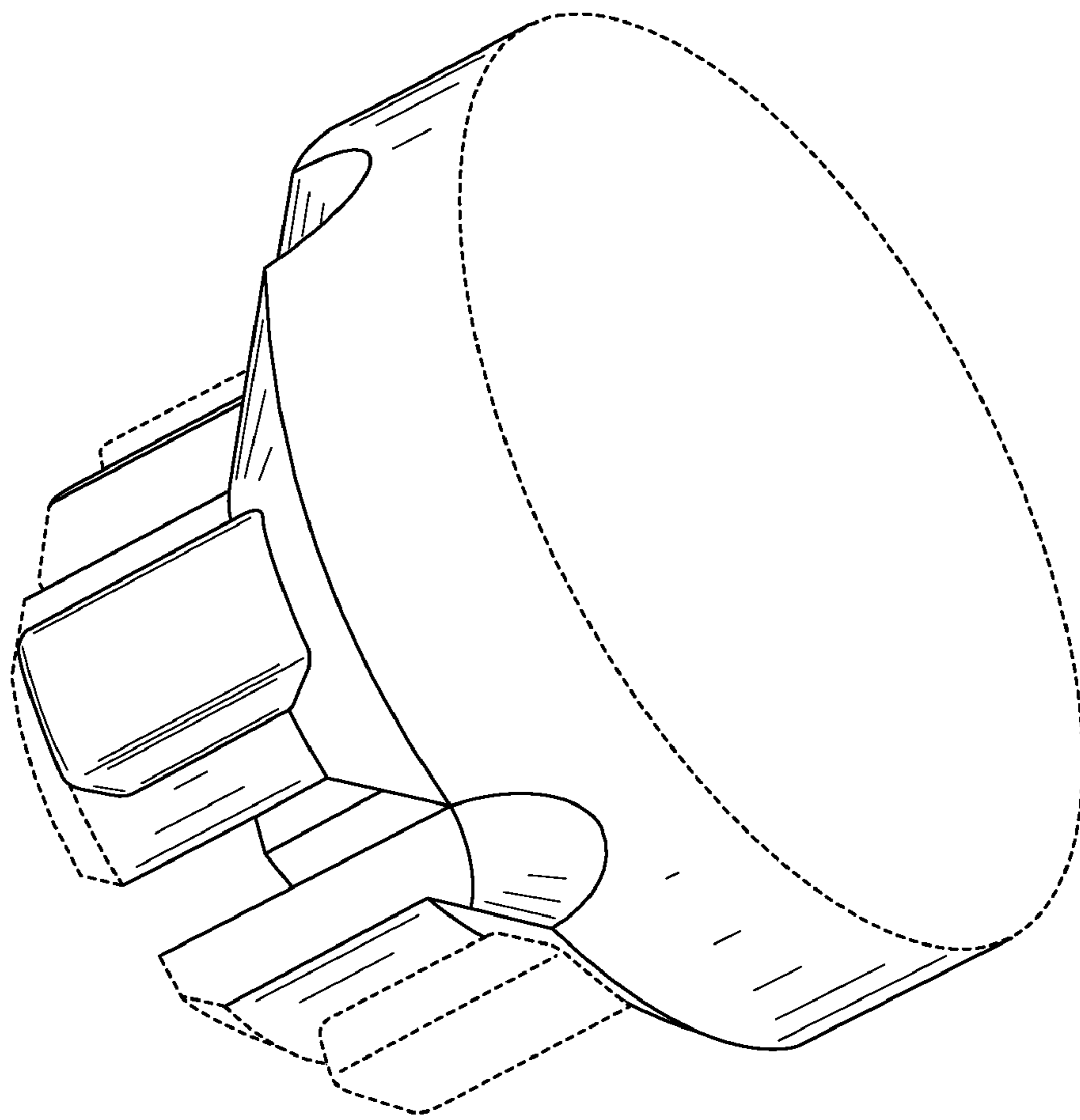


FIG. 2

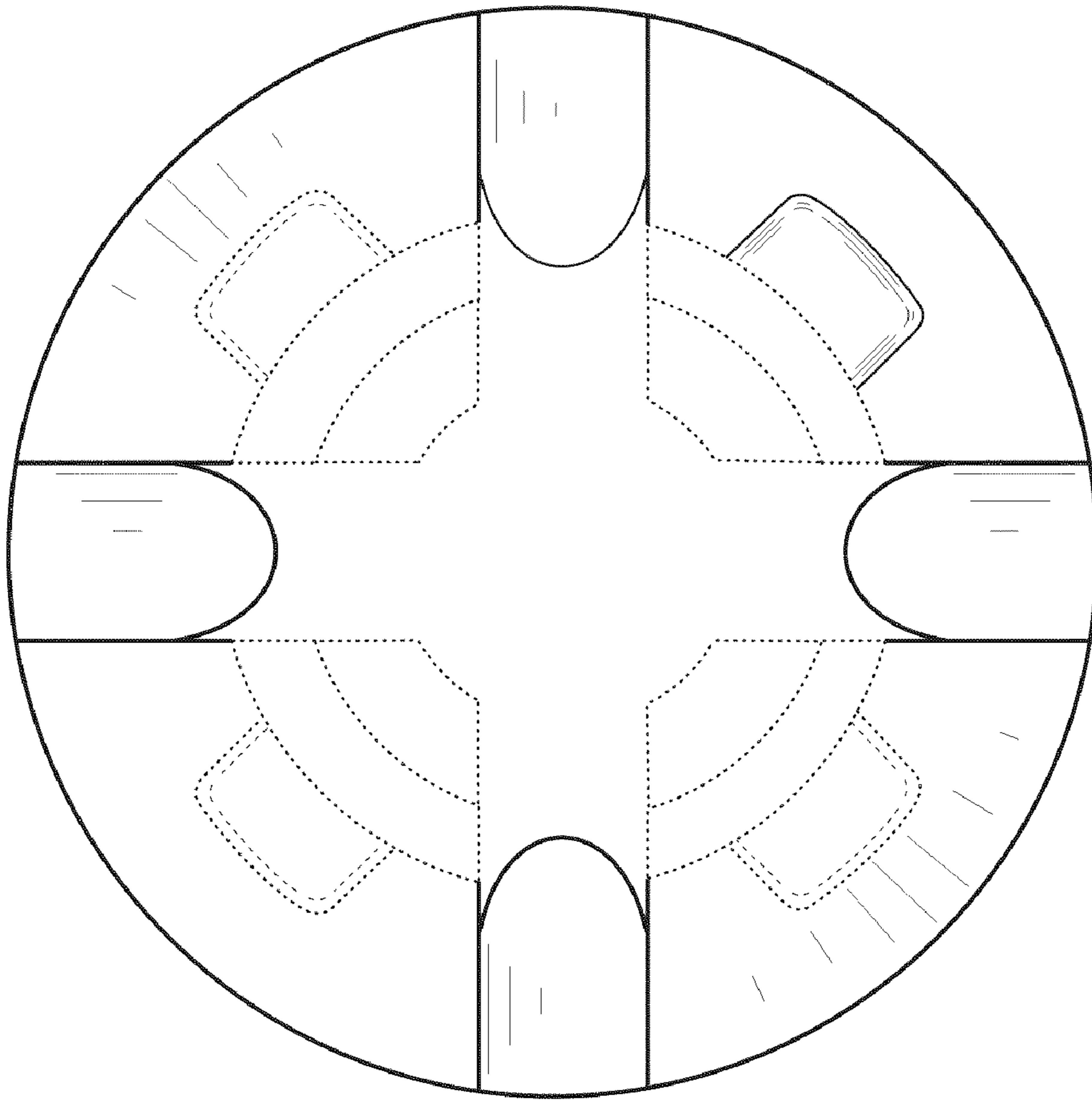


FIG. 3

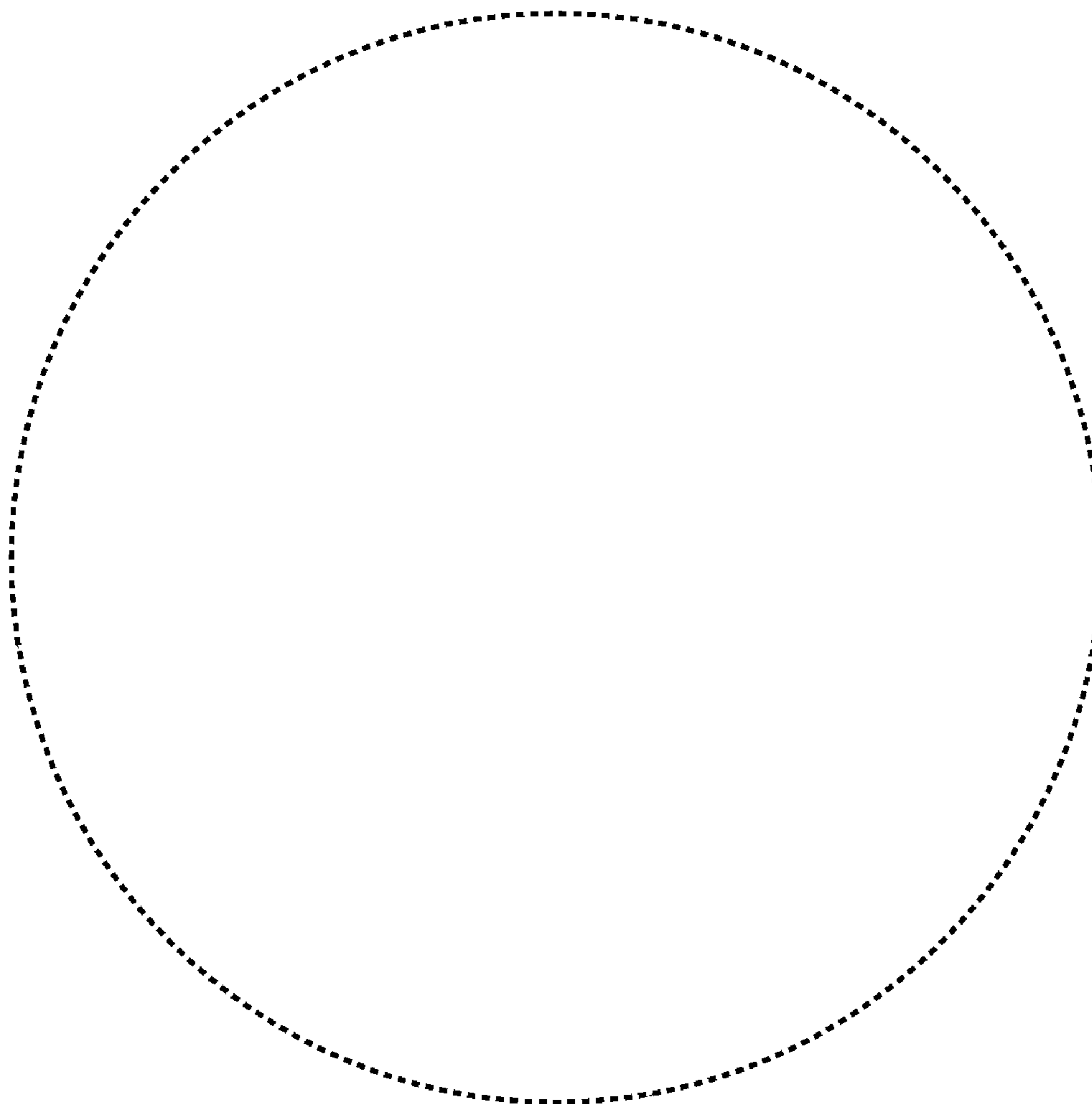


FIG. 4

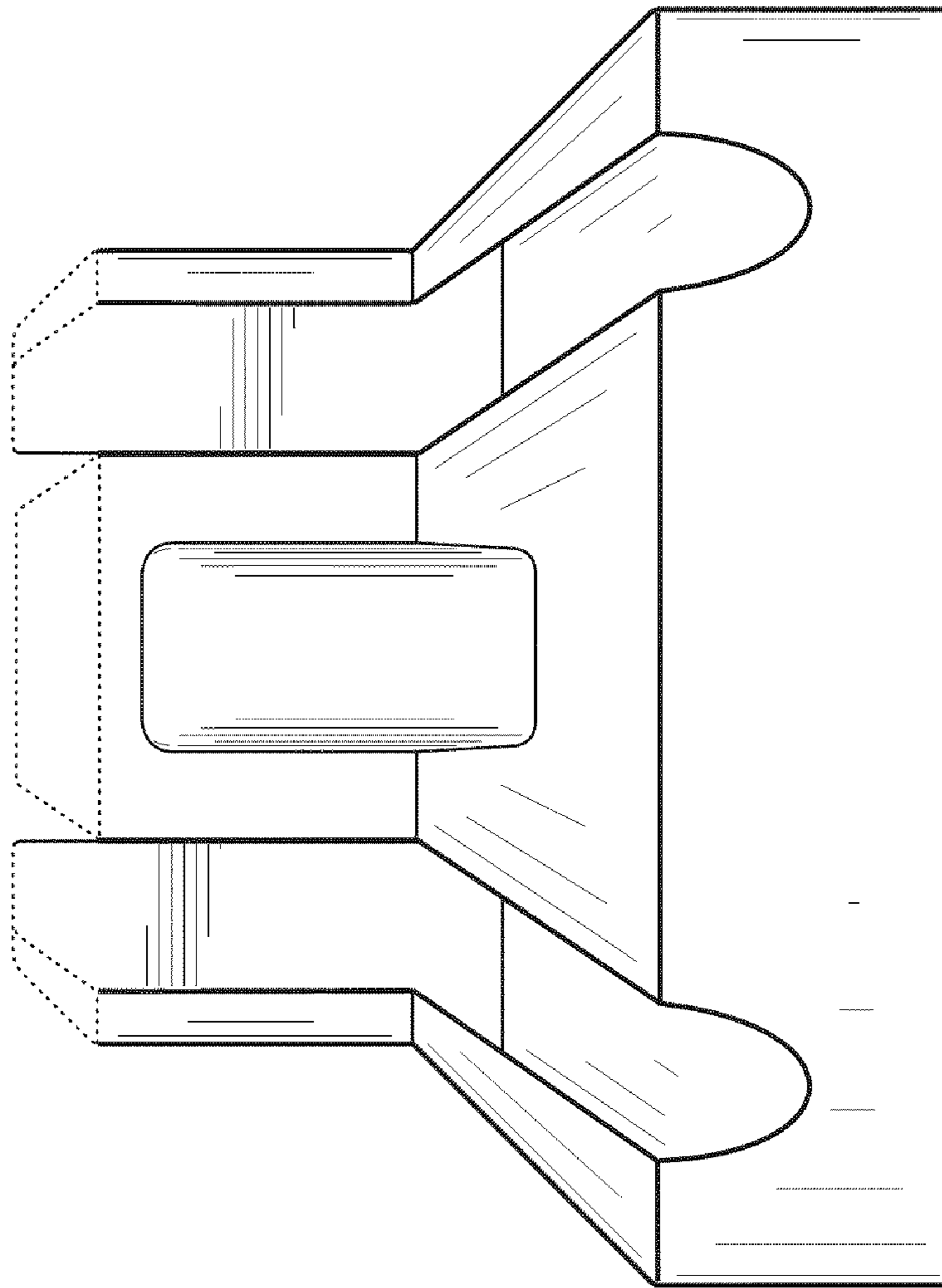


FIG. 5

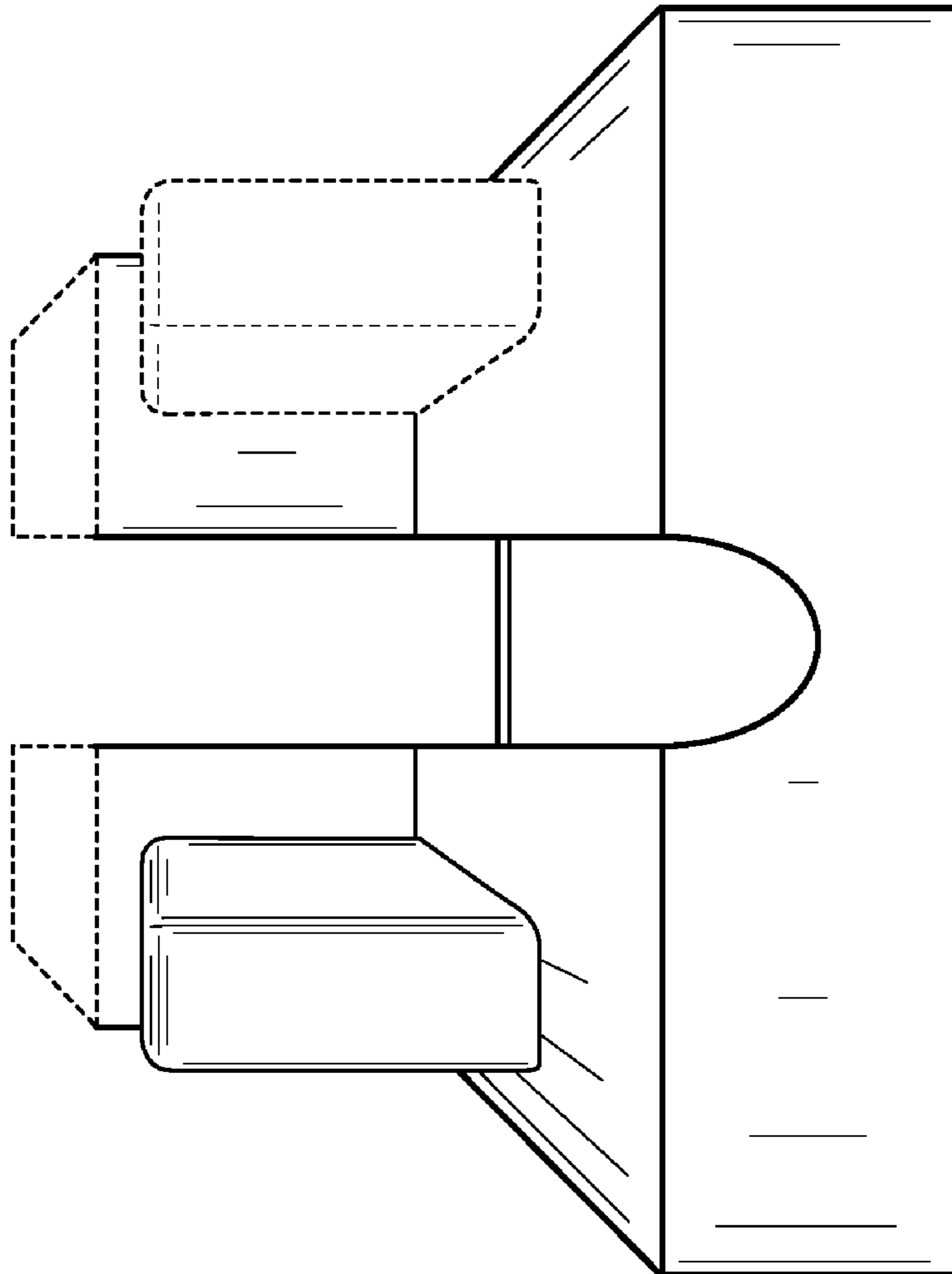


FIG. 6

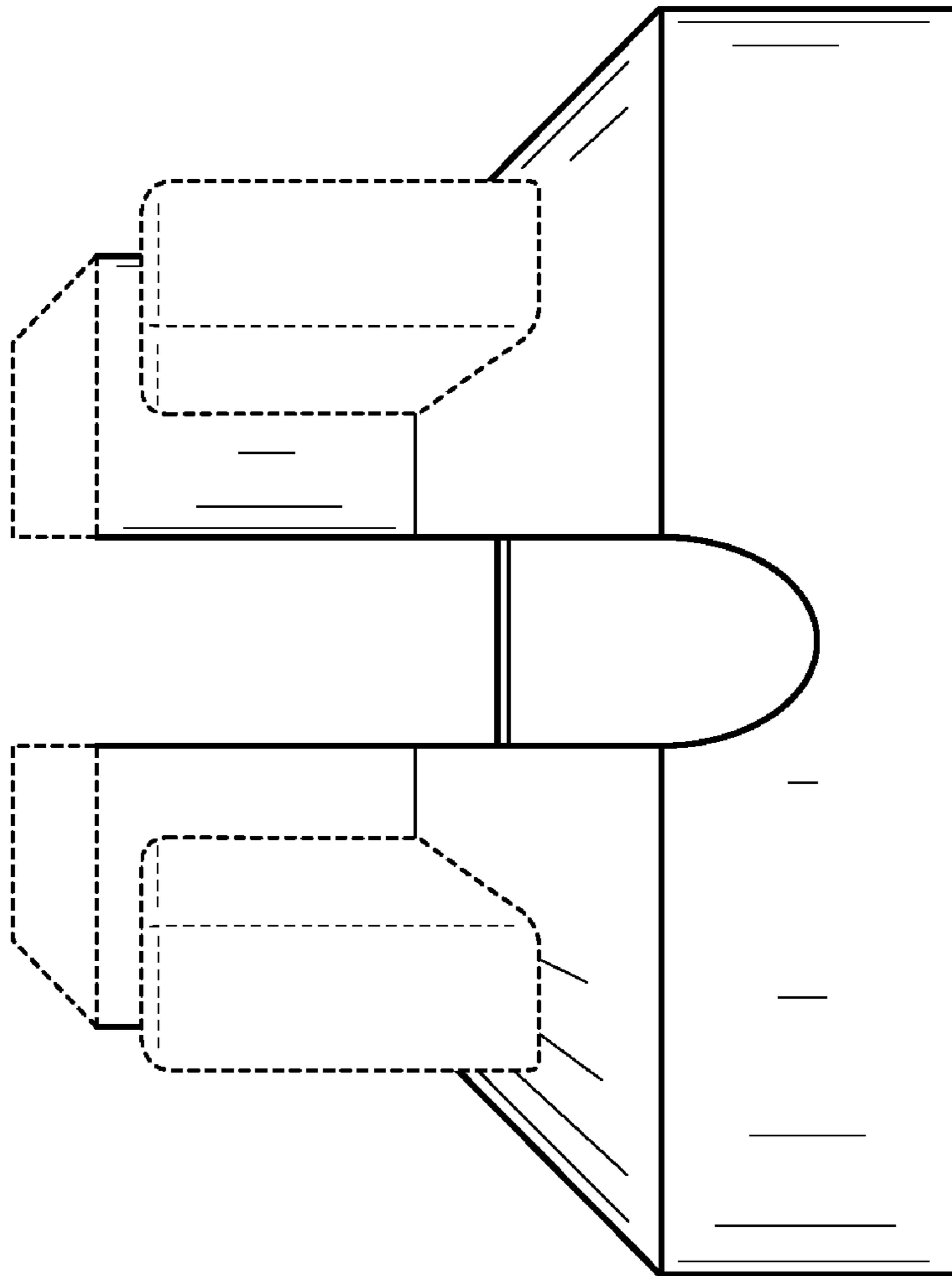


FIG. 7

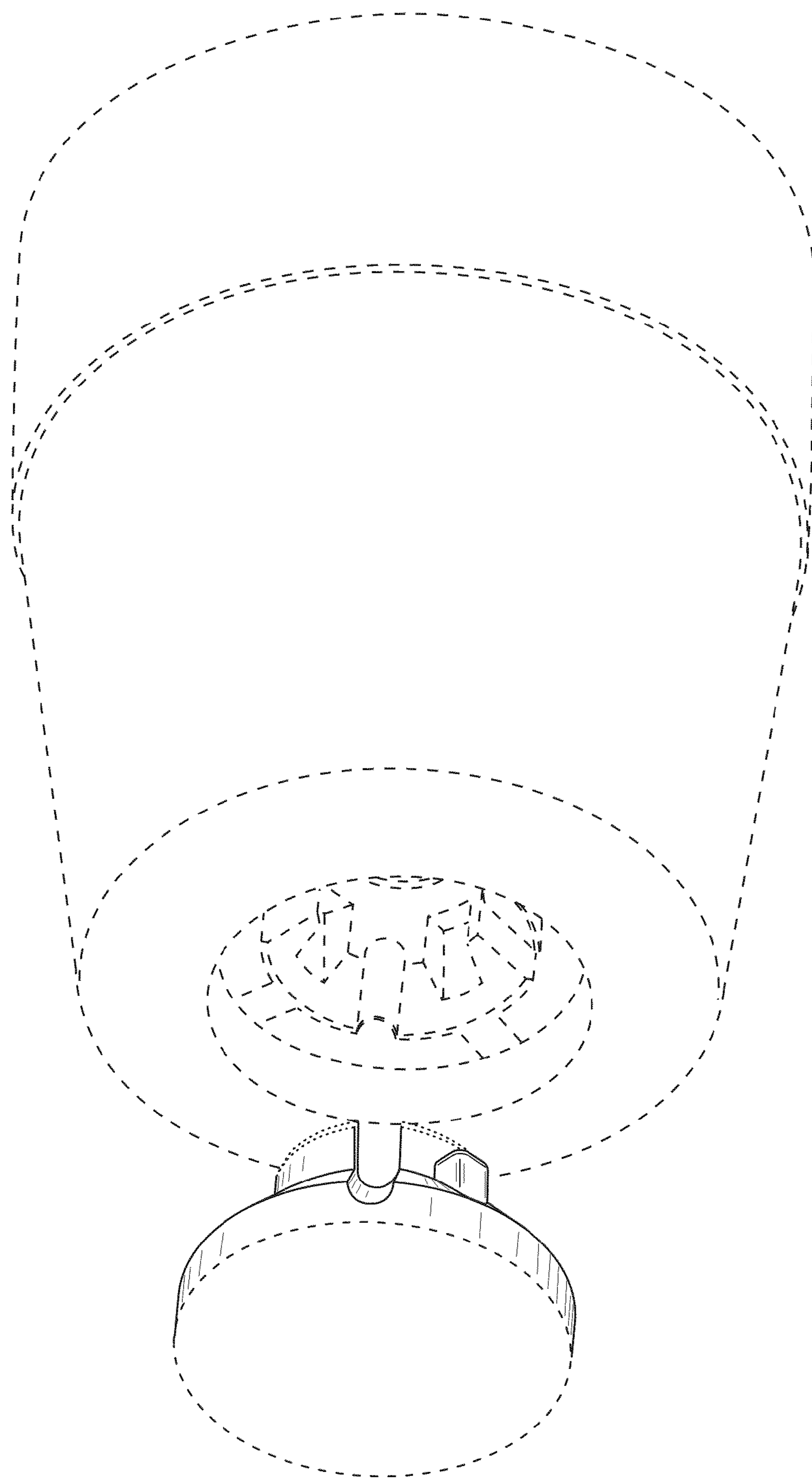


FIG. 8