



US00D616092S

(12) **United States Design Patent**
Domkowski et al.

(10) **Patent No.:** **US D616,092 S**

(45) **Date of Patent:** **** May 18, 2010**

(54) **SNAP-OVER PORT CAP**

(75) Inventors: **John A. Domkowski**, Kenosha, WI (US); **Gregory G. Pieper**, Waukegan, IL (US); **Glenn A. Caspary**, Lake Villa, IL (US)

(73) Assignee: **Hospira, Inc.**, Lake Forest, IL (US)

(**) Term: **14 Years**

(21) Appl. No.: **29/295,856**

(22) Filed: **Oct. 9, 2007**

(51) **LOC (9) Cl.** **24-02**

(52) **U.S. Cl.** **D24/129**

(58) **Field of Classification Search** D9/435, D9/439, 443, 444, 445, 448, 452, 454; D24/107, D24/108, 121, 127, 129, 216, 224; 215/230; 220/780; 222/153.07; 264/524; 285/3; 604/247, 604/414, 533

See application file for complete search history.

(56) **References Cited**

U.S. PATENT DOCUMENTS

4,140,148	A *	2/1979	Richter	137/240
D277,825	S *	3/1985	Whatley	D9/436
4,508,367	A *	4/1985	Oreopoulos et al.	285/3
5,377,853	A *	1/1995	Papciak	215/230
D364,564	S *	11/1995	Moore	D9/429
5,637,083	A *	6/1997	Bertrand et al.	604/9
5,649,645	A *	7/1997	Demarest et al.	222/153.07
5,947,954	A *	9/1999	Bonaldo	604/533
D433,130	S *	10/2000	Cude et al.	D24/121
D466,607	S *	12/2002	Cise et al.	D24/110
D476,747	S *	7/2003	Savion et al.	D24/216
D482,616	S *	11/2003	Faubion	D9/448

D495,060	S *	8/2004	Hellstrom	D24/224
D554,503	S *	11/2007	Kerman et al.	D9/438
D562,132	S *	2/2008	LaMasney	D9/443
2005/0256460	A1 *	11/2005	Rome et al.	604/247
2006/0129179	A1 *	6/2006	Weber et al.	606/194
2007/0102850	A1 *	5/2007	Vogel et al.	264/524
2009/0084804	A1 *	4/2009	Caspary et al.	220/780
2009/0177177	A1 *	7/2009	Zinger et al.	604/414

FOREIGN PATENT DOCUMENTS

GB 3001300 * 2/2002

* cited by examiner

Primary Examiner—Elizabeth A Albert

Assistant Examiner—Karen E Eldridge Powers

(74) *Attorney, Agent, or Firm*—Michael R. Crabb

(57) **CLAIM**

We claim the ornamental design for a snap-over port cap, as shown and described.

DESCRIPTION

FIG. 1 is a perspective view of a snap-over port cap showing our new design.

FIG. 2 is an enlarged bottom perspective view thereof;

FIG. 3 is an enlarged top perspective view thereof;

FIG. 4 is an enlarged top plan view thereof;

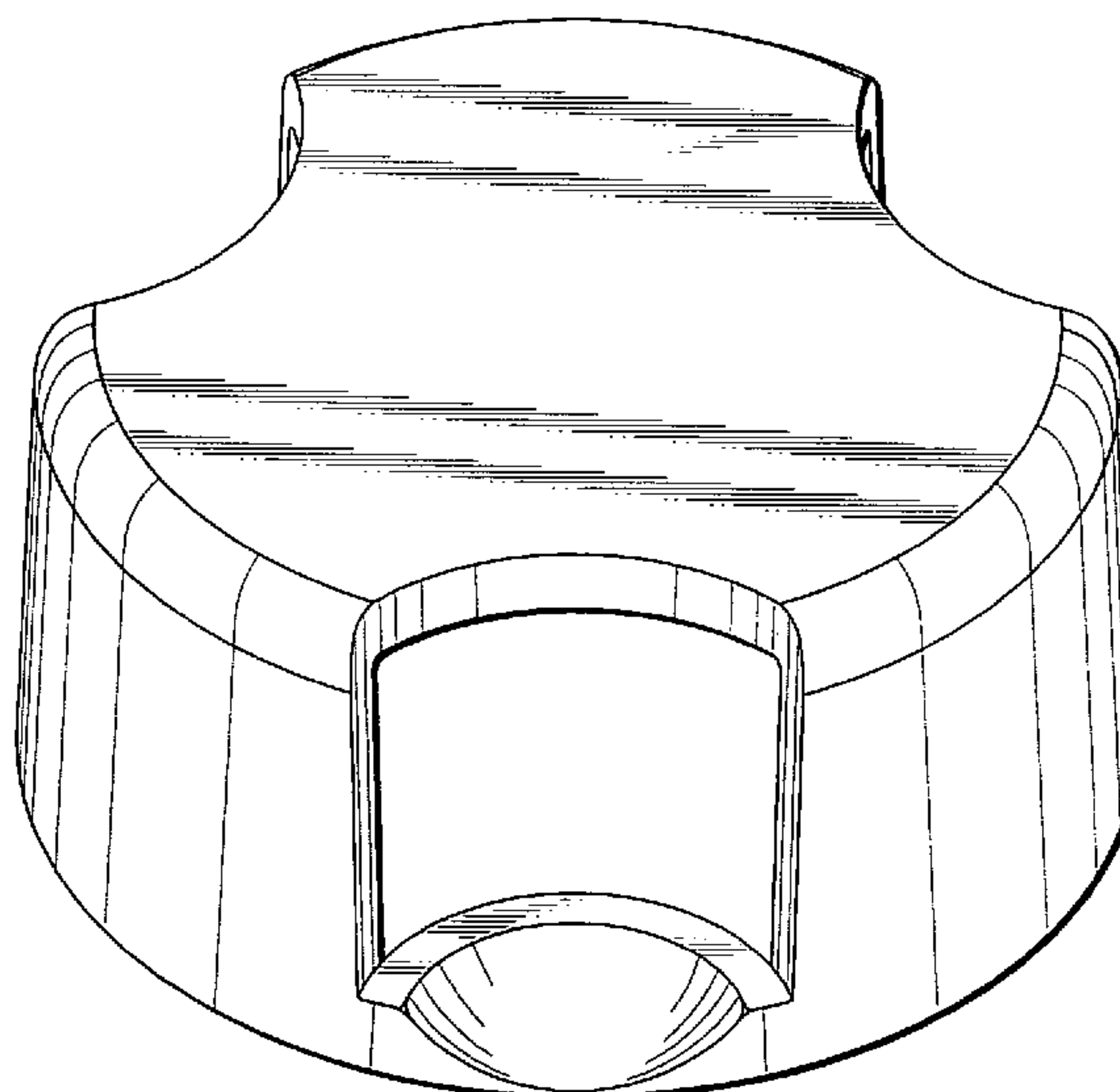
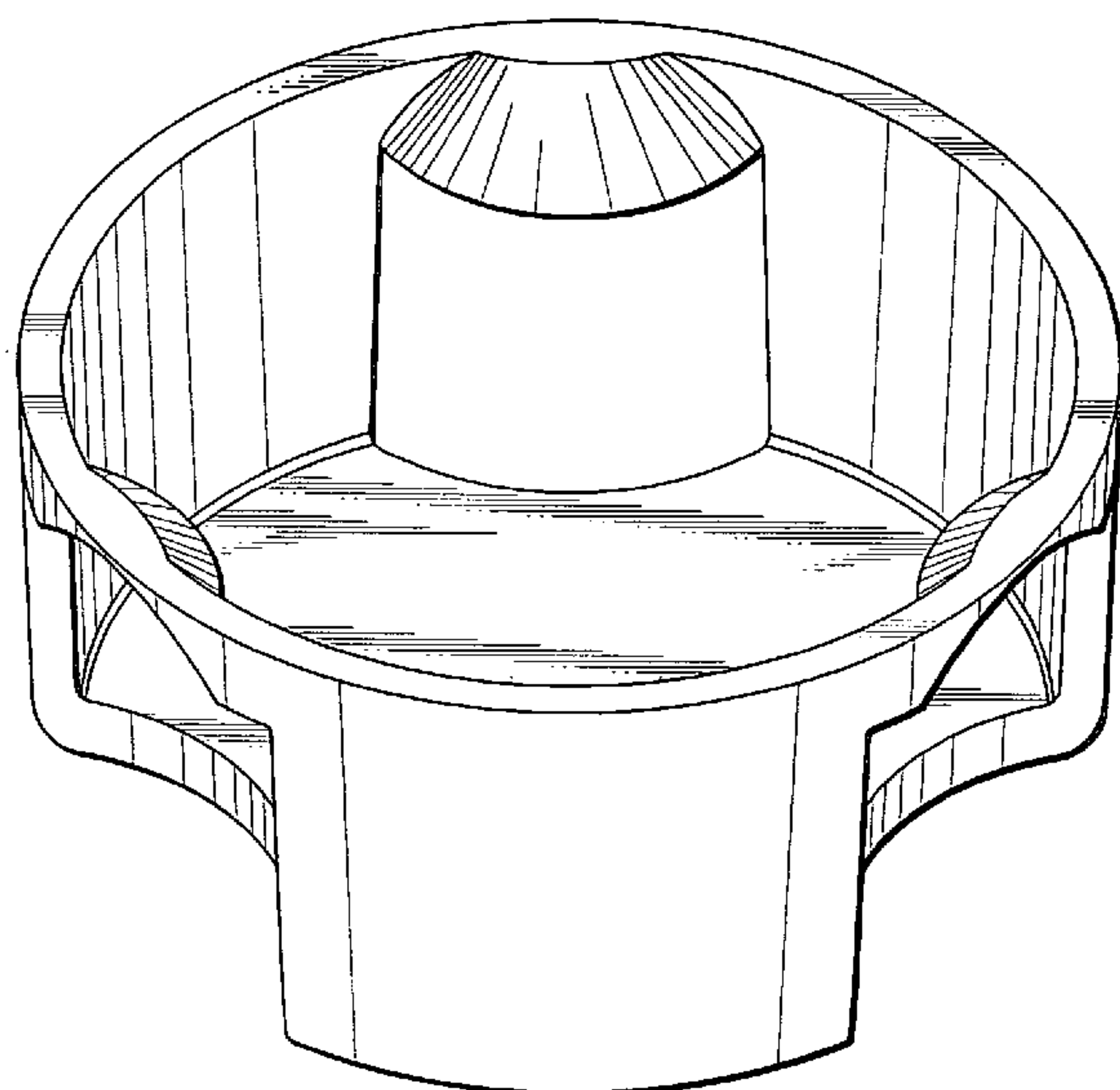
FIG. 5 is an enlarged bottom plan view thereof;

FIG. 6 is an enlarged front elevational view thereof; and,

FIG. 7 is a rear elevational view thereof.

The broken lines in the drawings illustrate environmental matter and form no part of the claimed design.

1 Claim, 4 Drawing Sheets



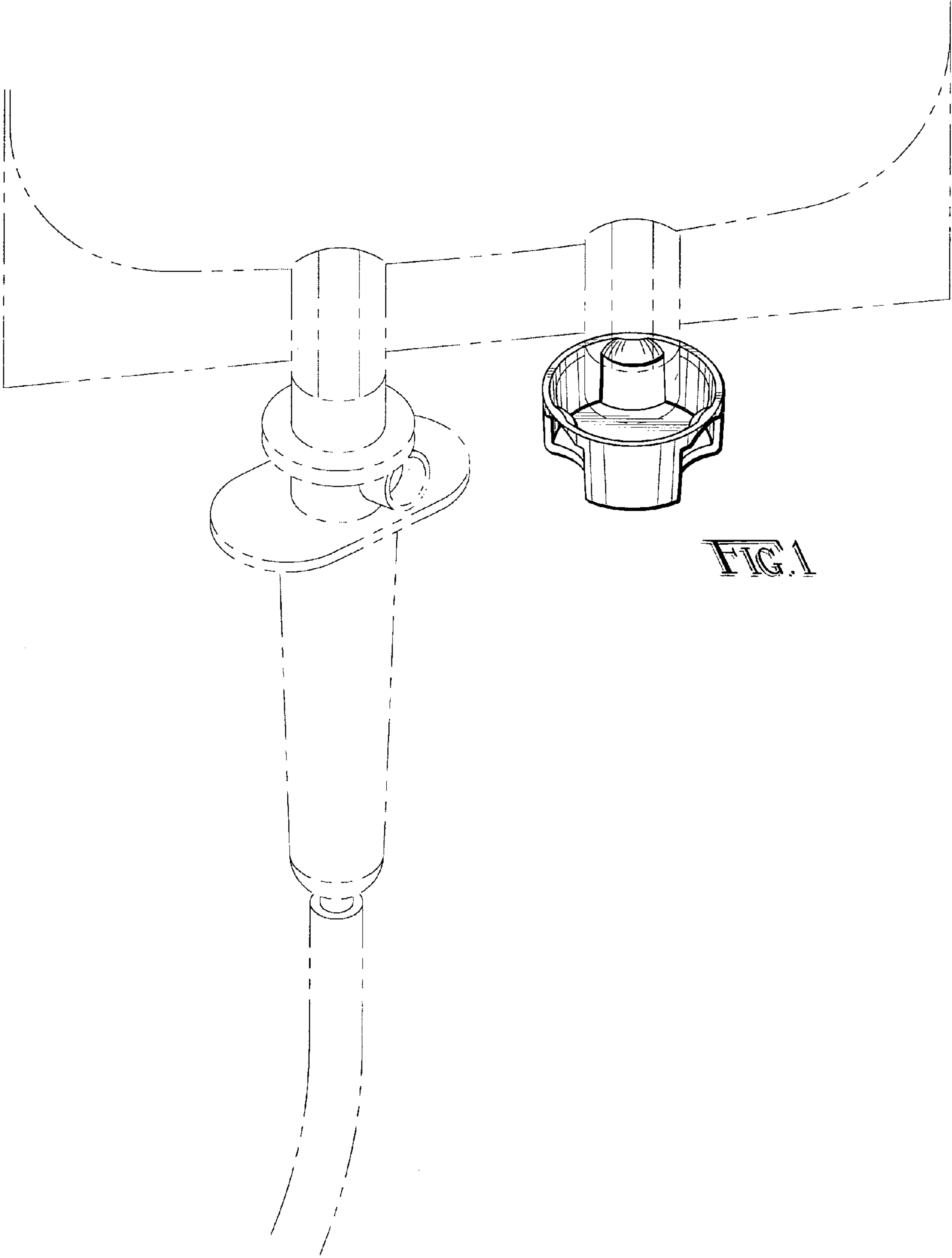


FIG. 1

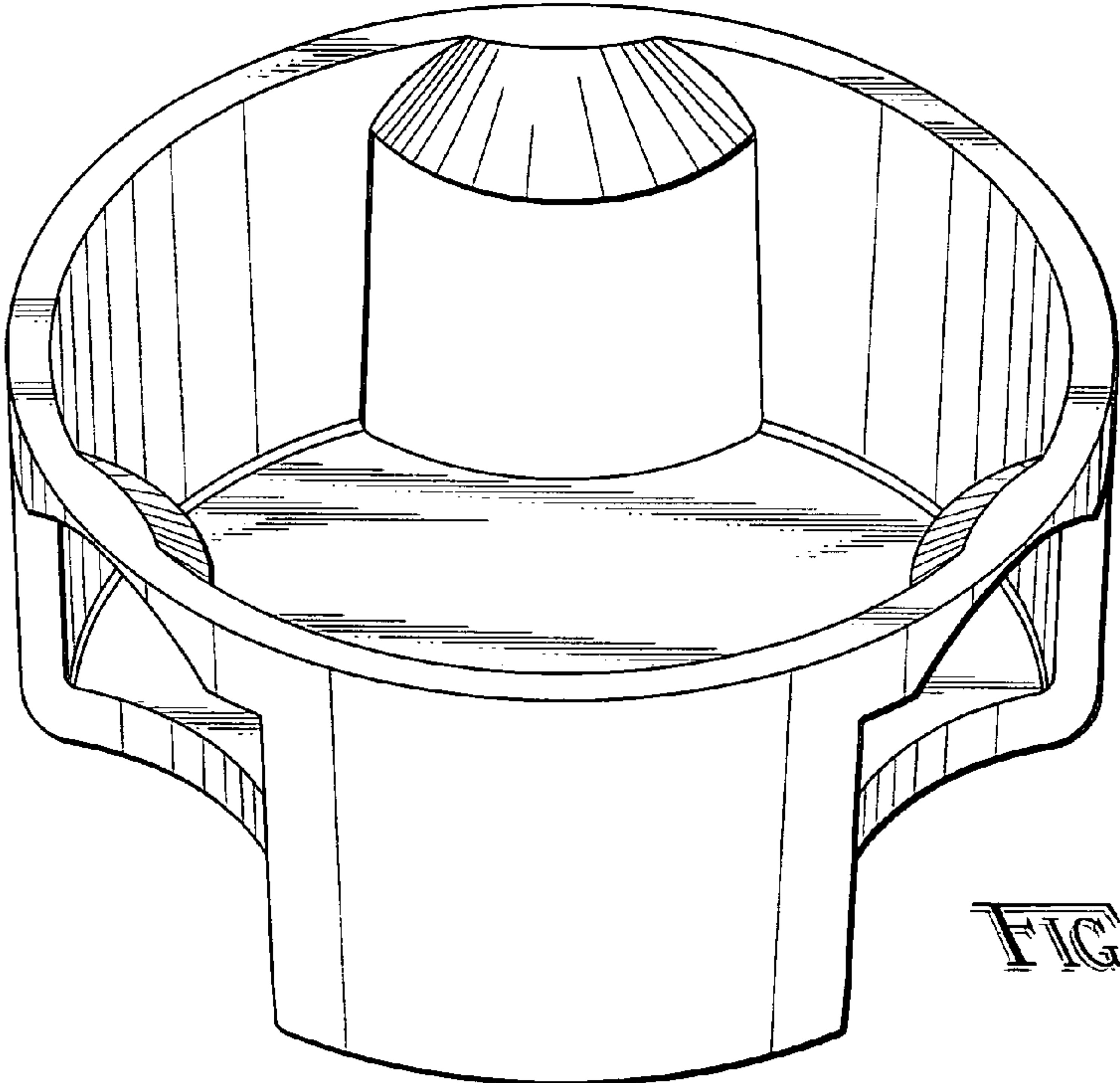


FIG. 2

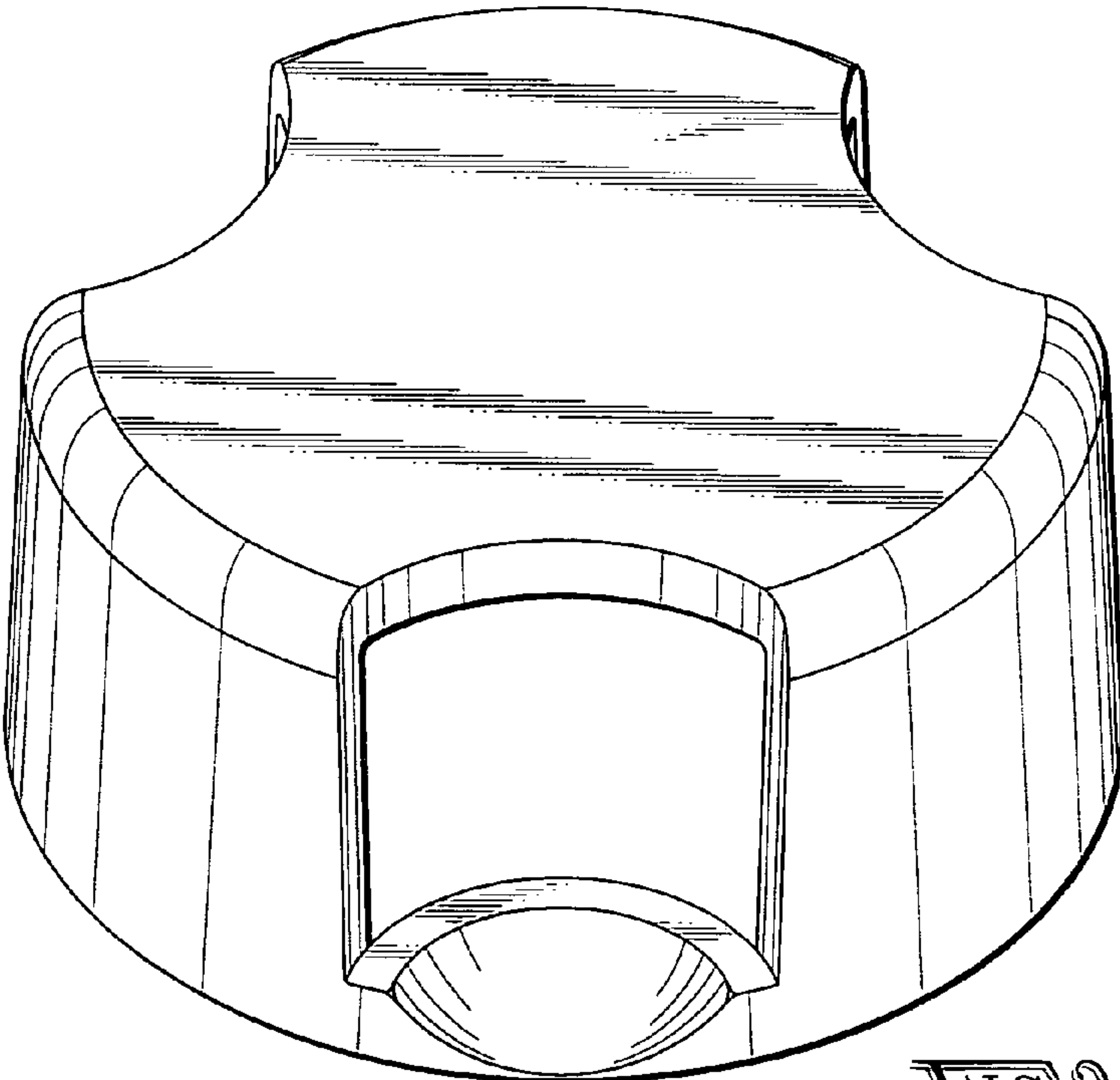


FIG. 3

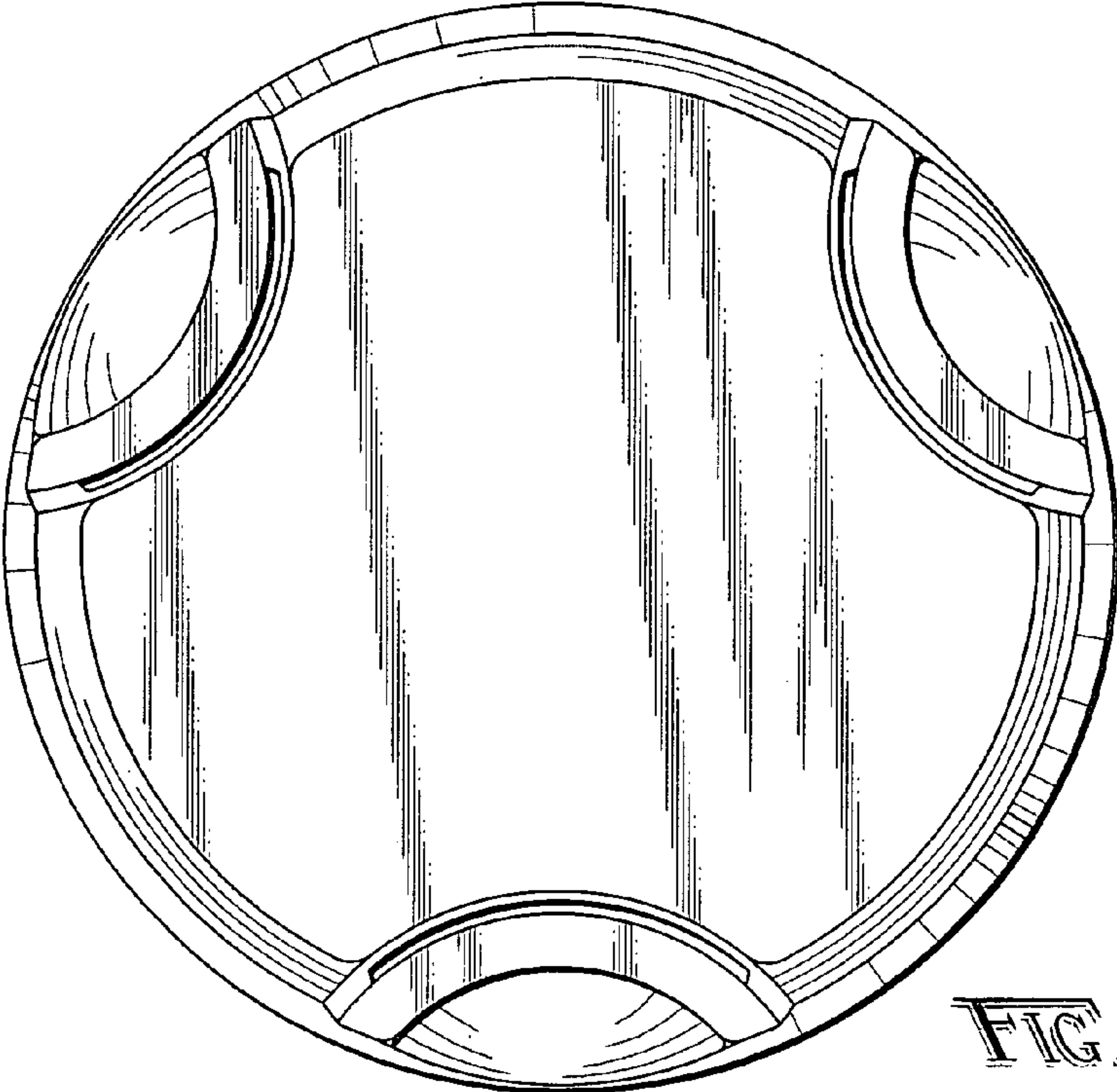


FIG. 4

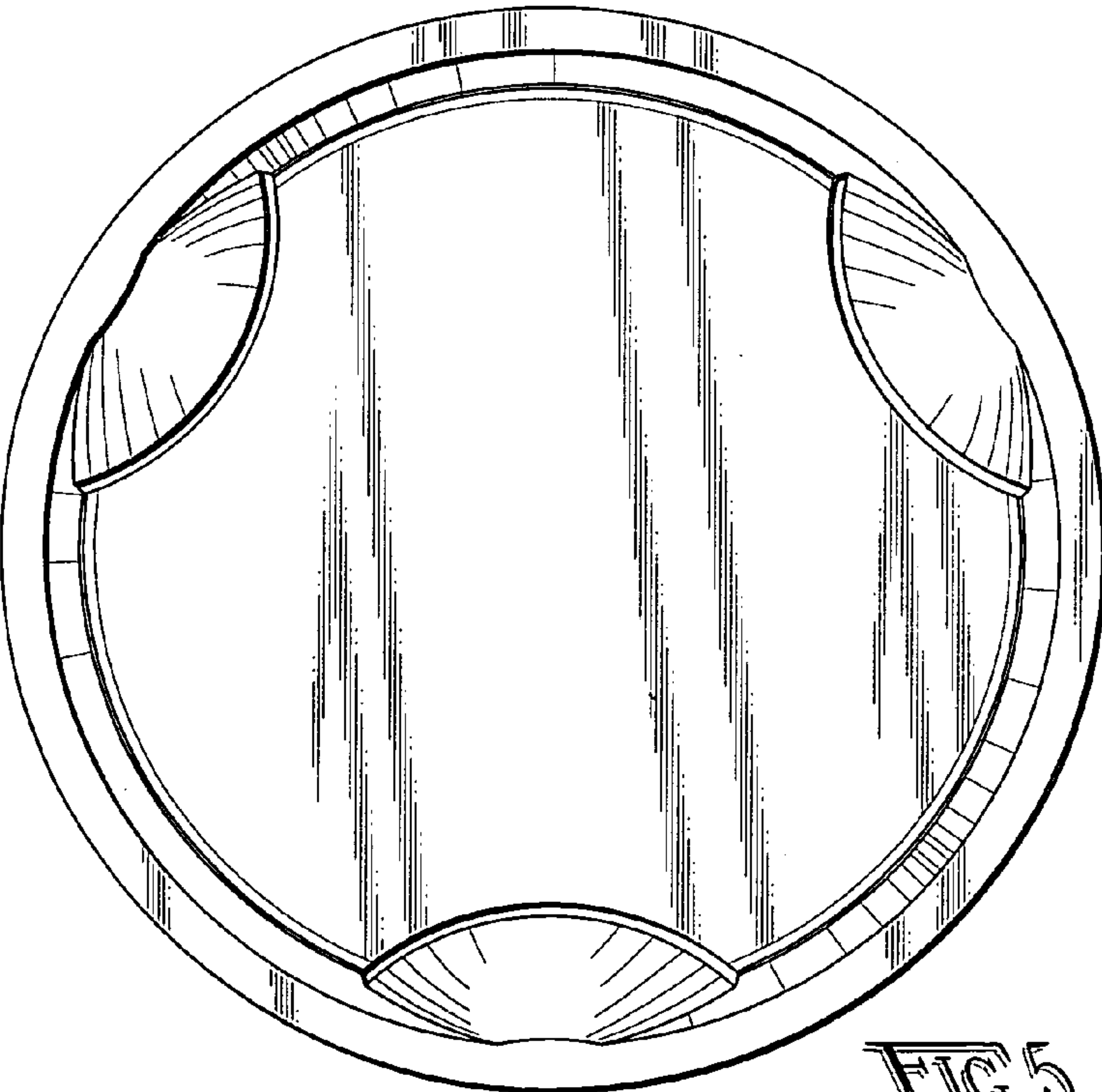


FIG. 5

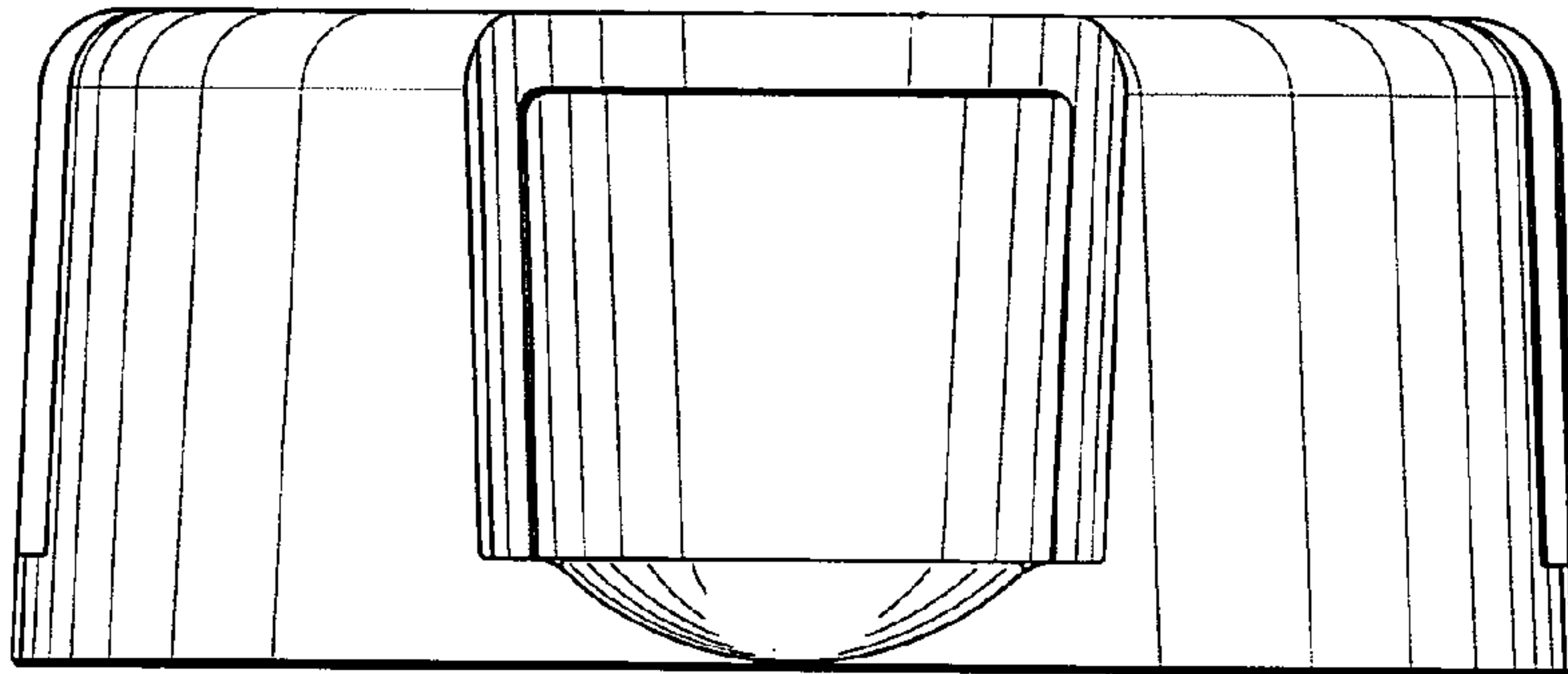


FIG. 6

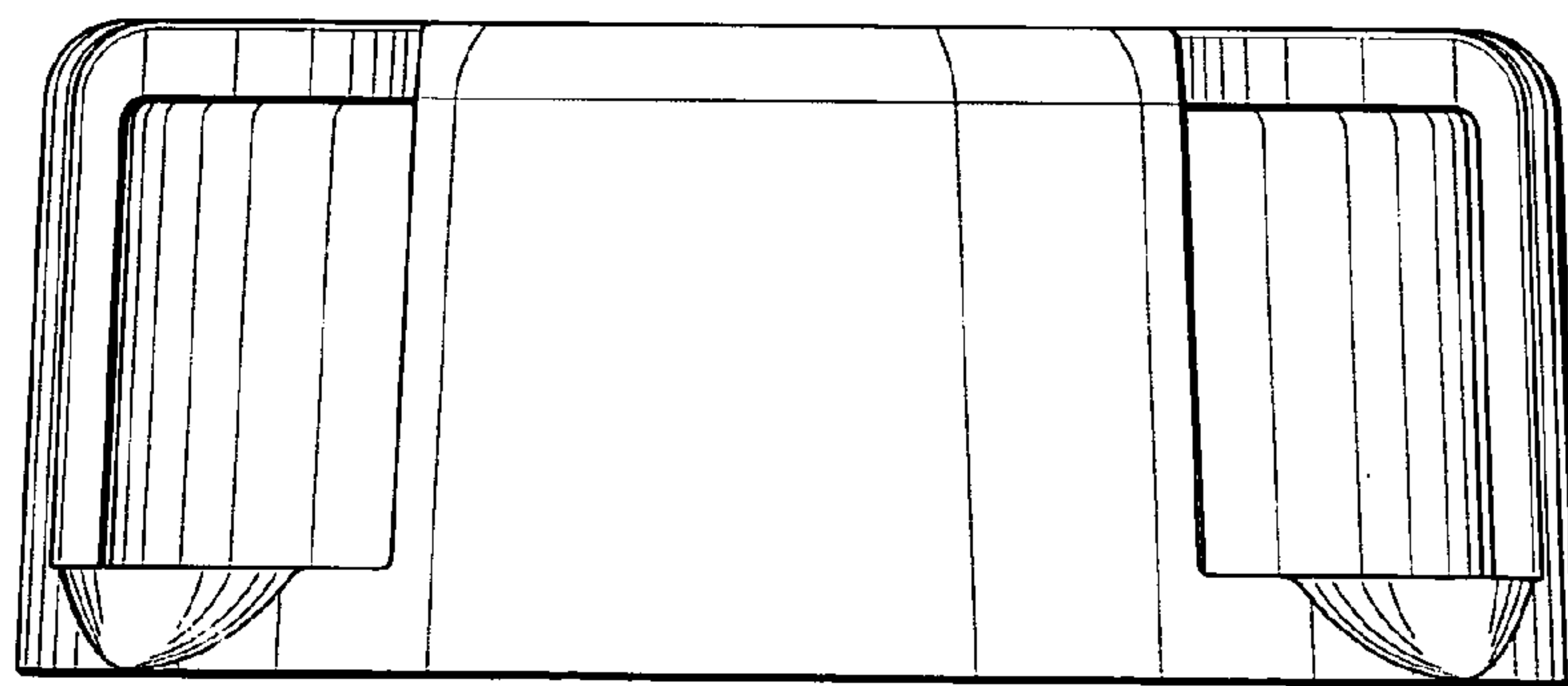


FIG. 7