



US00D616090S

(12) **United States Design Patent**
Kawamura

(10) **Patent No.:** **US D616,090 S**

(45) **Date of Patent:** **** May 18, 2010**

(54) **SEALING DEVICE FOR MEDICINE
CONTAINER OR MEDICAL APPARATUS**

(75) Inventor: **Hideaki Kawamura**, Sumida-ku (JP)

(73) Assignee: **Daikyo Seiko, Ltd.**, Tokyo (JP)

(**) Term: **14 Years**

(21) Appl. No.: **29/307,546**

(22) Filed: **Apr. 25, 2008**

(30) **Foreign Application Priority Data**

Oct. 29, 2007 (JP) 2007-029705

(51) **LOC (9) Cl.** **24-02**

(52) **U.S. Cl.** **D24/127; D9/452**

(58) **Field of Classification Search** D9/434,
D9/435, 439, 443, 444, 445, 448, 452, 454;
D24/107, 108, 121, 127, 129, 130, 216, 224;
206/219; 215/230; 220/780; 222/153.07;
264/524; 285/3; 604/247, 414, 533

See application file for complete search history.

(56) **References Cited**

U.S. PATENT DOCUMENTS

2,494,456	A *	1/1950	Still	604/416
D254,446	S *	3/1980	Raitto	D24/130
D267,632	S *	1/1983	French	D9/434
D312,784	S *	12/1990	Cochran et al.	D9/434
5,377,853	A *	1/1995	Papciak	215/230
D402,766	S *	12/1998	Smith et al.	D24/227
D405,192	S *	2/1999	Smith et al.	D24/227
D445,501	S *	7/2001	Niedospial, Jr.	D24/129
D472,143	S *	3/2003	Martin et al.	D9/434
D480,640	S *	10/2003	Oyama et al.	D9/439
D496,101	S *	9/2004	Davison	D24/130
D518,373	S *	4/2006	Schulthess	D9/434
D547,443	S *	7/2007	Sudo	D24/121
D568,469	S *	5/2008	Sudo	D24/130
D587,999	S *	3/2009	Schulthess	D9/434

D600,120	S *	9/2009	Kawamura	D9/452
D601,444	S *	10/2009	Jones et al.	D10/81
7,614,496	B2 *	11/2009	Dvorak et al.	206/219
D608,900	S *	1/2010	Giraud et al.	D24/216
2003/0089627	A1 *	5/2003	Chelles et al.	206/219
2006/0219736	A1 *	10/2006	Revenu	222/129

* cited by examiner

Primary Examiner—Elizabeth A Albert

Assistant Examiner—Karen E Eldridge Powers

(74) *Attorney, Agent, or Firm*—Chapman and Cutler LLP

(57) **CLAIM**

The ornamental design for a sealing device for medicine container or medical apparatus, as shown and described.

DESCRIPTION

FIG. 1 is a top perspective view of the sealing device for medicine container or medical apparatus showing my new design;

FIG. 2 is a bottom perspective view thereof;

FIG. 3 is a front elevational view thereof;

FIG. 4 is a rear elevational view thereof;

FIG. 5 is a right side elevational view thereof, the left side elevational view thereof being identical thereto;

FIG. 6 is a top plan view thereof;

FIG. 7 is a bottom plan view thereof;

FIG. 8 is a cross-sectional view taken along line 8—8 of FIG. 7;

FIG. 9 is a top perspective view thereof;

FIG. 10 is a bottom perspective view thereof; and,

FIG. 11 is a cross-sectional view taken along line 11—11 of FIG. 7.

The broken lines in the drawings are meant to illustrate the environment in which the claimed design is used, and form no part of the claimed design.

1 Claim, 11 Drawing Sheets

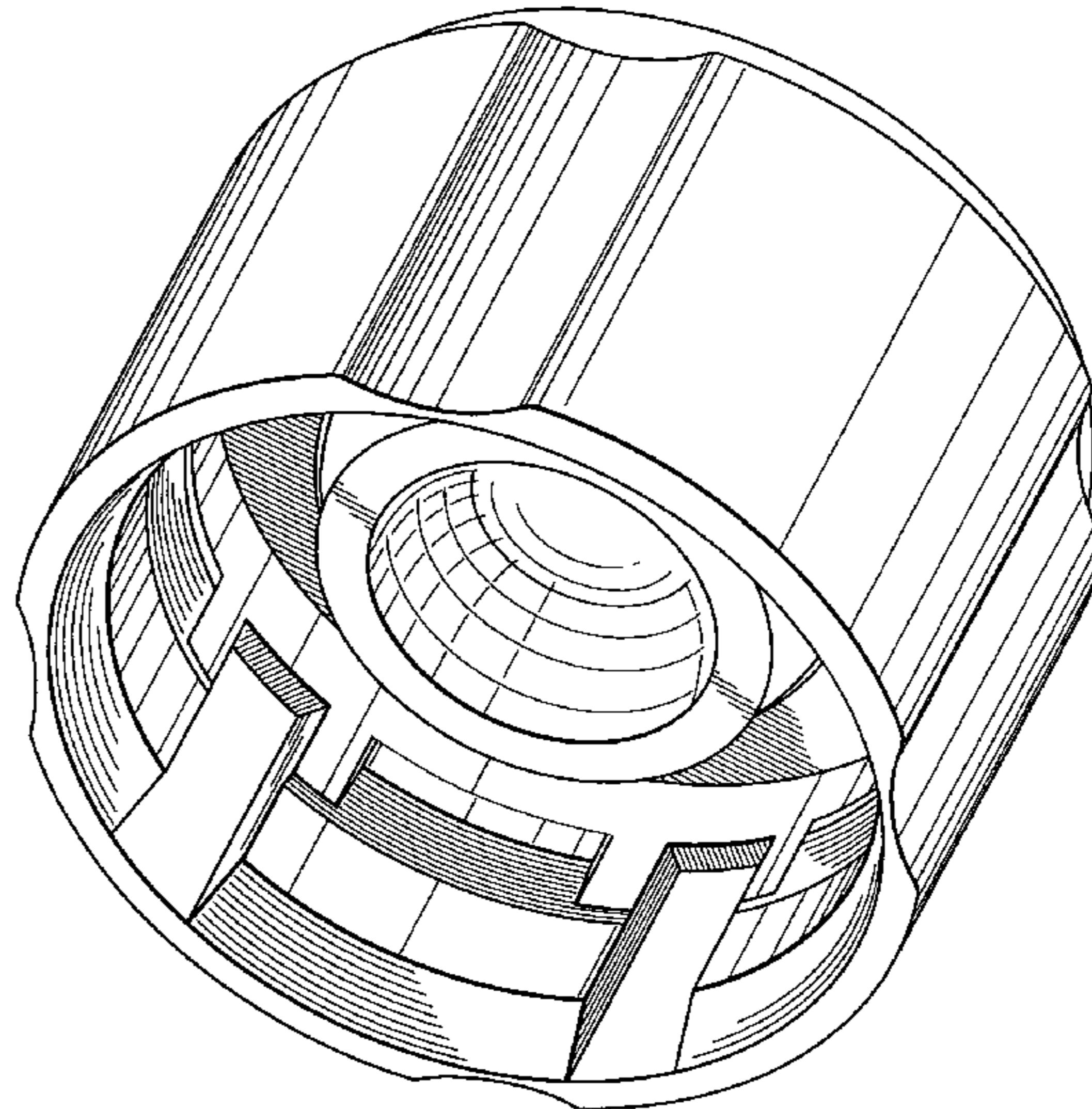
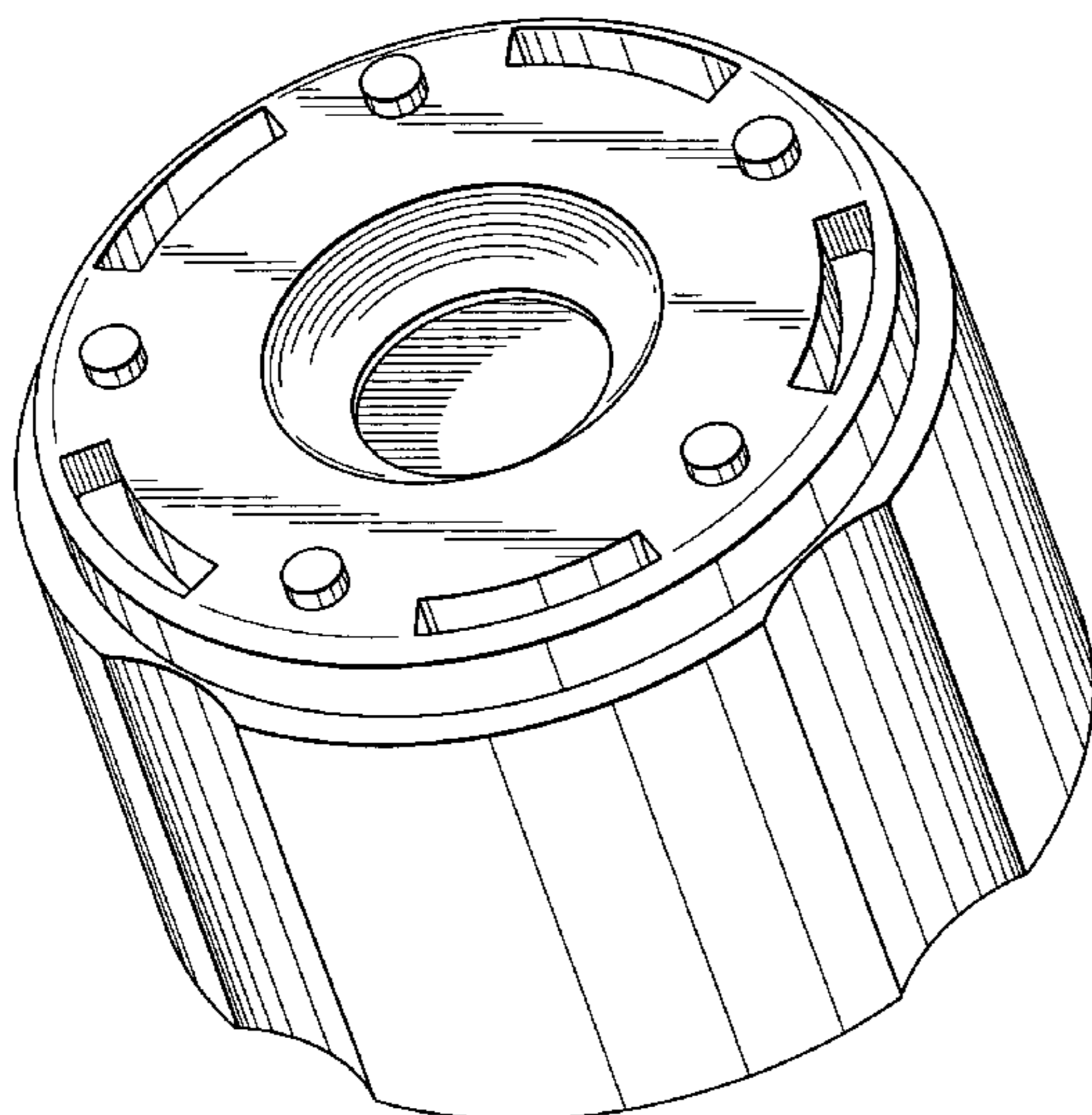


Fig. 1

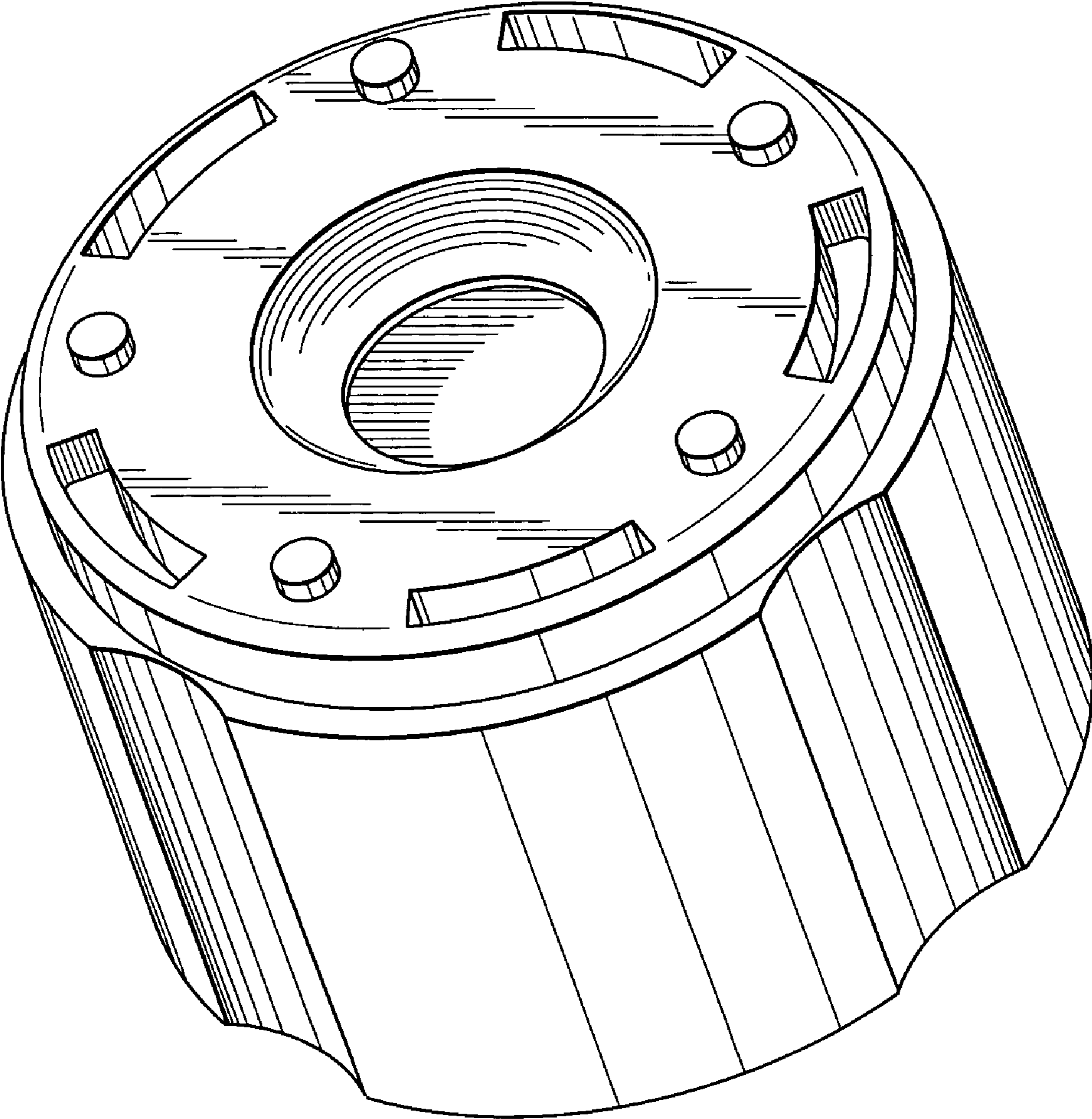


Fig. 2

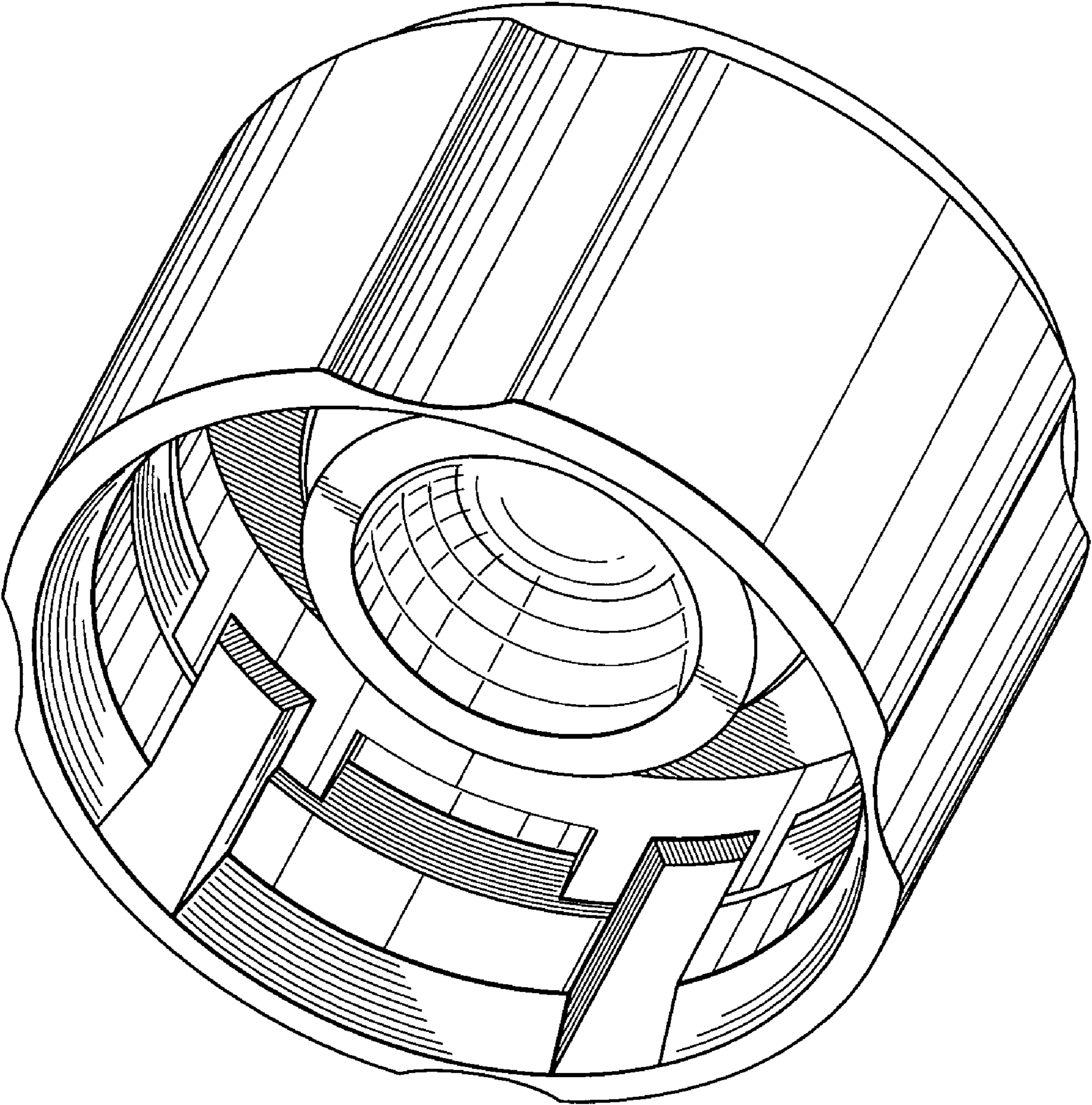


Fig. 3

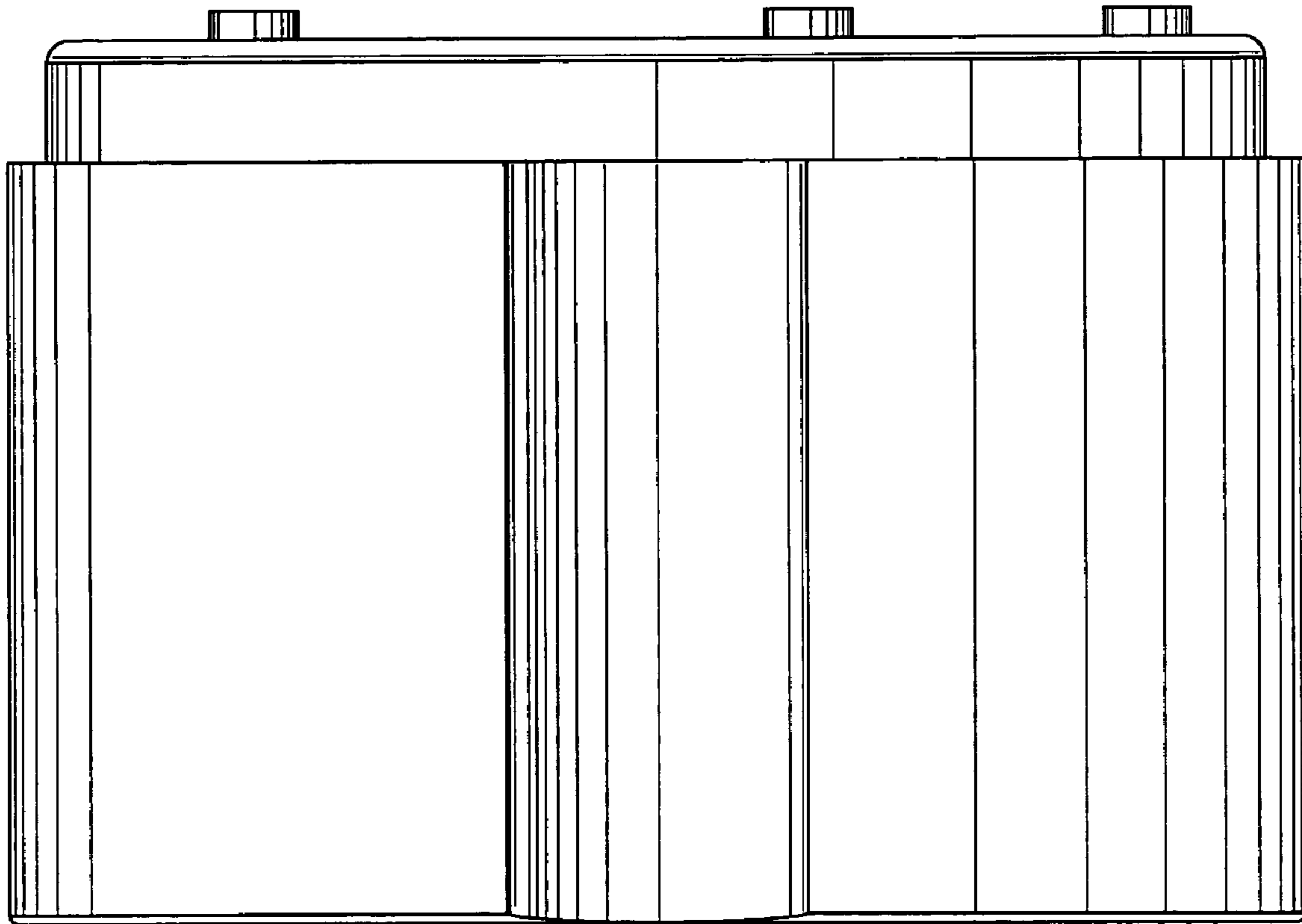


Fig. 4

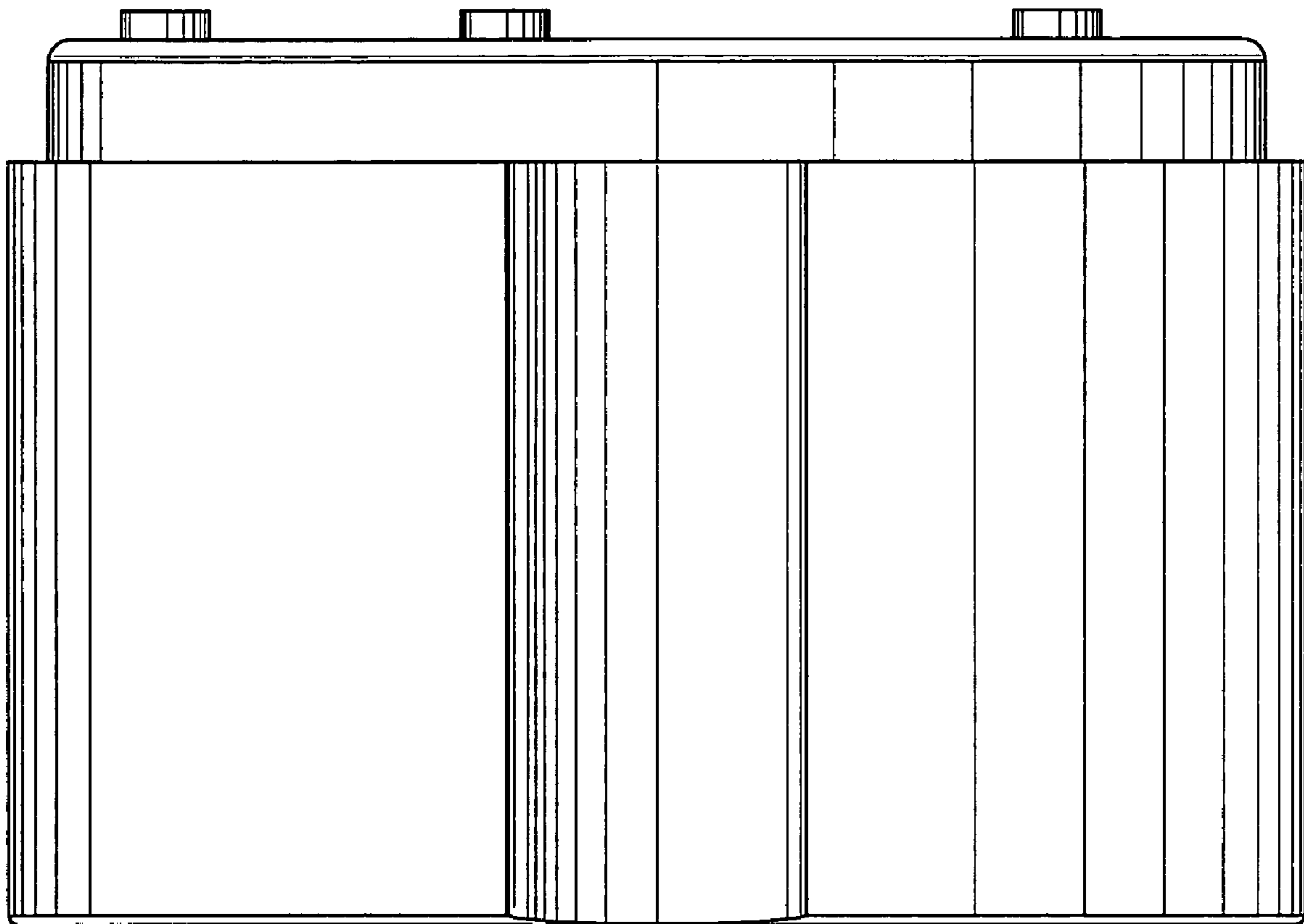


Fig. 5

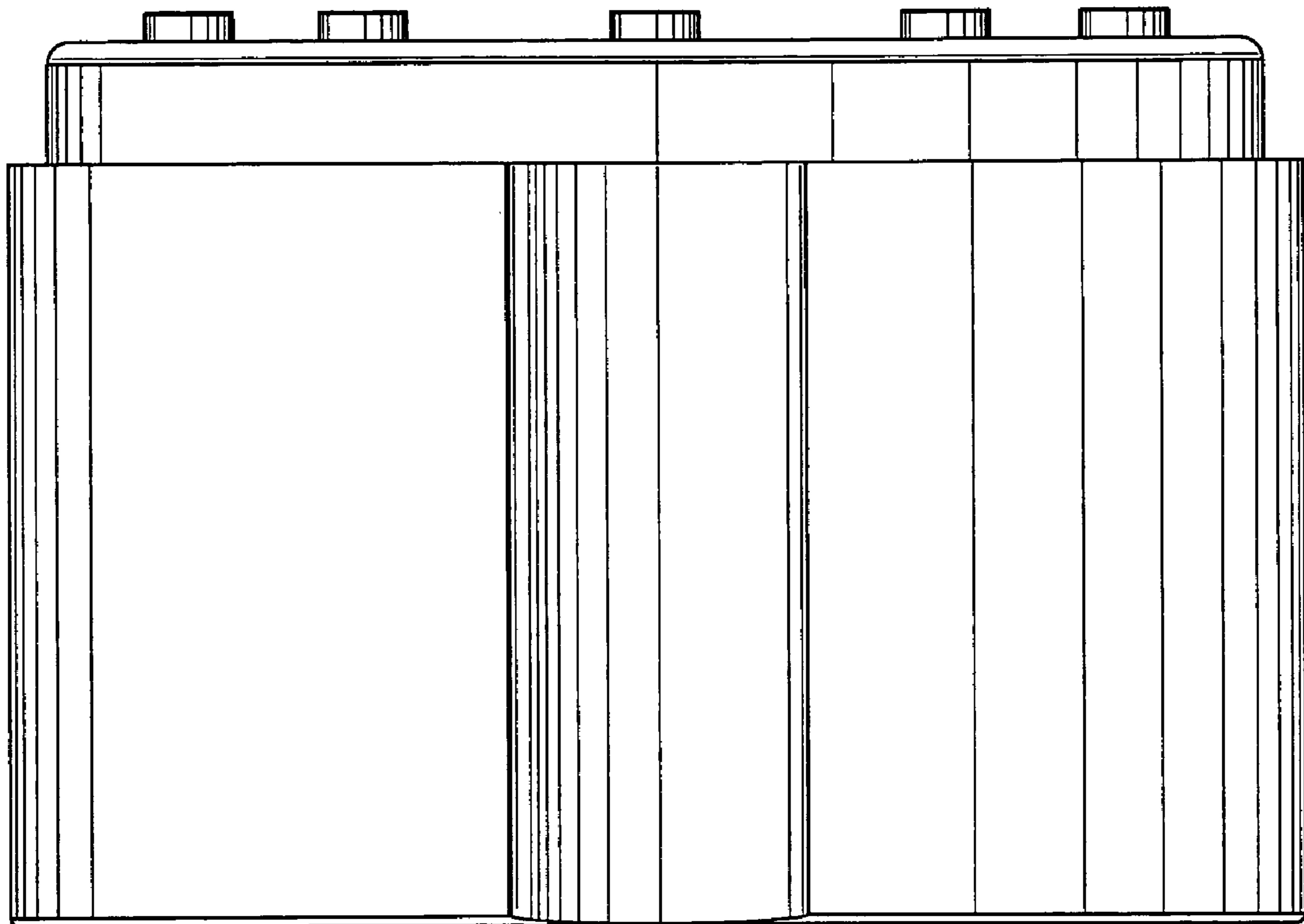


Fig. 6

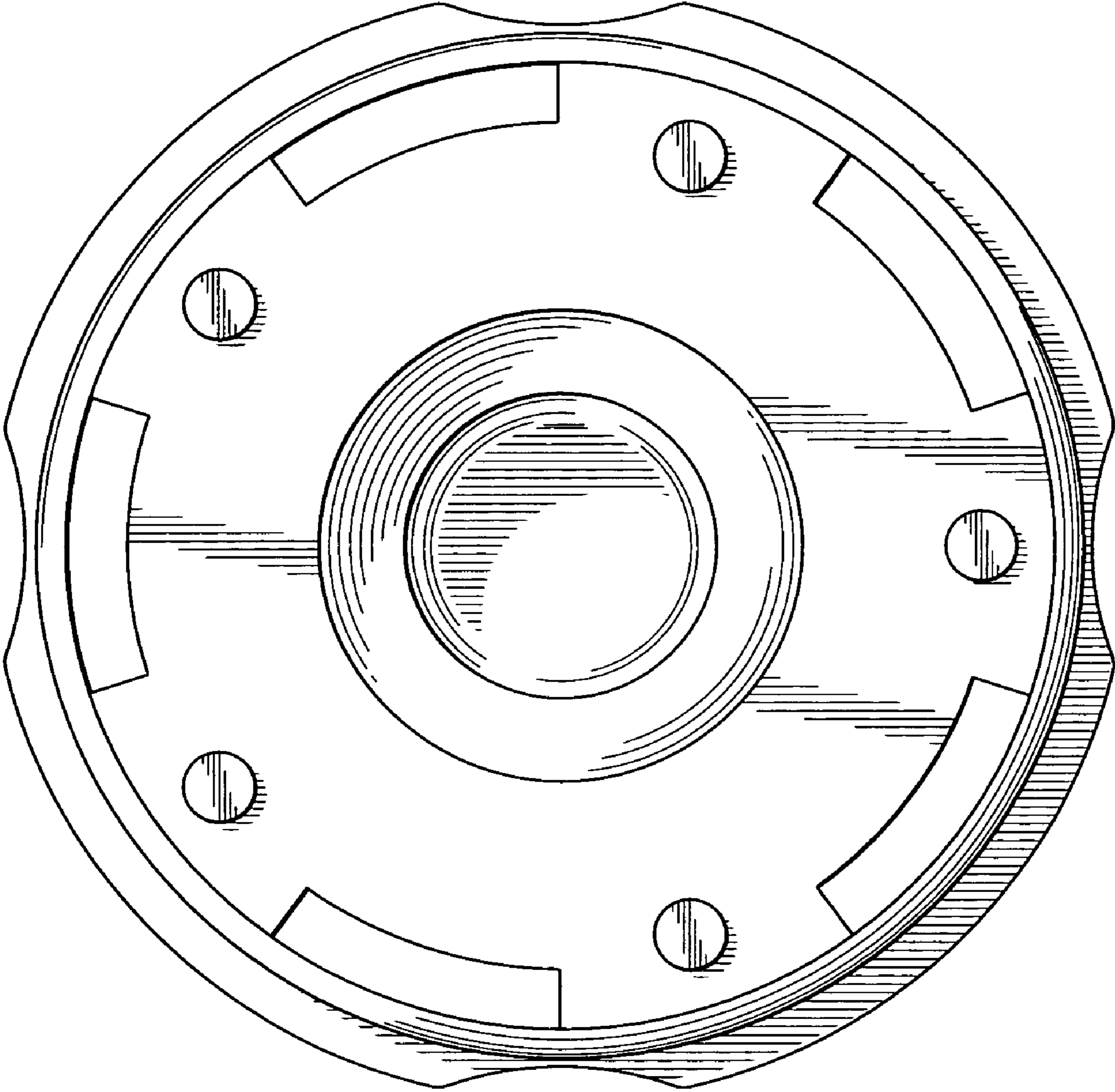


Fig. 7

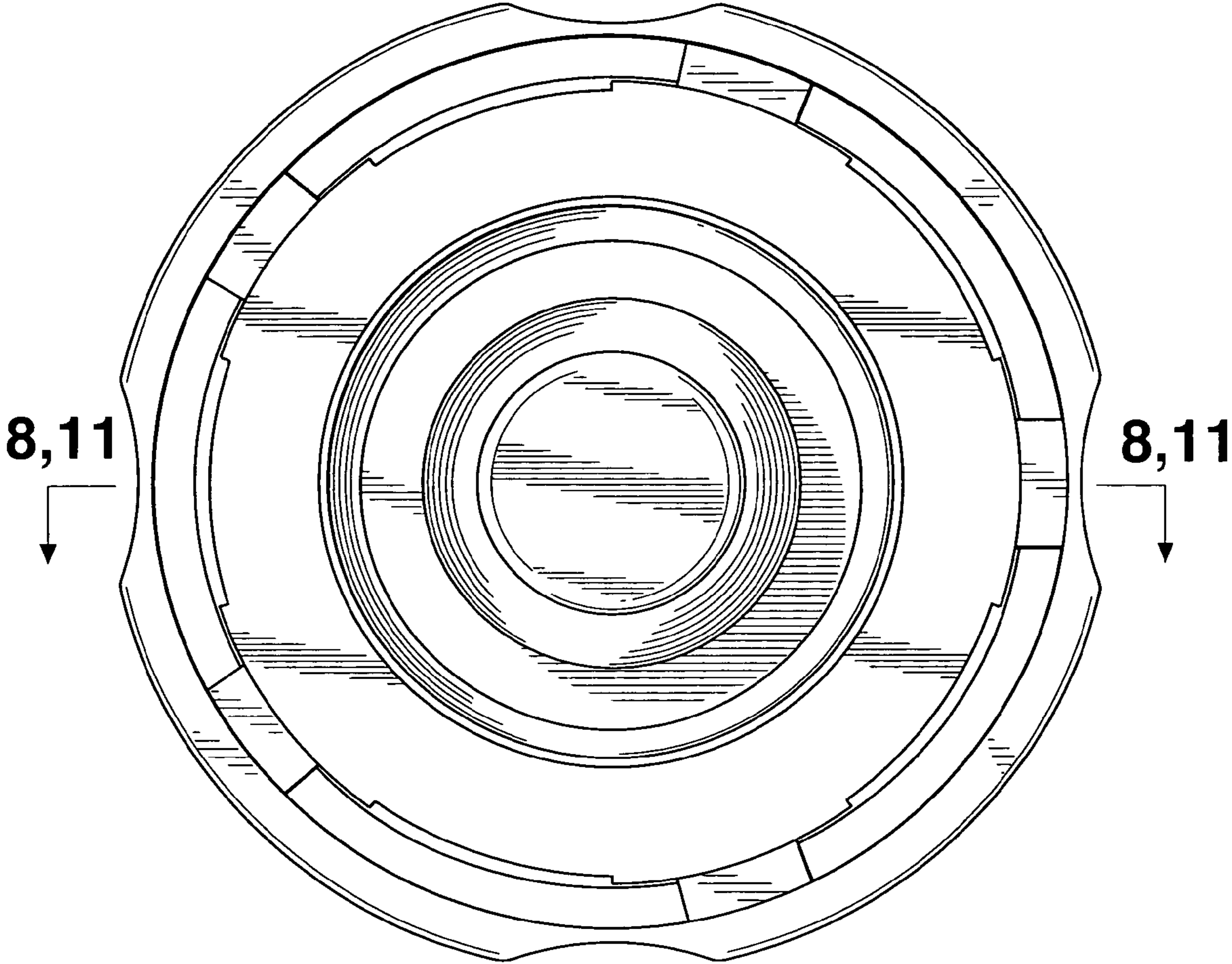


Fig. 8

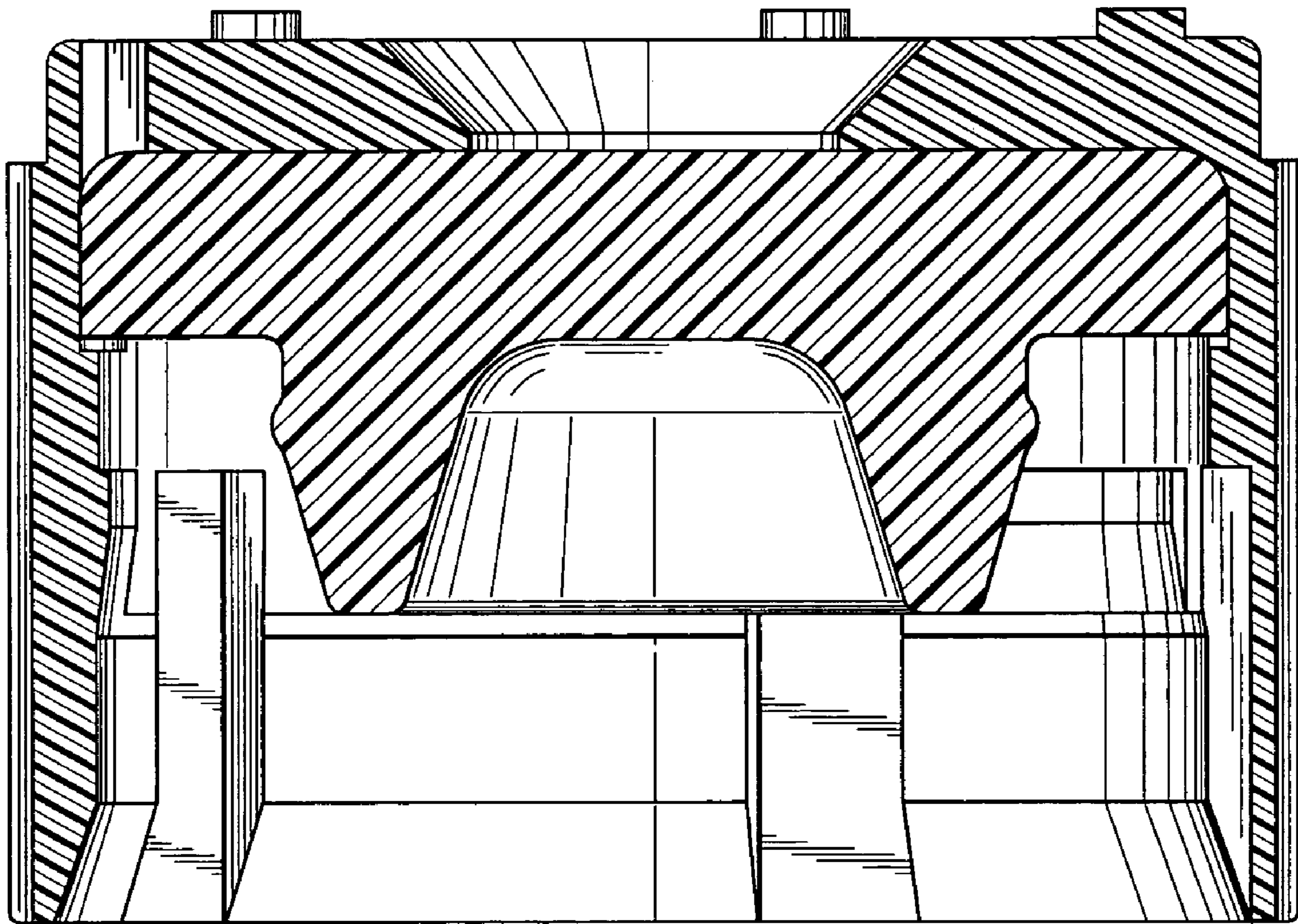


Fig. 9

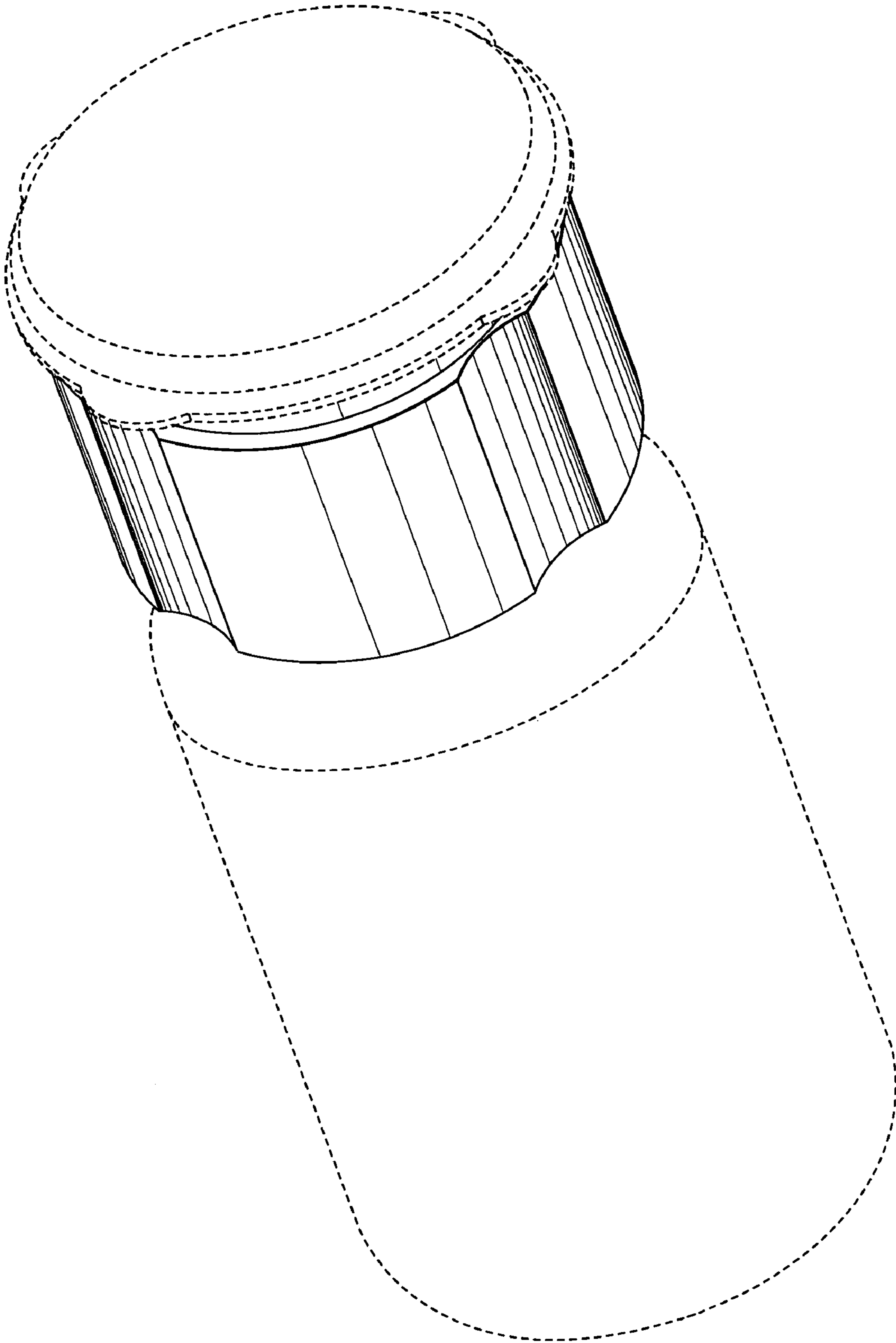


Fig. 10

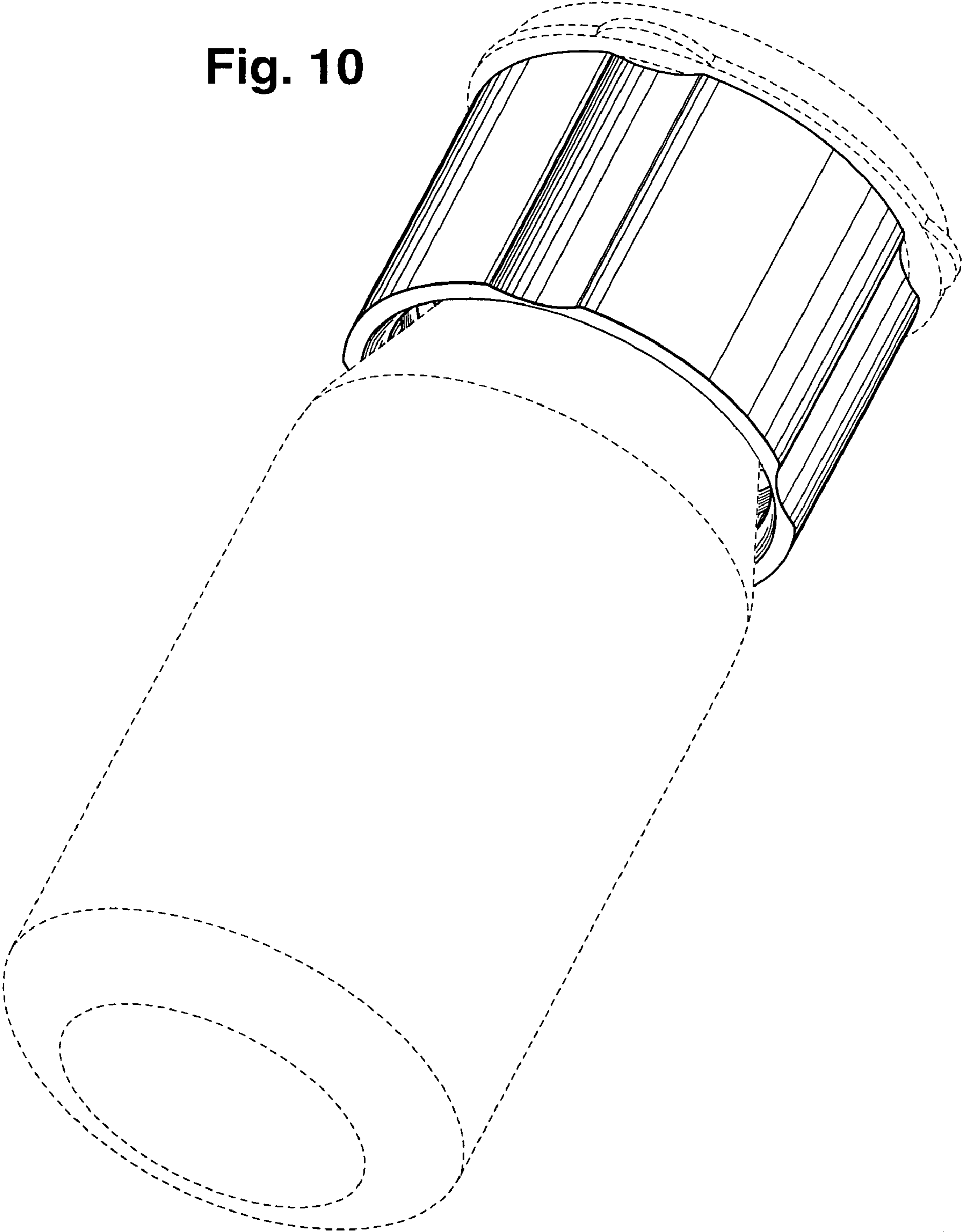


Fig. 11

