



US00D616077S

(12) **United States Design Patent**
Lin et al.

(10) **Patent No.:** **US D616,077 S**
(45) **Date of Patent:** **** May 18, 2010**

(54) **TOILET**

(75) Inventors: **Kevin Lin**, Weifang (CN); **Camel Hou**, Weifang (CN)

(73) Assignee: **Globe Union Industrial Corp.**, Taichung (TW)

(**) Term: **14 Years**

(21) Appl. No.: **29/296,006**

(22) Filed: **Oct. 12, 2007**

(51) **LOC (9) Cl.** **23-02**

(52) **U.S. Cl.** **D23/301**

(58) **Field of Classification Search** D23/273-274,
D23/295-301, 309; 4/663-664, 300, 329,
4/353, 420, 443, 449, 902

See application file for complete search history.

(56) **References Cited**

U.S. PATENT DOCUMENTS

- D456,883 S * 5/2002 Chen D23/301
- D472,309 S * 3/2003 Kawamura et al. D23/295
- D496,443 S * 9/2004 Bates D23/301

- D508,732 S * 8/2005 Rivas D23/301
- D556,300 S * 11/2007 Lin et al. D23/295
- D556,871 S * 12/2007 Lin et al. D23/295
- D587,356 S * 2/2009 Cummings D23/295

* cited by examiner

Primary Examiner—Robert A Delehanty

(74) *Attorney, Agent, or Firm*—Leong C. Lei

(57) **CLAIM**

The ornamental design for a toilet, as shown and described.

DESCRIPTION

FIG. 1 is a perspective view of a toilet showing my new design;

FIG. 2 is a front elevational view thereof;

FIG. 3 is a rear elevational view thereof;

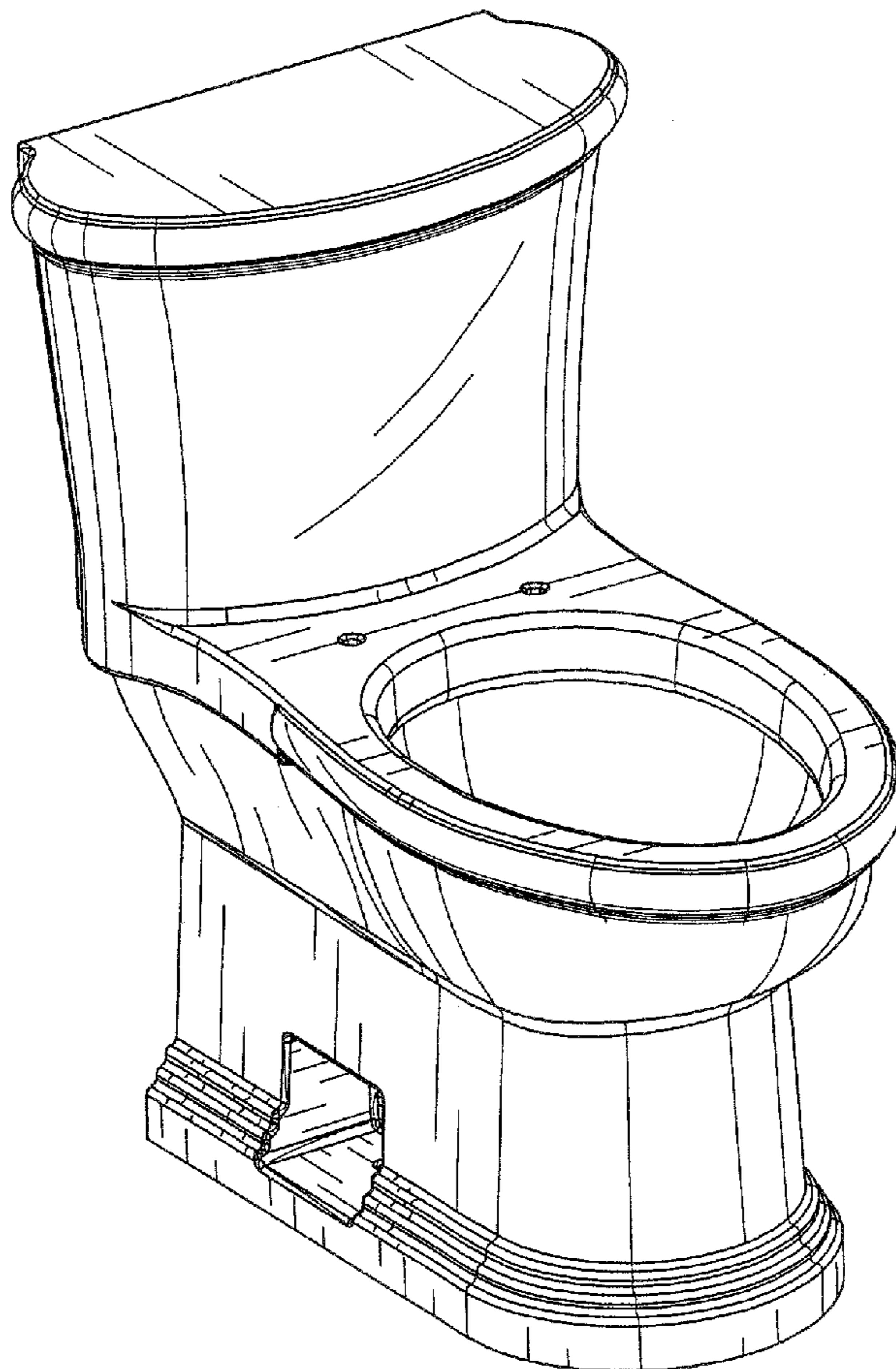
FIG. 4 is a left side elevational view thereof;

FIG. 5 is a right side elevational view thereof; and,

FIG. 6 is a top plan view thereof.

The broken lines illustrate portions of the toilet that form no part of the claimed design.

1 Claim, 6 Drawing Sheets



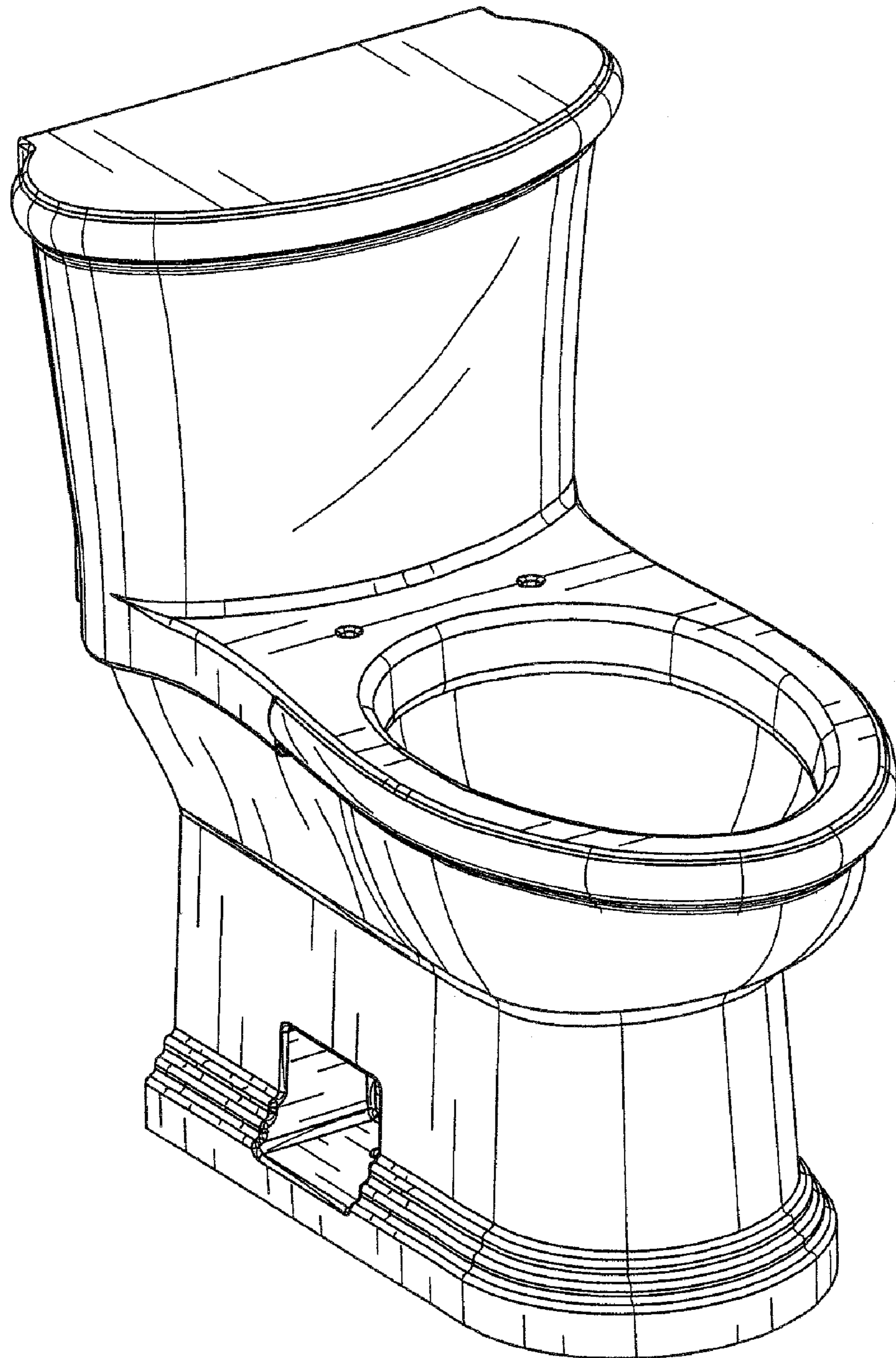


FIG. 1

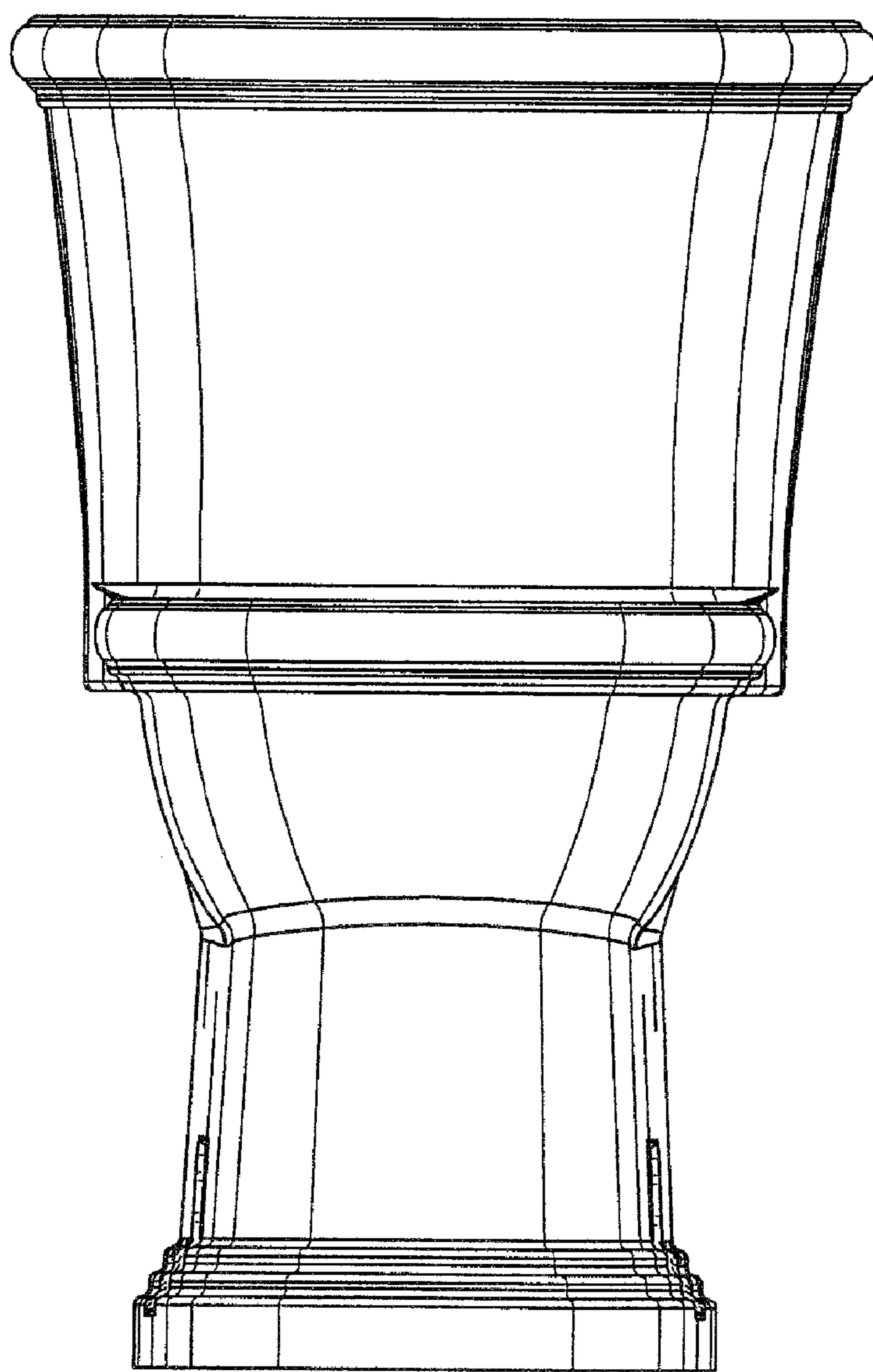


FIG. 2

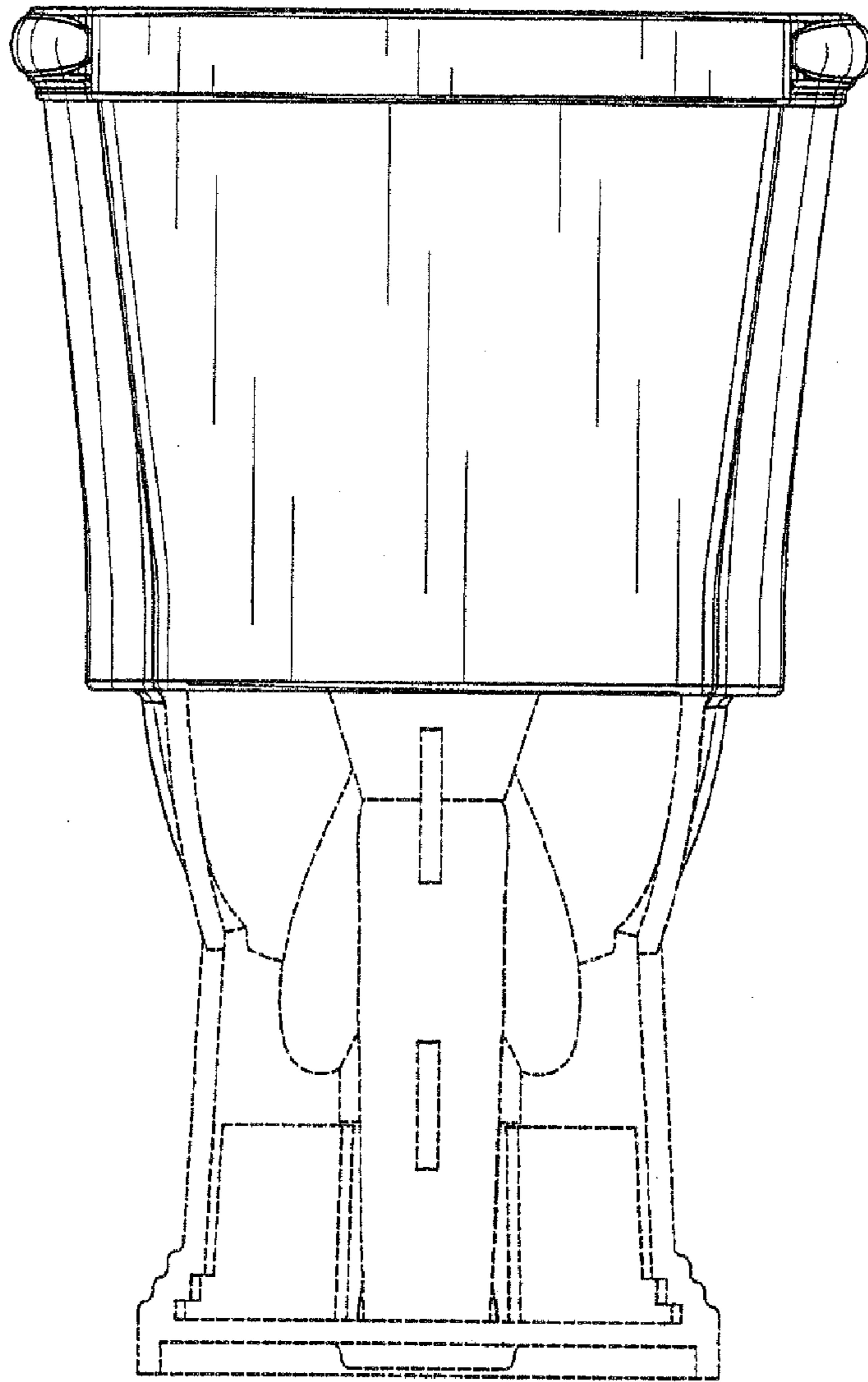


FIG. 3

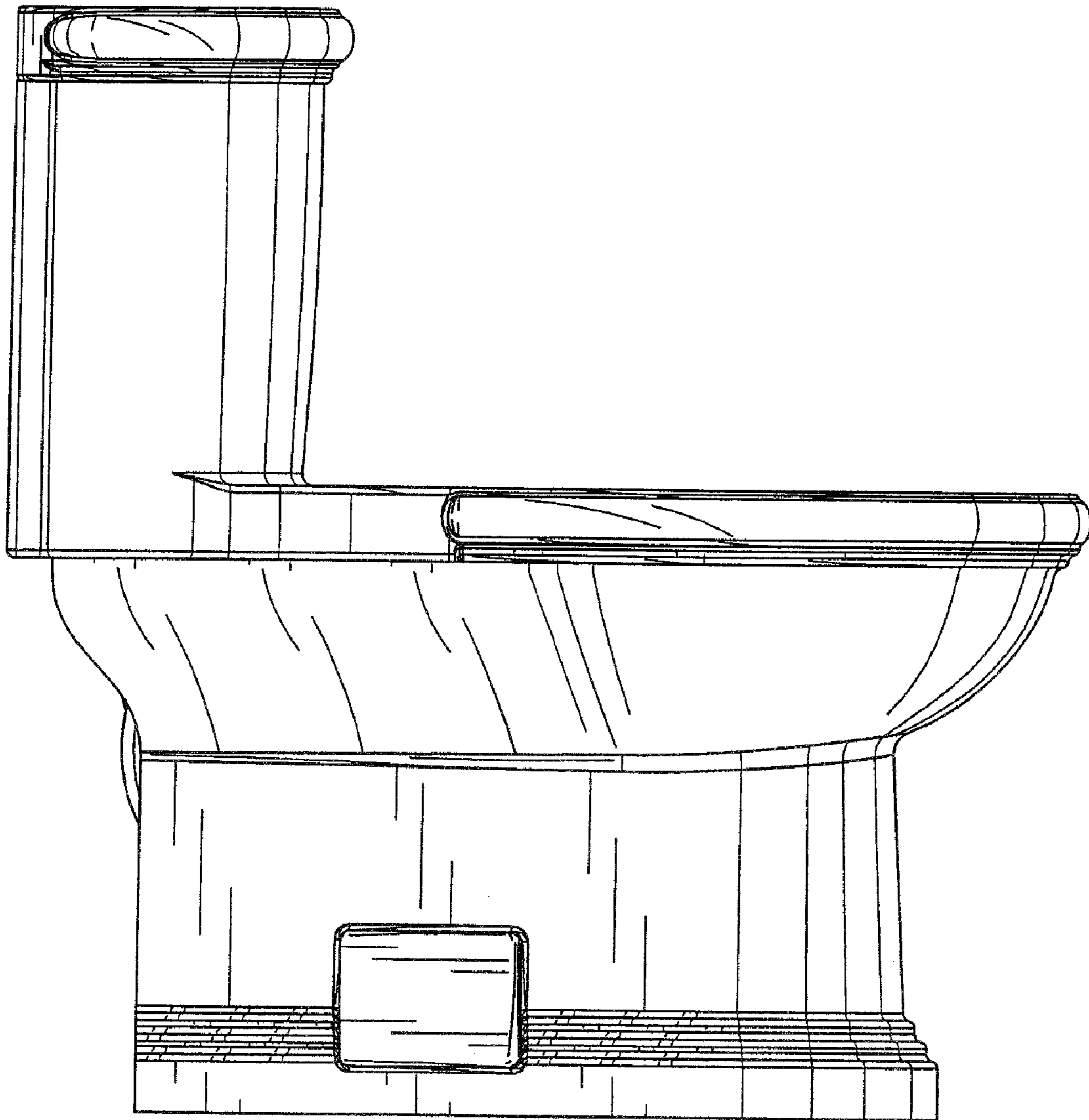


FIG.4

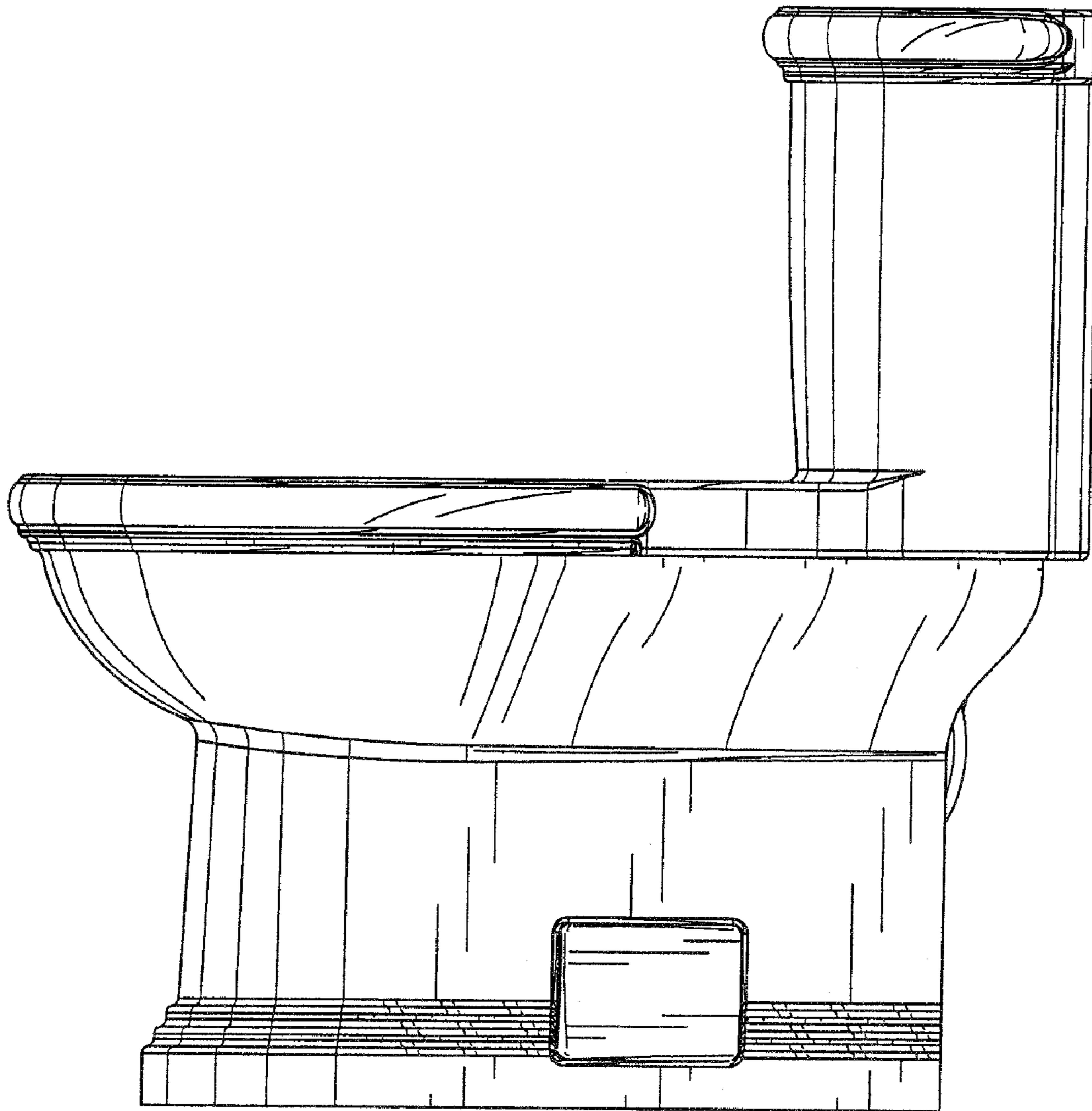


FIG.5

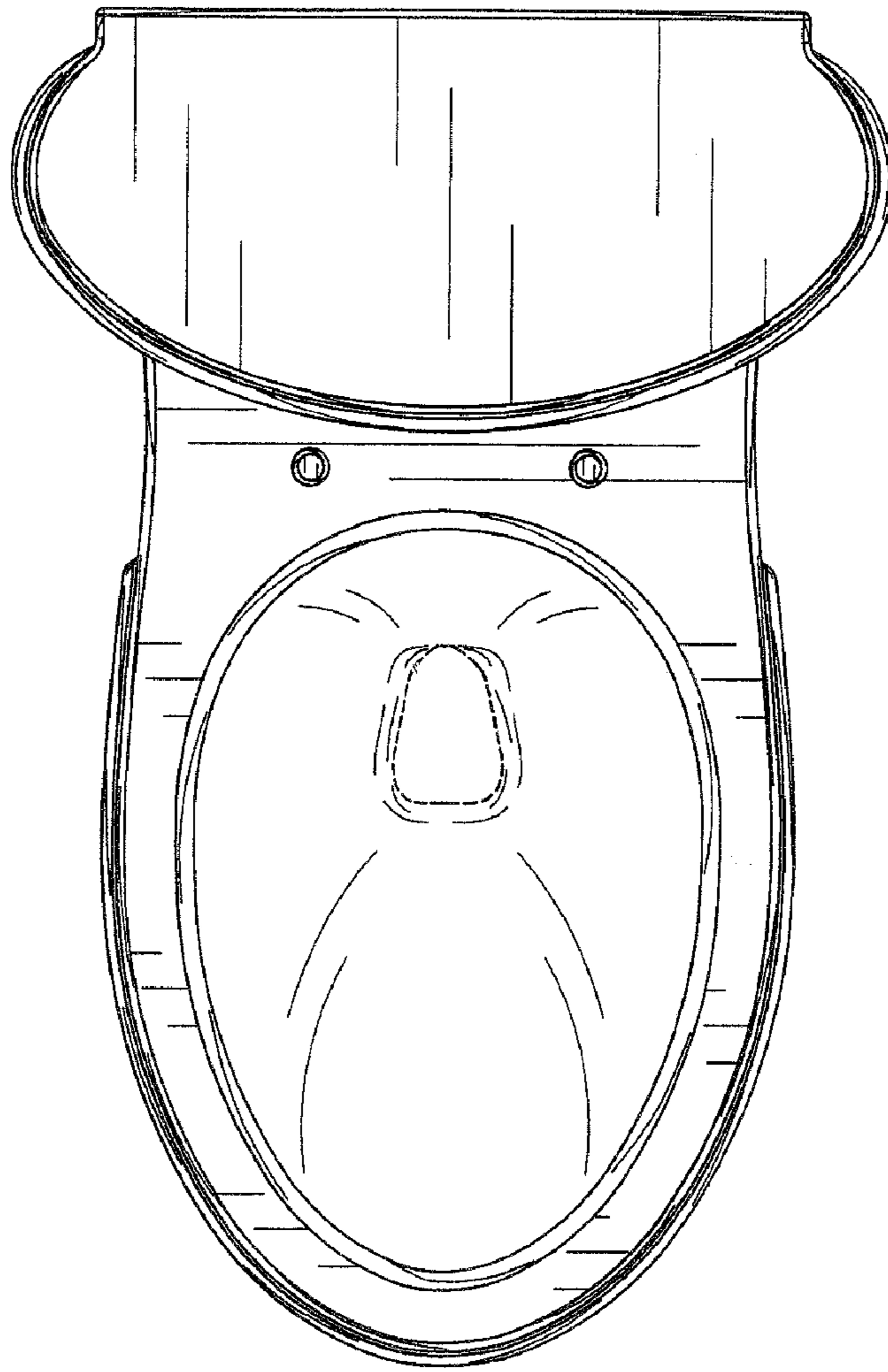


FIG.6