



US00D616073S

(12) **United States Design Patent**  
**Kim et al.**

(10) **Patent No.:** **US D616,073 S**

(45) **Date of Patent:** **\*\* May 18, 2010**

(54) **BATHTUB**

(75) Inventors: **Seung Min Kim**, Seoul (KR); **Eun Hwa Lee**, Seoul (KR)

(73) Assignee: **Samsung C&T Corporation**, Seoul (KR)

(\*\*) Term: **14 Years**

(21) Appl. No.: **29/336,737**

(22) Filed: **May 8, 2009**

(51) **LOC (9) Cl.** ..... **23-02**

(52) **U.S. Cl.** ..... **D23/273**

(58) **Field of Classification Search** ..... D23/277,  
D23/279-280.3, 283, 304-305, 273; 4/538,  
4/557-558; D24/204-205

See application file for complete search history.

(56) **References Cited**

**U.S. PATENT DOCUMENTS**

- D166,061 S \* 3/1952 Bagwell ..... D23/273
- 3,015,110 A \* 1/1962 Treand ..... 4/663
- D233,343 S \* 10/1974 Myers ..... D23/280.1
- D246,728 S \* 12/1977 Wormser ..... D23/280.1

- D264,629 S \* 5/1982 Longmire ..... D23/280.1
- D394,493 S \* 5/1998 Zeidner ..... D23/277
- D533,644 S \* 12/2006 Talocci ..... D23/277
- D539,393 S \* 3/2007 Hashida ..... D23/277

\* cited by examiner

*Primary Examiner*—Robert A Delehanty

(74) *Attorney, Agent, or Firm*—Ladas and Parry LLP

(57) **CLAIM**

We claim the ornamental design for bathtub, as shown.

**DESCRIPTION**

FIG. 1 is a front/left-side/top perspective view of a bathtub showing our new design;

FIG. 2 is a front-side elevational view thereof;

FIG. 3 is a rear-side elevational view thereof;

FIG. 4 is a left-side elevational view thereof;

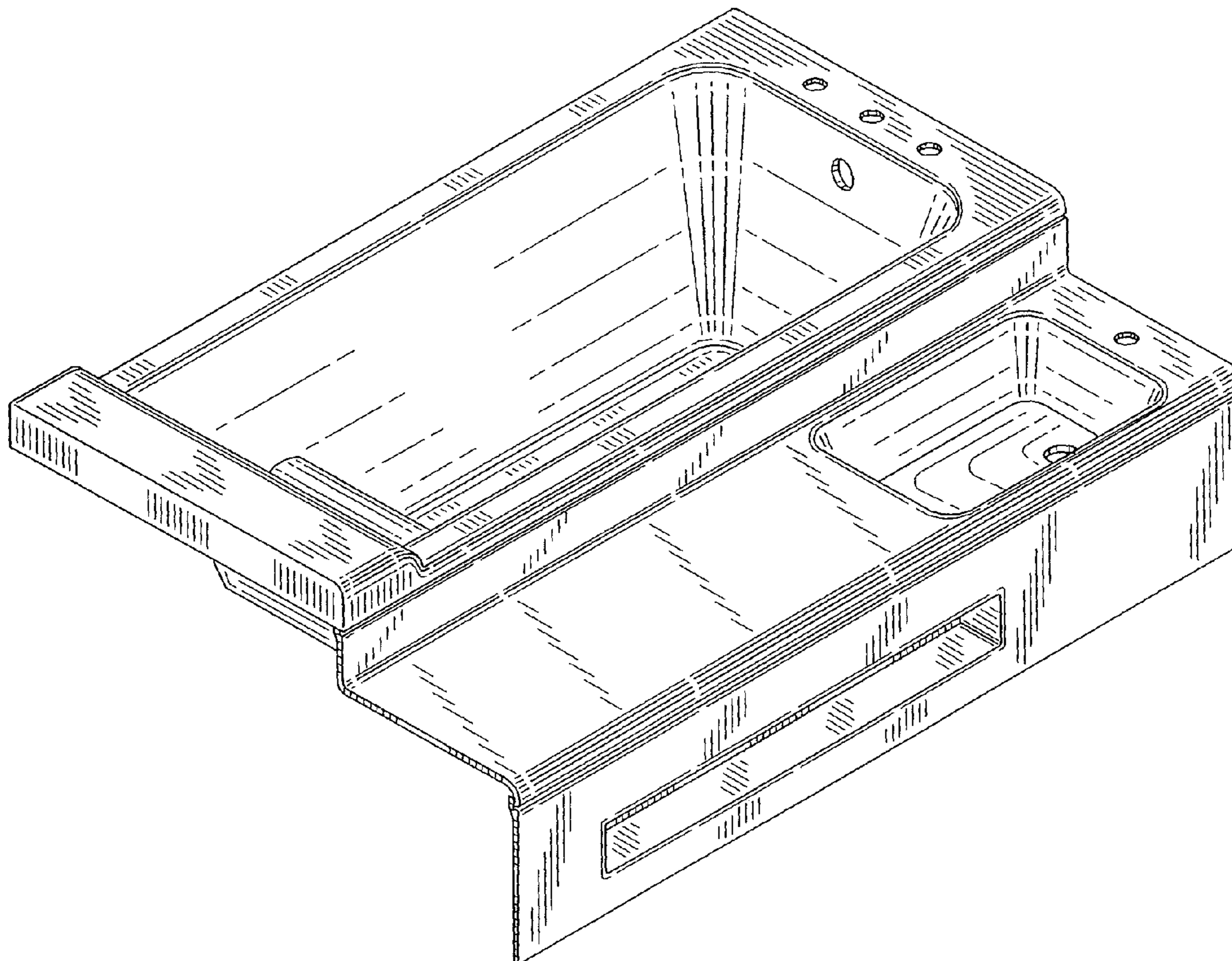
FIG. 5 is a right-side elevational view thereof;

FIG. 6 is a top-side elevational view thereof;

FIG. 7 is a bottom-side elevational view thereof; and,

FIG. 8 is a sectional view of FIG. 6.

**1 Claim, 5 Drawing Sheets**



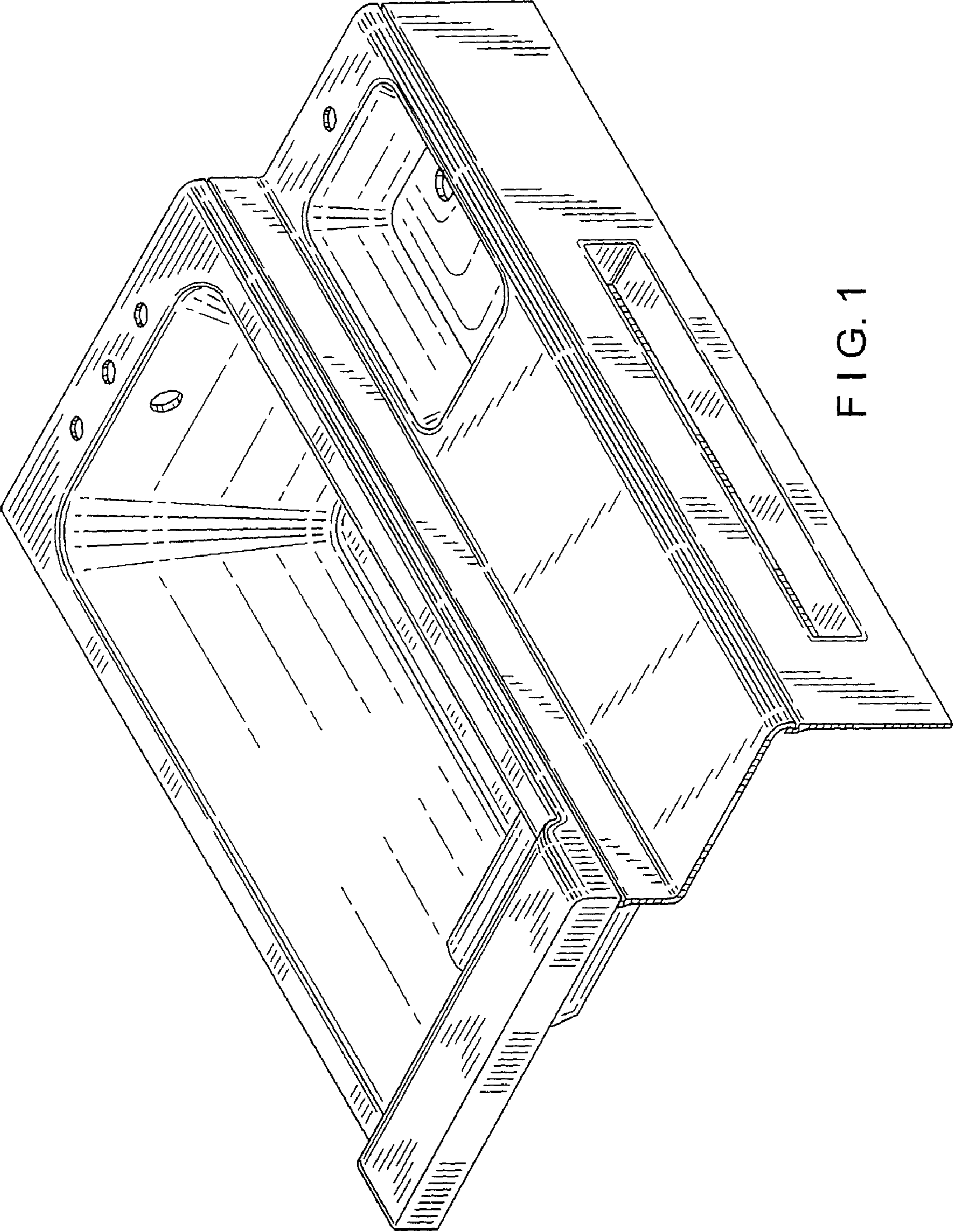


FIG. 1

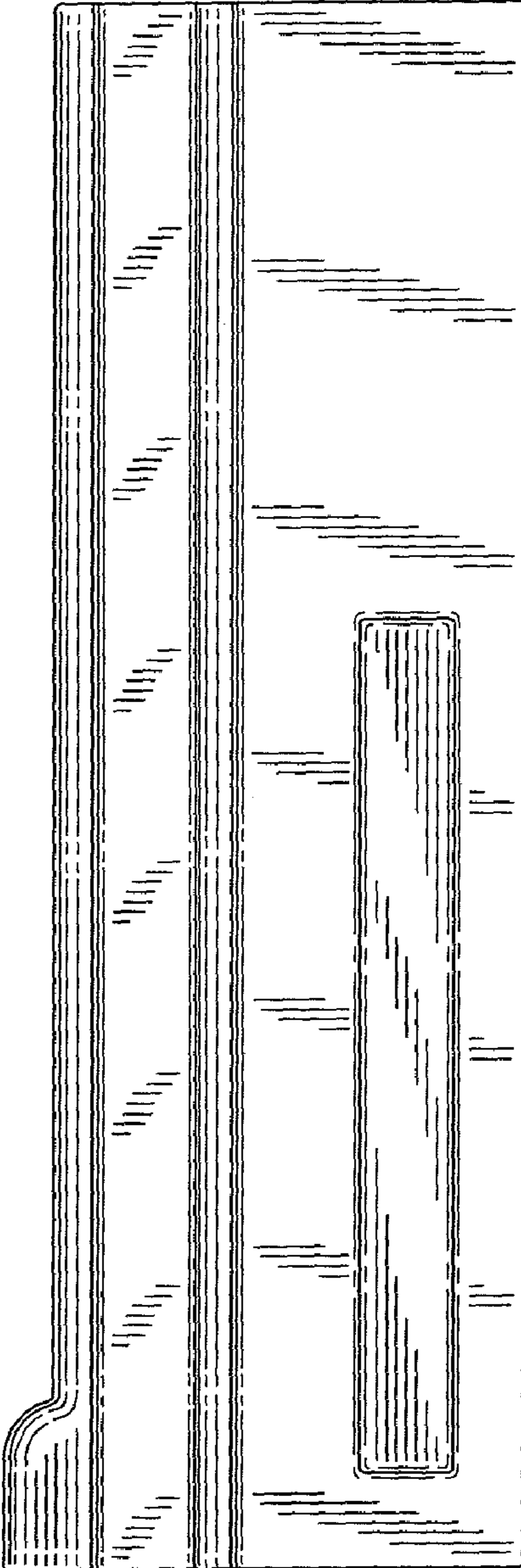


FIG. 2

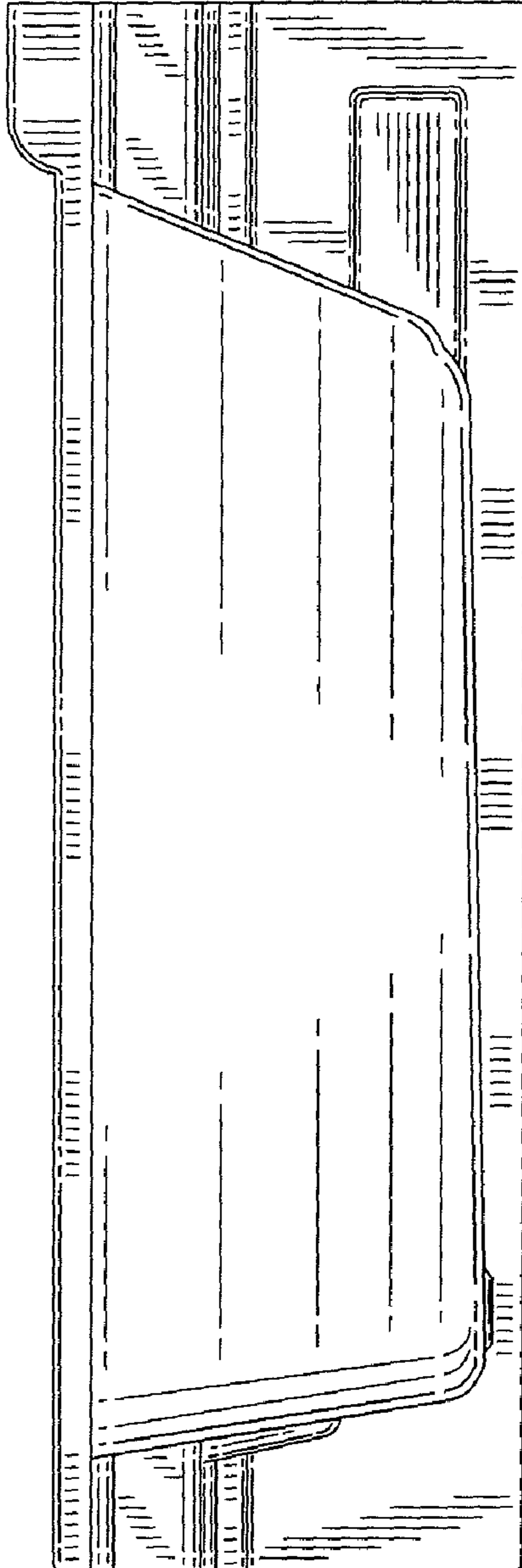


FIG. 3

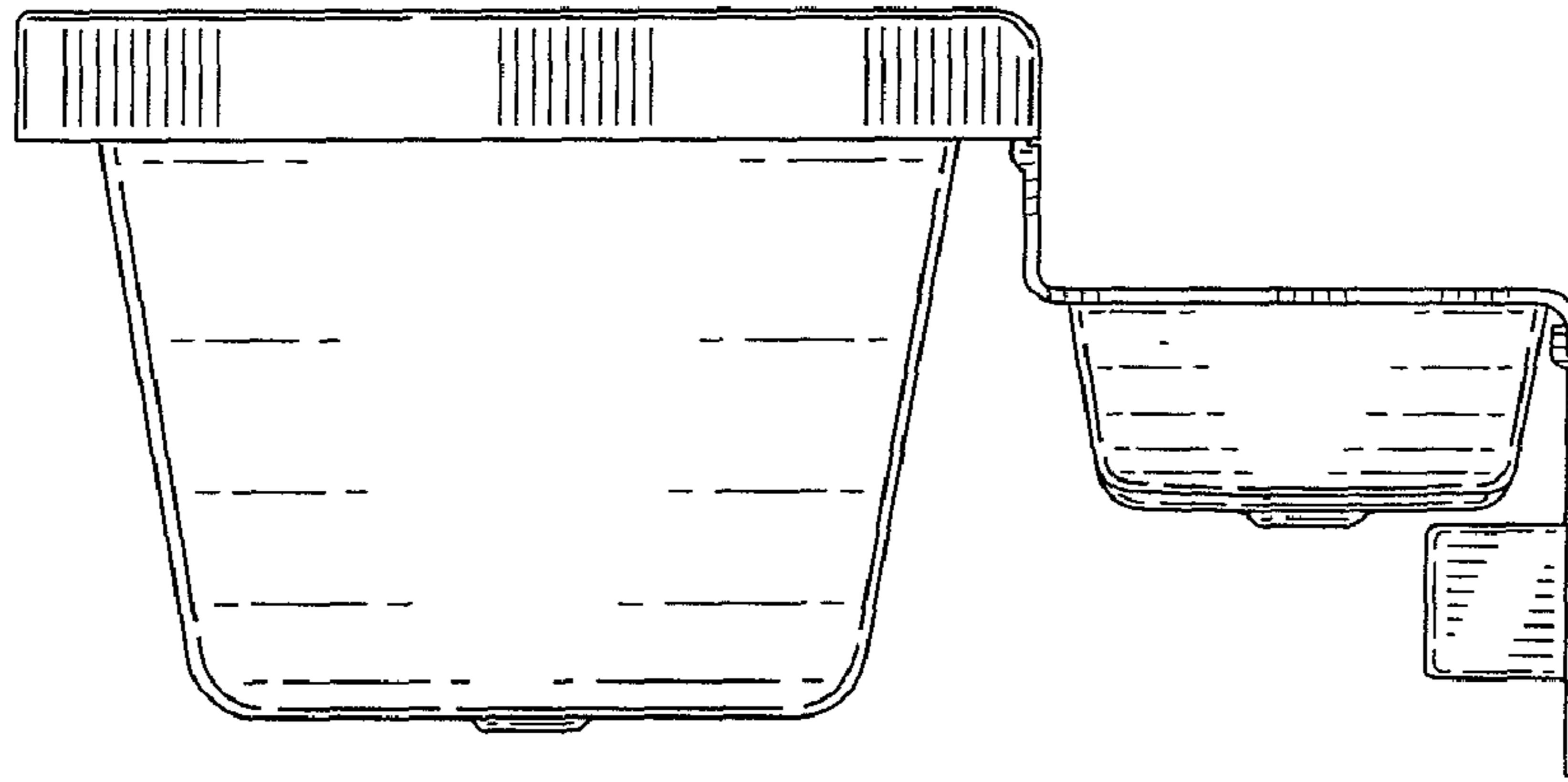


FIG. 4

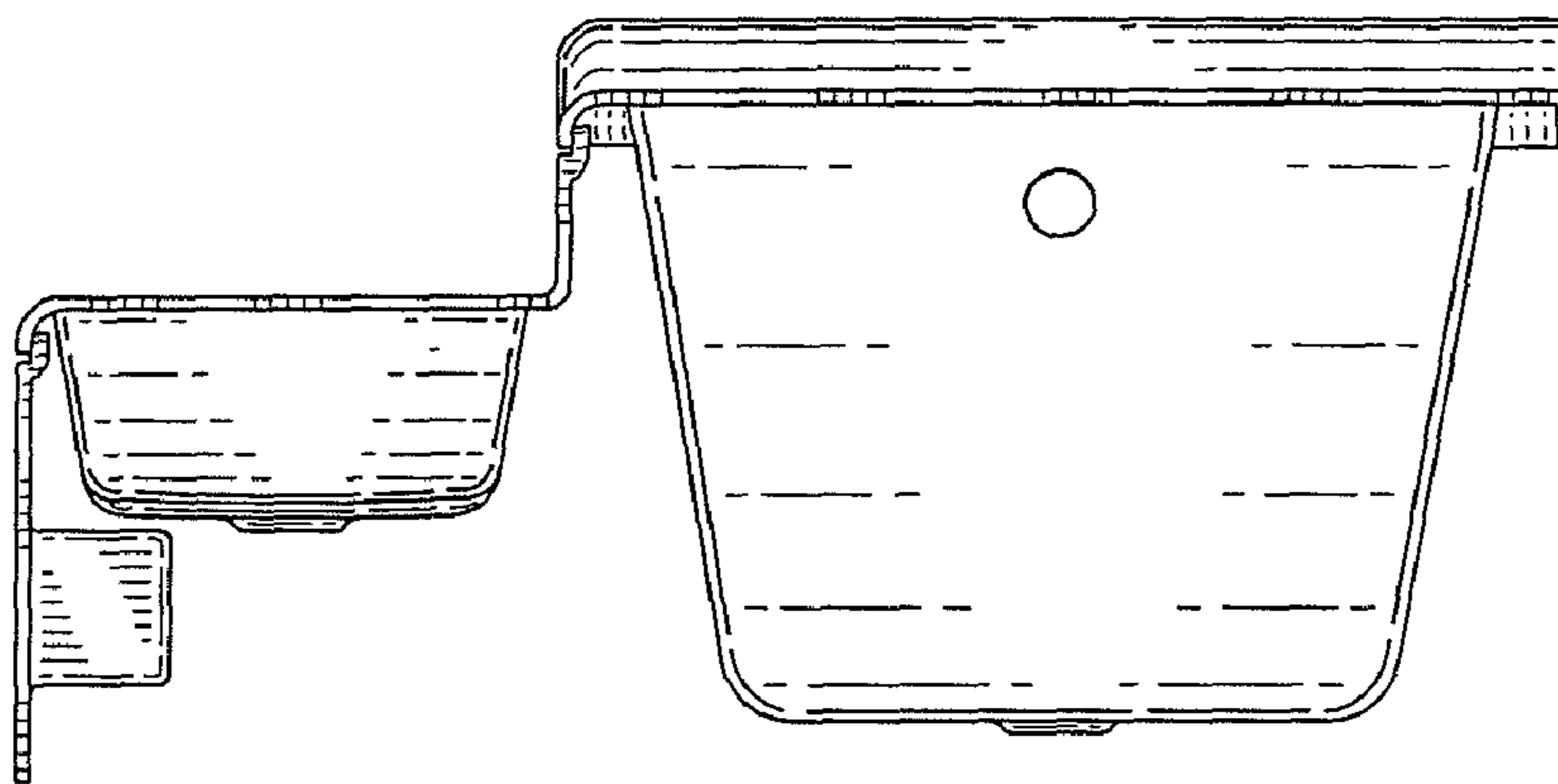


FIG. 5

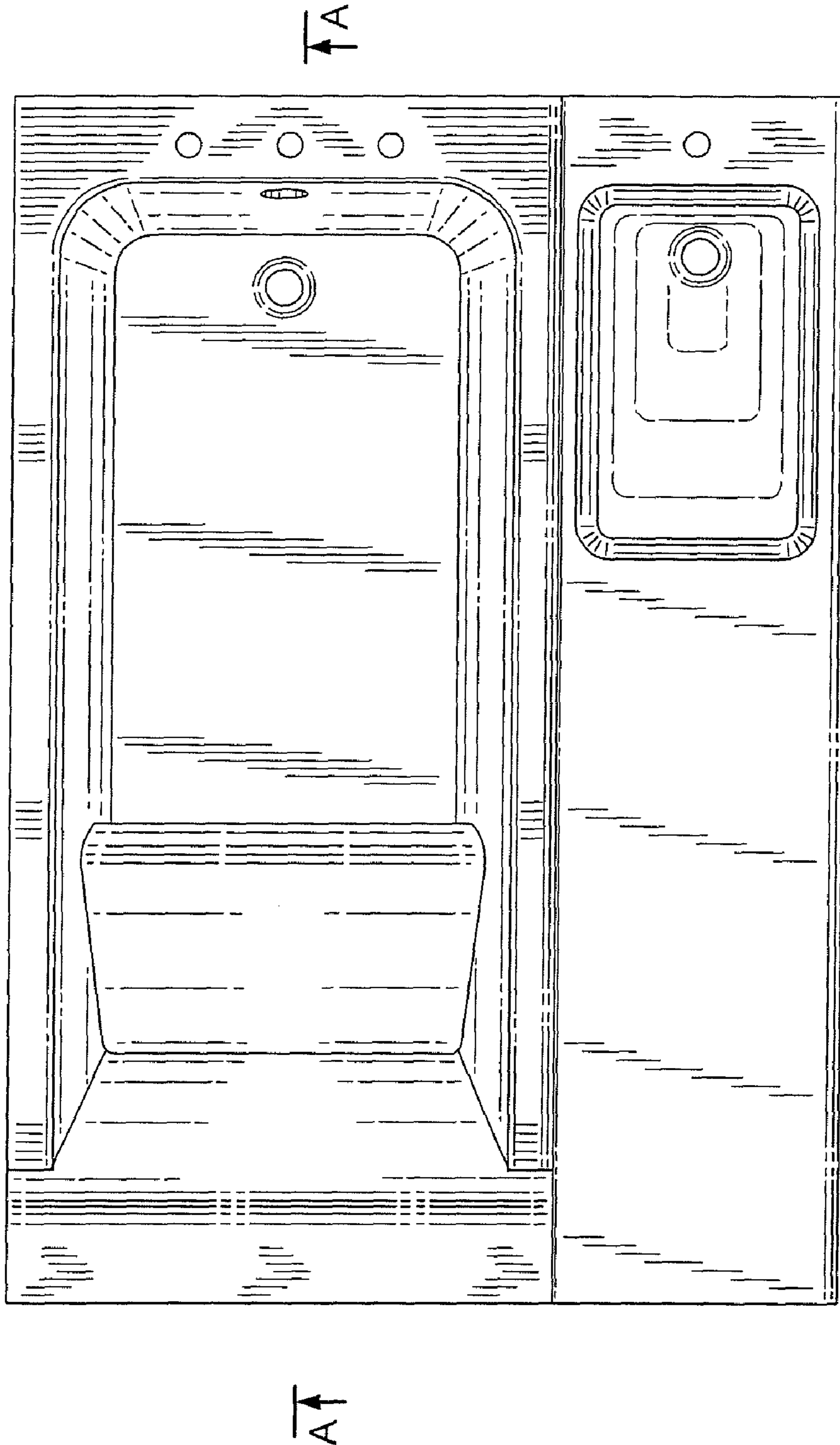


FIG. 6

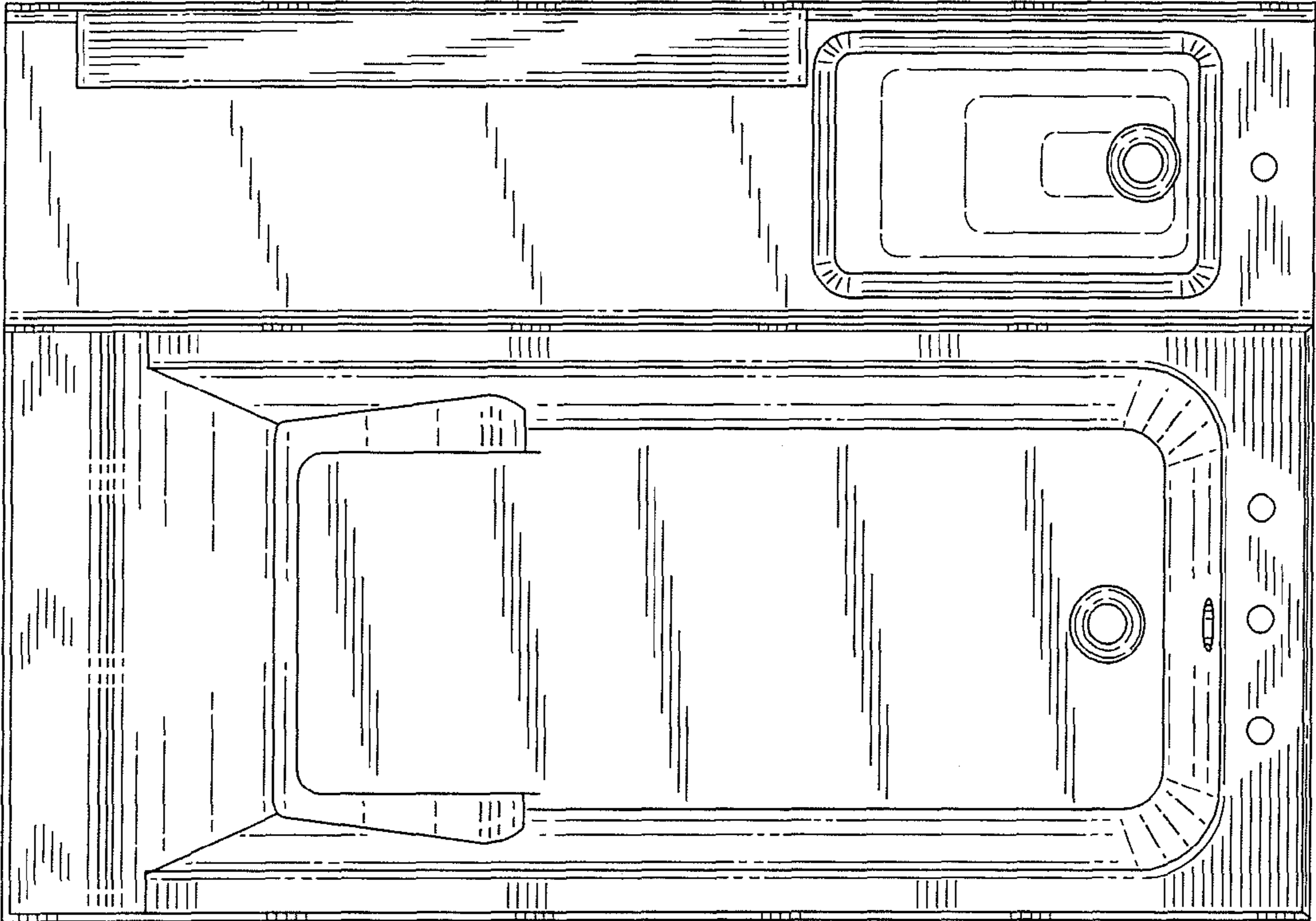


FIG. 7

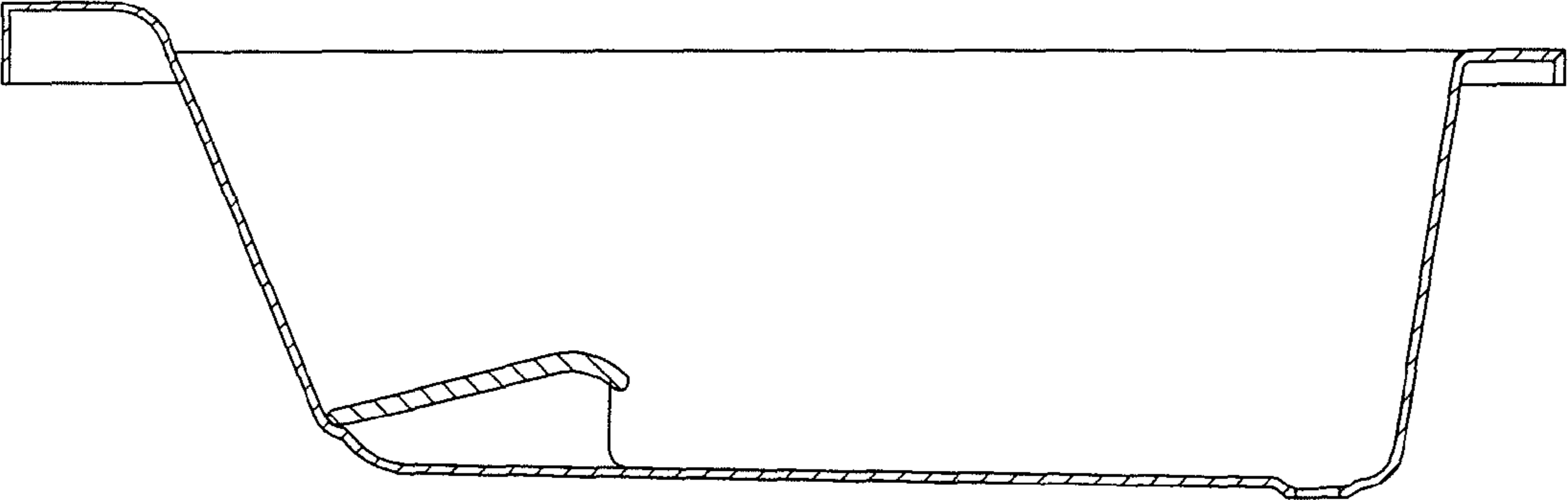


FIG. 8