



US00D616070S

(12) **United States Design Patent**
Stadtler

(10) **Patent No.:** **US D616,070 S**
(45) **Date of Patent:** **** May 18, 2010**

(54) **SANITARY APPLIANCE**

(75) Inventor: **Georg Stadtler**, Bad Rodach/Gauerstadt (DE)

(73) Assignee: **Neoperl GmbH**, Mullheim (DE)

(**) Term: **14 Years**

(21) Appl. No.: **29/351,550**

(22) Filed: **Dec. 8, 2009**

Related U.S. Application Data

(63) Continuation of application No. 29/282,211, filed on Jul. 13, 2007, now Pat. No. Des. 610,654.

(30) **Foreign Application Priority Data**

Jan. 15, 2007 (EM) 000652169-0001
Jun. 22, 2007 (EM) 000745419-0001

(51) **LOC (9) Cl.** **23-01**

(52) **U.S. Cl.** **D23/249**

(58) **Field of Classification Search** D23/254,
D23/249, 213, 238, 388, 261; D10/106;
700/85, 83; 345/156; 138/46; 340/407.2;
D25/35; 454/313

See application file for complete search history.

(56) **References Cited**

U.S. PATENT DOCUMENTS

4,274,330 A 6/1981 Witten et al.
D279,601 S 7/1985 Sexton
4,699,045 A 10/1987 Hensley

D299,543 S 1/1989 Phillips
D377,389 S 1/1997 Phillips et al.
D462,757 S 9/2002 Pettit
D530,782 S 10/2006 Starck
D553,708 S 10/2007 Garner
D581,487 S 11/2008 Wildfang
D595,811 S 7/2009 Stadtler
D602,567 S * 10/2009 Stadtler D23/235
D609,781 S * 2/2010 Stadtler D23/249
D609,787 S * 2/2010 Stadtler D23/249

* cited by examiner

Primary Examiner—Cathron C Brooks

Assistant Examiner—Austin Murphy

(74) *Attorney, Agent, or Firm*—Volpe and Koenig, P.C.

(57) **CLAIM**

The ornamental design for a sanitary appliance, as shown and described.

DESCRIPTION

FIG. 1 is a top perspective view of a sanitary appliance showing my new design;

FIG. 2 is a bottom perspective view thereof;

FIG. 3 is a top plan view thereof;

FIG. 4 is a front elevational view thereof;

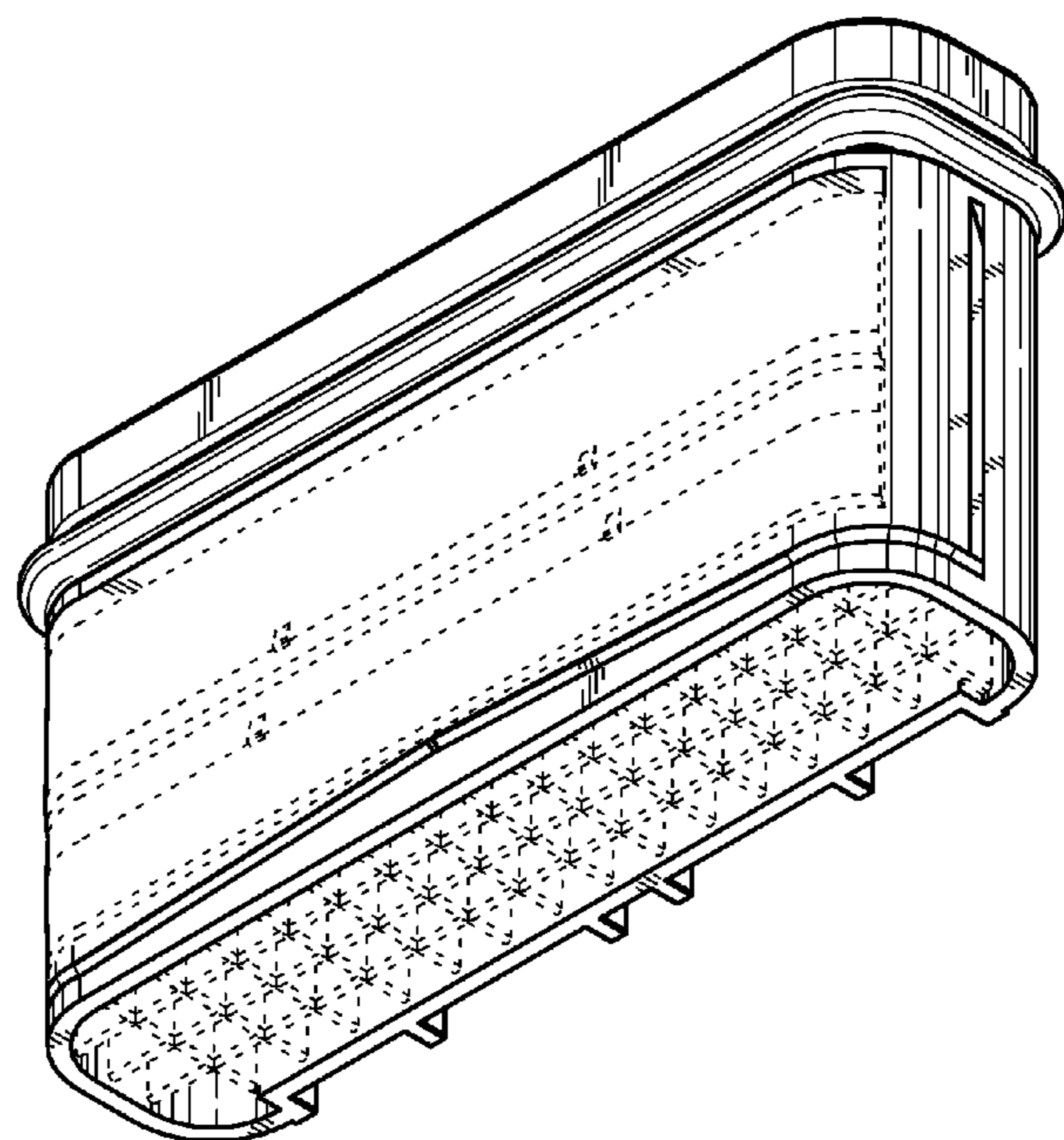
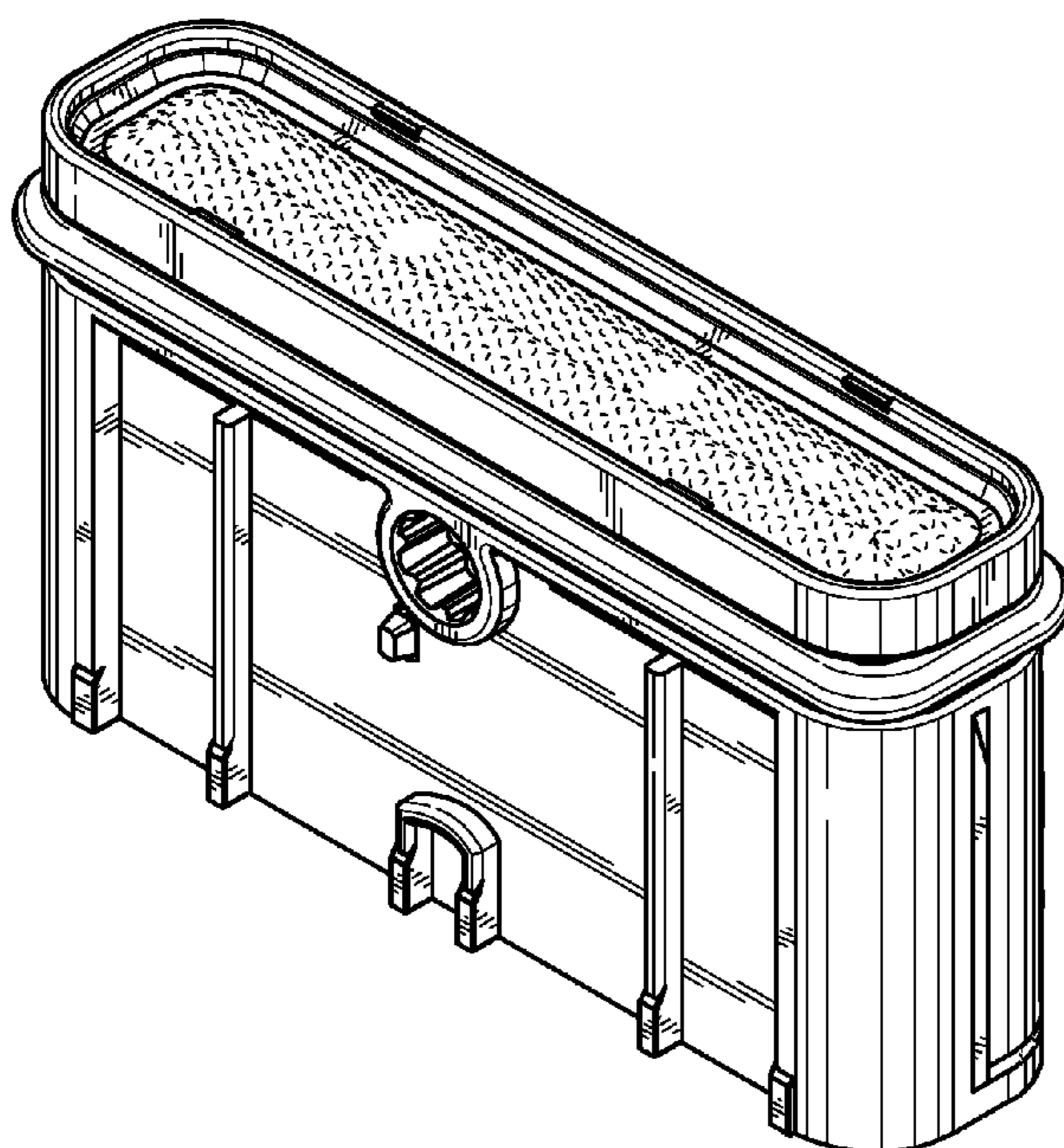
FIG. 5 is a right-side elevational view thereof;

FIG. 6 is a rear elevational view thereof; and,

FIG. 7 is a bottom plan view thereof.

The dashed lines show environmental matter for illustrative purposes only and do not form part of the claimed design.

1 Claim, 3 Drawing Sheets



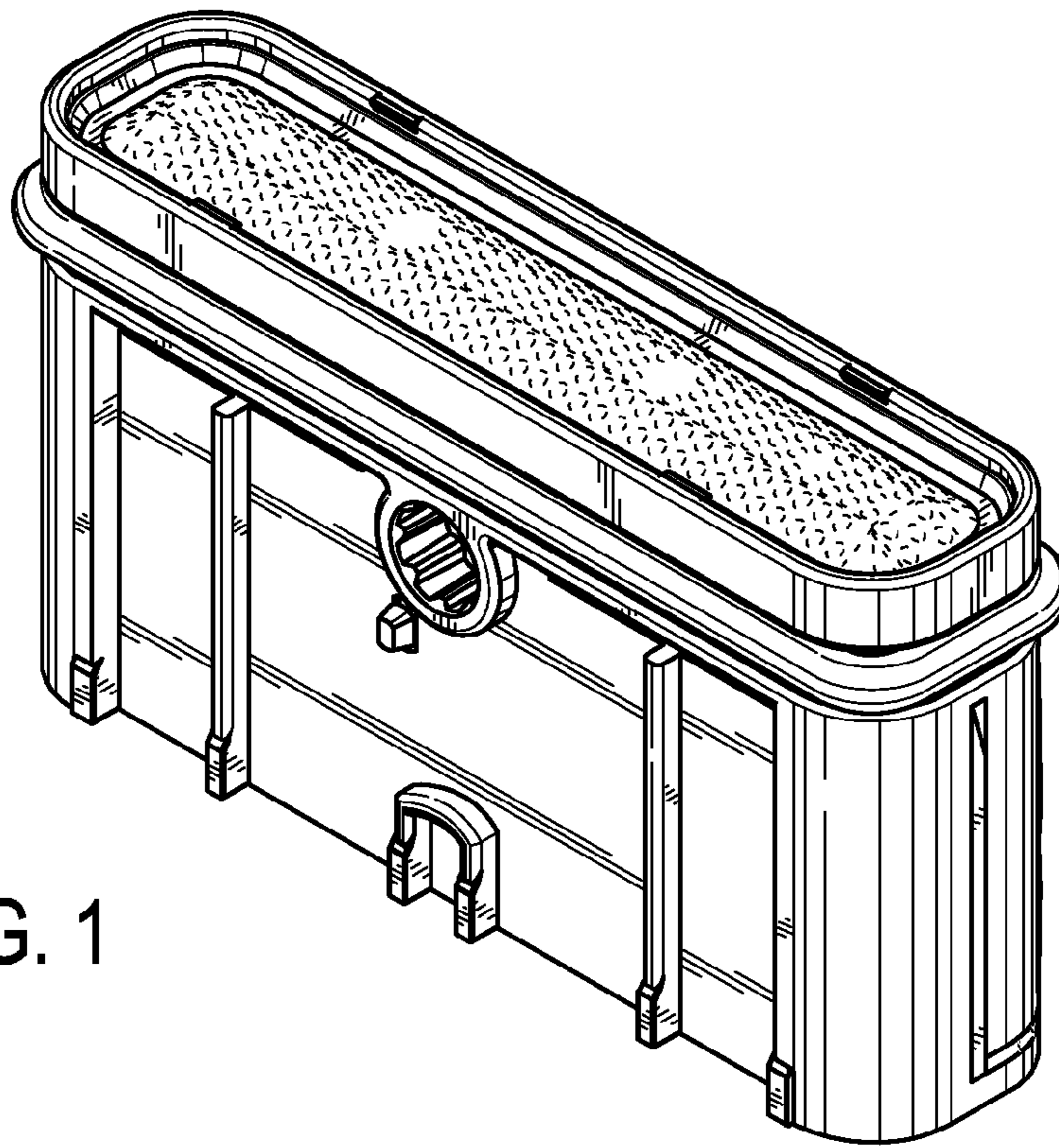


FIG. 1

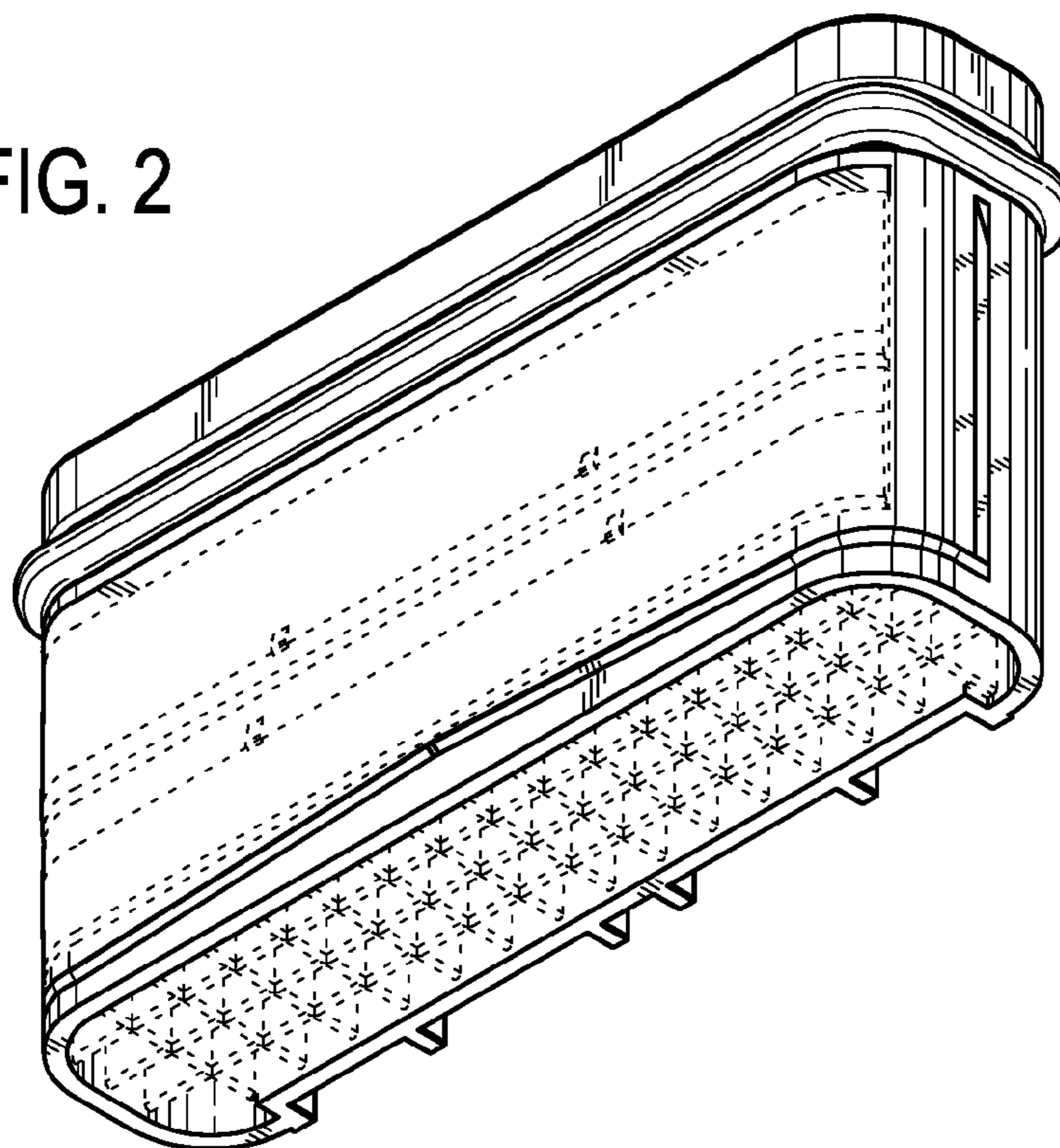


FIG. 2

FIG. 3

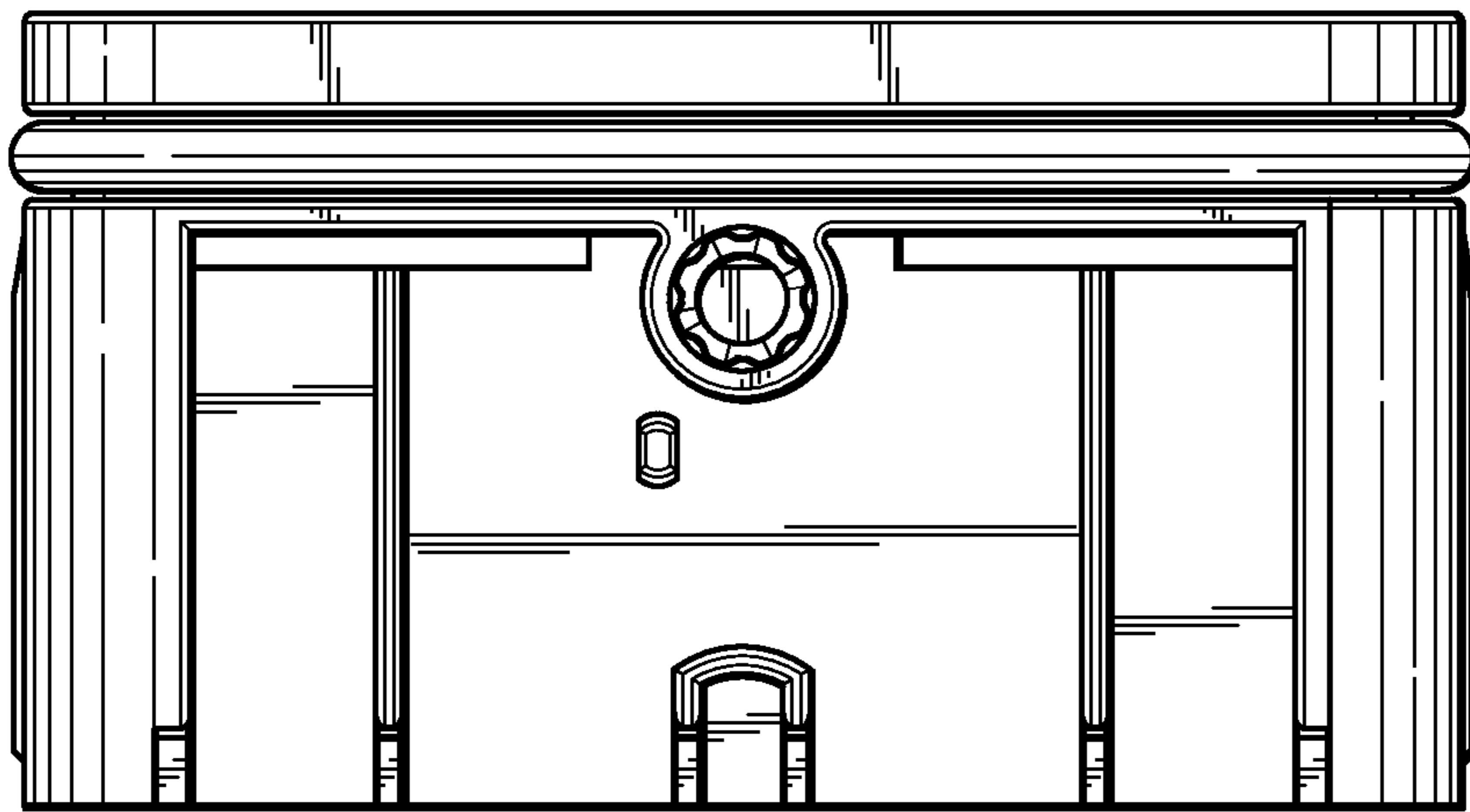
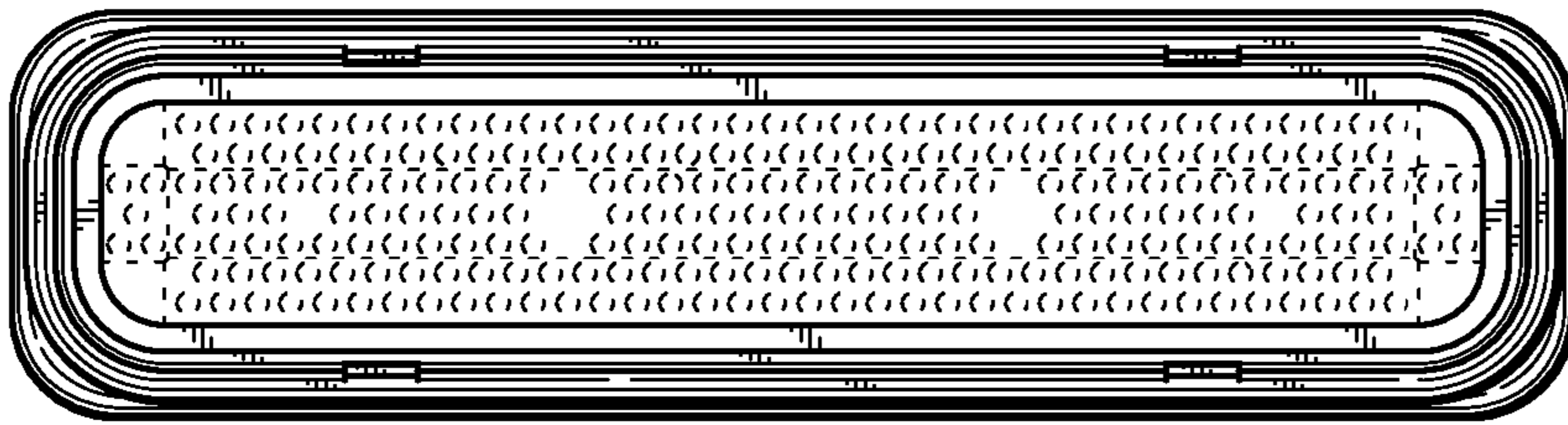


FIG. 4

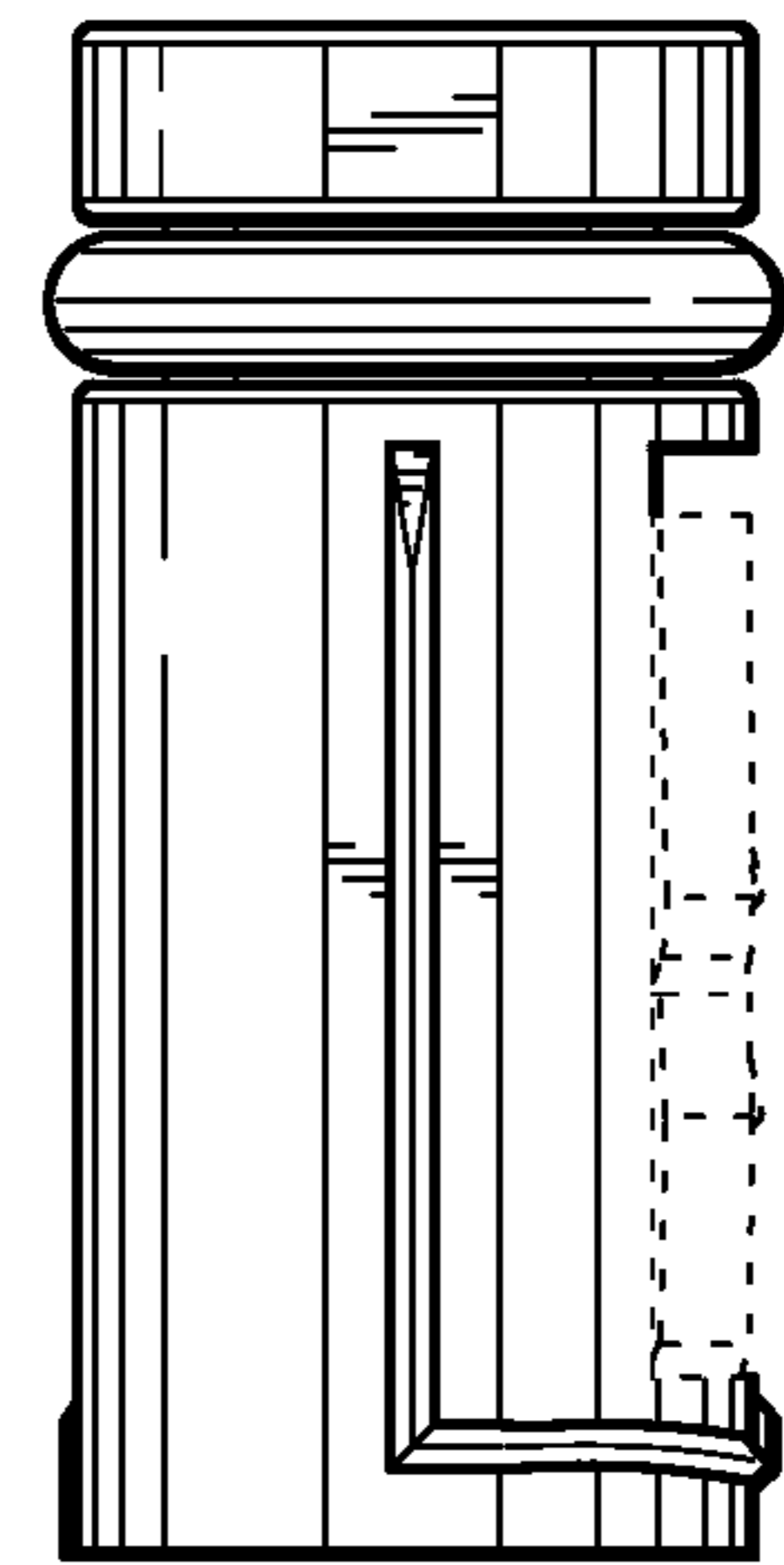


FIG. 5

FIG. 6

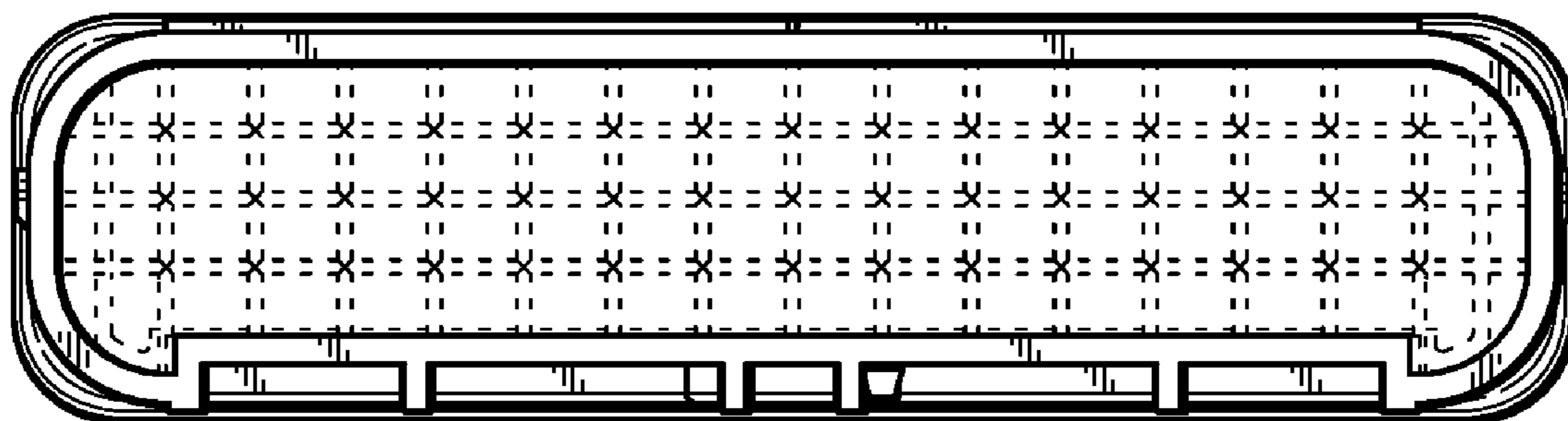
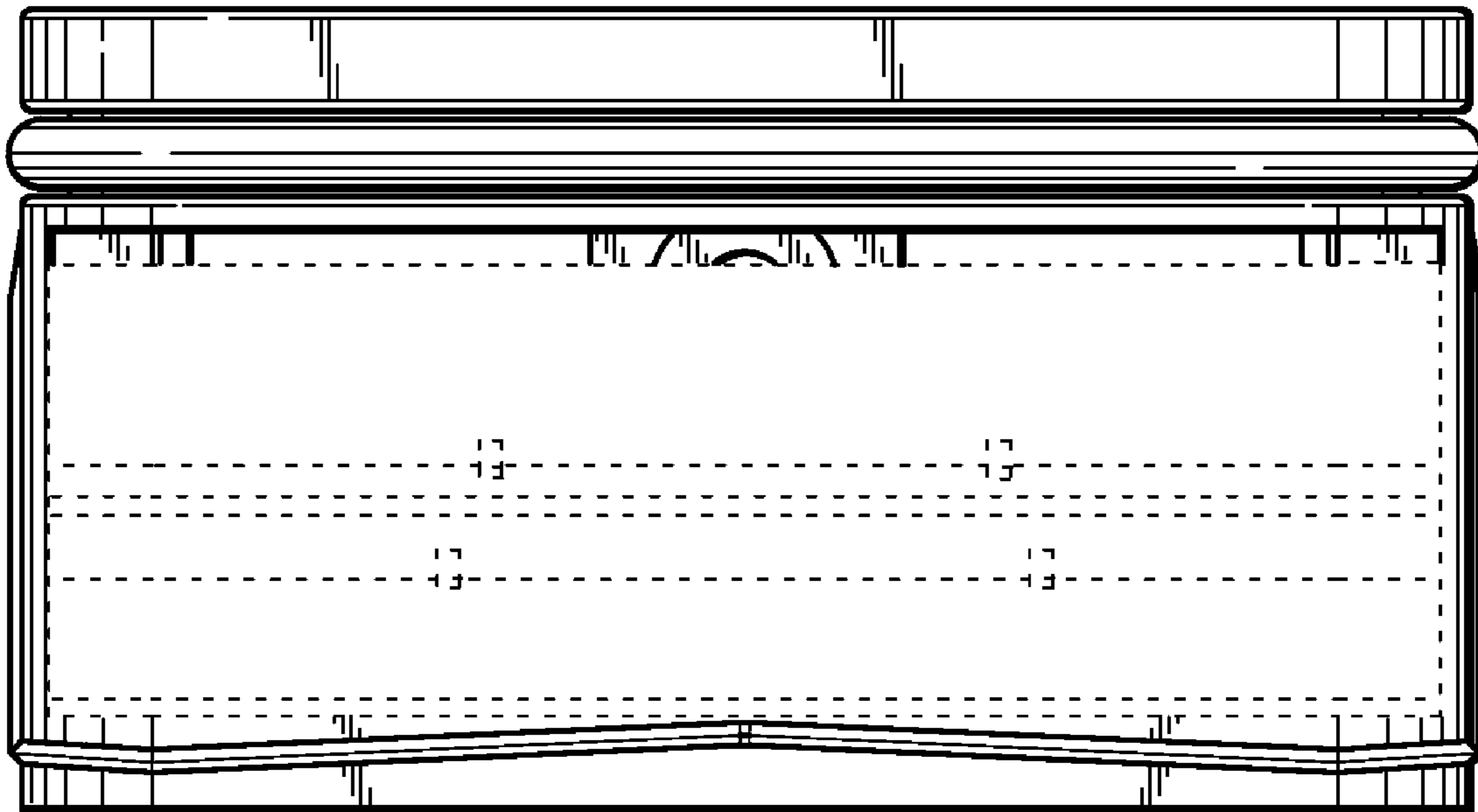


FIG. 7