



US00D616068S

(12) **United States Design Patent**
Collins

(10) **Patent No.:** **US D616,068 S**

(45) **Date of Patent:** **** May 18, 2010**

(54) **VALVE**

D455,474 S * 4/2002 Knobel et al. D23/245
D522,618 S * 6/2006 Matsushita D23/245

(75) Inventor: **Philip John Collins**, Whangarei (NZ)

* cited by examiner

(73) Assignee: **Hansen Developments Limited**,
Whangarei (NZ)

Primary Examiner—Cathron C. Brooks

Assistant Examiner—Maurice Stevens

(**) Term: **14 Years**

(74) *Attorney, Agent, or Firm*—Dann, Dorfman, Herrell and Skillman, P.C.

(21) Appl. No.: **29/320,856**

(57) **CLAIM**

(22) Filed: **Jul. 7, 2008**

The ornamental design for a valve, as shown and described.

(51) **LOC (9) Cl.** **23-01**

(52) **U.S. Cl.** **D23/233**

(58) **Field of Classification Search** D23/233–237,
D23/244–249; 251/310, 315.14, 315.16
See application file for complete search history.

DESCRIPTION

FIG. 1 is a top, front side, right end perspective view of a valve embodying the design;

FIG. 2 is a right end view thereof, the left end view being a mirror image thereof;

FIG. 3 is a front side view thereof, the rear side view being a mirror image thereof;

FIG. 4 is a top plan view thereof; and,

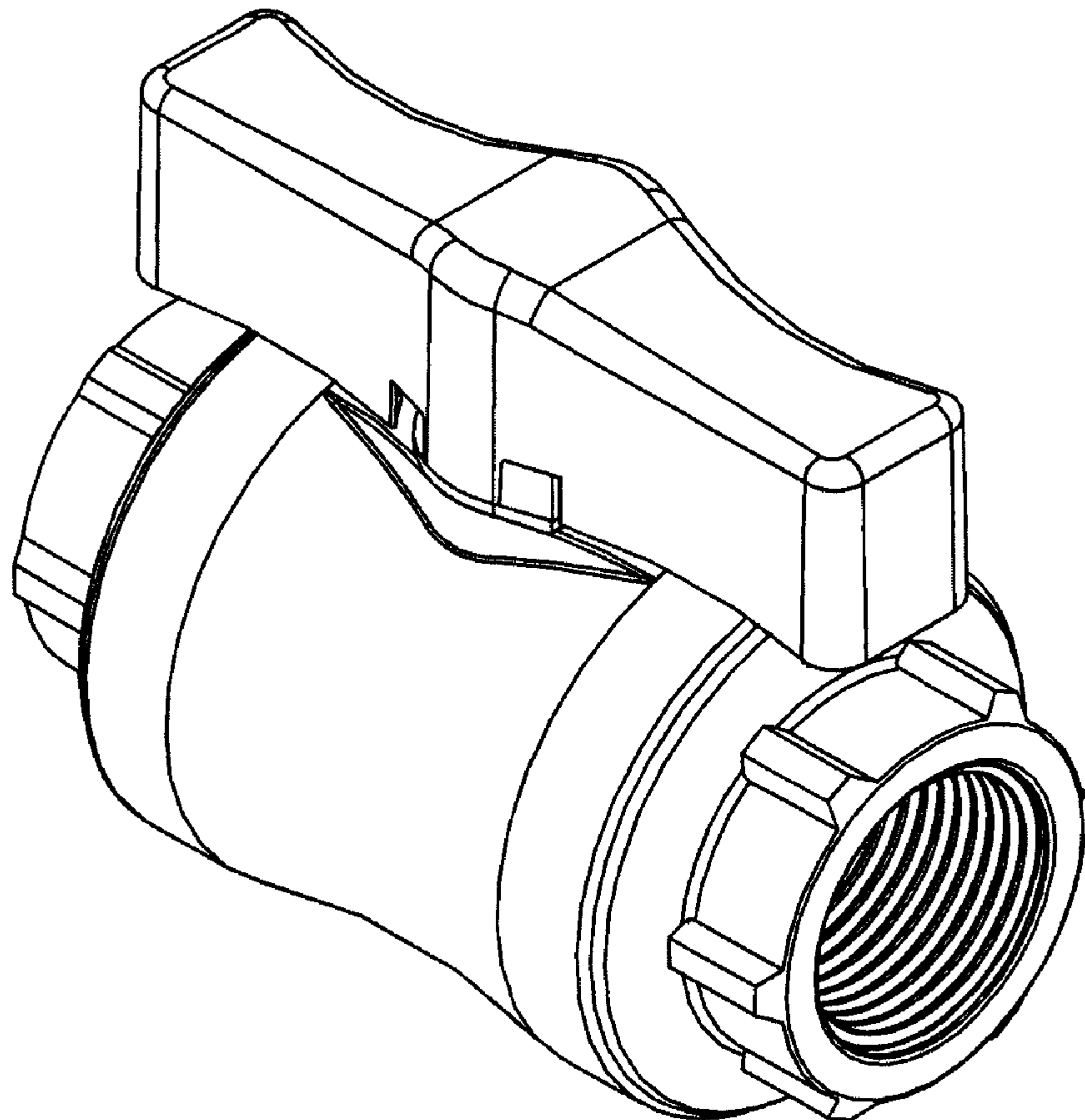
FIG. 5 is a bottom plan view thereof.

(56) **References Cited**

U.S. PATENT DOCUMENTS

D297,254 S * 8/1988 Odate et al. D23/248
D366,693 S * 1/1996 Gregor D23/245
D372,073 S * 7/1996 Ozaki et al. D23/245
D374,066 S * 9/1996 Gregor D23/233

1 Claim, 3 Drawing Sheets



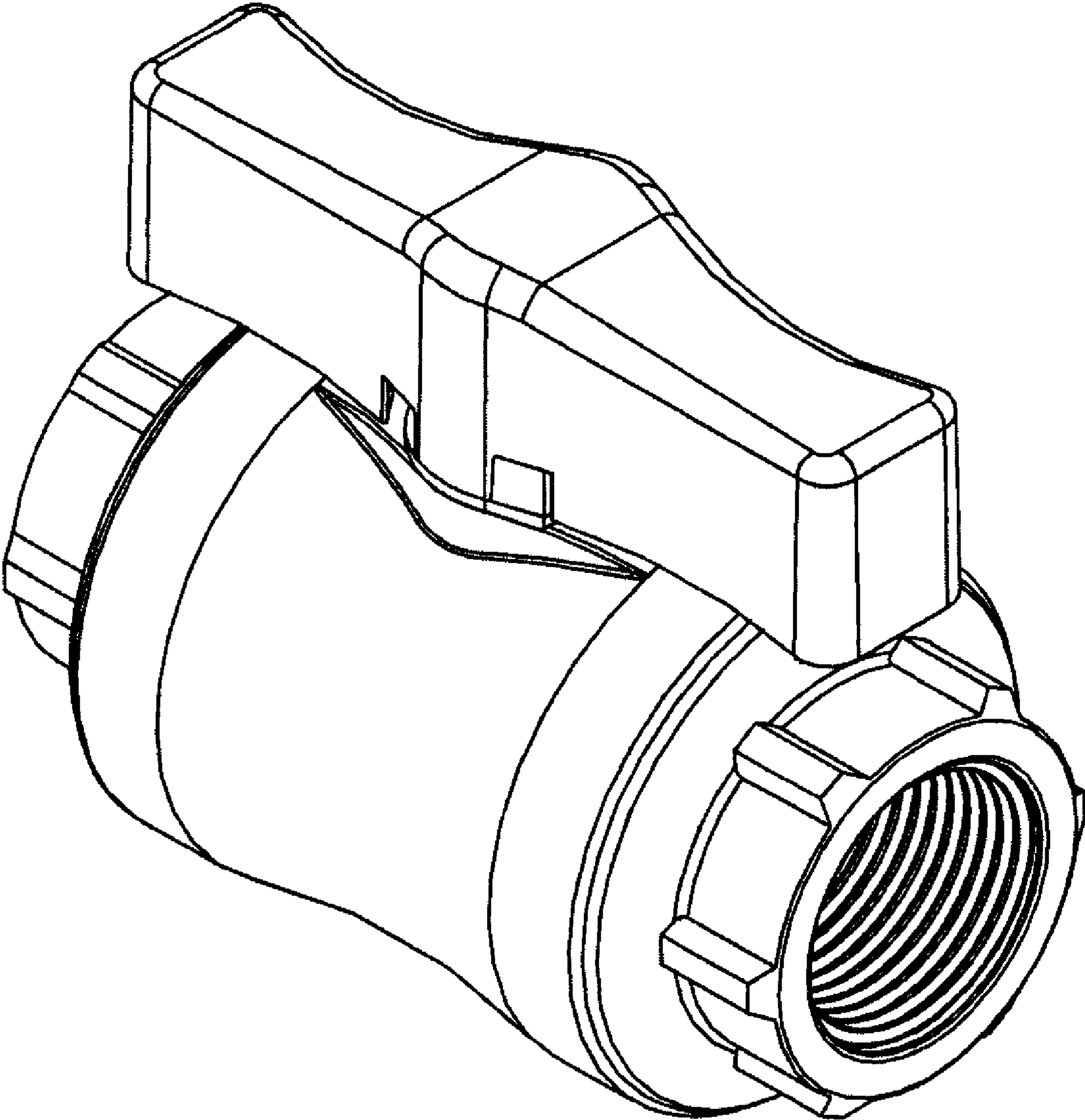


FIG. 1

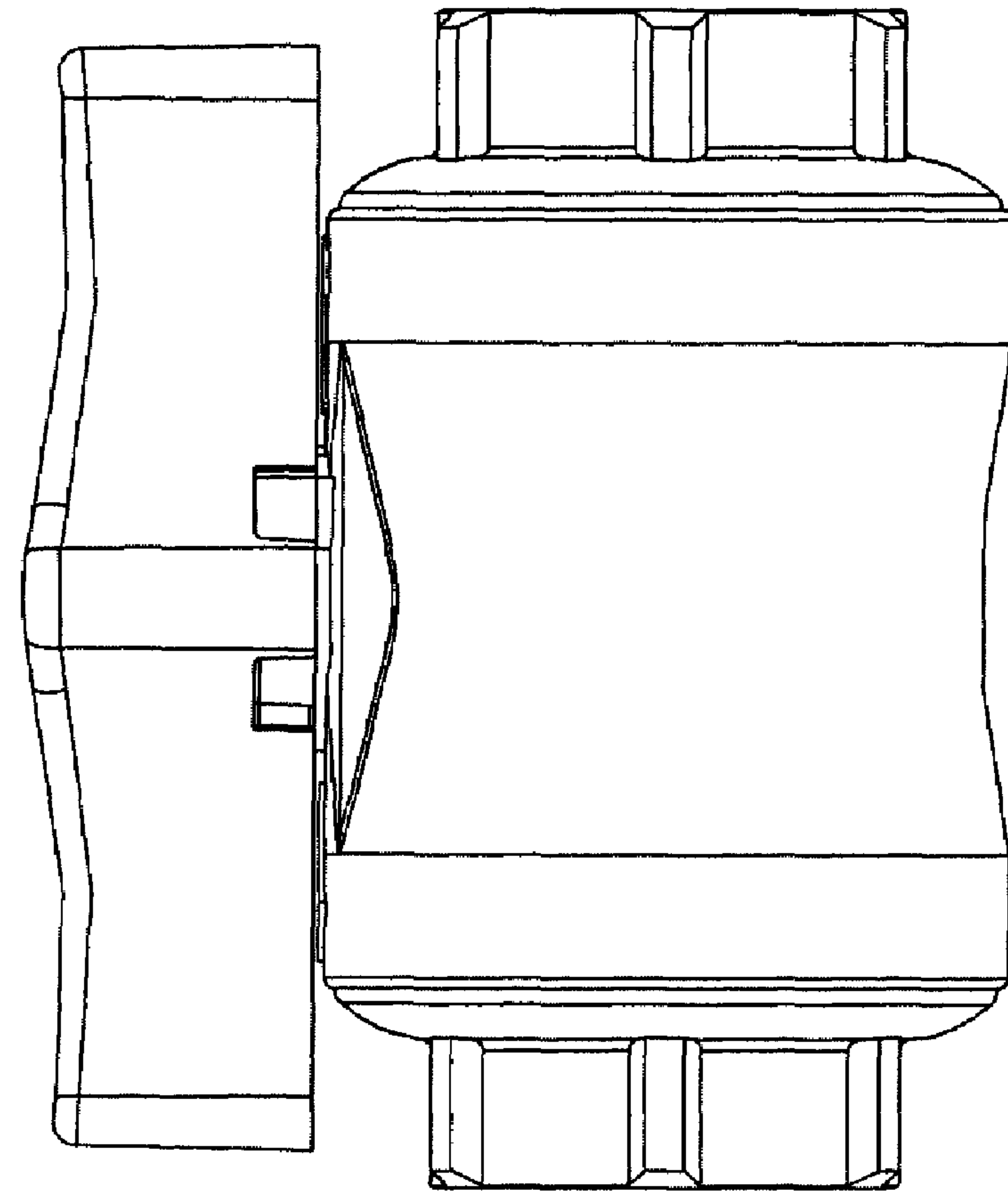


FIG. 3

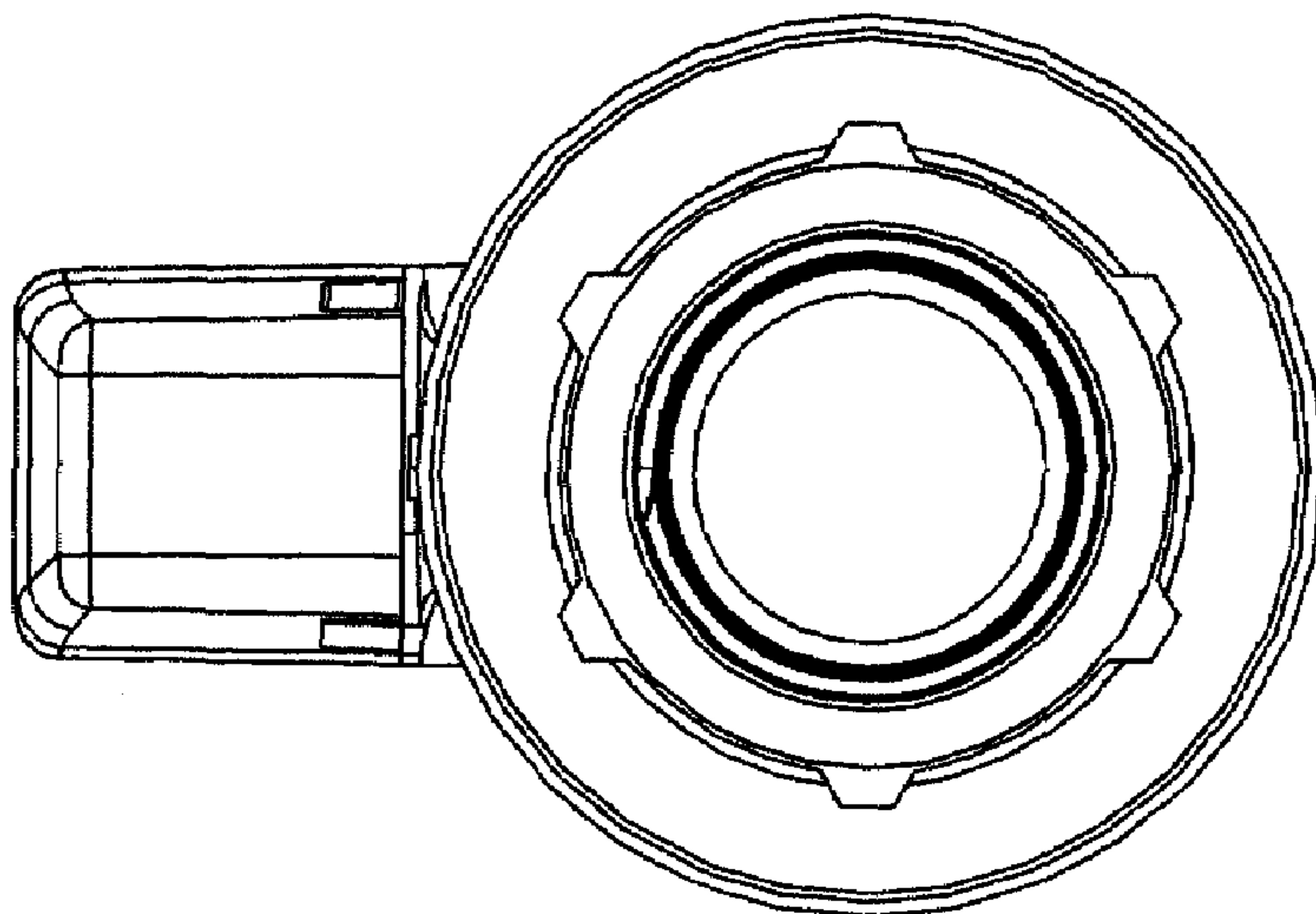


FIG. 2

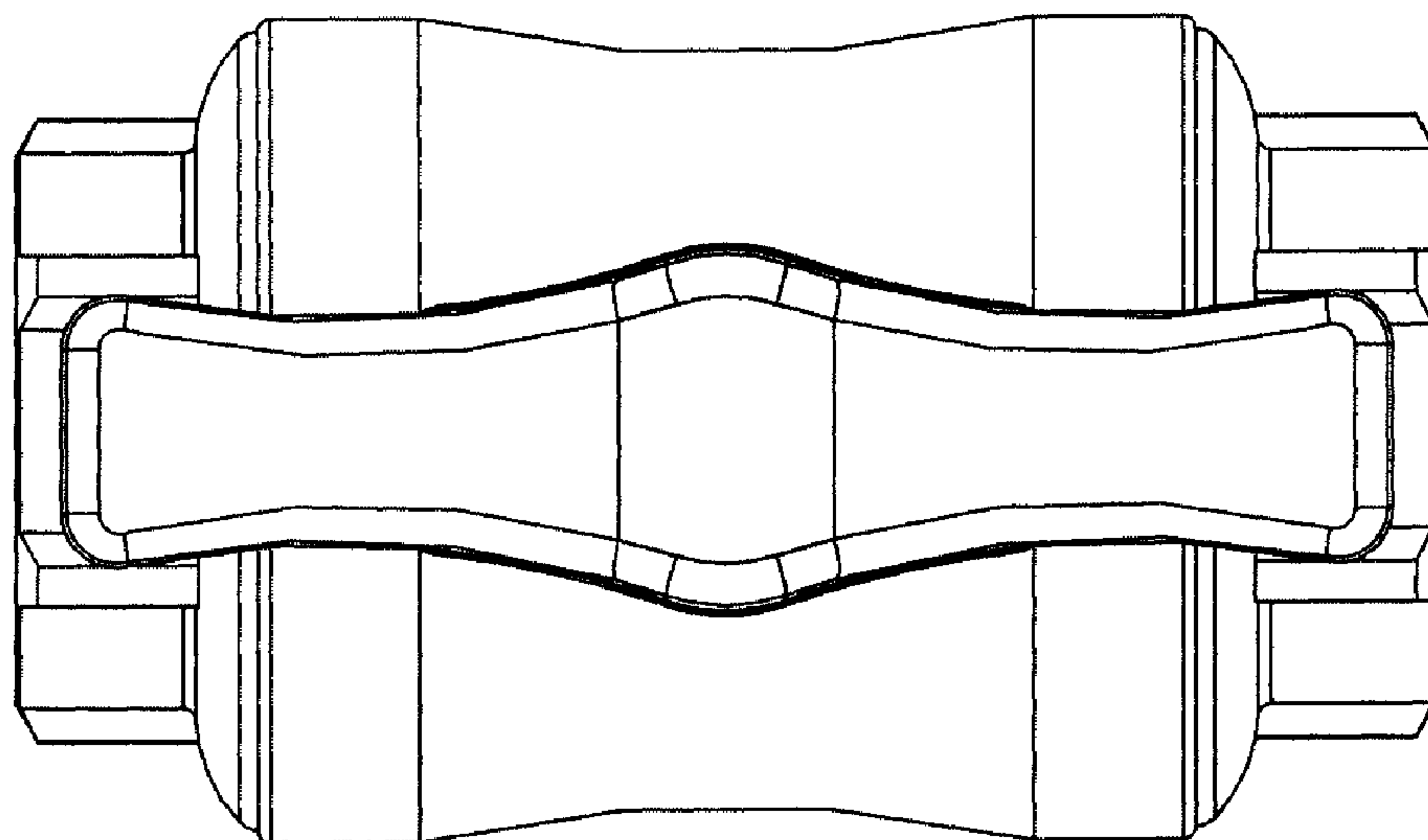


FIG. 4

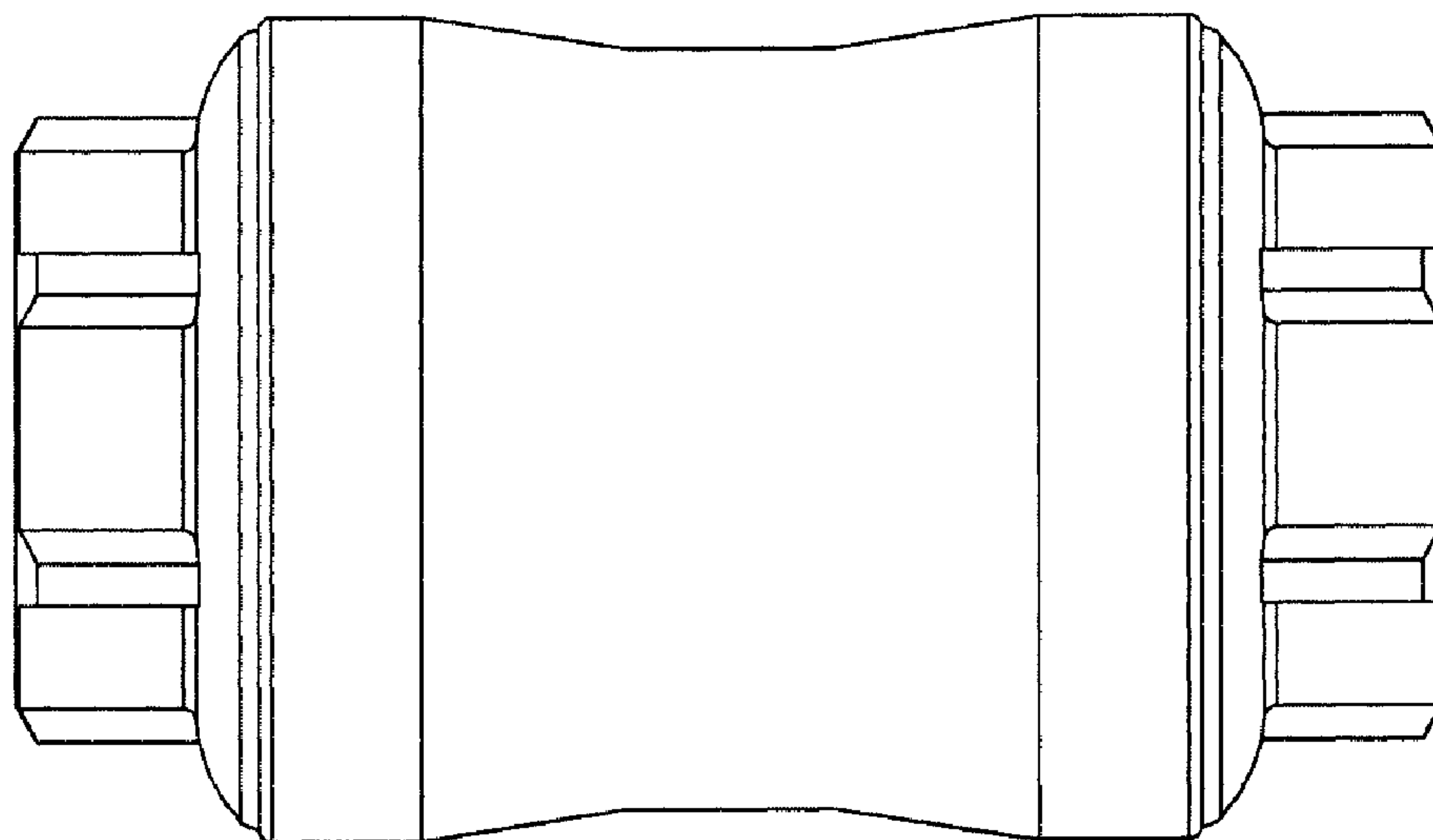


FIG. 5