



US00D616067S

(12) **United States Design Patent**
Cavagna

(10) **Patent No.:** **US D616,067 S**

(45) **Date of Patent:** **** May 18, 2010**

(54) **APPARATUS FOR GAS DELIVERY**

D403,050 S * 12/1998 Schlick D23/235
D453,206 S * 1/2002 Hsiao D23/235

(75) Inventor: **Savio Cavagna**, Calcinato (IT)

* cited by examiner

(73) Assignee: **Cavagna Group S.p.A.**, Calcinato (IT)

Primary Examiner—Cathron C. Brooks

(**) Term: **14 Years**

Assistant Examiner—Maurice Stevens

(21) Appl. No.: **29/271,204**

(74) *Attorney, Agent, or Firm*—Modiano & Associati; Albert Josif; Daniel J. O’Byrne

(22) Filed: **Jan. 12, 2007**

(57) **CLAIM**

(30) **Foreign Application Priority Data**

The ornamental design for the “apparatus for gas delivery”, as shown and described.

Jul. 17, 2006 (EM) 000561741

DESCRIPTION

(51) **LOC (9) Cl.** **23-01**

FIG. 1 is a perspective view of an apparatus for gas delivery showing my new design;

(52) **U.S. Cl.** **D23/233**

(58) **Field of Classification Search** D23/233–237,
D23/244–249; 137/460, 505.37, 505.42,
137/505.46, 505.47, 607

FIG. 2 is a plan view thereof, taken from above;

See application file for complete search history.

FIG. 3 is a front elevation view thereof;

FIG. 4 is a rear elevation view thereof;

(56) **References Cited**

U.S. PATENT DOCUMENTS

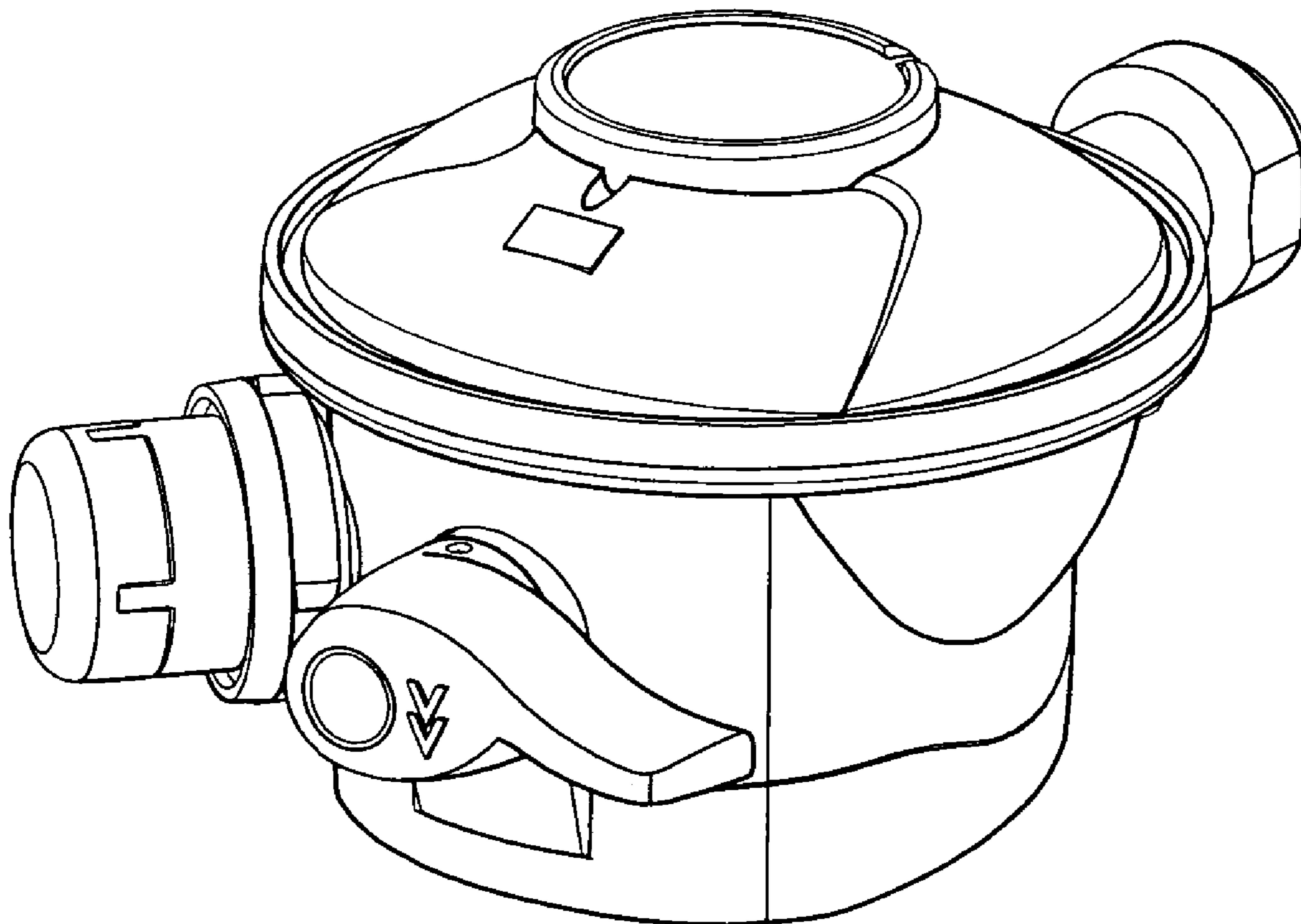
D362,488 S * 9/1995 Lee D23/235
D362,712 S * 9/1995 Lee D23/235
D379,845 S * 6/1997 Lee D23/235

FIG. 5 is a right side elevation view thereof;

FIG. 6 is a left side elevation view thereof; and,

FIG. 7 is a plan view thereof, taken from below.

1 Claim, 4 Drawing Sheets



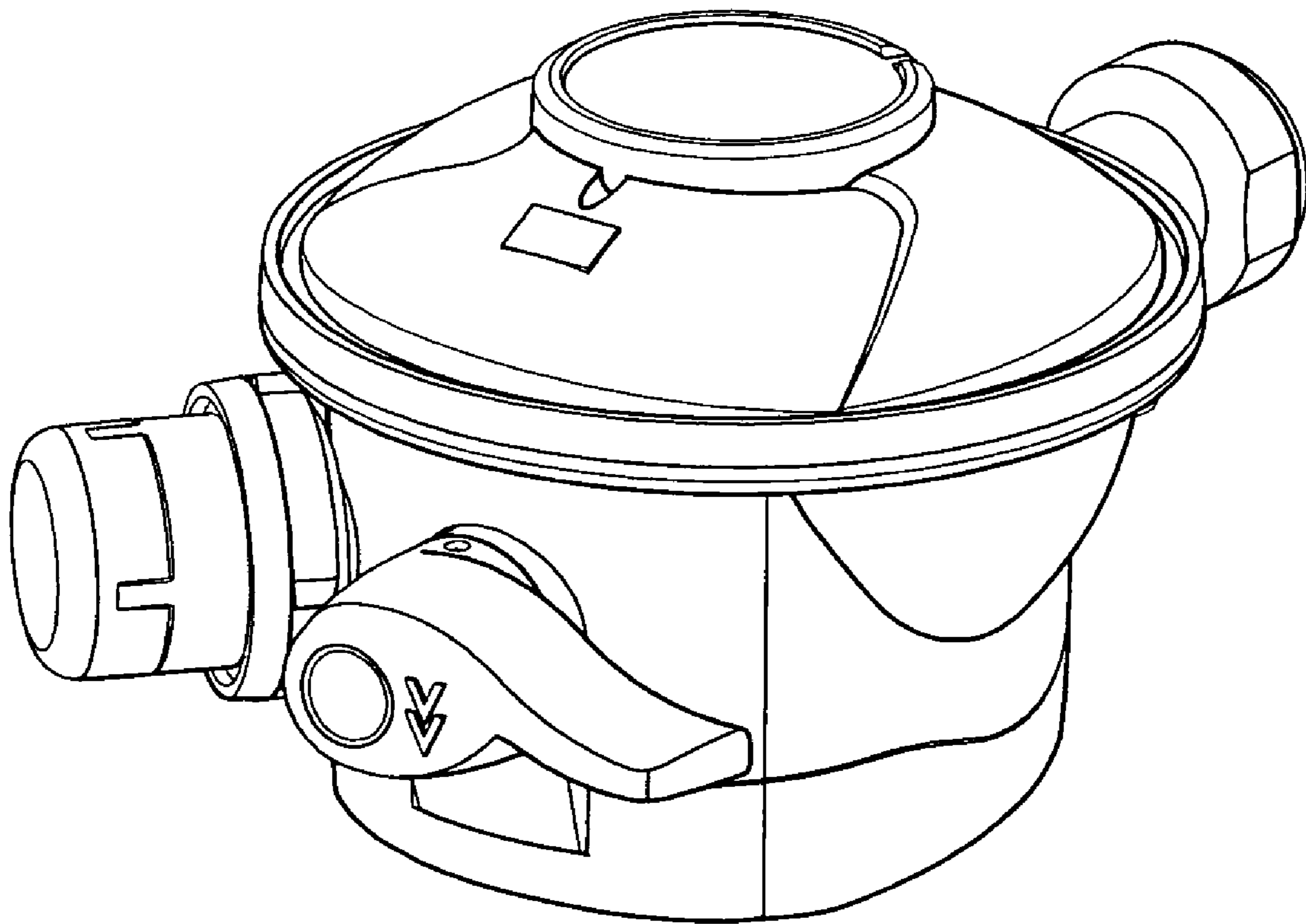


Fig. 1

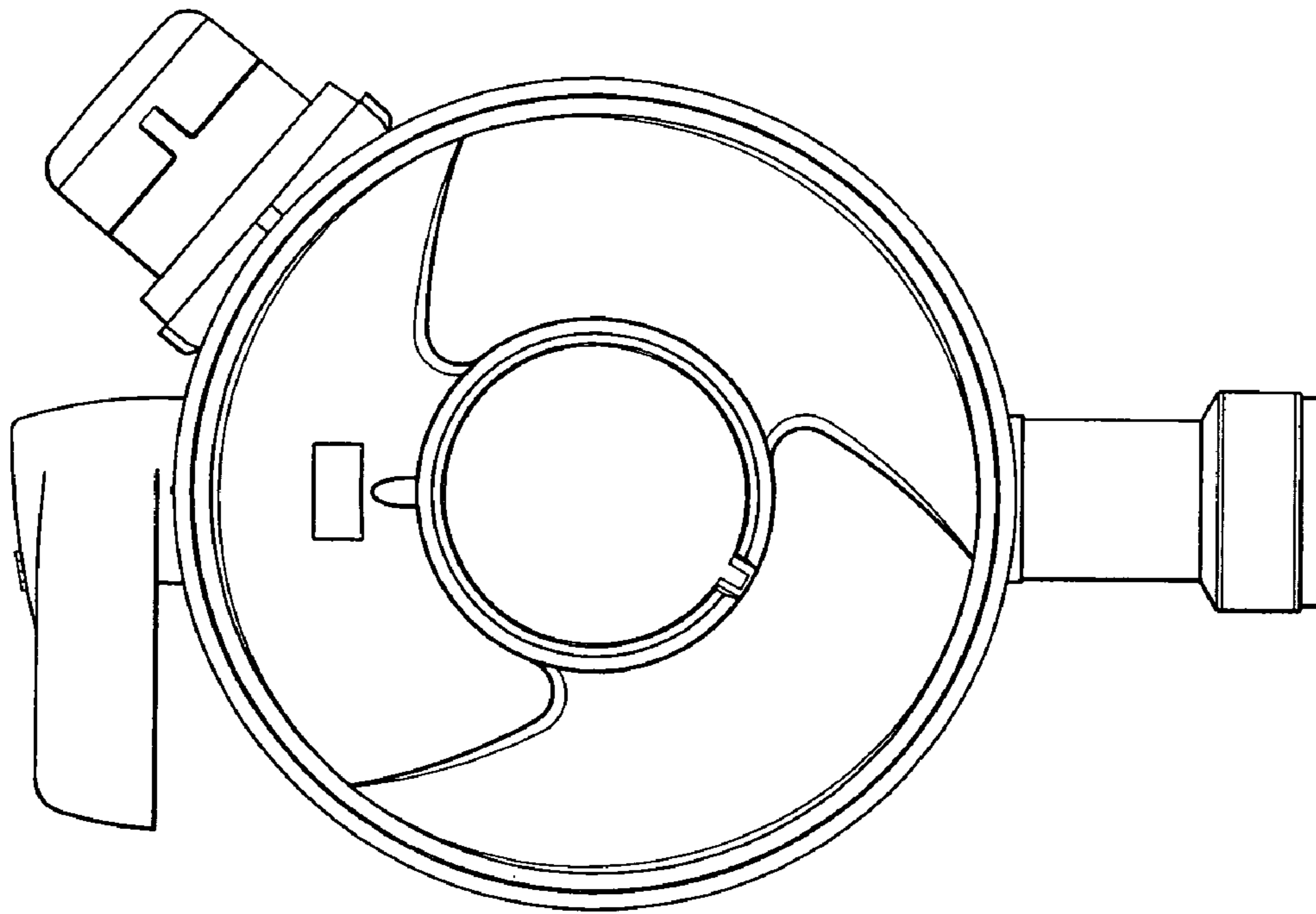


Fig. 2

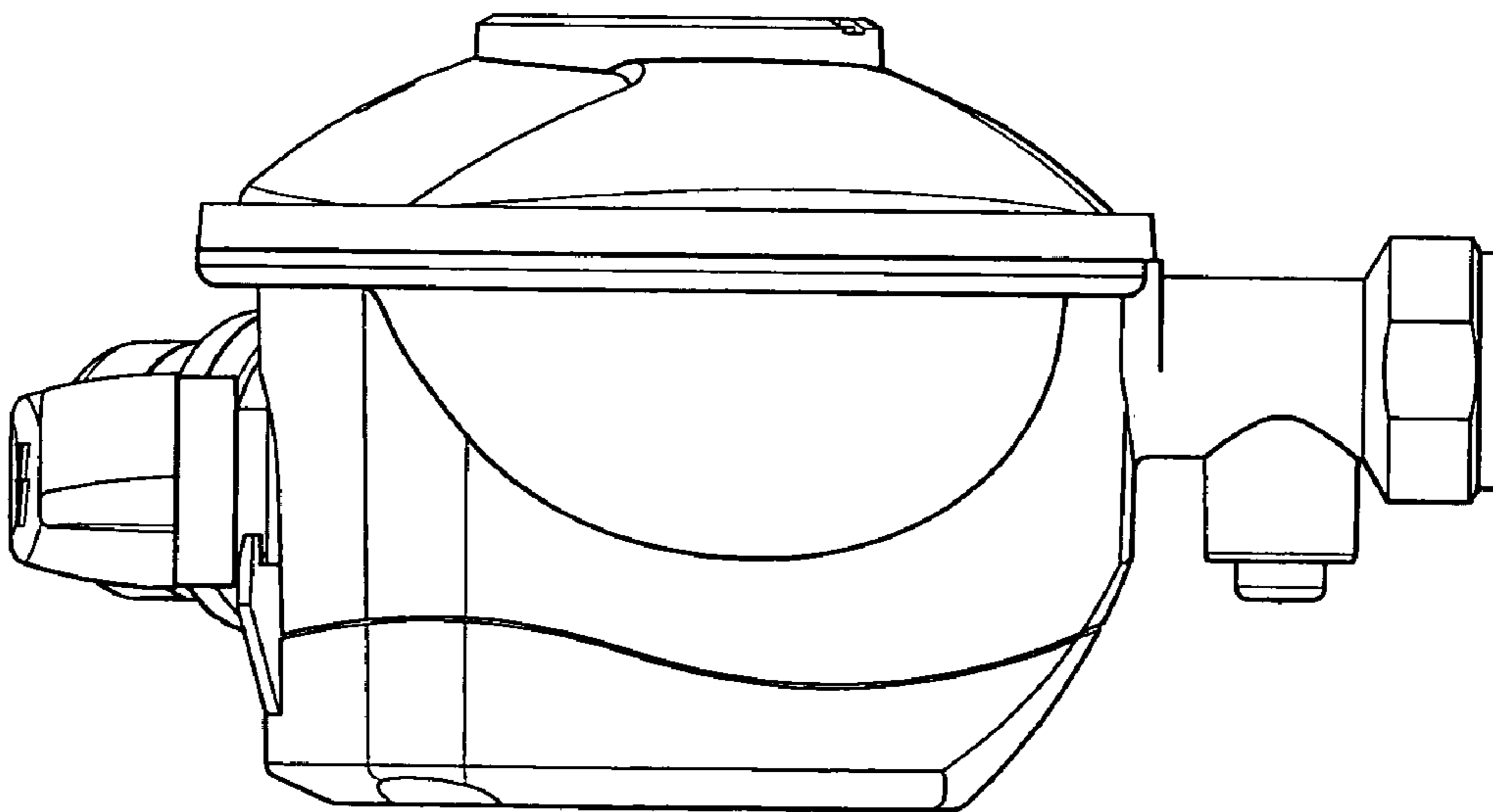


Fig. 3

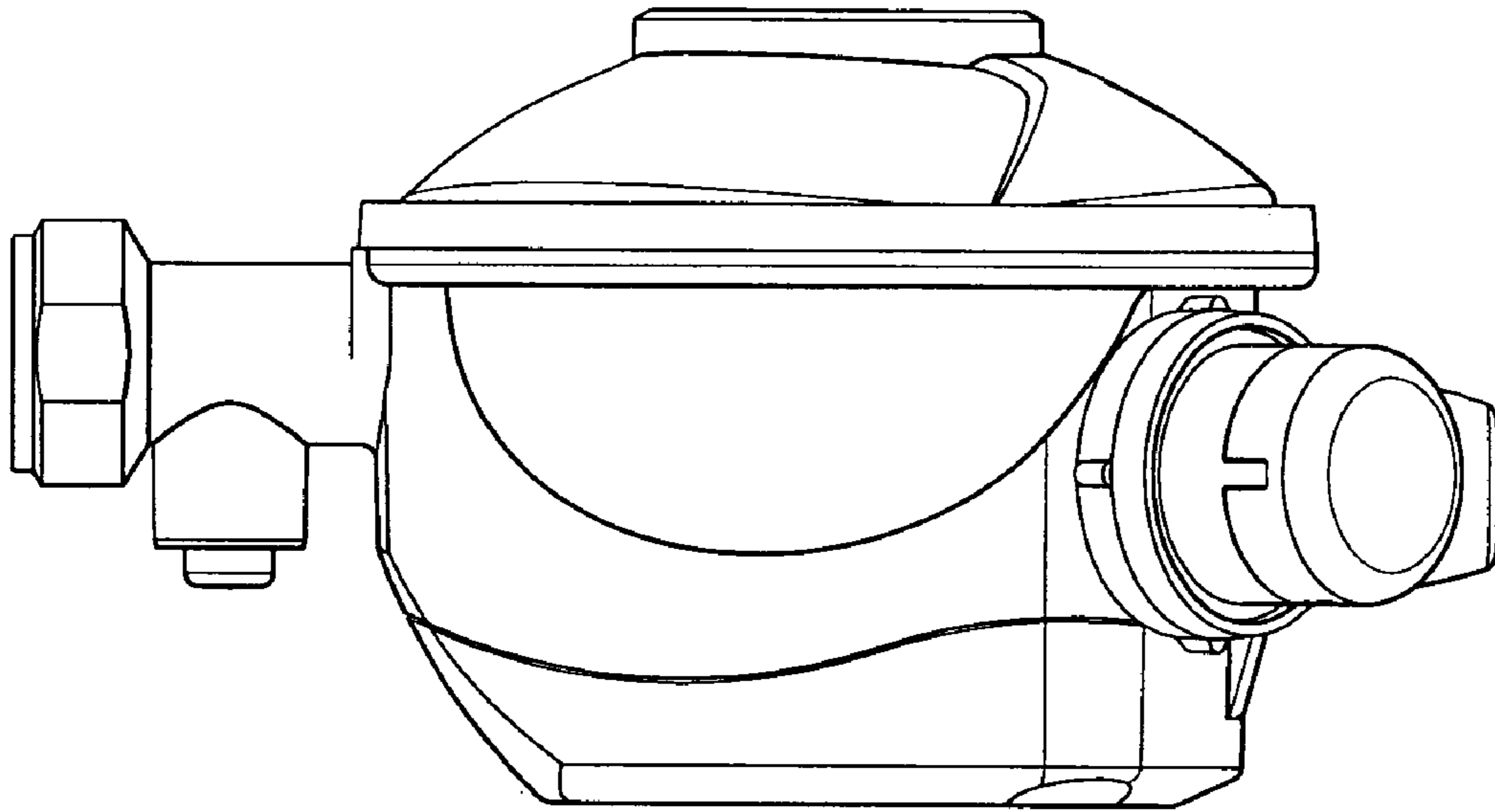


Fig. 4

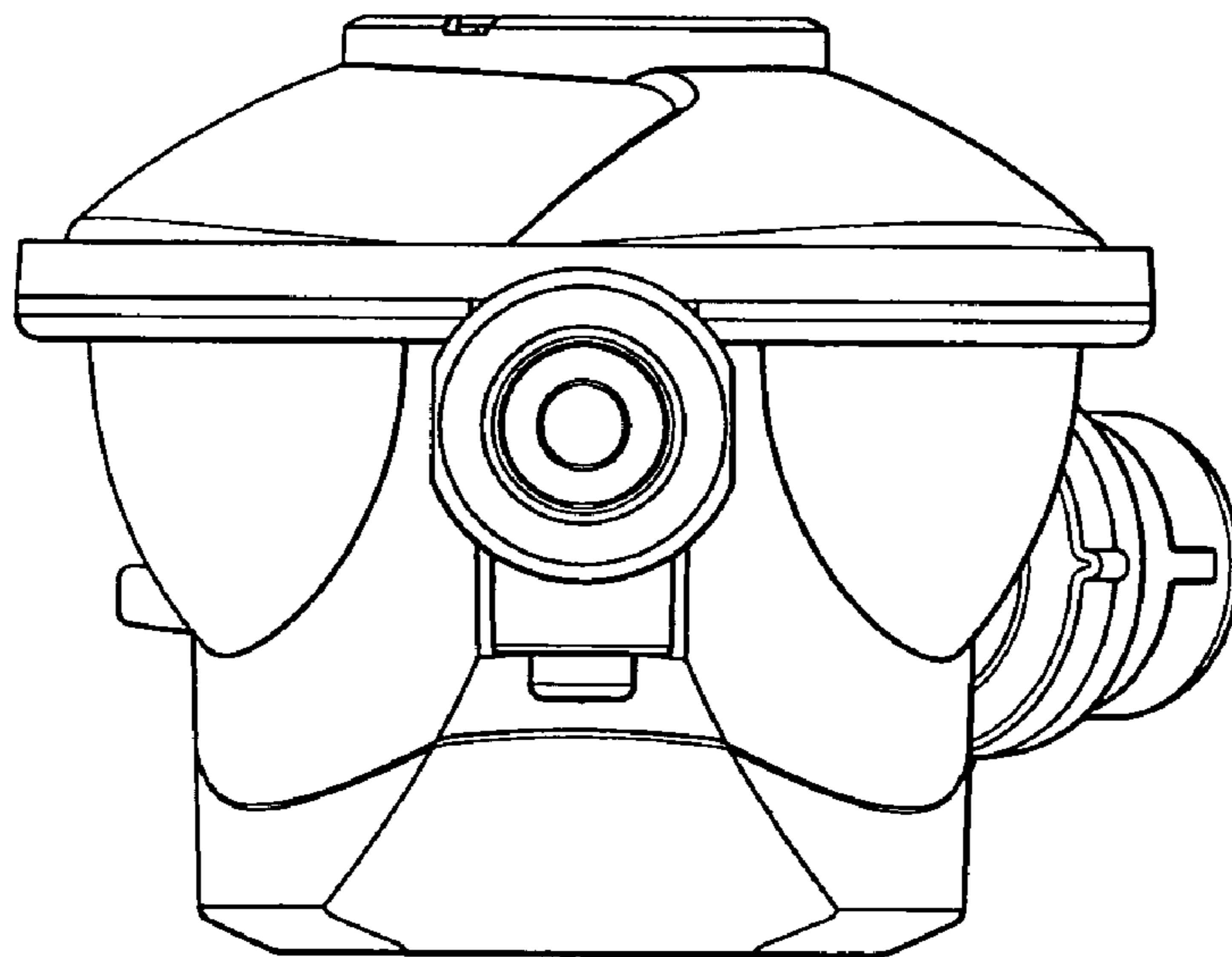


Fig. 5

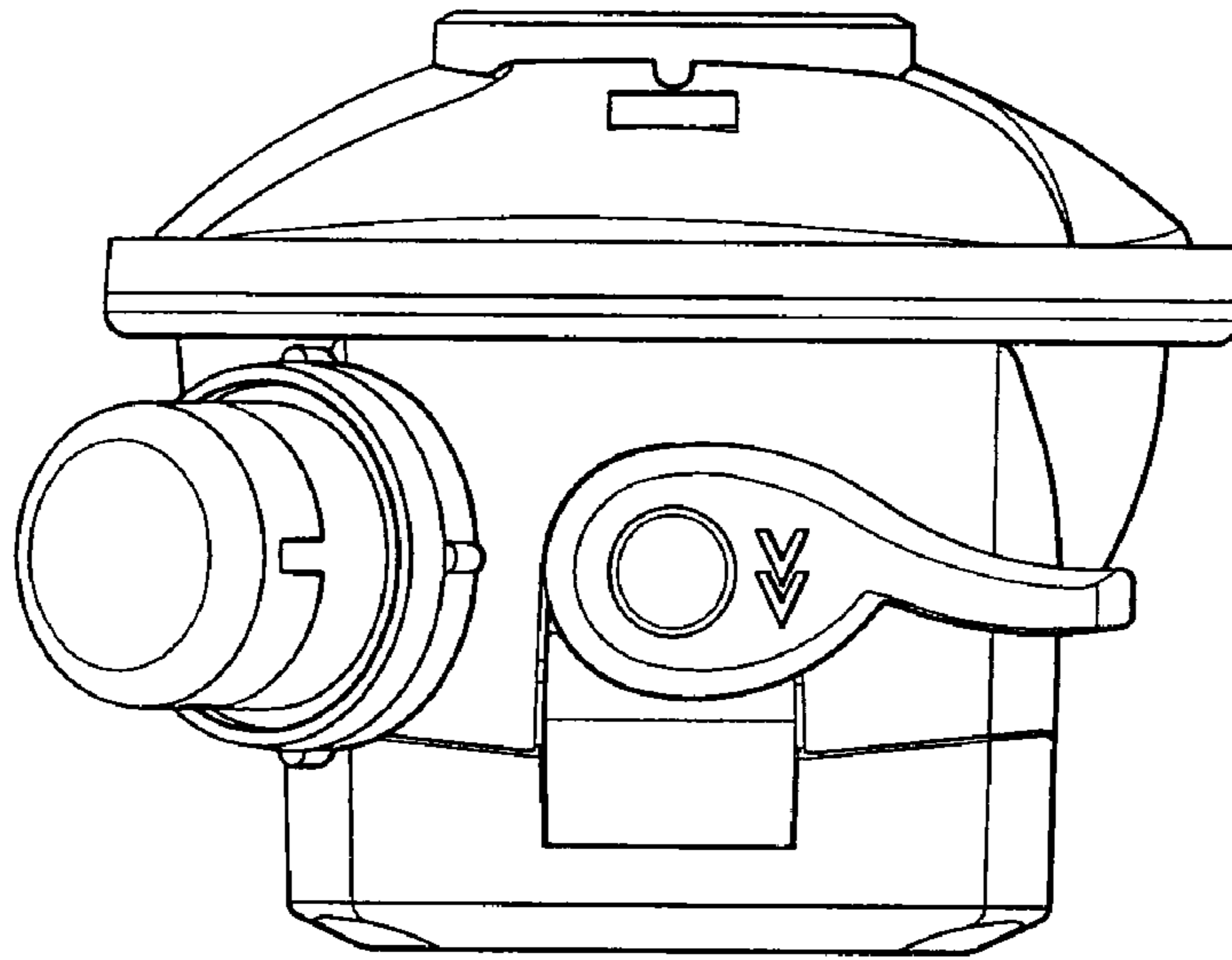


Fig. 6

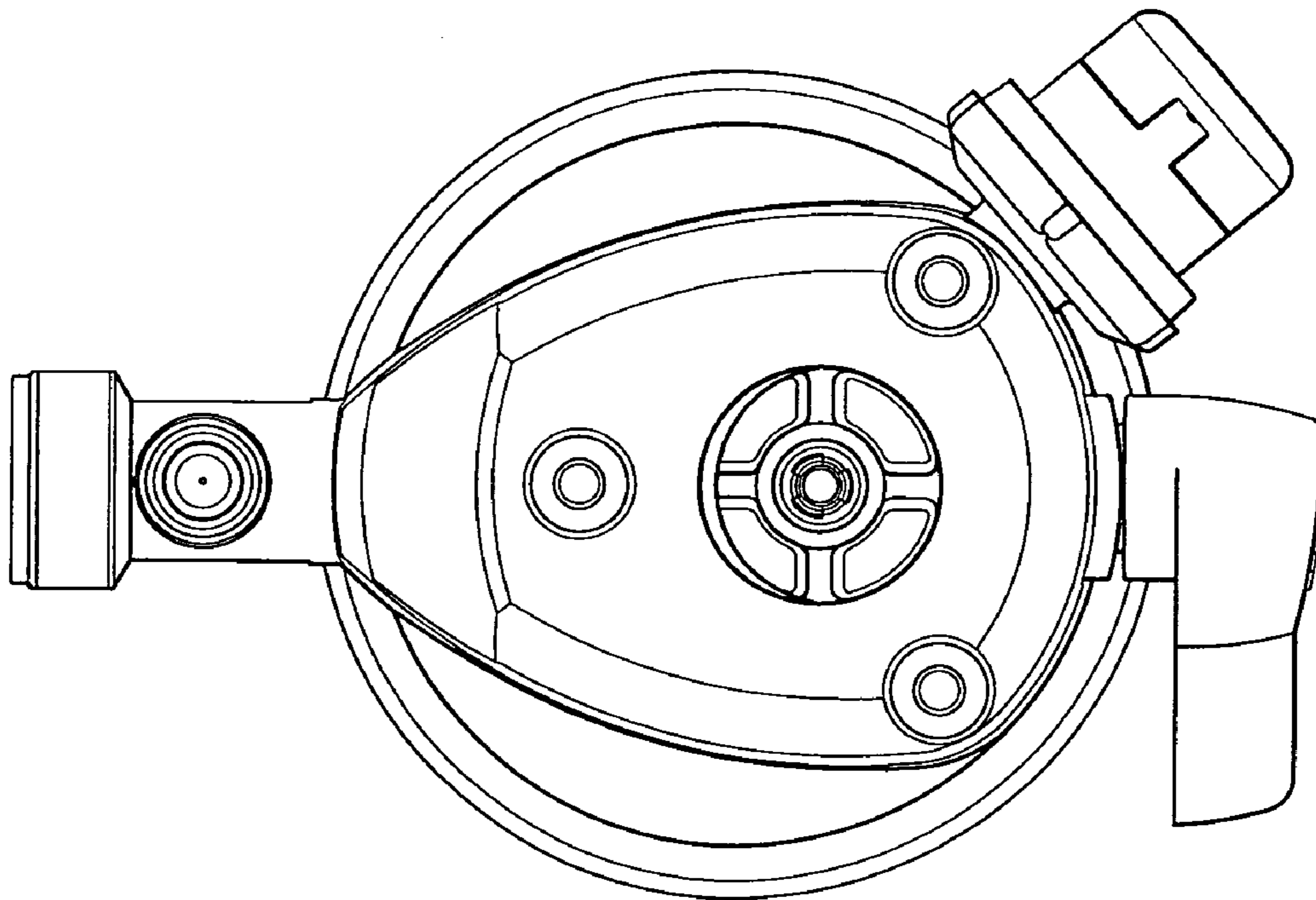


Fig. 7