



US00D616065S

(12) **United States Design Patent**  
**Gundersen et al.**

(10) **Patent No.:** **US D616,065 S**  
(45) **Date of Patent:** **\*\* May 18, 2010**

(54) **PAINT SPRAYER**

(75) Inventors: **Robert J. Gundersen**, Otsego, MN  
(US); **Albert W. Lubenow**, Dalbo, MN  
(US); **Dale C. Pemberton**, Big Lake,  
MN (US)

(73) Assignee: **Graco Minnesota Inc.**, Minneapolis,  
MN (US)

(\*\*) Term: **14 Years**

(21) Appl. No.: **29/328,527**

(22) Filed: **Nov. 25, 2008**

(51) **LOC (9) Cl.** ..... **23-01**

(52) **U.S. Cl.** ..... **D23/225**

(58) **Field of Classification Search** ..... D23/213,  
D23/225; 239/332, 333, 302, 308, 146, 147,  
239/150

See application file for complete search history.

(56) **References Cited**

**U.S. PATENT DOCUMENTS**

3,940,065	A	2/1976	Ware et al.
4,768,932	A	9/1988	Geberth, Jr.
D310,117	S	8/1990	Mariol
5,292,232	A	3/1994	Krohn et al.
5,441,297	A	8/1995	Krohn et al.
5,567,323	A	10/1996	Harrison, Jr.
D377,799	S	2/1997	Kruzel et al.
5,622,480	A	4/1997	Walsh
D384,676	S	10/1997	Cyphers et al.

5,725,364	A	3/1998	Mirazita
5,769,321	A	6/1998	Cyphers
D427,283	S	*	6/2000 Bower et al. .... D23/225
D429,313	S	*	8/2000 Bower et al. .... D23/225
D435,048	S	12/2000	Breeser et al.
6,435,846	B1	8/2002	Cooper et al.
6,488,846	B1	12/2002	Marangi
6,752,067	B1	6/2004	Davidson et al.
7,071,429	B1	7/2006	Anderson et al.
D537,839	S	3/2007	Bruno et al.
7,240,909	B2	7/2007	Robens
D560,271	S	1/2008	Kesti et al.
D580,518	S	*	11/2008 Johnson et al. .... D23/225

\* cited by examiner

*Primary Examiner*—Robin V Webster

(74) *Attorney, Agent, or Firm*—Douglas B. Farrow

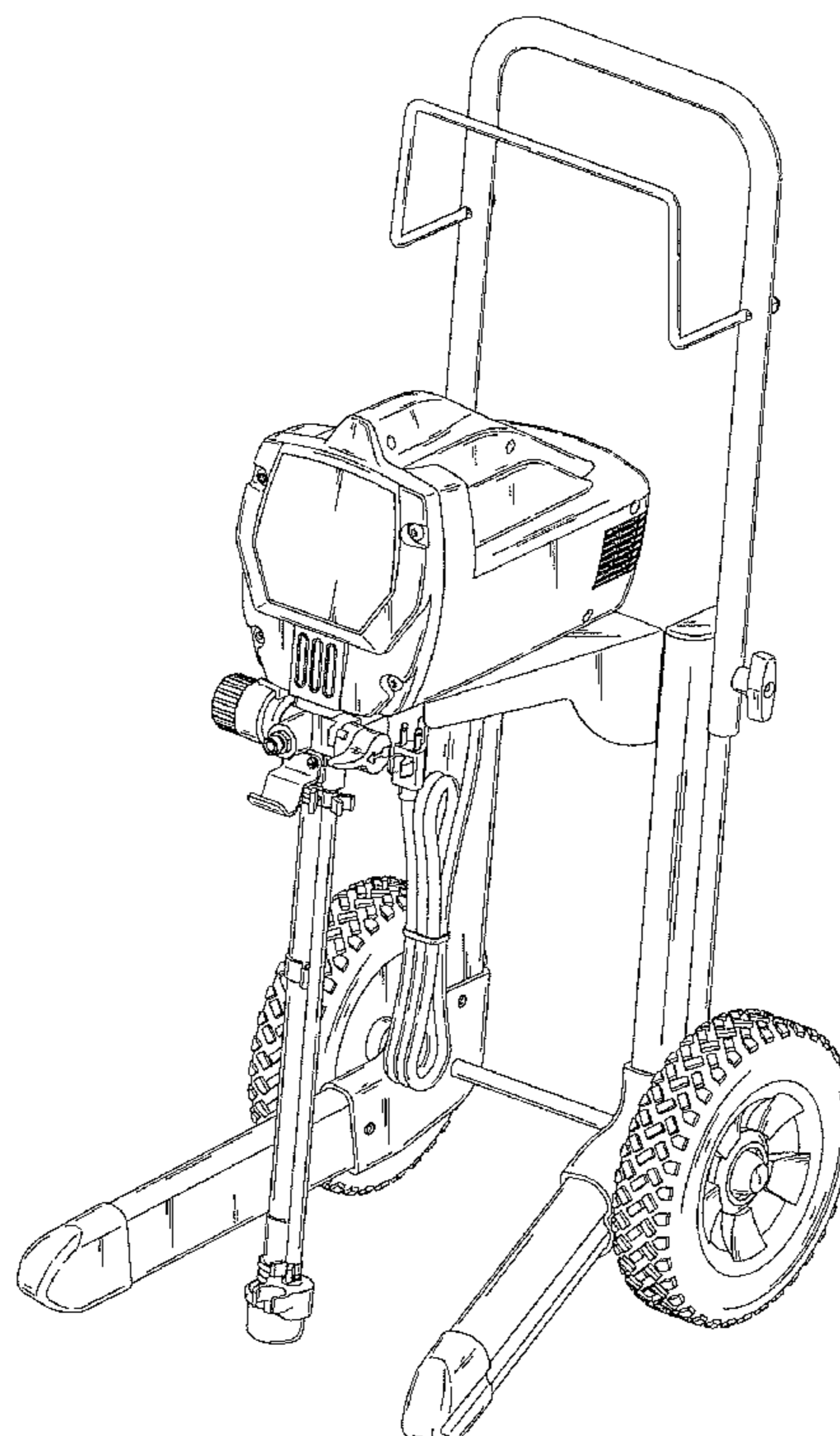
(57) **CLAIM**

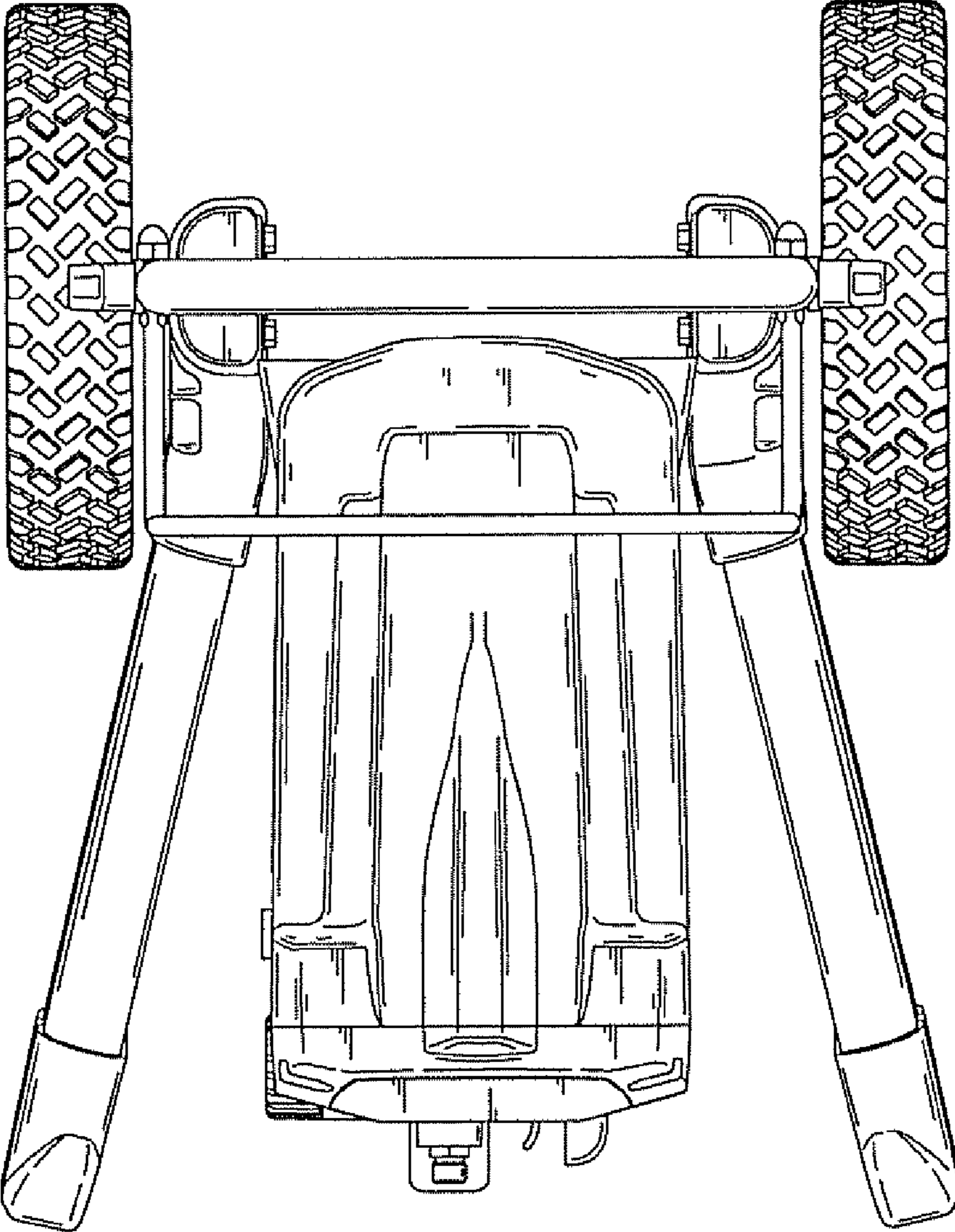
The ornamental design for a paint sprayer, as shown and described.

**DESCRIPTION**

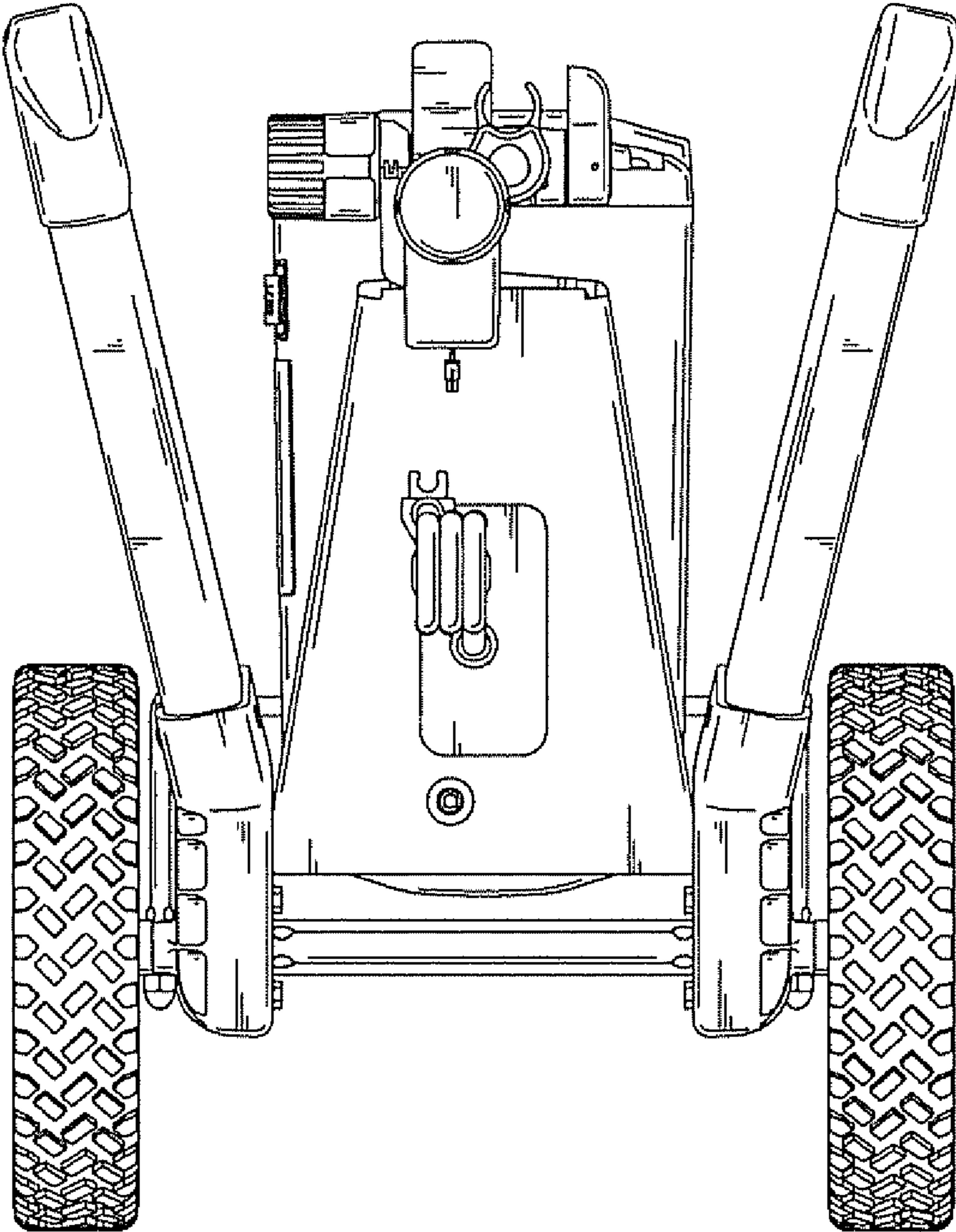
FIG. 1 is a top elevation view of the paint sprayer;  
FIG. 2 is a bottom elevation view thereof;  
FIG. 3 is a left side elevation view thereof;  
FIG. 4 is a right side elevation view thereof;  
FIG. 5 is a front elevation view thereof;  
FIG. 6 is a rear elevation view thereof; and,  
FIG. 7 is a front perspective view thereof.

**1 Claim, 7 Drawing Sheets**

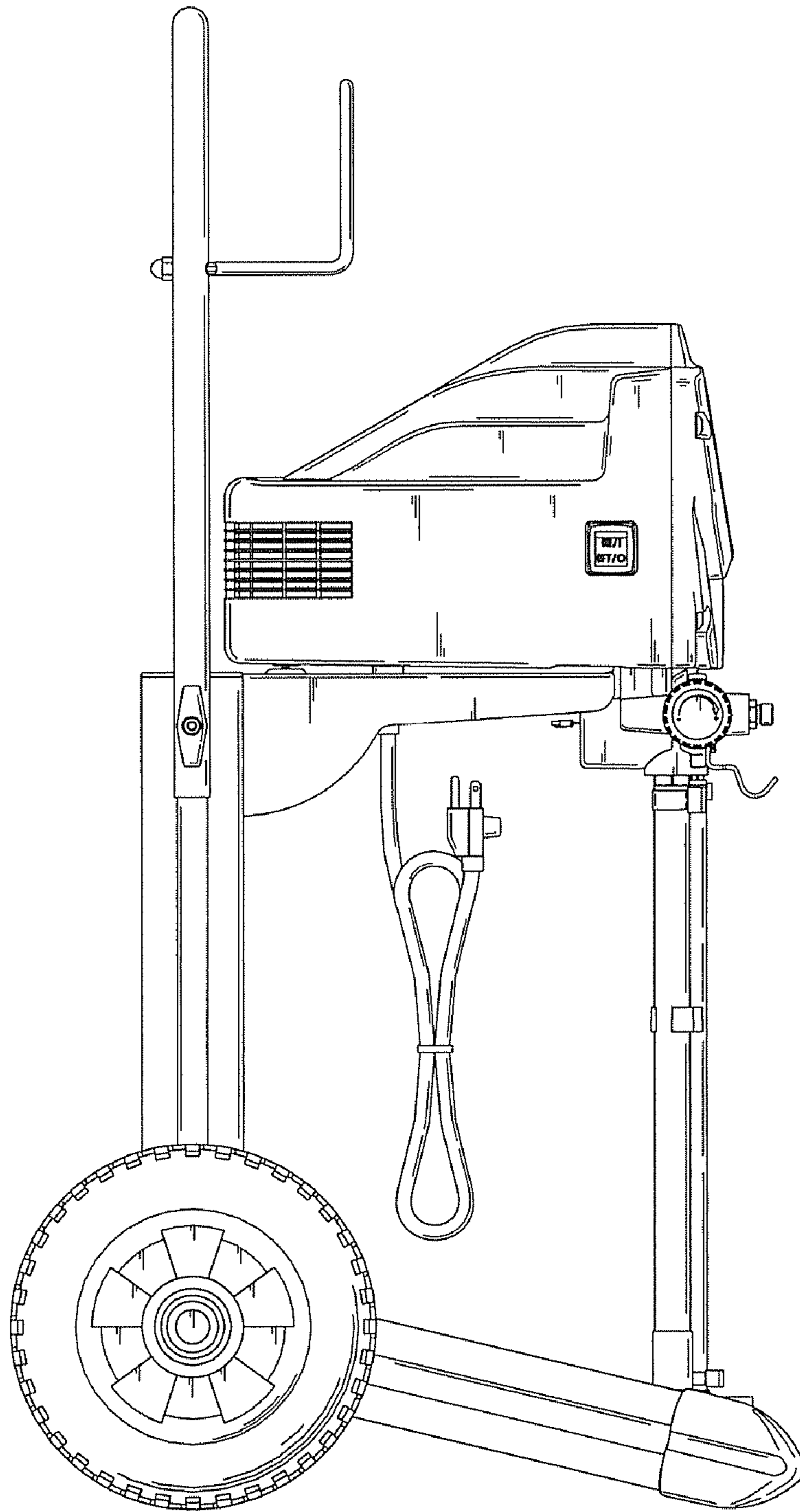




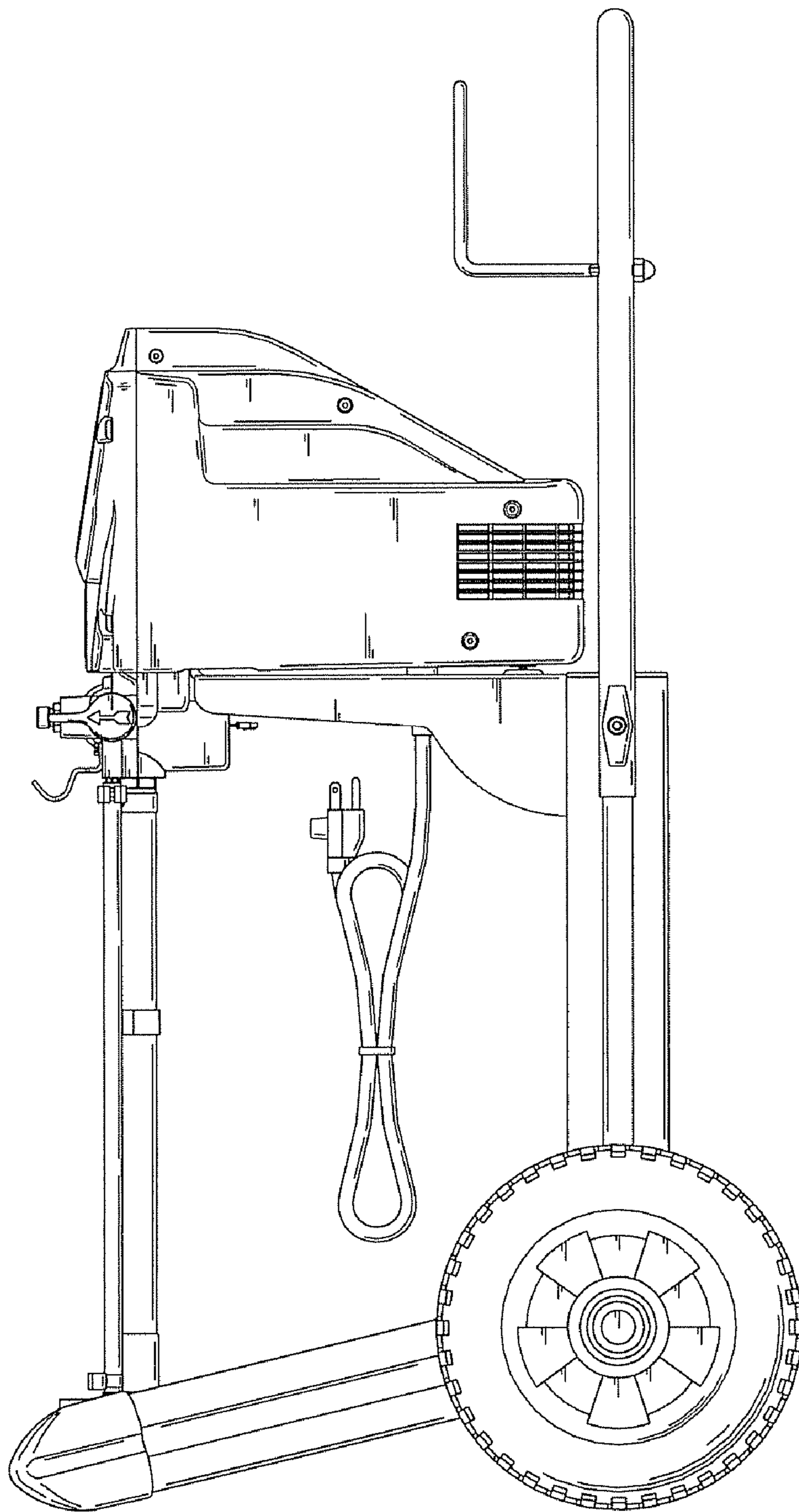
**FIG. 1**



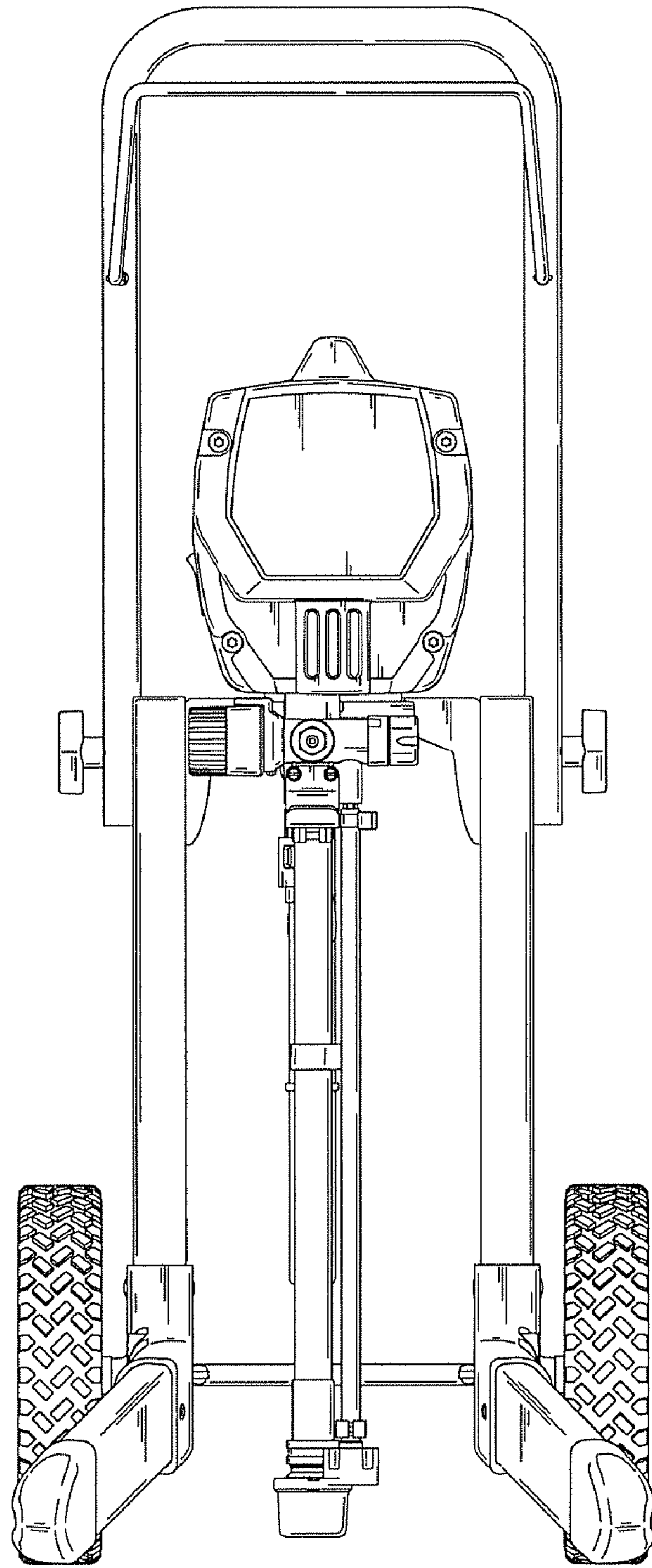
**FIG. 2**



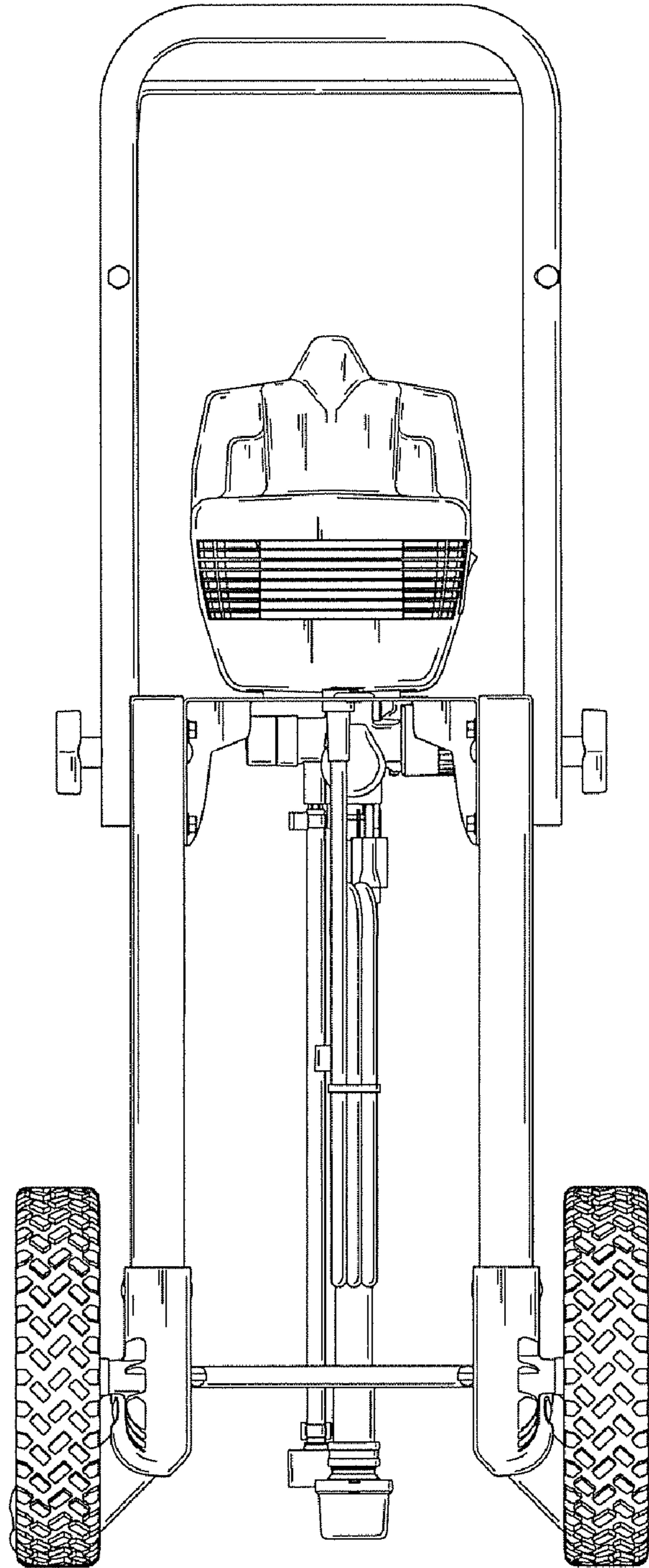
**FIG. 3**



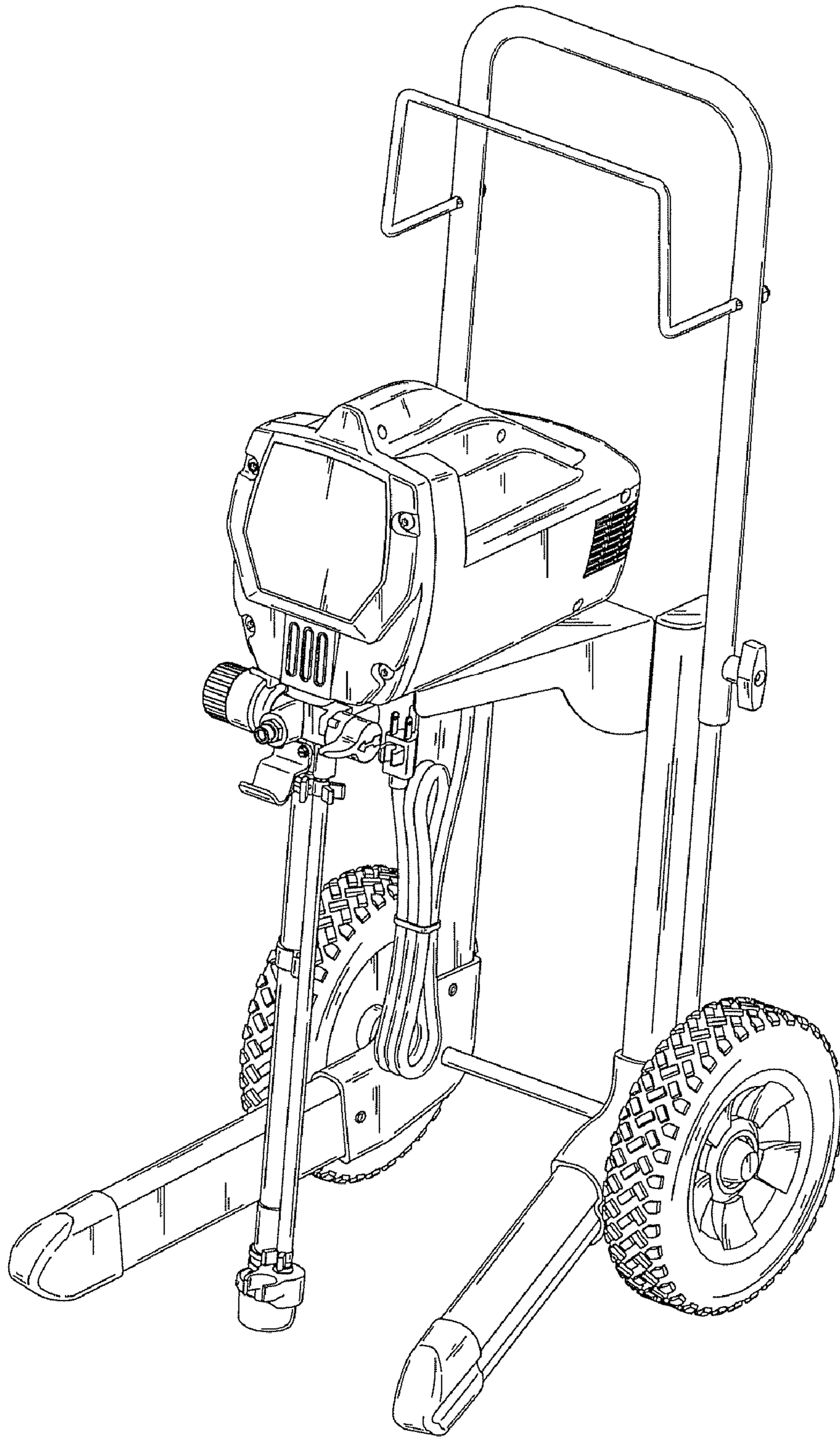
**FIG. 4**



**FIG. 5**



**FIG. 6**



**FIG. 7**