



US00D616064S

(12) **United States Design Patent**
Mattson et al.

(10) **Patent No.:** **US D616,064 S**
(45) **Date of Patent:** **** May 18, 2010**

(54) **TEXTURE SPRAYER**

(75) Inventors: **Barry W. Mattson**, Elk River, MN (US);
William M. Blenkush, Becker, MN
(US); **David M. Larsen**, Albertville, MN
(US); **Chad R. Taszarek**, Albertville,
MN (US); **Glen W. Davidson**, Roseville,
MN (US); **Eric J. Finstad**, Rogers, MN
(US); **Thomas E. Kariniemi**, Buffalo,
MN (US); **James C. Schroeder**,
Ramsey, MN (US)

(73) Assignee: **Graco Minnesota Inc.**, Minneapolis,
MN (US)

(**) Term: **14 Years**

(21) Appl. No.: **29/317,161**

(22) Filed: **Apr. 23, 2008**

(51) **LOC (9) Cl.** **23-01**

(52) **U.S. Cl.** **D23/225**

(58) **Field of Classification Search** D23/213,
D23/225; 239/146, 147, 150; 401/48, 195

See application file for complete search history.

(56) **References Cited**

U.S. PATENT DOCUMENTS

D526,045 S * 8/2006 Gundersen et al. D23/225
D572,795 S * 7/2008 Kieffer D23/225
D580,517 S * 11/2008 Mattson et al. D23/225

* cited by examiner

Primary Examiner—Robin V Webster
(74) *Attorney, Agent, or Firm*—Douglas B. Farrow

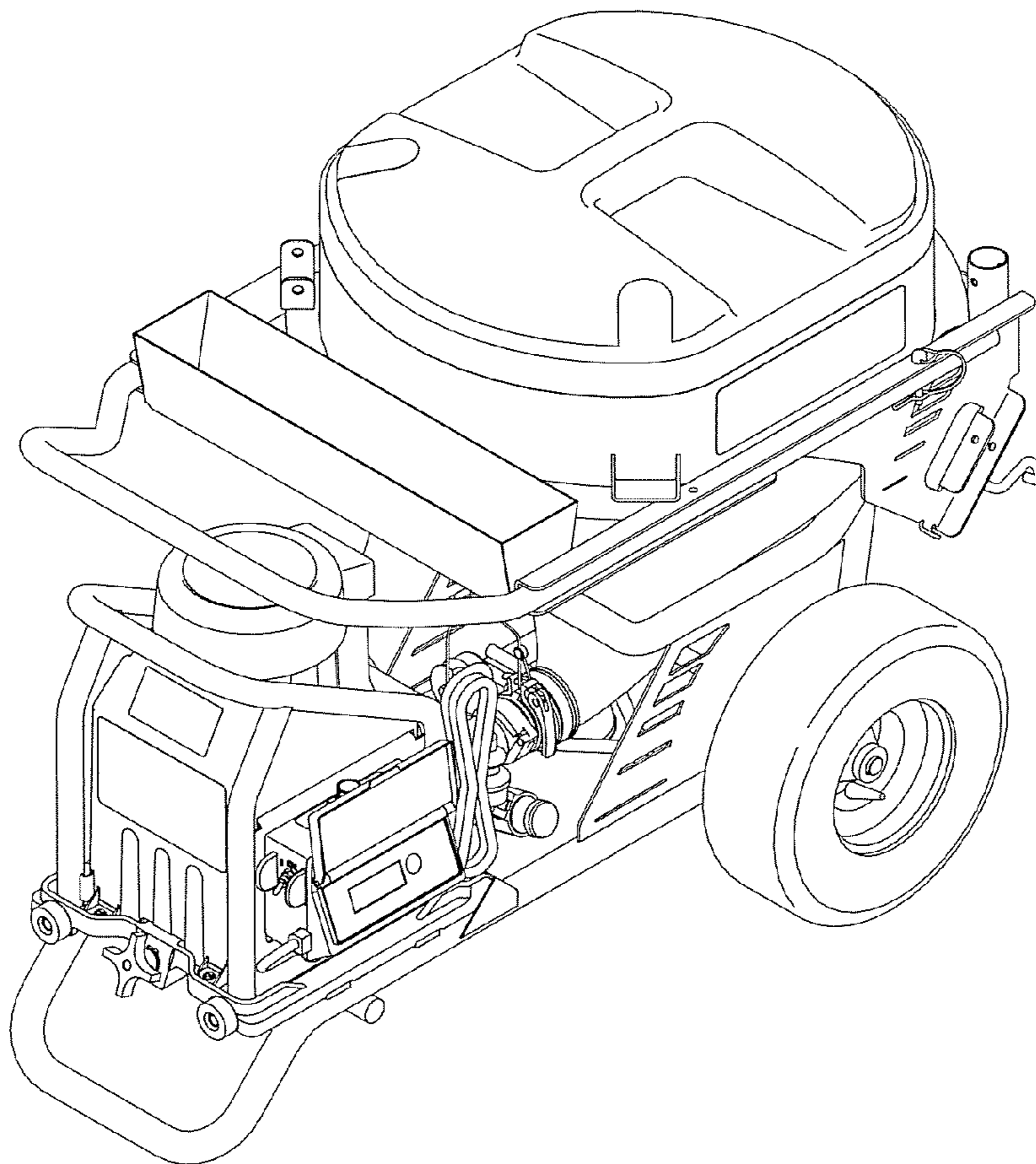
(57) **CLAIM**

The ornamental design for the texture sprayer, as shown and described.

DESCRIPTION

FIG. 1 is a rear perspective view of the texture sprayer;
FIG. 2 is a top elevation view thereof;
FIG. 3 is a left side elevation view thereof;
FIG. 4 is a rear elevation view thereof;
FIG. 5 is a right side elevation view thereof;
FIG. 6 is a front elevation view thereof; and,
FIG. 7 is a bottom elevation view thereof.

1 Claim, 7 Drawing Sheets



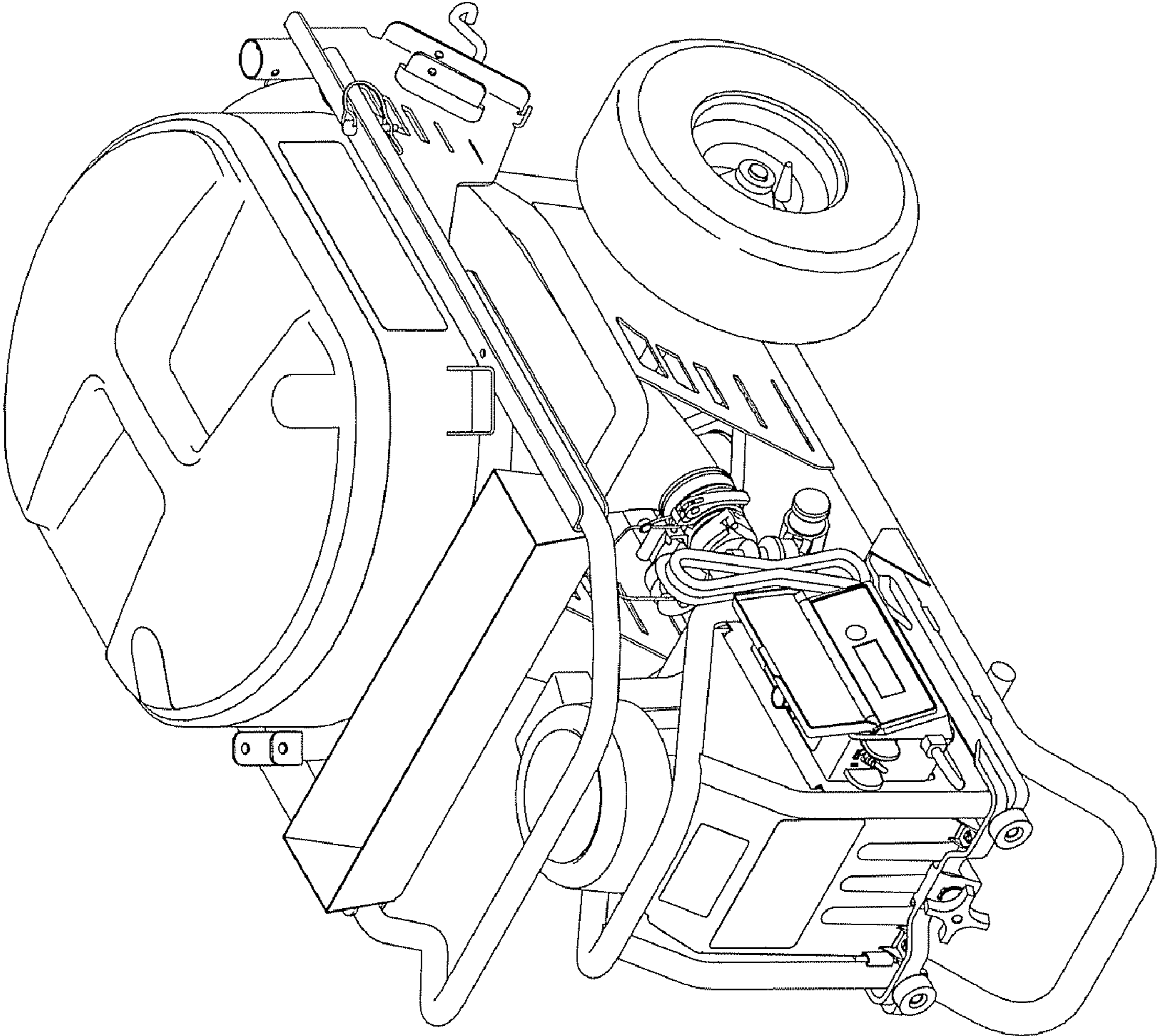


FIG. 1

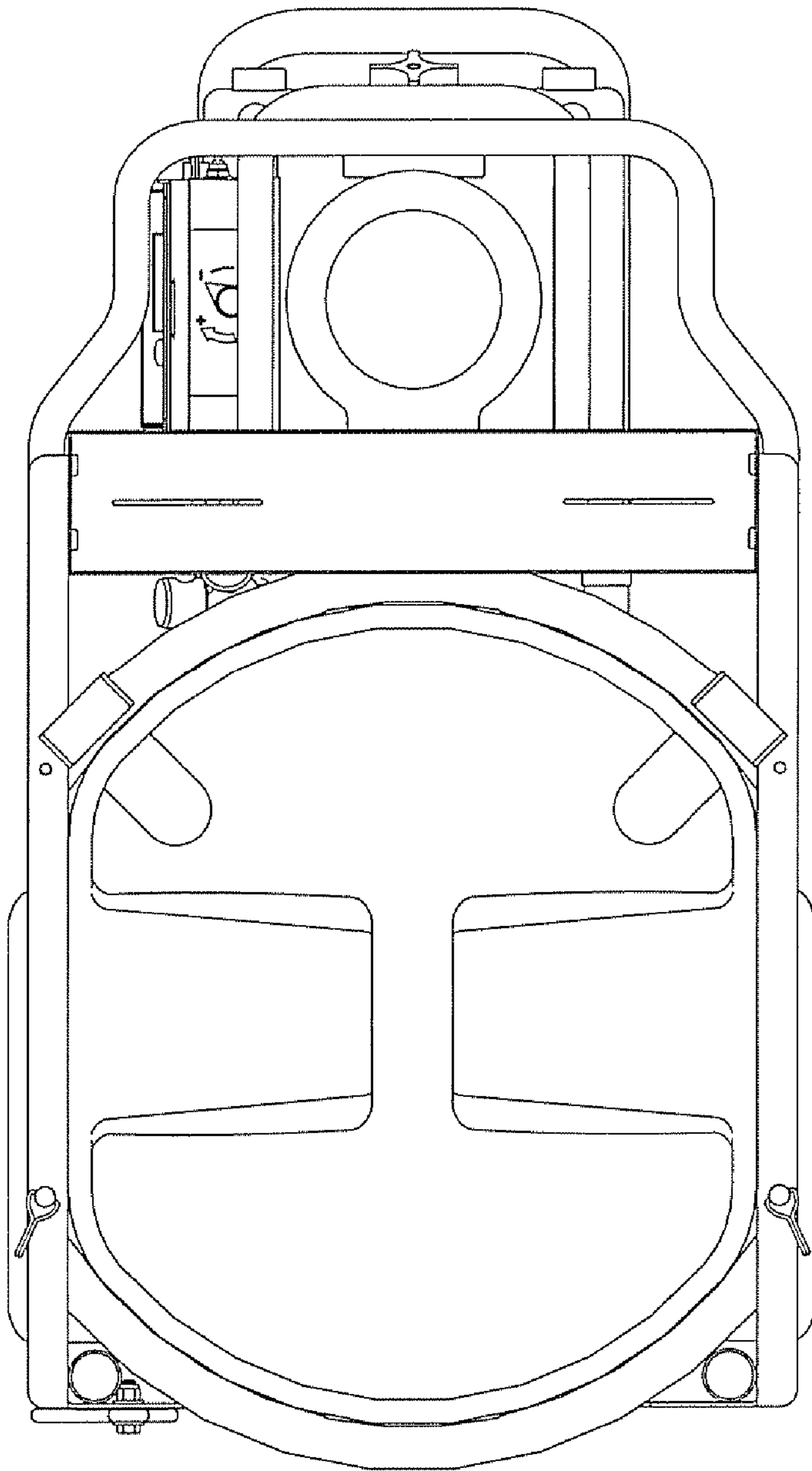


FIG. 2

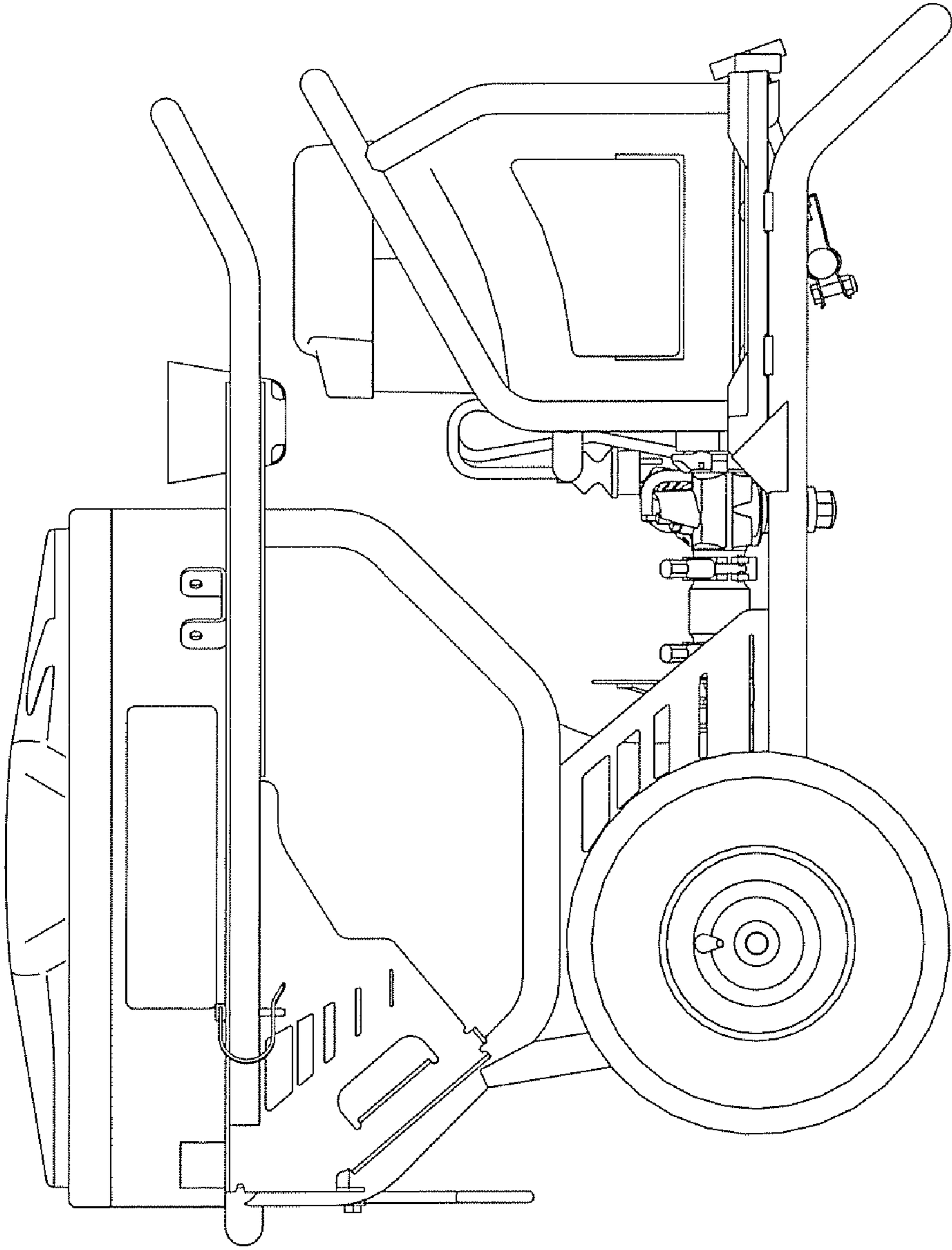


FIG. 3

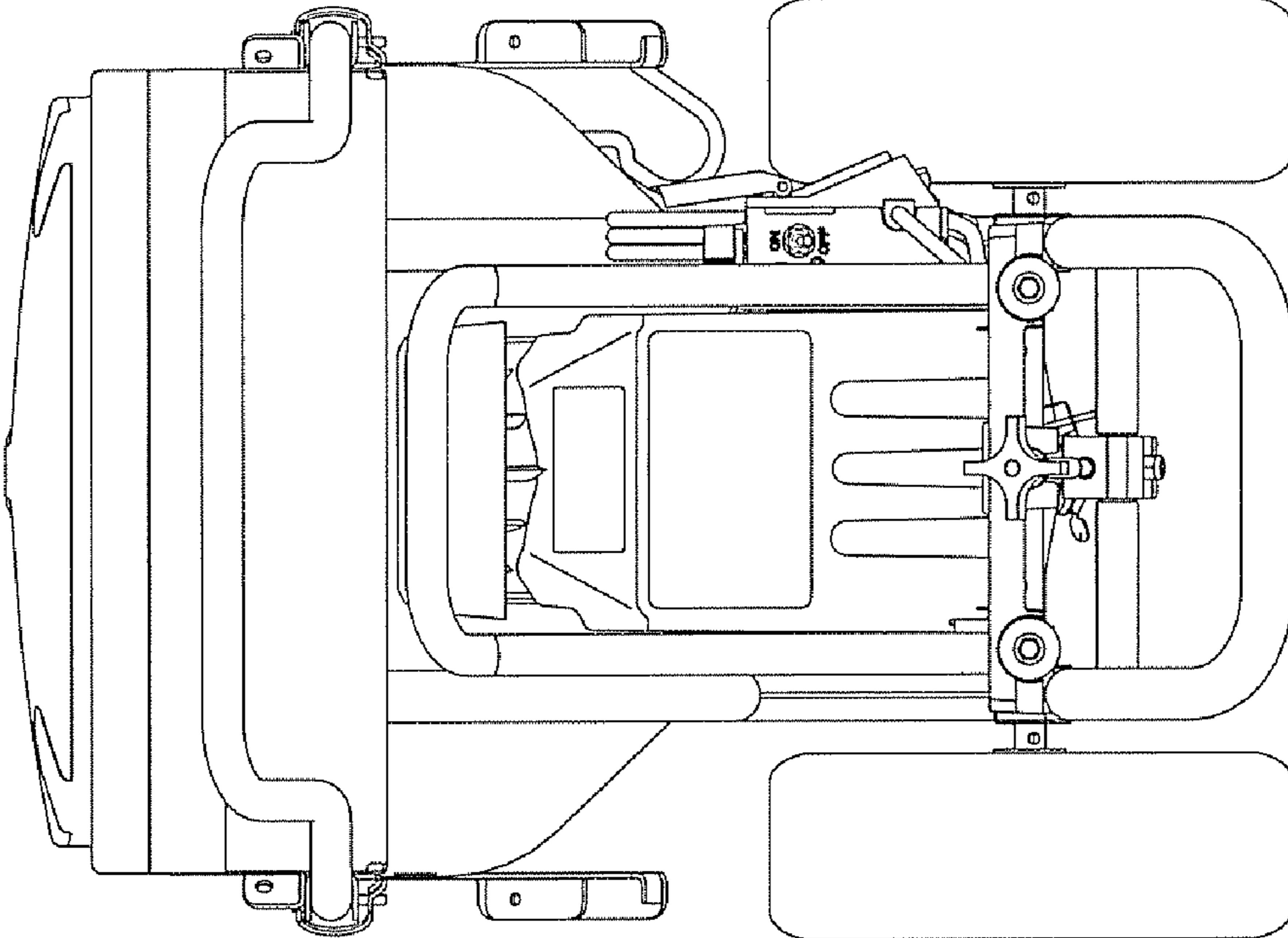


FIG. 4

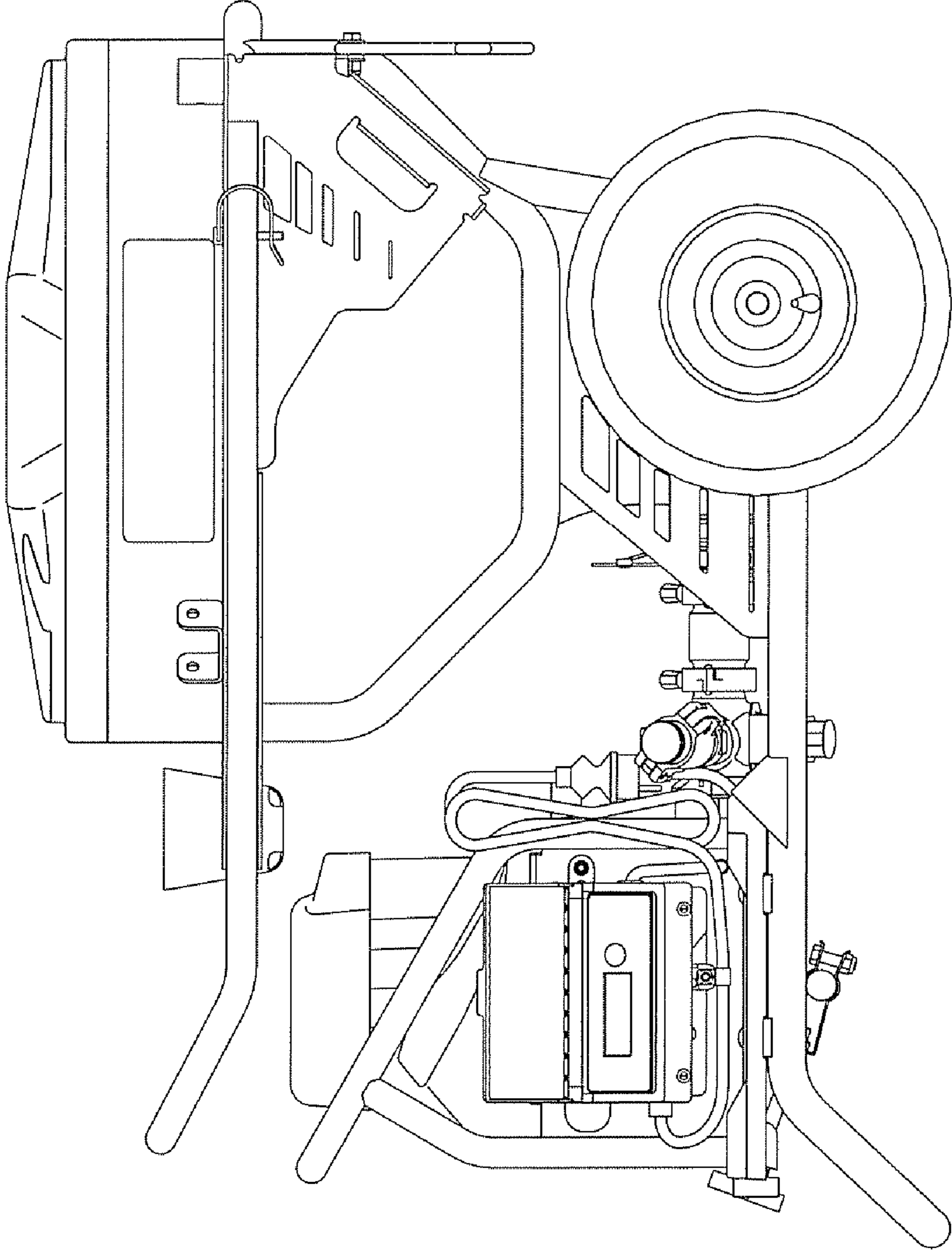


FIG. 5

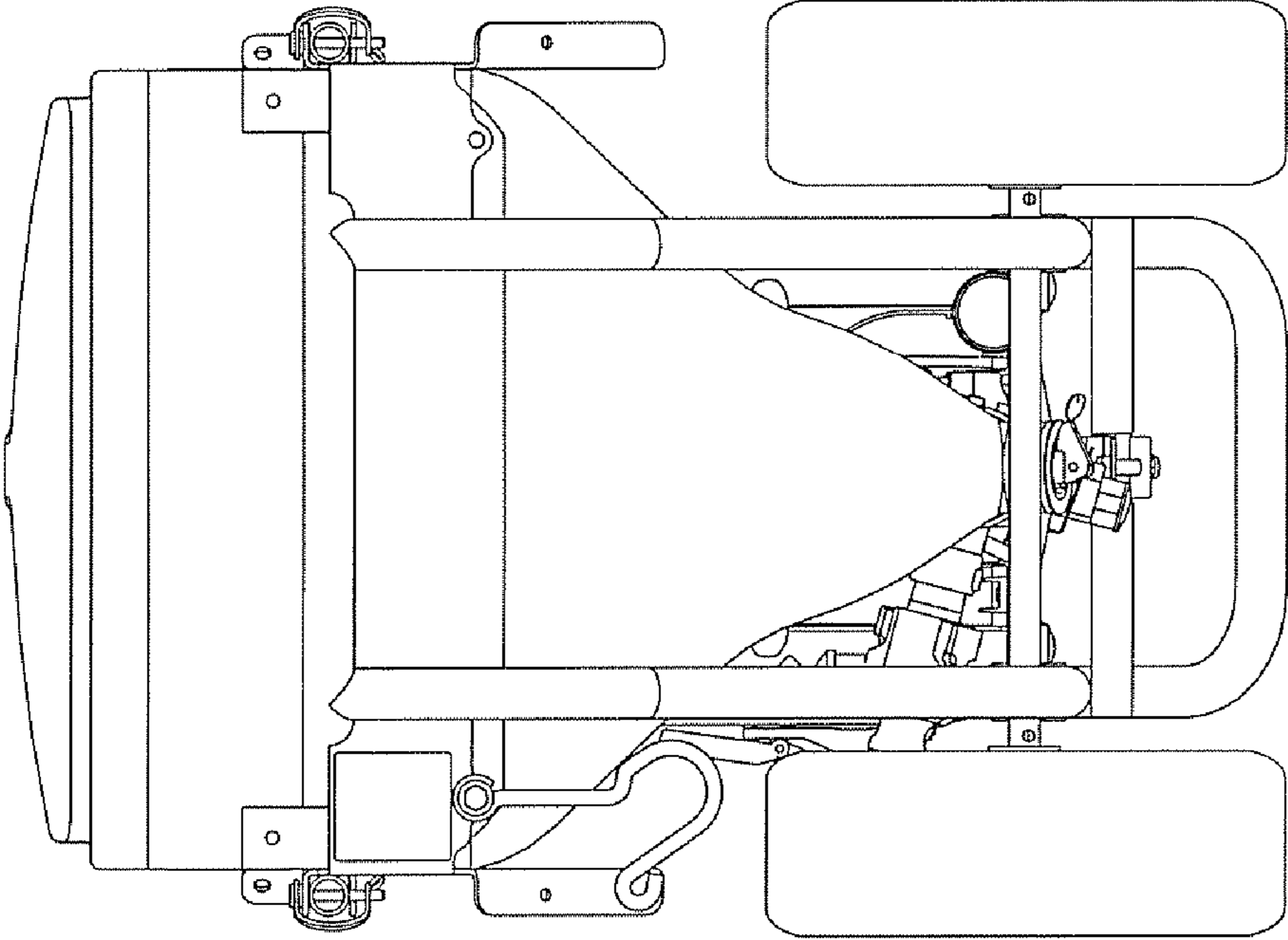


FIG. 6

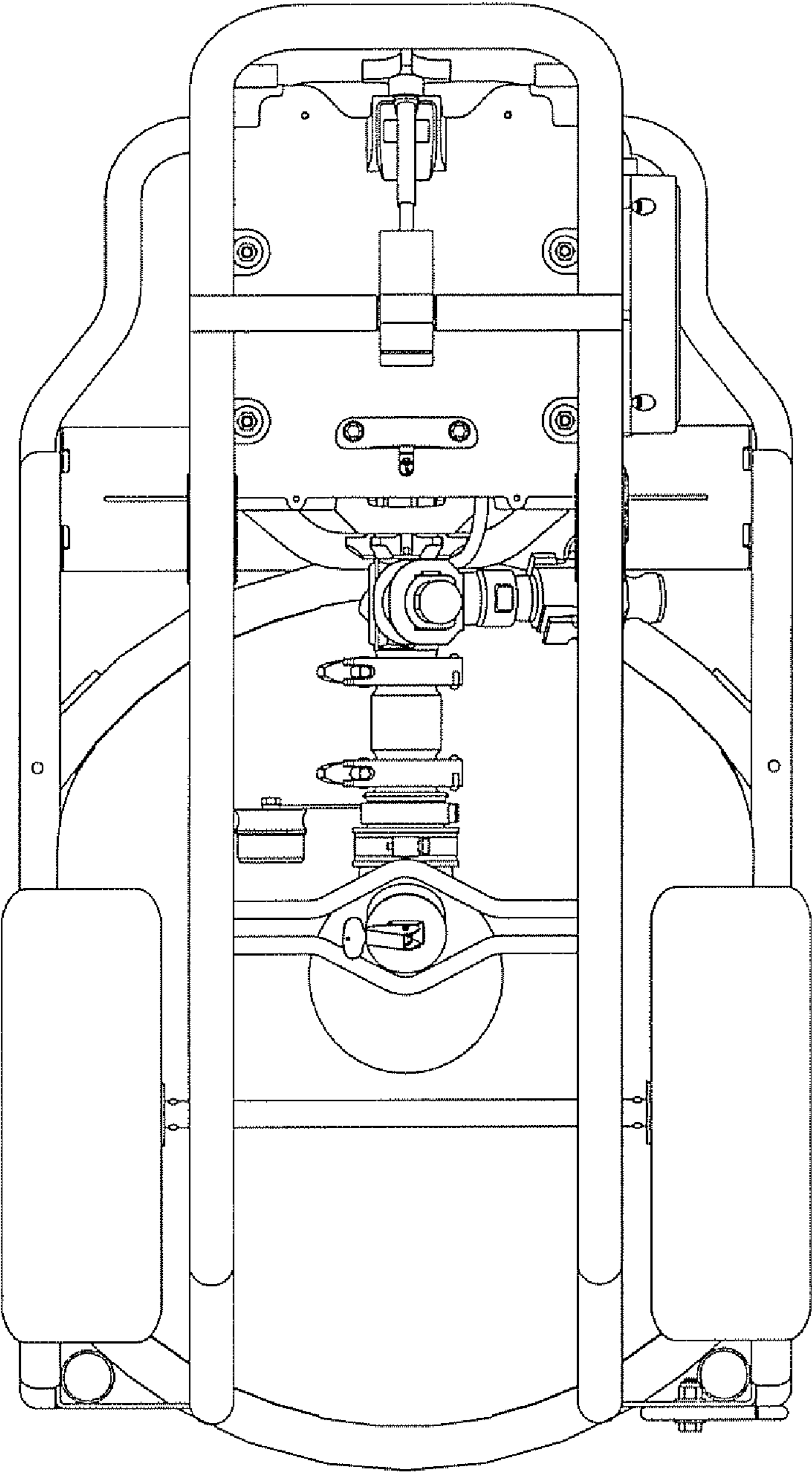


FIG. 7