



US00D616058S

(12) **United States Design Patent**
Kruger

(10) **Patent No.:** **US D616,058 S**

(45) **Date of Patent:** **** May 18, 2010**

(54) **DETONATOR CONNECTOR**

(75) Inventor: **Johannes Petrus Kruger**, Kempton Park (ZA)

(73) Assignee: **Detnet South Africa (Pty) Limited** (ZA)

(**) Term: **14 Years**

(21) Appl. No.: **29/327,126**

(22) Filed: **Oct. 31, 2008**

(51) **LOC (9) Cl.** **22-01**

(52) **U.S. Cl.** **D22/112**

(58) **Field of Classification Search** D22/112;
102/367, 368, 335, 355, 369, 482, 486; D13/158,
D13/132, 184, 156, 149

See application file for complete search history.

(56) **References Cited**

U.S. PATENT DOCUMENTS

4,749,363	A *	6/1988	Luska et al.	439/367
D316,398	S *	4/1991	Hill	D13/120
D405,059	S *	2/1999	Nakamura	D13/156
D405,423	S *	2/1999	Nakamura	D13/156
D456,013	S *	4/2002	Heckenkamp	D13/184
D530,676	S *	10/2006	Schemm et al.	D13/149
D577,672	S *	9/2008	Yao et al.	D13/133
D591,245	S *	4/2009	Iijima	D13/156
D601,098	S *	9/2009	Phelps	D13/156

* cited by examiner

Primary Examiner—T. Chase Nelson

Assistant Examiner—Michael A Pratt

(74) *Attorney, Agent, or Firm*—Schmeiser, Olsen & Watts

(57) **CLAIM**

The ornamental design for a detonator connector, as shown and described.

DESCRIPTION

FIG. 1 is a perspective view of a detonator connector according to the design;

FIG. 2 is a top plan view of the detonator connector;

FIG. 3 is a bottom view of the detonator connector;

FIG. 4 is a side elevation view of the detonator connector;

FIG. 5 is a side elevation view from an opposing side of the detonator connector;

FIG. 6 is a front elevation view of the detonator;

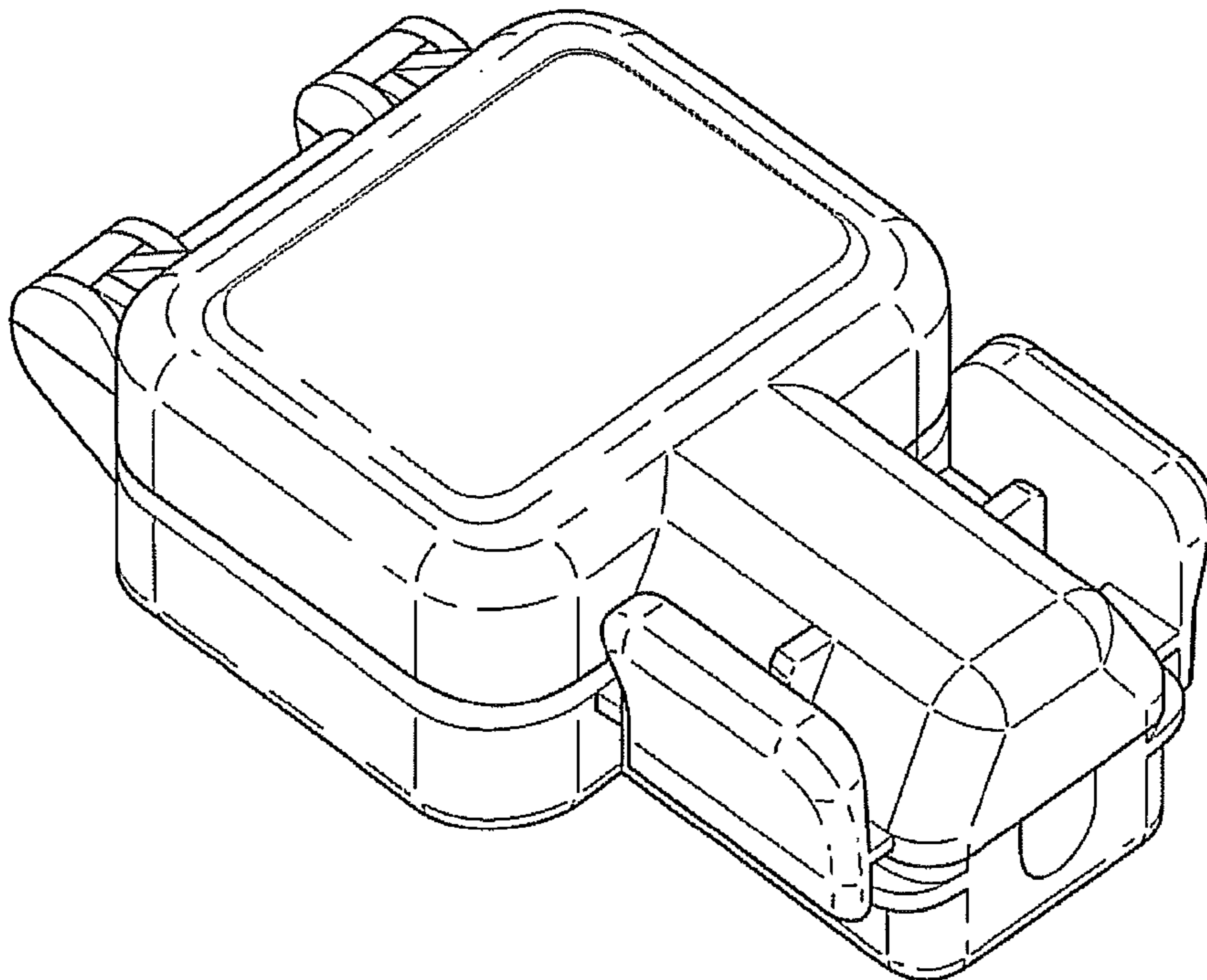
FIG. 7 is a rear elevation view of the detonator connector;

FIG. 8 is a perspective view of an opened detonator connector; and,

FIG. 9 is an open top plan view of the detonator connector.

Portions of the design shown in broken or dashed lines are included for the purpose of illustrating the environment and form no part of the claimed design.

1 Claim, 4 Drawing Sheets



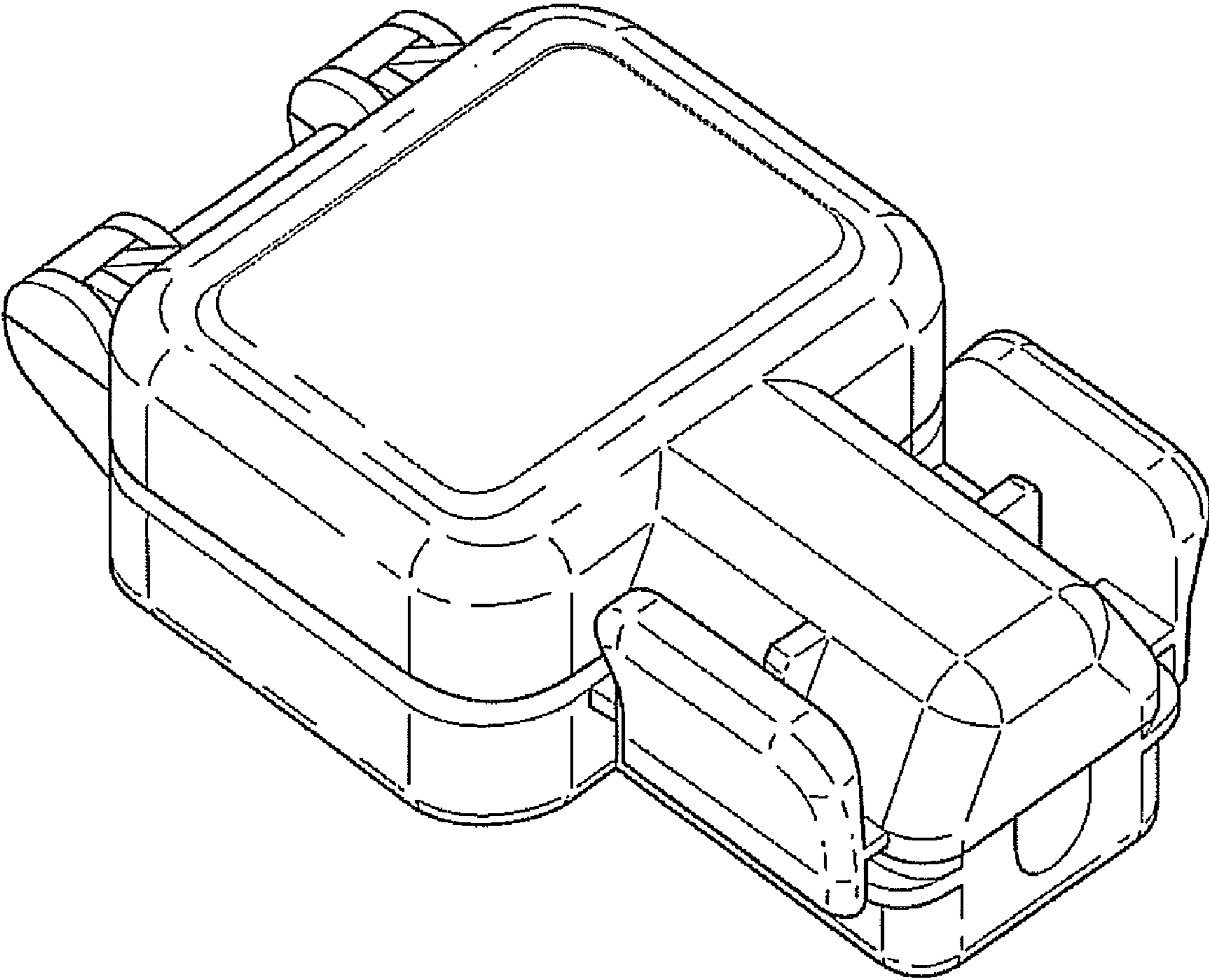


FIGURE 1

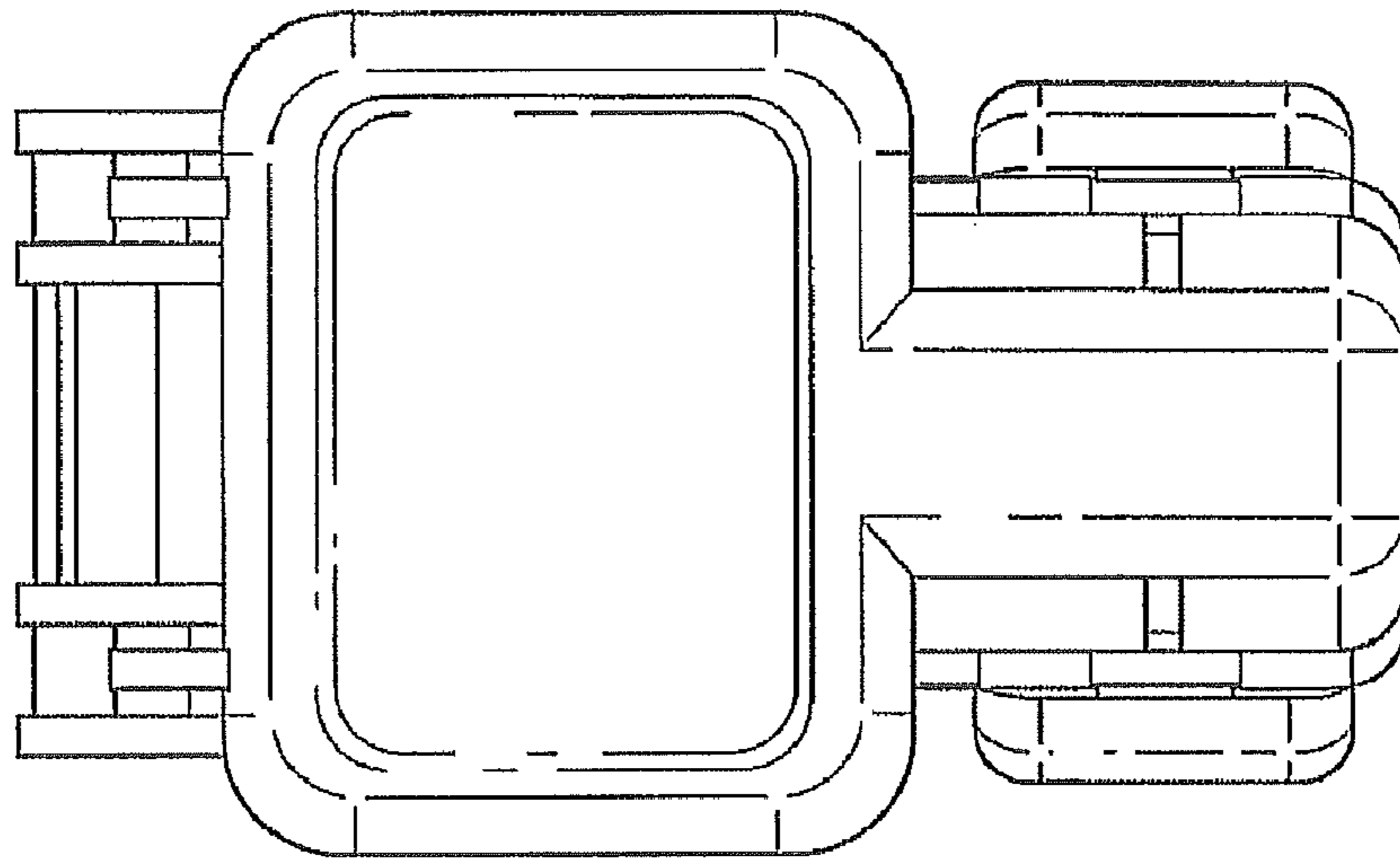


FIGURE 2

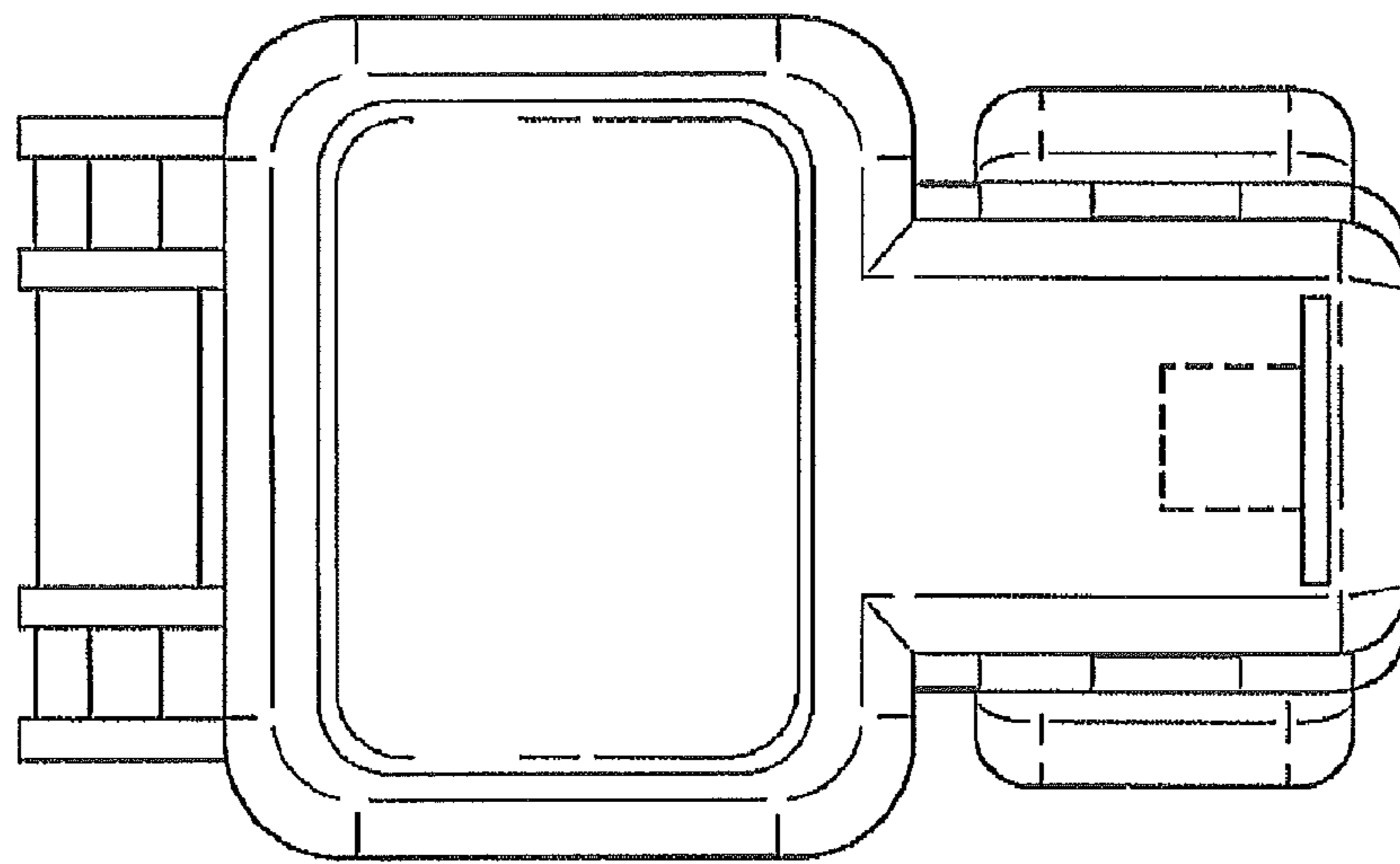


FIGURE 3

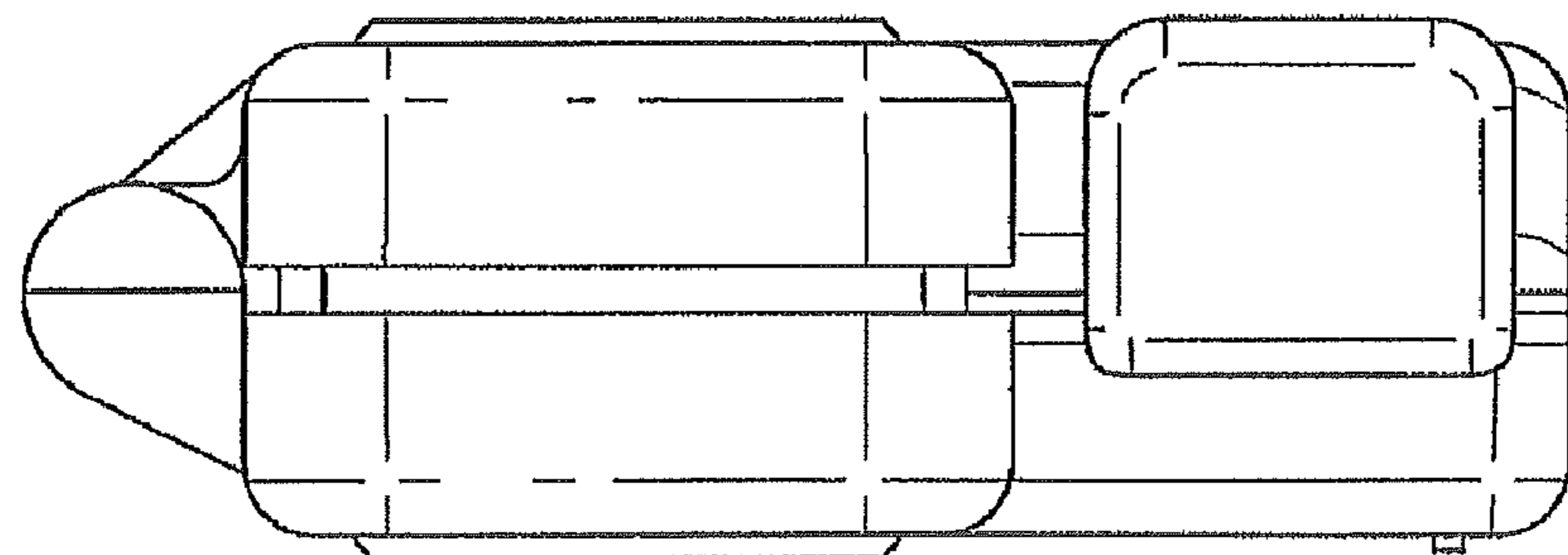


FIGURE 4

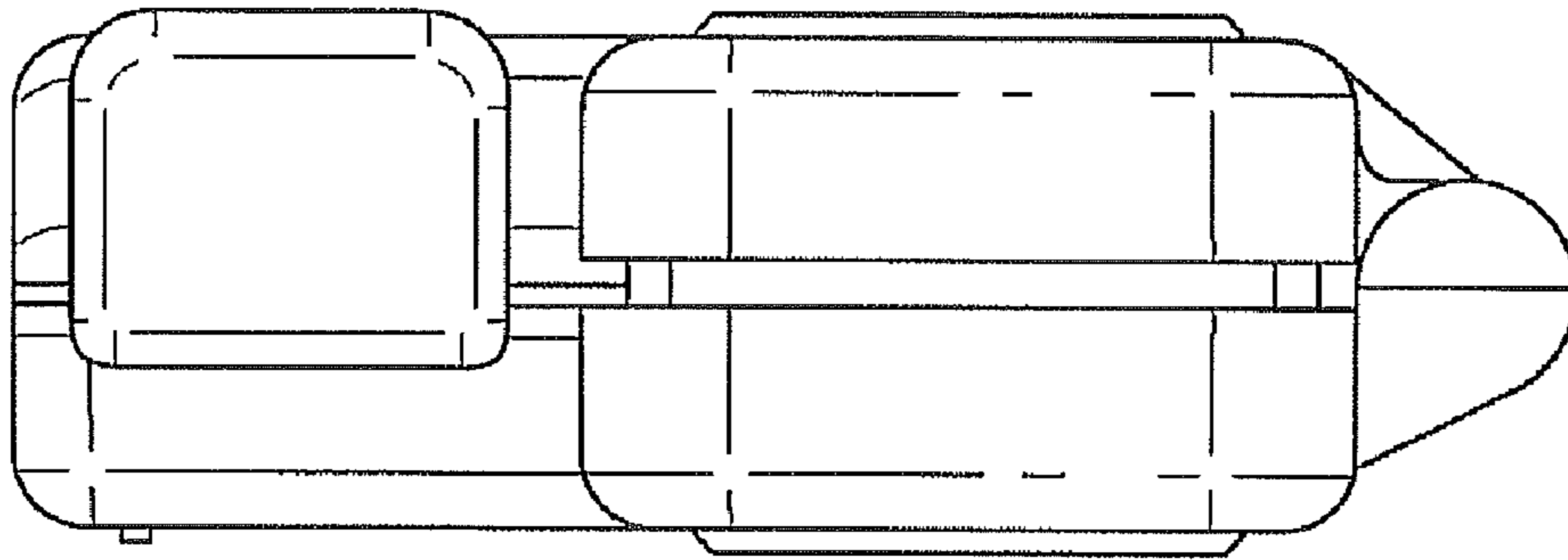


FIGURE 5

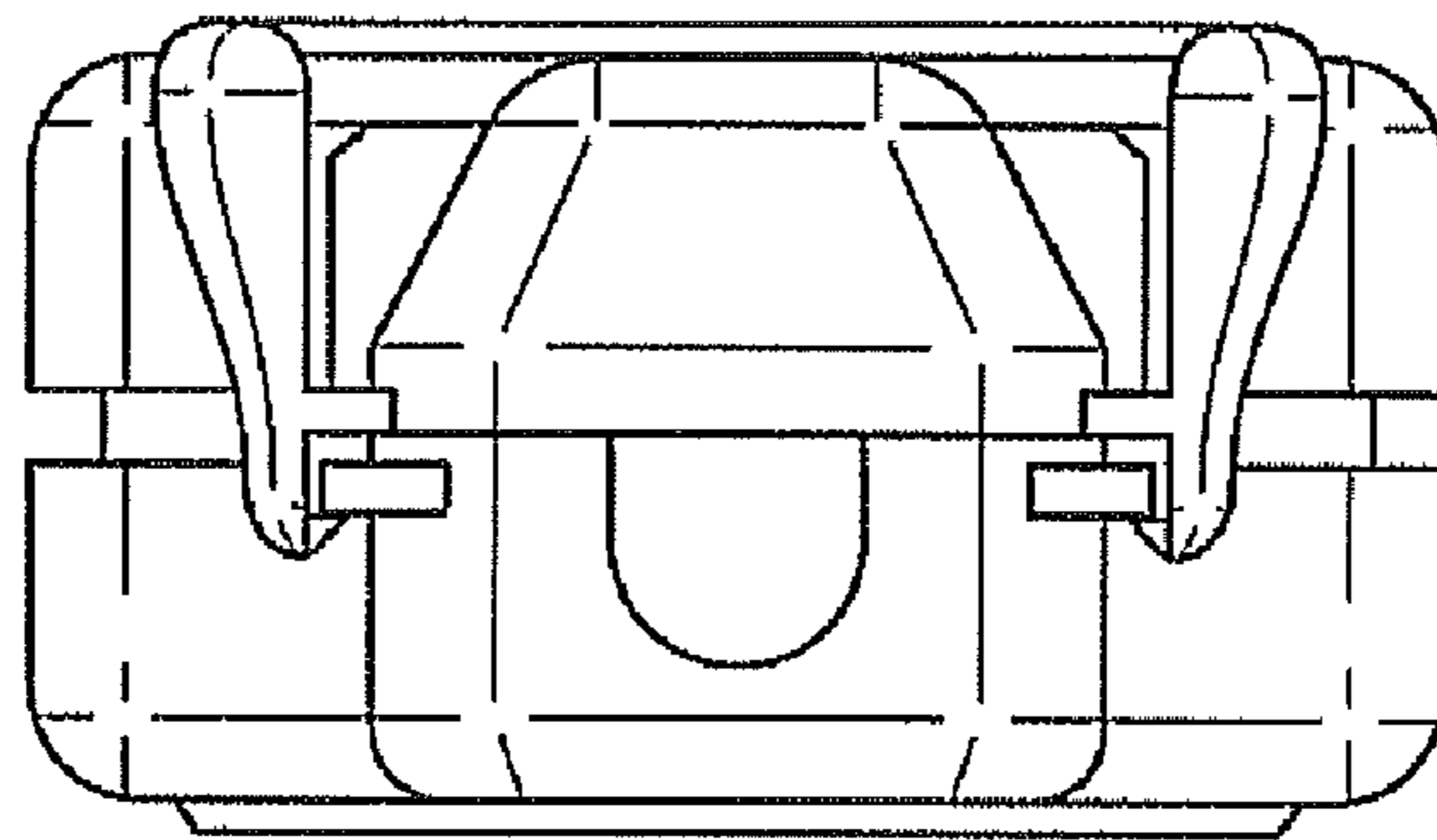


FIGURE 6

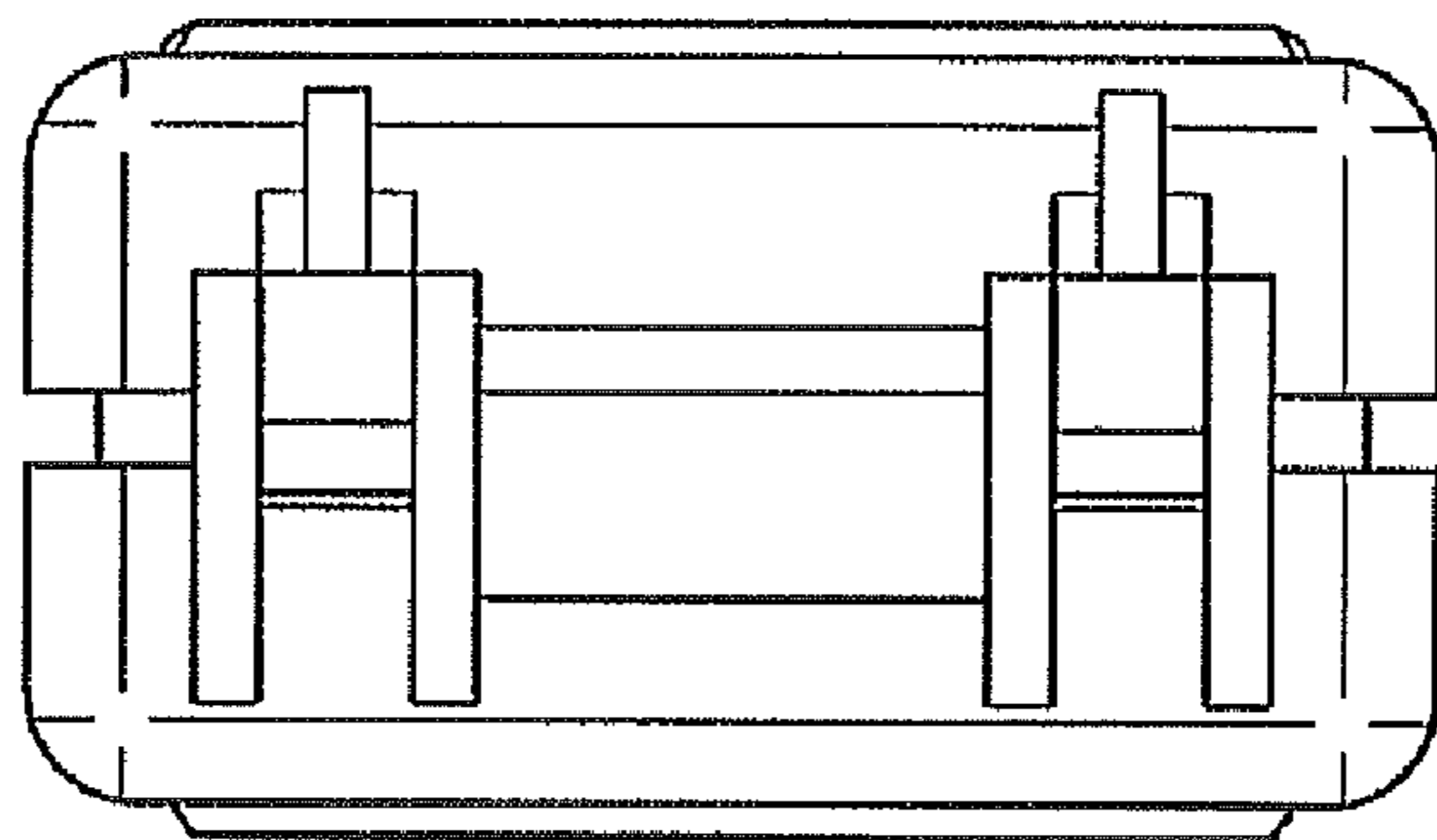


FIGURE 7

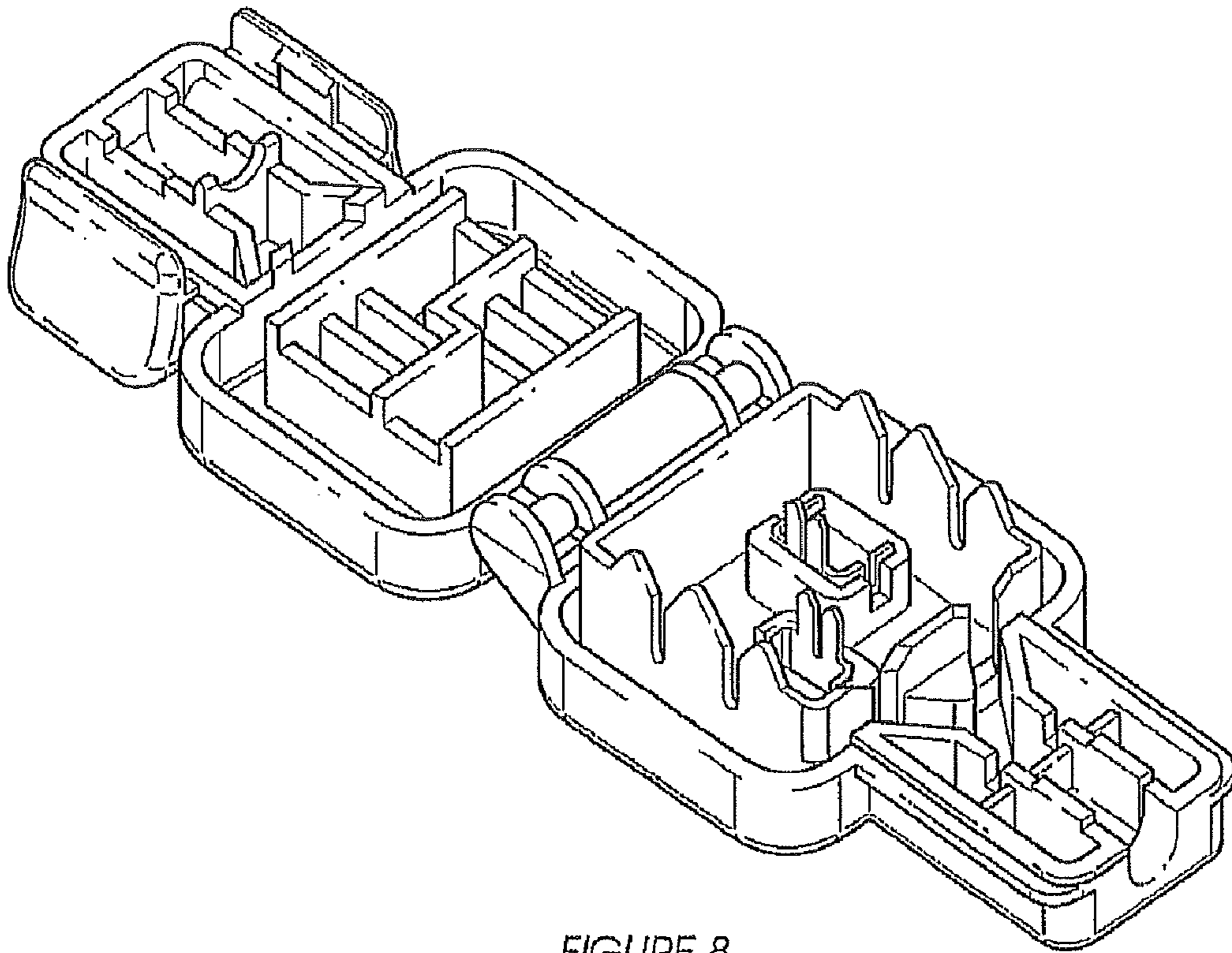


FIGURE 8

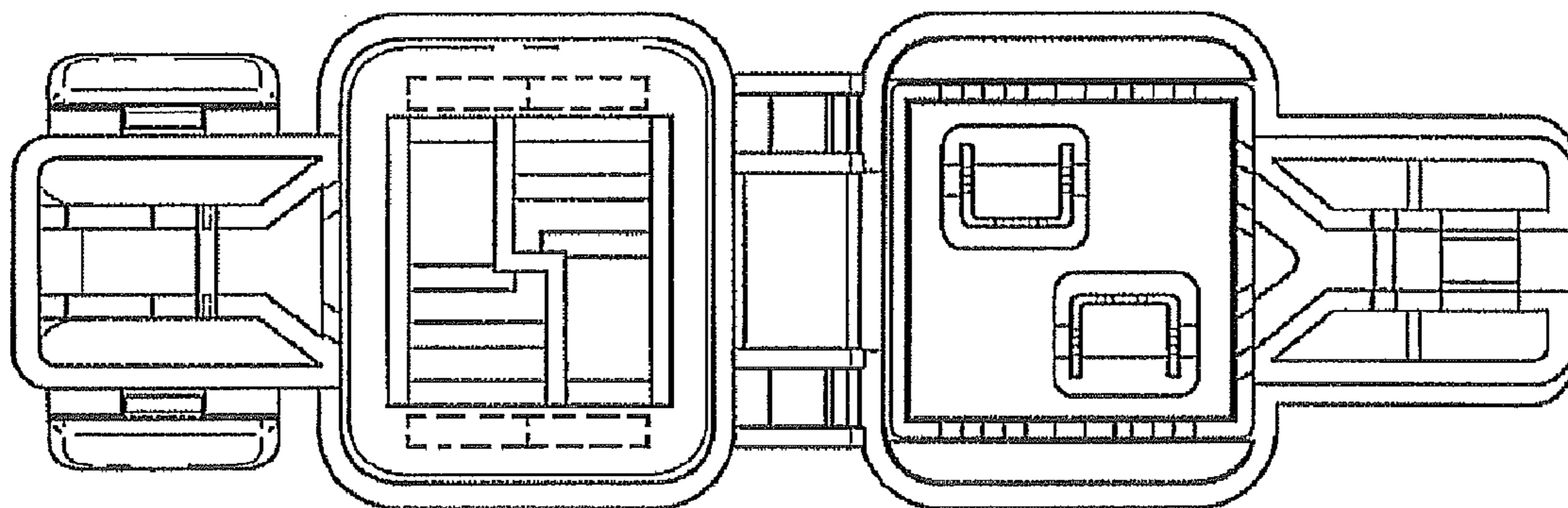


FIGURE 9