



US00D616053S

(12) **United States Design Patent**
Chien et al.

(10) **Patent No.:** **US D616,053 S**
(45) **Date of Patent:** **** May 18, 2010**

(54) **GOLF CLUB HEAD**

(75) Inventors: **Stephen C. Chien**, Irvine, CA (US);
Jimmy H. Kuan, West Covina, CA
(US); **Michael D. Sandoval**, La Palma,
CA (US); **Adam K. Shelton**, Long
Beach, CA (US)

(73) Assignee: **Roger Cleveland Golf Co., Inc.**,
Huntington Beach, CA (US)

(**) Term: **14 Years**

(21) Appl. No.: **29/350,040**

(22) Filed: **Nov. 10, 2009**

(51) **LOC (9) Cl.** **21-02**

(52) **U.S. Cl.** **D21/759**

(58) **Field of Classification Search** D21/736-746,
D21/759; 473/324-331, 340, 341, 251-256
See application file for complete search history.

(56) **References Cited**

U.S. PATENT DOCUMENTS

5,125,664 A	6/1992	Evans	
D364,205 S	11/1995	Duclos	
D381,727 S *	7/1997	Griffin	D21/741
D382,615 S	8/1997	Schaeffer et al.	
D397,750 S	9/1998	Frazetta	
D424,642 S	5/2000	Reed et al.	
D425,157 S	5/2000	Reed et al.	
D426,601 S	6/2000	Reed et al.	
D434,094 S *	11/2000	Miyashita	D21/744
D434,820 S	12/2000	Reed et al.	
D437,017 S *	1/2001	Ford	D21/744
D444,523 S	7/2001	Scribner	
D493,857 S	8/2004	Cameron	
D501,669 S *	2/2005	Burrows	D21/752
D507,318 S *	7/2005	Garcia	D21/744
D512,114 S	11/2005	Garcia	
D527,433 S *	8/2006	Hueber	D21/743
D537,135 S *	2/2007	Rollinson et al.	D21/742
D548,296 S	8/2007	Rollinson	

D550,795 S	9/2007	Tateno	
D557,361 S	12/2007	Rollinson	
D559,930 S *	1/2008	Cameron	D21/746
D560,736 S	1/2008	Tateno	
D565,683 S *	4/2008	Homma	D21/759
D565,684 S *	4/2008	Homma	D21/759
D565,685 S *	4/2008	Homma	D21/759
D565,686 S *	4/2008	Homma	D21/759
D569,462 S	5/2008	Rollinson	
D577,398 S *	9/2008	Hilton	D21/744
D580,505 S *	11/2008	Solheim	D21/759
D582,497 S *	12/2008	Rollinson	D21/744
D593,171 S	5/2009	Stellander	
D594,073 S	6/2009	Kadoya	
D600,295 S *	9/2009	Meeks	D21/744
2008/0188321 A1	8/2008	Feighery	

* cited by examiner

Primary Examiner—Mitchell I Siegel

(74) *Attorney, Agent, or Firm*—Oliff & Berridge, PLC

(57) **CLAIM**

The ornamental design for a golf club head, as shown and described.

DESCRIPTION

FIG. 1 is a bottom plan view of a golf club head embodying the inventive design.

FIG. 2 is a top plan view thereof.

FIG. 3 is a heel-side elevational view thereof.

FIG. 4 is a toe-side elevational view thereof.

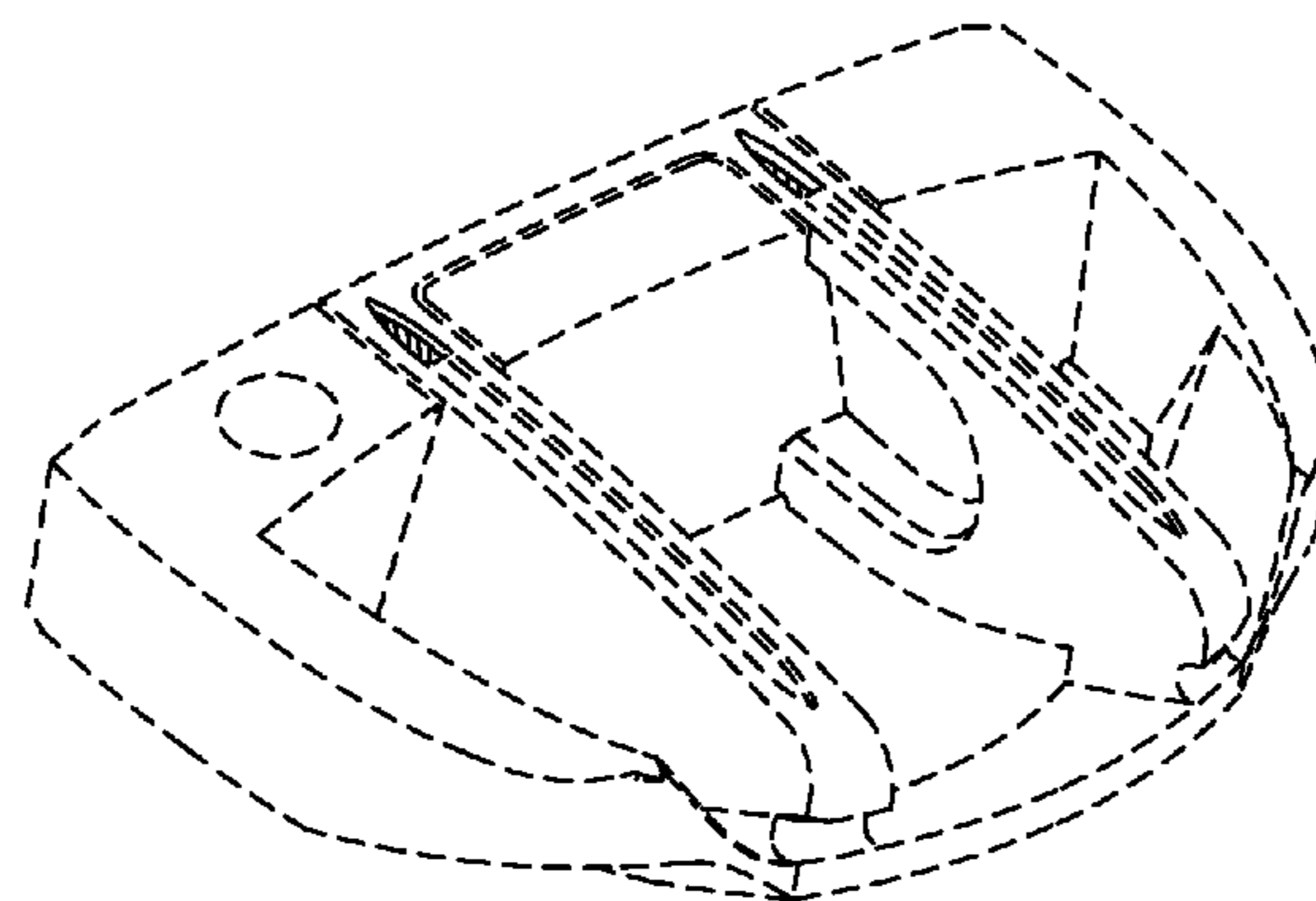
FIG. 5 is a rear elevational view thereof.

FIG. 6 is a front elevational view thereof; and,

FIG. 7 is a top rear perspective view thereof.

The broken lines immediately adjacent the shaded areas represent the bounds of the claimed design, while all other broken lines are directed to environment and are for illustrative purposes only; the broken lines form no part of the claimed design.

1 Claim, 7 Drawing Sheets



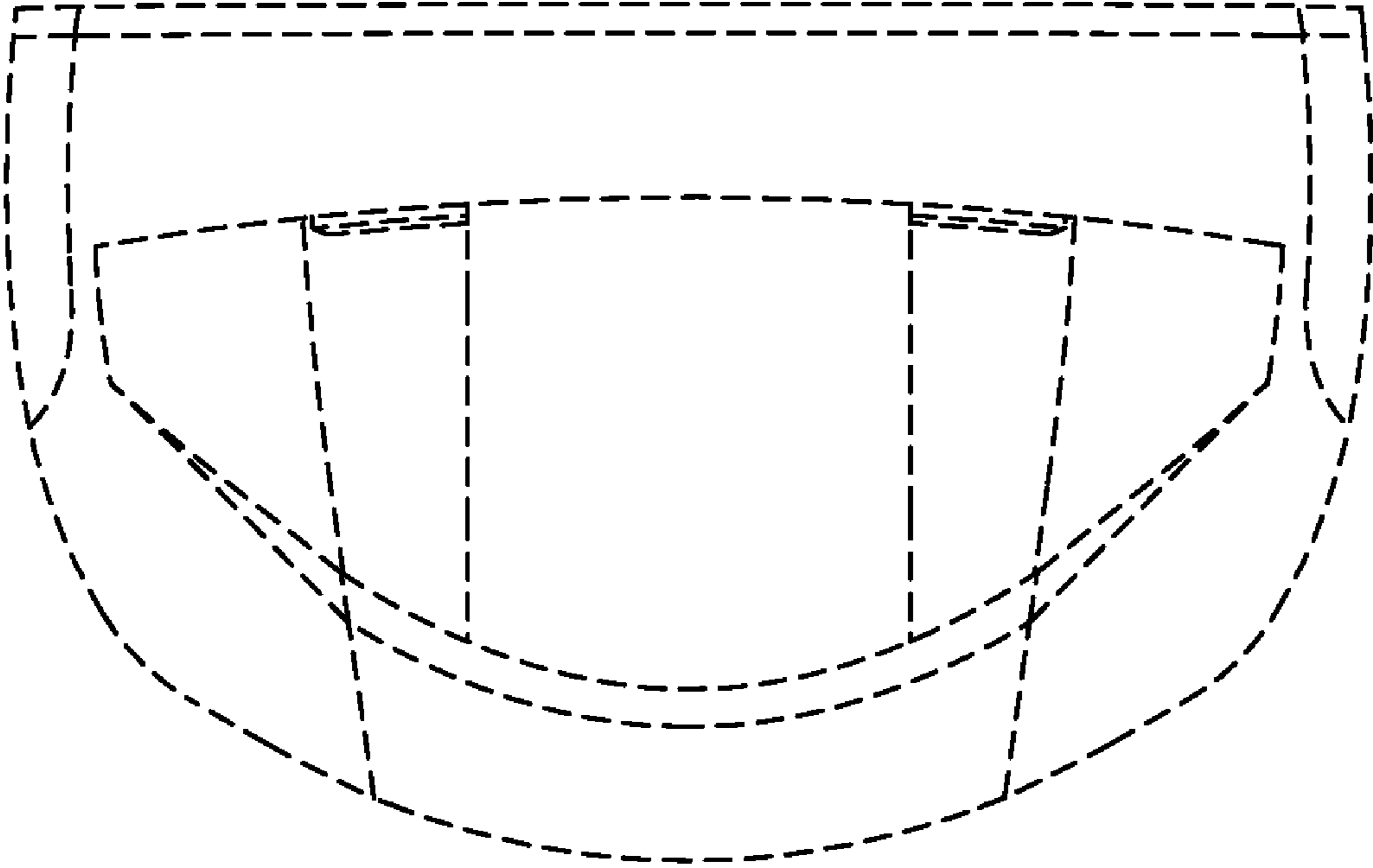


FIG. 1

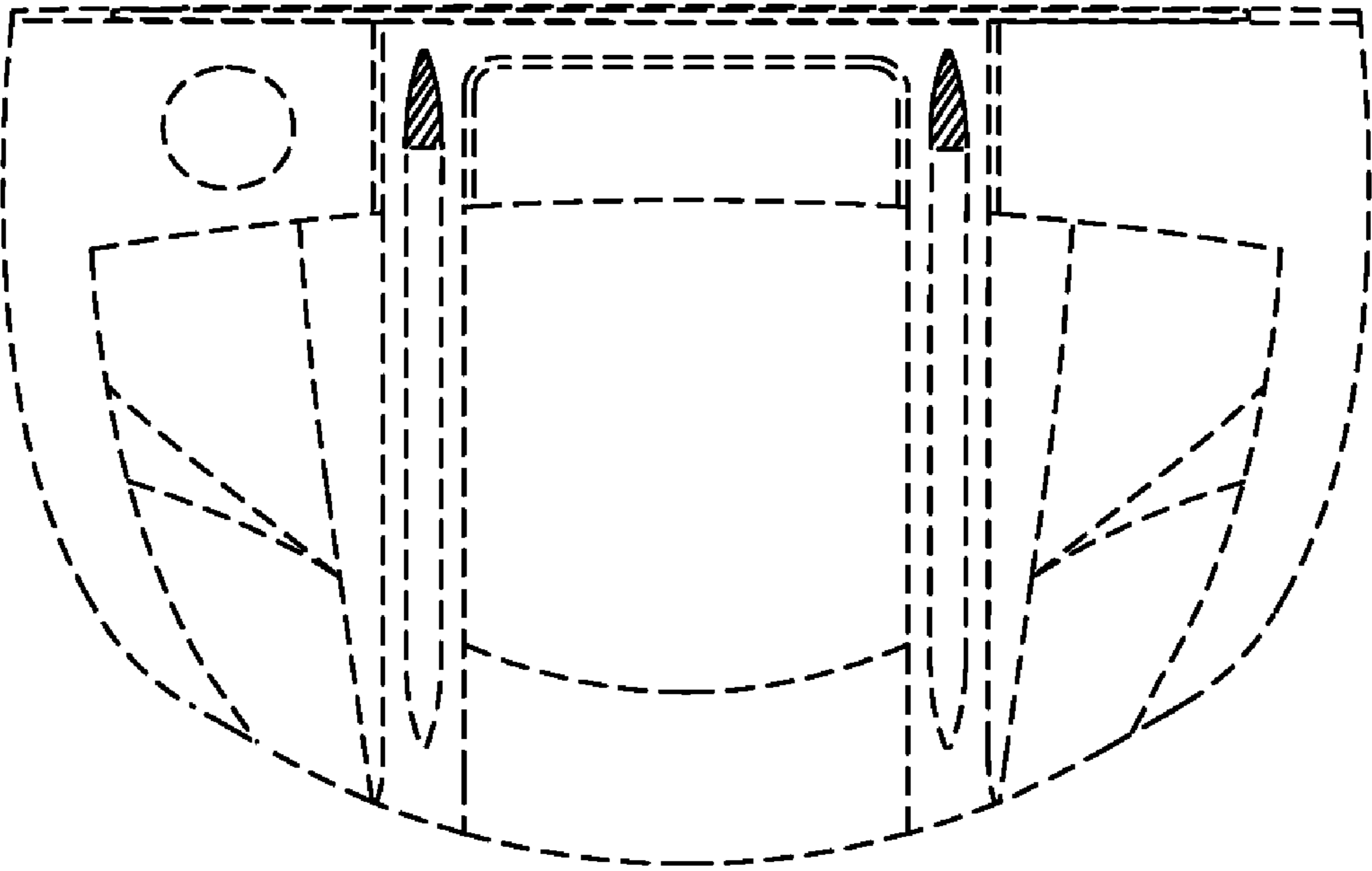


FIG. 2

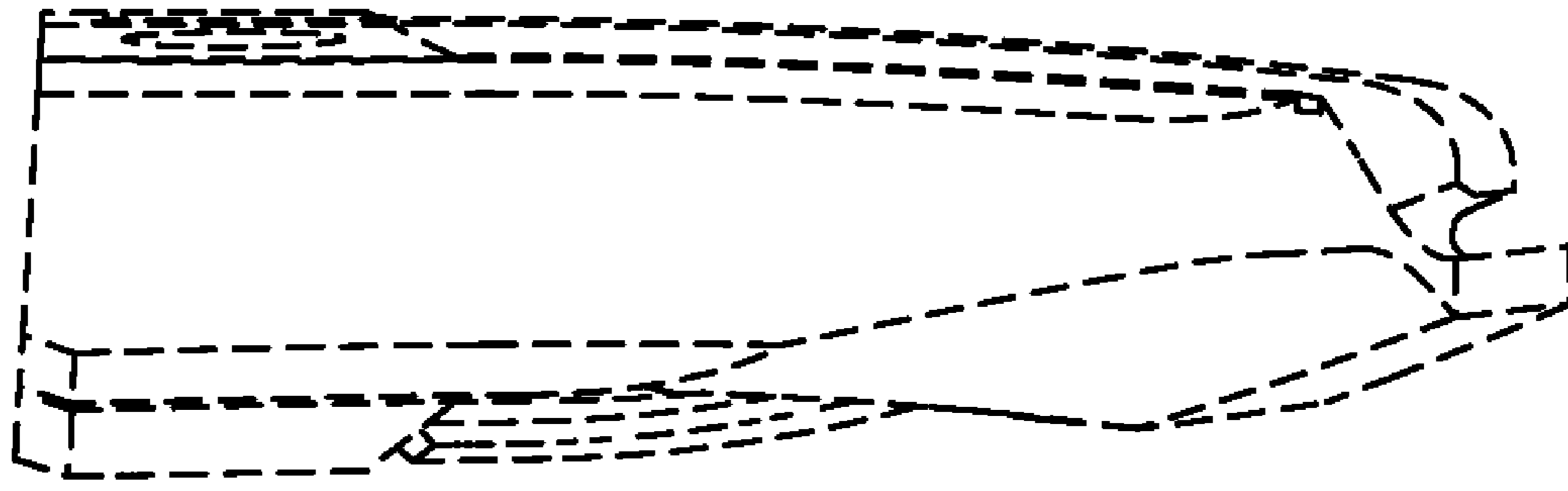


FIG. 3

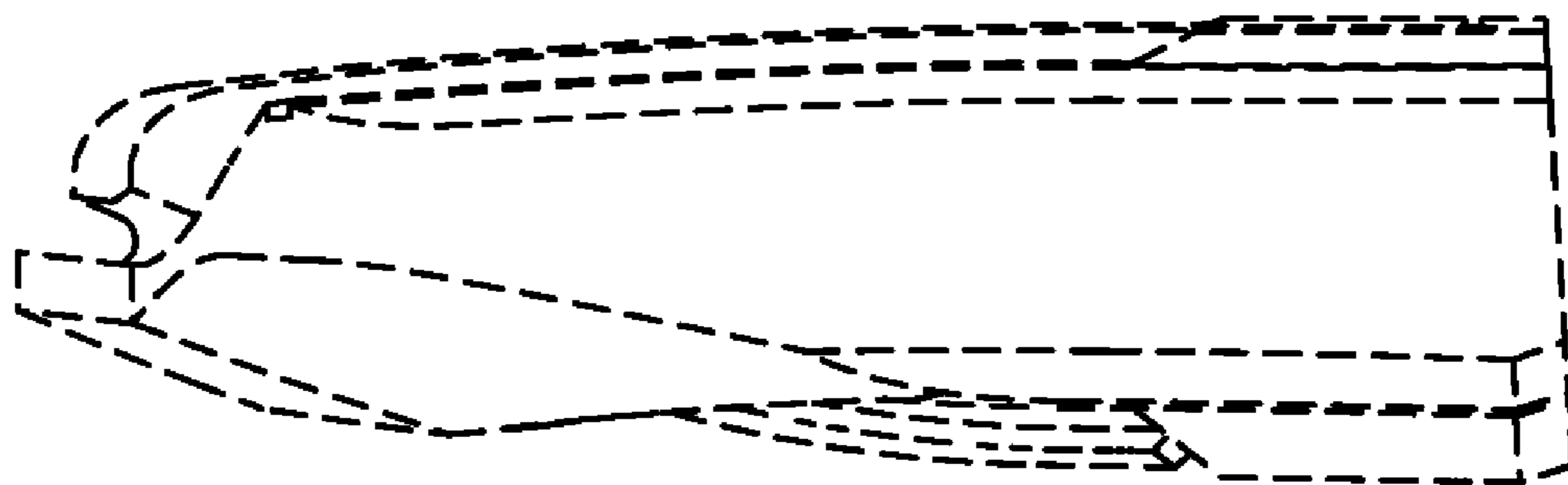


FIG. 4

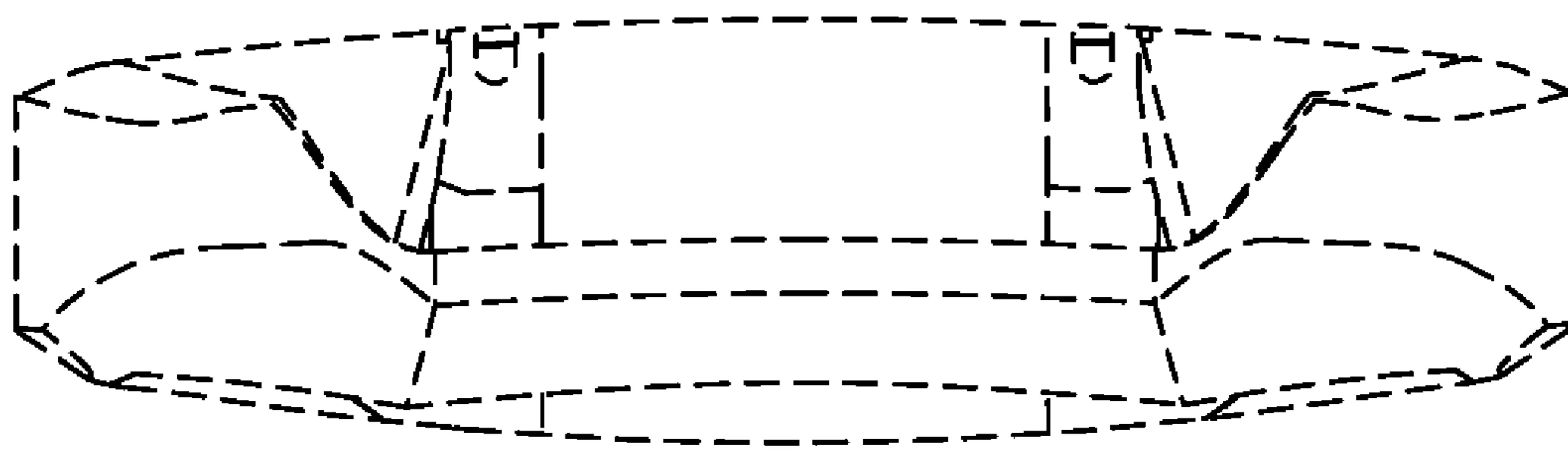


FIG. 5



FIG. 6

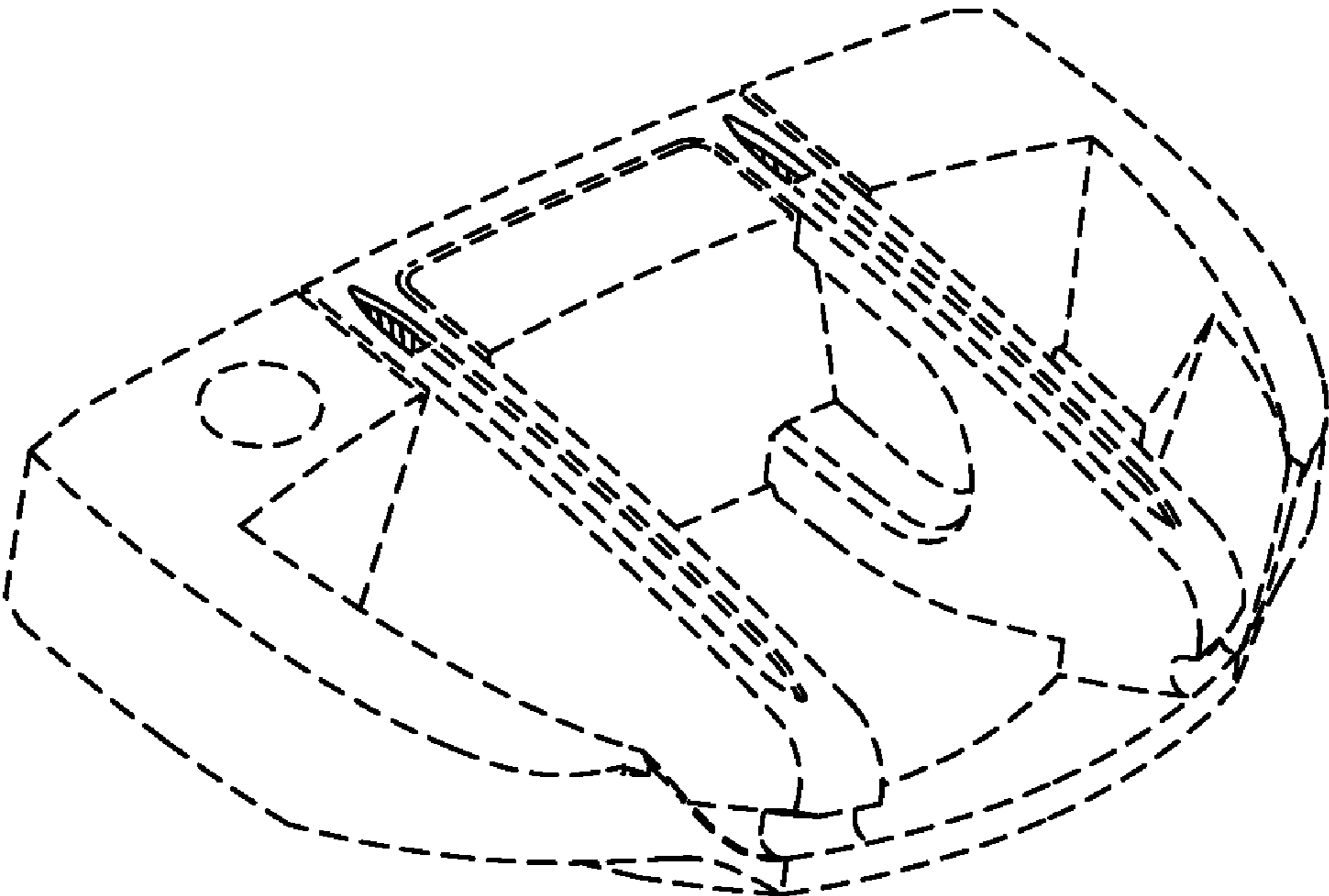


FIG. 7

UNITED STATES PATENT AND TRADEMARK OFFICE
CERTIFICATE OF CORRECTION

PATENT NO. : Des. 616,053 S
APPLICATION NO. : 29/350040
DATED : May 18, 2010
INVENTOR(S) : Stephen C. Chien et al.

Page 1 of 1

It is certified that error appears in the above-identified patent and that said Letters Patent is hereby corrected as shown below:

Title page, item (75) Inventors.

Change "Adam K. Shelton" to --Adam K. Sheldon--.

Signed and Sealed this

Twenty-second Day of June, 2010

A handwritten signature in black ink that reads "David J. Kappos". The signature is written in a cursive, flowing style.

David J. Kappos
Director of the United States Patent and Trademark Office