



US00D616052S

(12) **United States Design Patent**
Chung

(10) **Patent No.:** **US D616,052 S**

(45) **Date of Patent:** **** May 18, 2010**

(54) **PUTTER HEAD**

(76) **Inventor:** **Suny Chung**, 927 Mariner St., Brea, CA
(US) 92821

(**) **Term:** **14 Years**

(21) **Appl. No.:** **29/315,388**

(22) **Filed:** **Jun. 22, 2009**

(51) **LOC (9) Cl.** **21-02**

(52) **U.S. Cl.** **D21/738**

(58) **Field of Classification Search** D21/736-746;
473/324-331, 251-256, 340-341
See application file for complete search history.

(56) **References Cited**

U.S. PATENT DOCUMENTS

D209,301 S *	11/1967	Comitz	D21/738
D220,844 S *	6/1971	Letters	D21/740
D223,031 S *	2/1972	Ernst	D21/740
D240,749 S *	7/1976	Benson	D21/737
D251,026 S *	2/1979	Cruger	D21/744
D251,027 S *	2/1979	Cruger	D21/744
D251,077 S *	2/1979	Strop	D21/740
D293,355 S *	12/1987	Wampler	D21/738
4,951,949 A *	8/1990	Kastenhuber	473/313
D322,112 S *	12/1991	Kastenhuber	D21/740
D362,705 S *	9/1995	Sprecher	D21/738

D397,751 S *	9/1998	Karagozian	D21/742
D419,213 S *	1/2000	Pritchett	D21/744
D532,066 S *	11/2006	Tang	D21/736
D592,715 S *	5/2009	Takei	D21/736

* cited by examiner

Primary Examiner—Mitchell I Siegel

(57) **CLAIM**

The ornamental design for a putter head, as shown and described.

DESCRIPTION

FIG. 1 is a perspective view of a putter head, as viewed from the front, top and one side thereof;

FIG. 2 is a perspective view of the putter head of FIG. 1, as viewed from the rear, top and one side thereof;

FIG. 3 is a front elevation view of the putter head of FIG. 1;

FIG. 4 is a rear elevation view of the putter head of FIG. 1;

FIG. 5 is a side elevation view of one side of the putter head of FIG. 1;

FIG. 6 is a side elevation view of the other side of the putter head of FIG. 1;

FIG. 7 is a top plan view of the putter head of FIG. 1; and,

FIG. 8 is a bottom plan view of the putter head of FIG. 1.

1 Claim, 8 Drawing Sheets

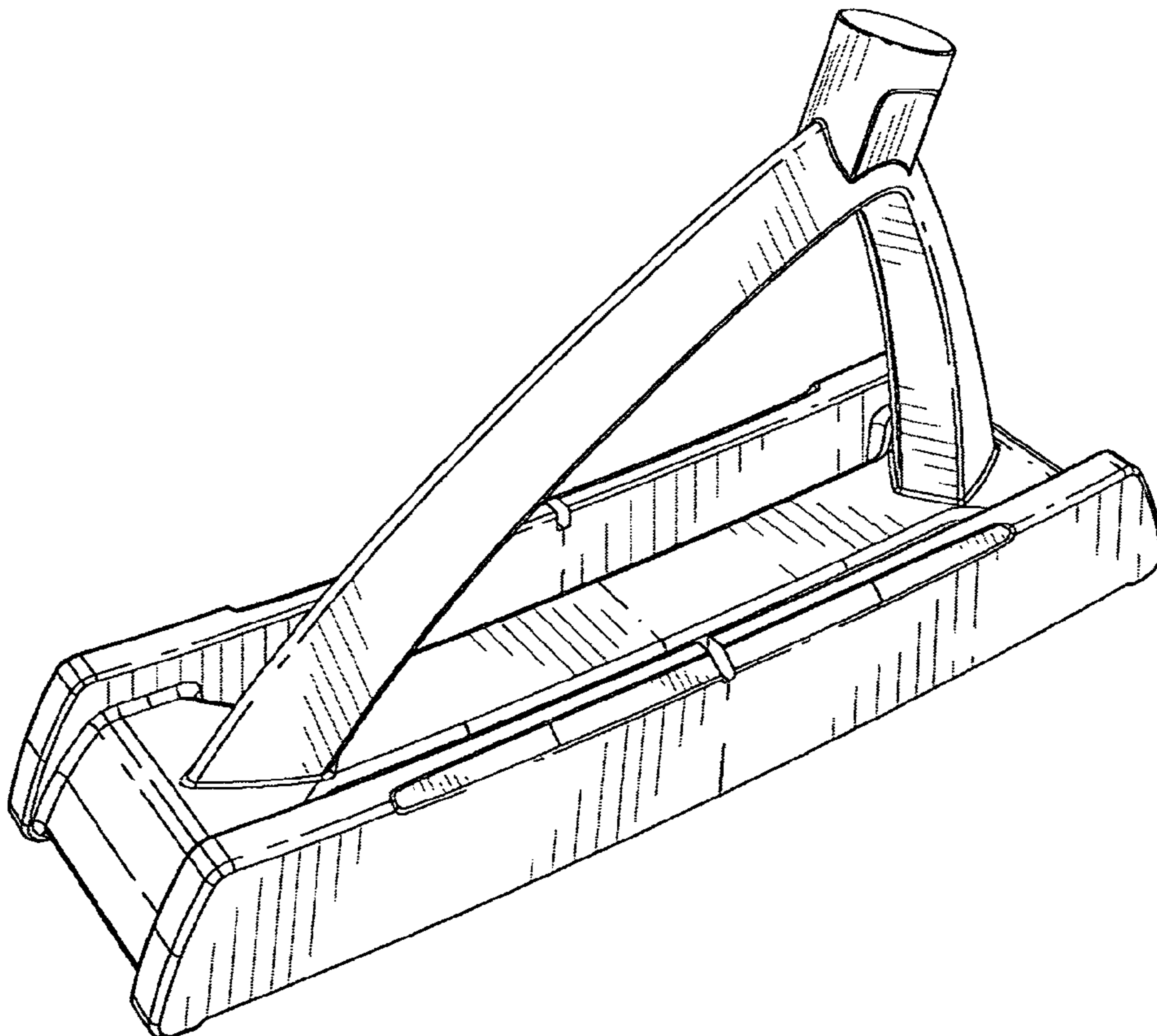


FIG. 1

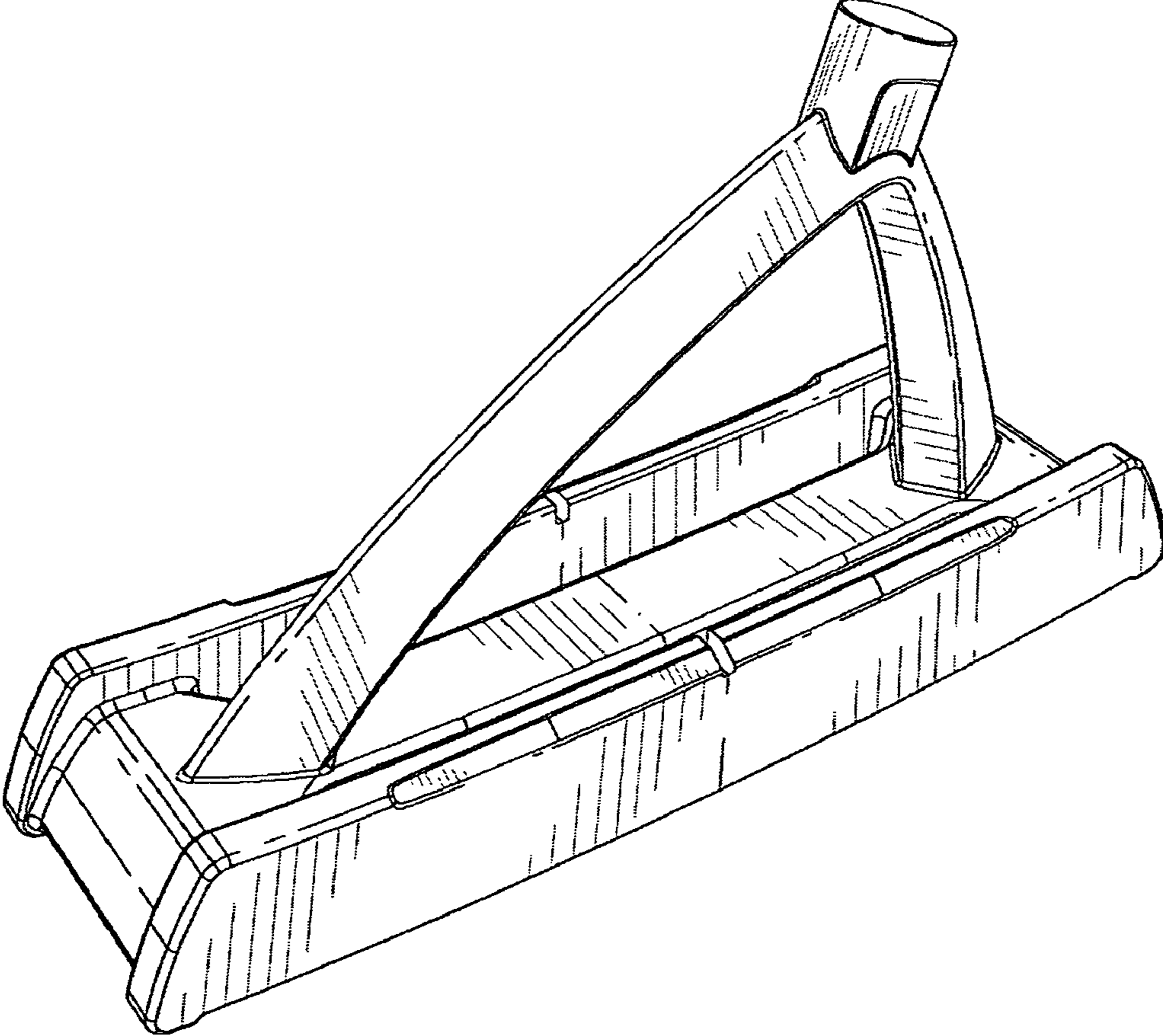


FIG. 2

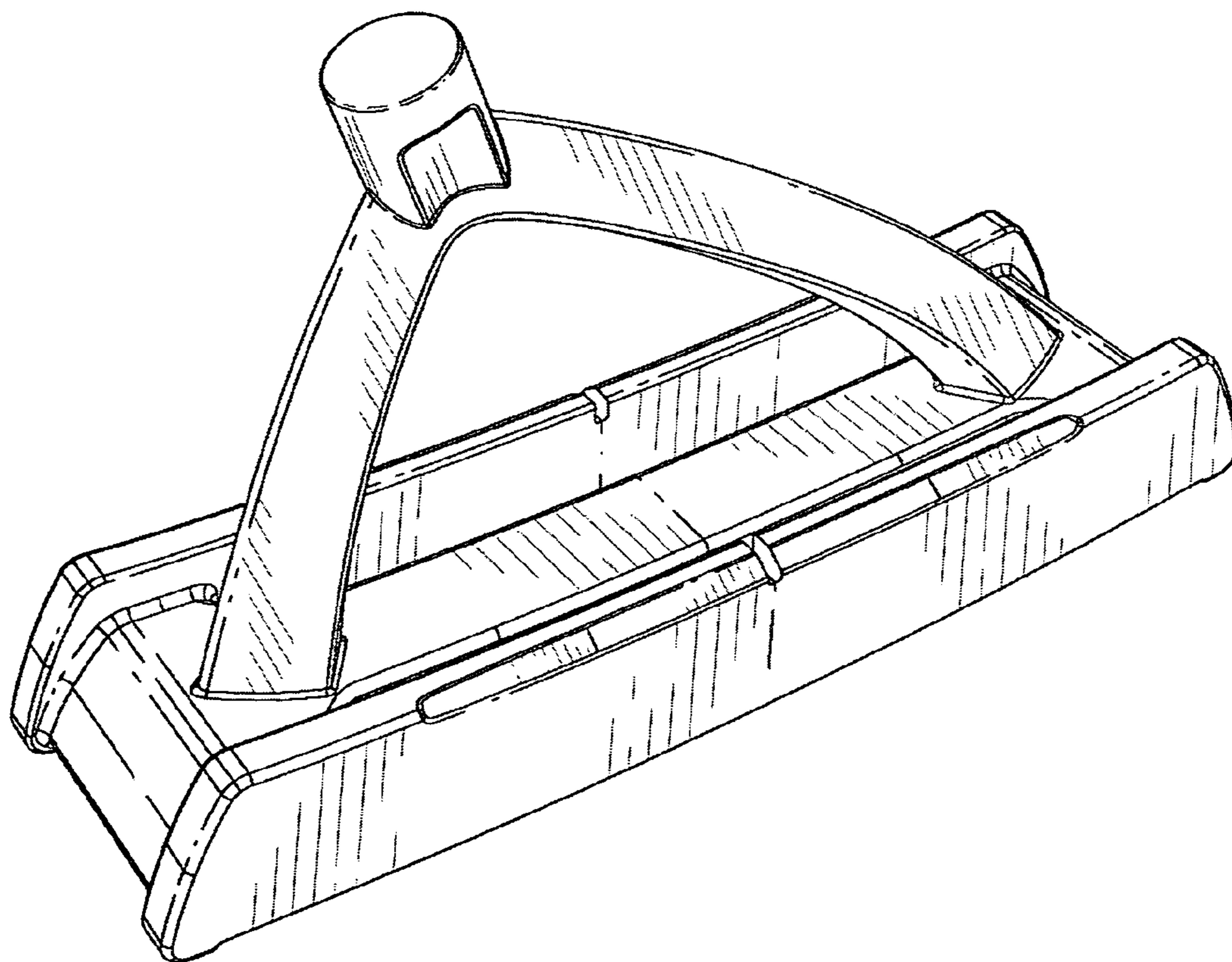


FIG. 3

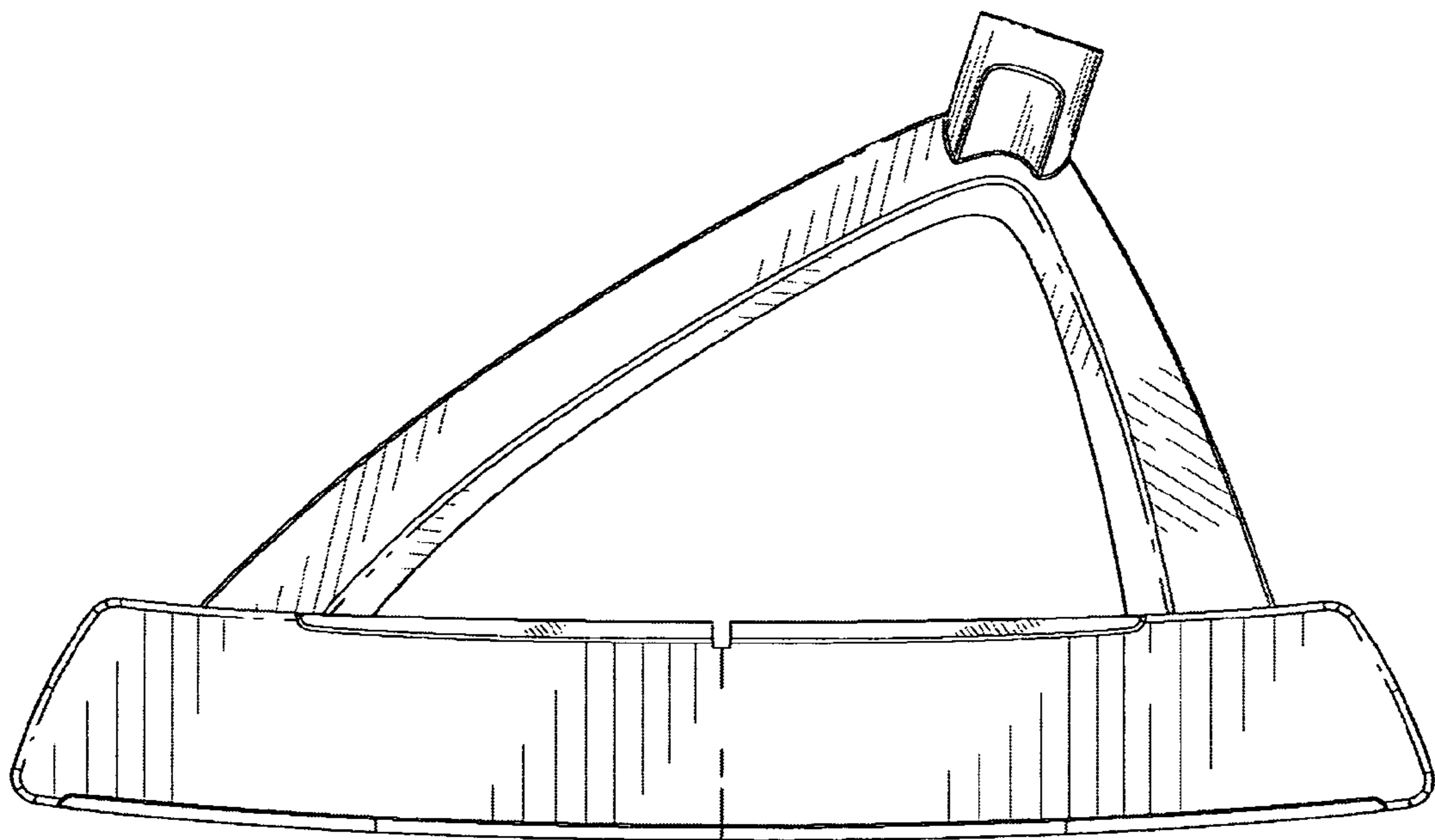


FIG. 4

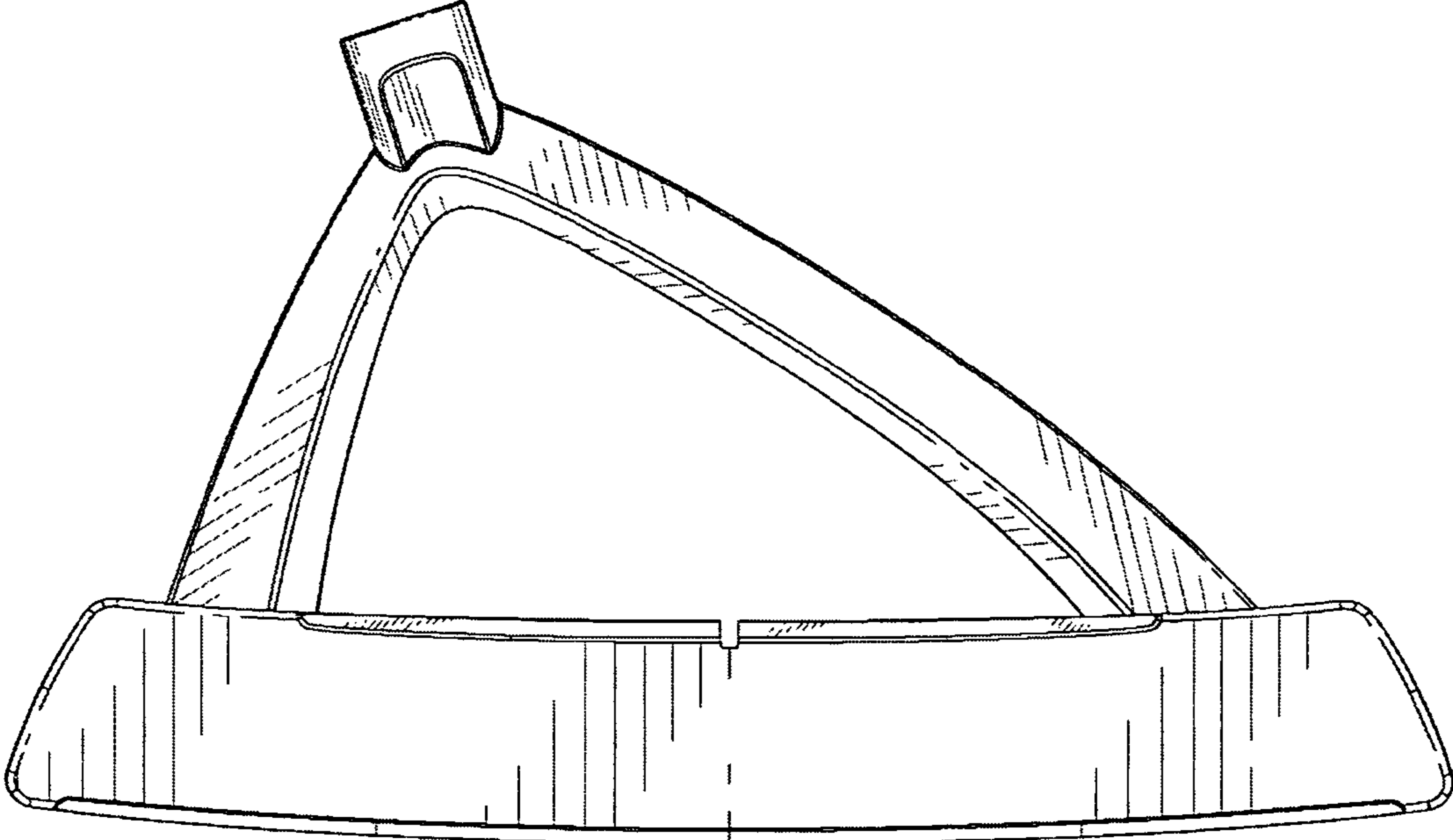


FIG. 5

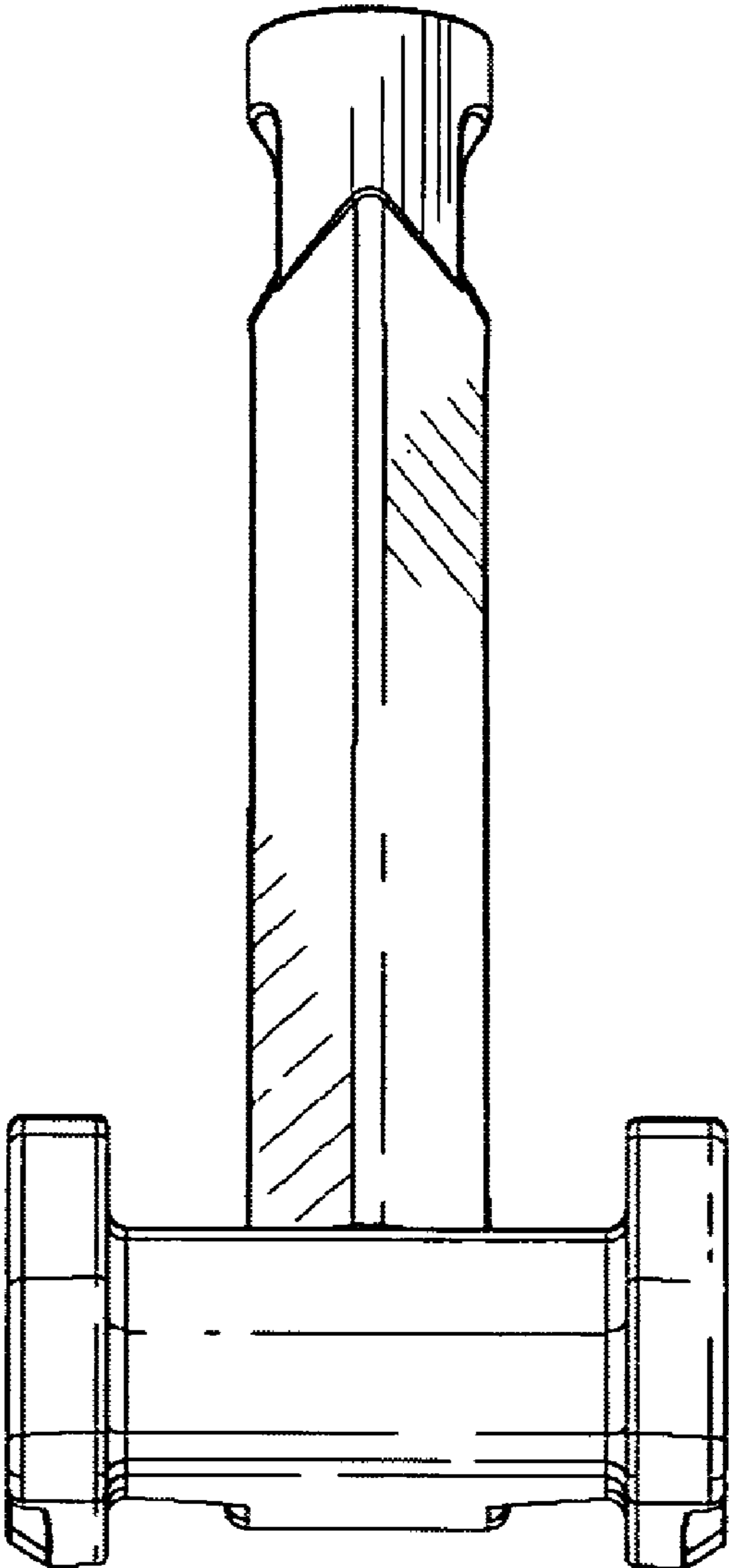


FIG. 6

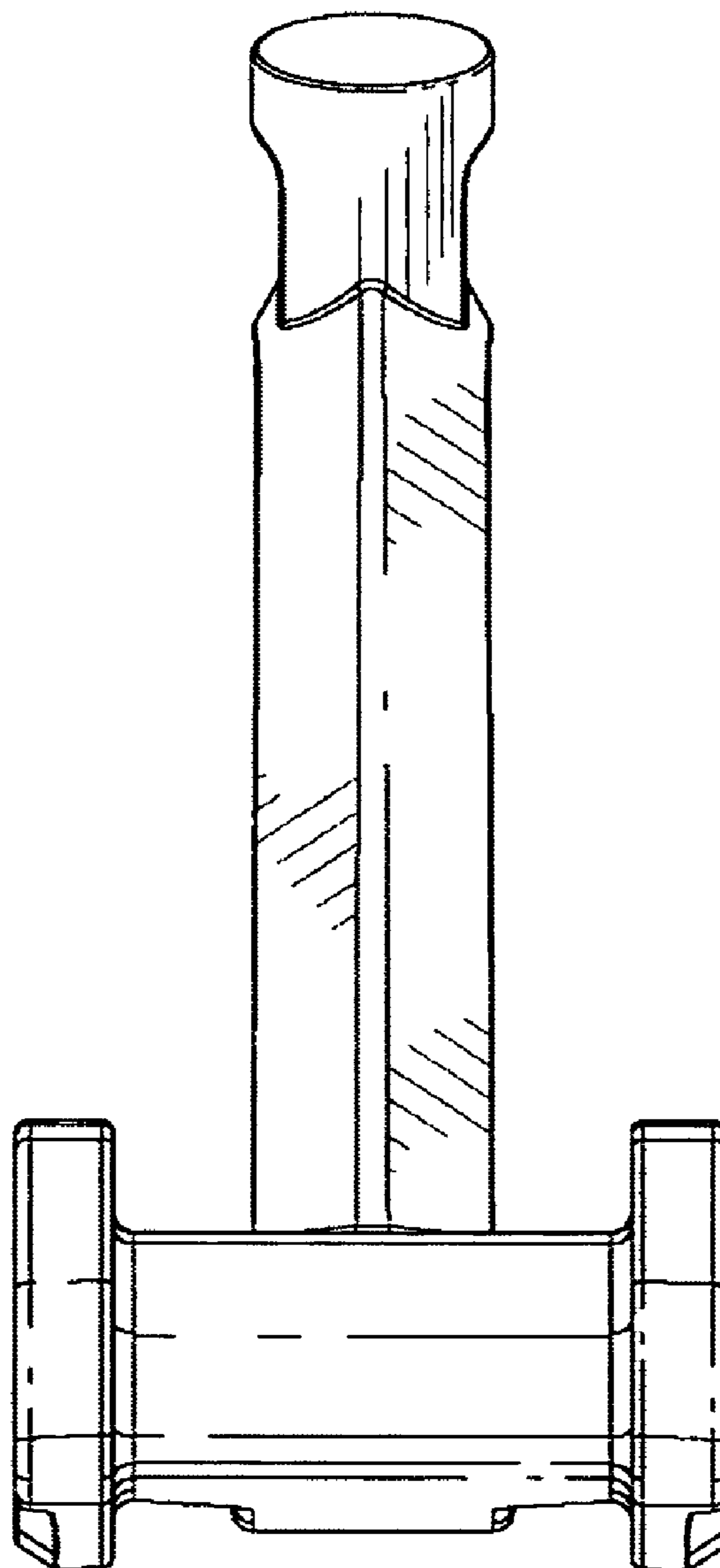


FIG. 7

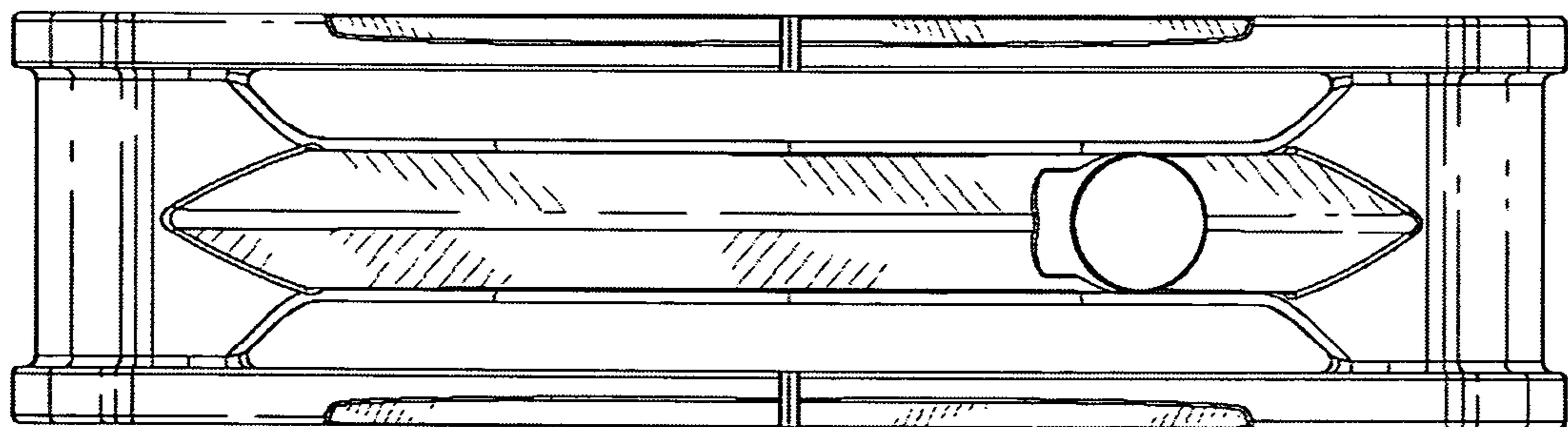


FIG. 8

