



US00D616051S

(12) **United States Design Patent**
Biggs

(10) **Patent No.:** **US D616,051 S**

(45) **Date of Patent:** **** *May 18, 2010**

(54) **GOLF CLUB HEAD**

(76) Inventor: **Wayne Richard Biggs**, c/o 106 Lincoln St., Porter, IN (US) 46304

(*) Notice: This patent is subject to a terminal disclaimer.

(**) Term: **14 Years**

(21) Appl. No.: **29/258,840**

(22) Filed: **Apr. 27, 2006**

(51) **LOC (9) Cl.** **21-02**

(52) **U.S. Cl.** **D21/736**

(58) **Field of Classification Search** D21/736-746;
473/324-331, 248, 251-256, 340-341
See application file for complete search history.

(56) **References Cited**

U.S. PATENT DOCUMENTS

| | | | | | |
|-----------|-----|---------|----------------|-------|---------|
| 4,519,612 | A * | 5/1985 | Tsao | | 473/248 |
| D337,803 | S * | 7/1993 | Sillers | | D21/741 |
| D337,804 | S * | 7/1993 | Sauber | | D21/743 |
| 5,244,210 | A | 9/1993 | Au | | |
| 5,333,863 | A | 8/1994 | Shenoha et al. | | |
| D351,443 | S * | 10/1994 | Caugh et al. | | D21/743 |
| D360,670 | S * | 7/1995 | Nilsson | | D21/741 |
| D362,882 | S | 10/1995 | Shenoha et al. | | |
| 5,518,235 | A | 5/1996 | Mendenhall | | |
| D374,470 | S * | 10/1996 | Steele | | D21/745 |
| D378,390 | S | 3/1997 | Shumway | | |
| 5,607,365 | A | 3/1997 | Wolf | | |
| D380,514 | S * | 7/1997 | Markley | | D21/741 |
| D380,801 | S * | 7/1997 | Steele | | D21/744 |

| | | | | | |
|----------|-----|---------|----------|-------|---------|
| D387,404 | S | 12/1997 | Tylisz | | |
| D388,852 | S | 1/1998 | Giordano | | |
| D410,513 | S | 6/1999 | Gardner | | |
| D444,523 | S * | 7/2001 | Scribner | | D21/736 |

* cited by examiner

Primary Examiner—Mitchell I Siegel
(74) *Attorney, Agent, or Firm*—Welsh & Katz, Ltd.

(57) **CLAIM**

The ornamental design for a golf club head, as shown and described.

DESCRIPTION

FIG. 1 is a perspective view of the golf club head of the claimed design;

FIG. 2 is a top view of the golf club head of FIG. 1 of the claimed design;

FIG. 3 is a rear elevational view of the golf club head of FIG. 1 of the claimed design;

FIG. 4 is a right side elevational view of the golf club head of FIG. 1 of the claimed design;

FIG. 5 is a left side elevational view of the golf club head of FIG. 1 of the claimed design;

FIG. 6 is a bottom view of the golf club head of FIG. 1 of the claimed design; and,

FIG. 7 is a front view of the golf club head of FIG. 1 of the claimed design.

The broken line showing of is included for the purpose of illustrating and forms no part of the claimed design.

1 Claim, 2 Drawing Sheets

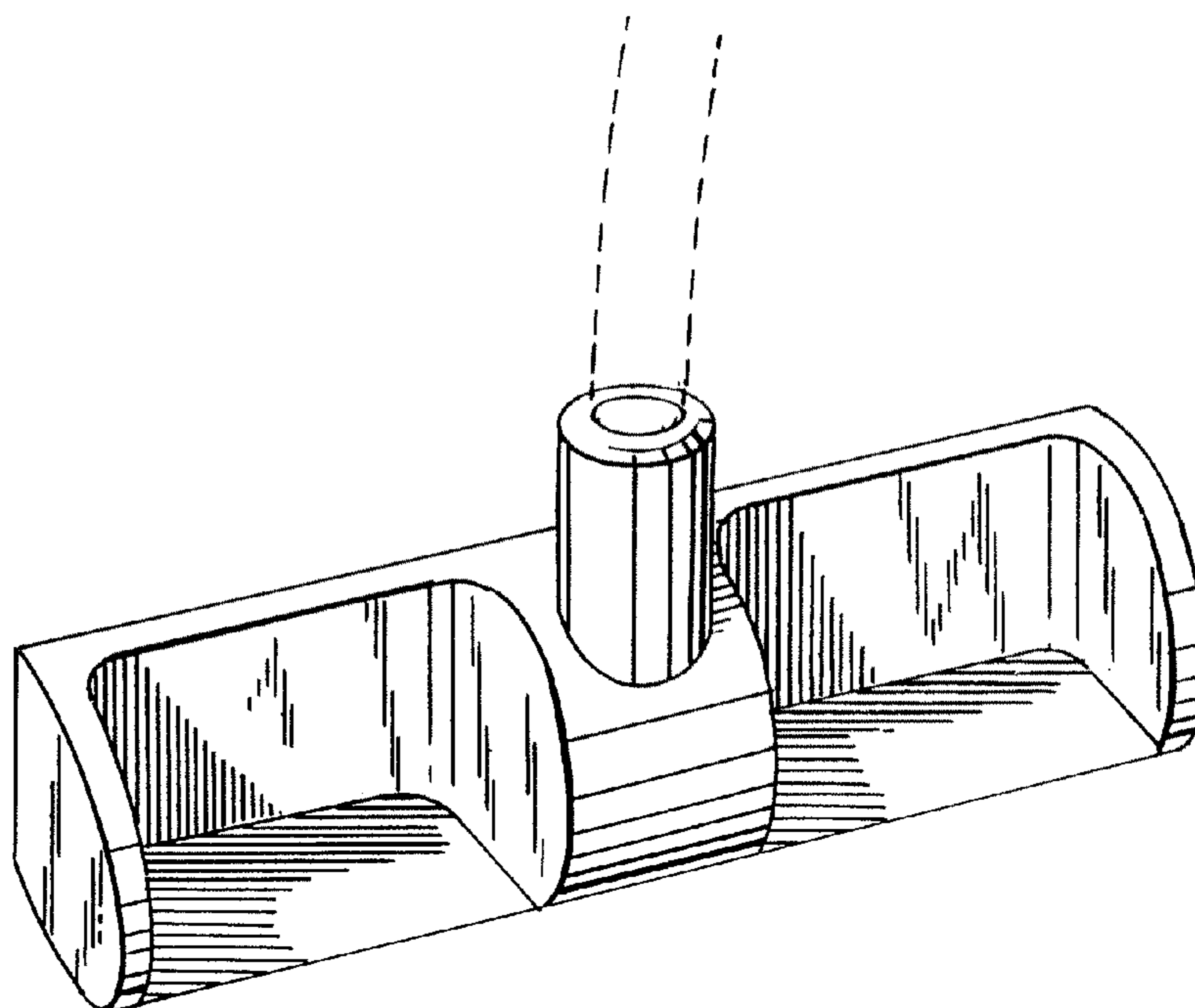


FIG. 1

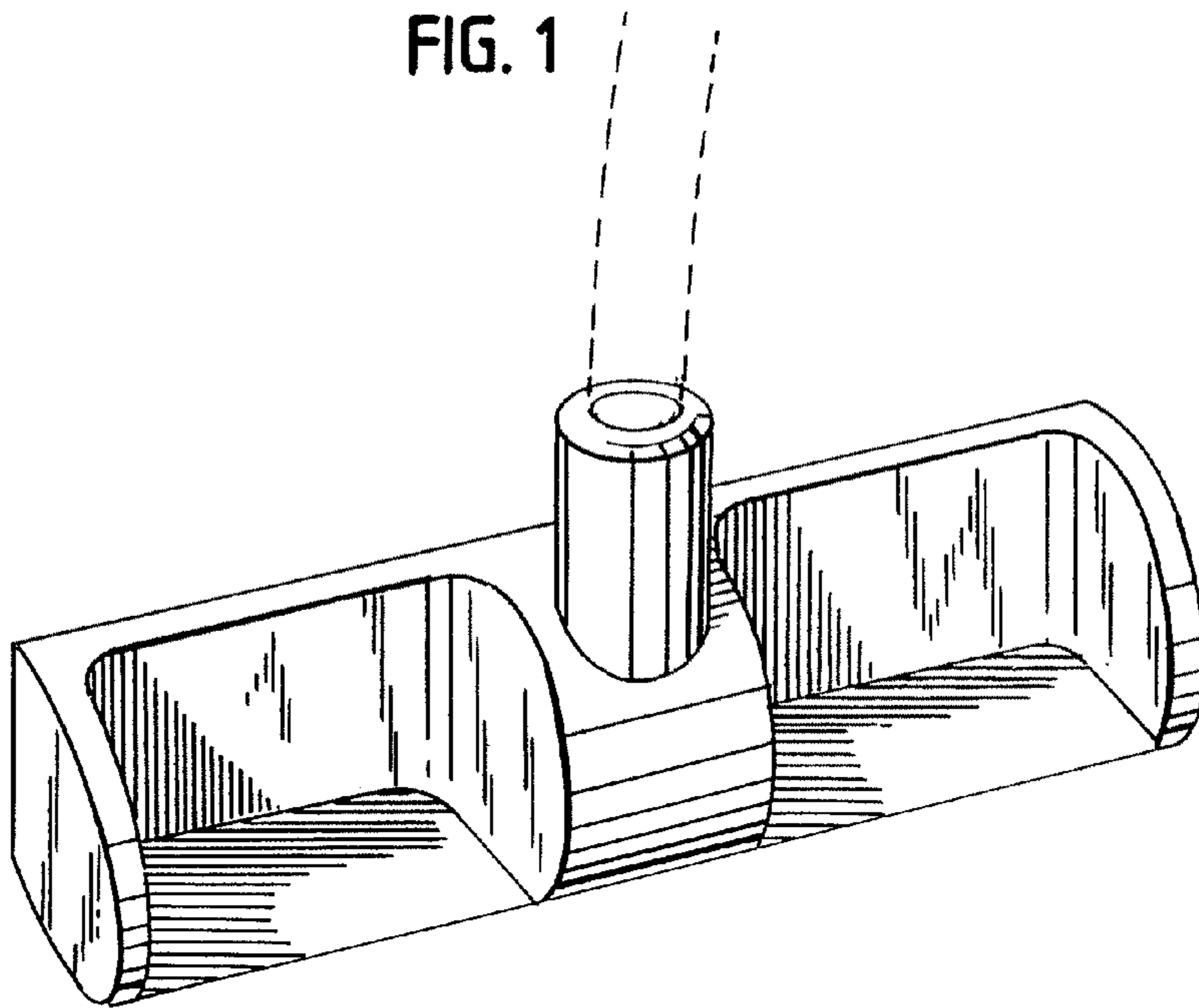


FIG. 4

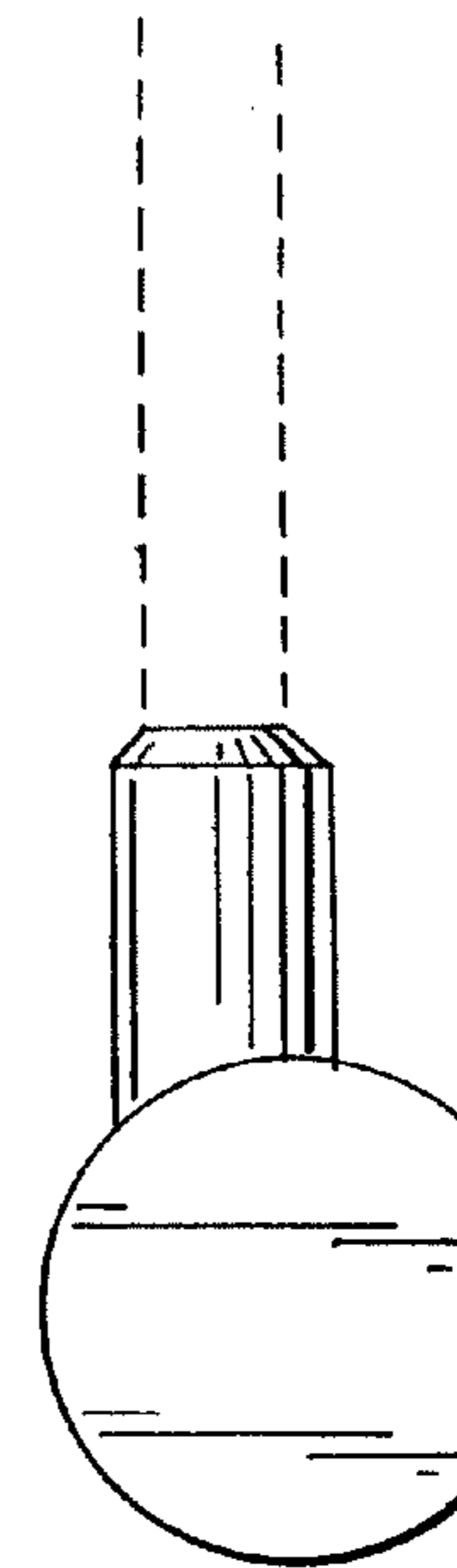


FIG. 2

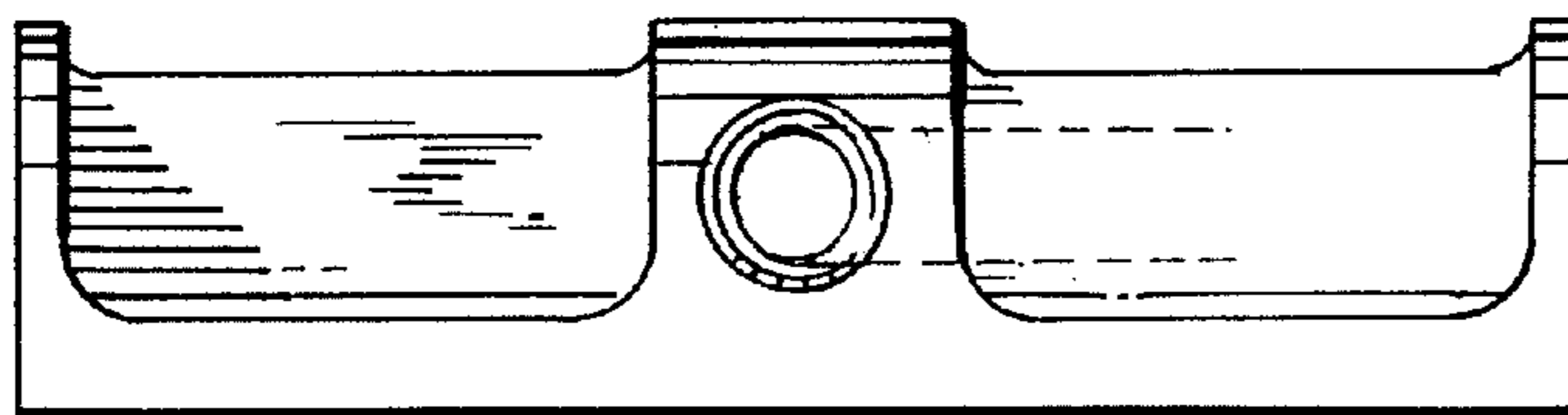


FIG. 5

FIG. 3

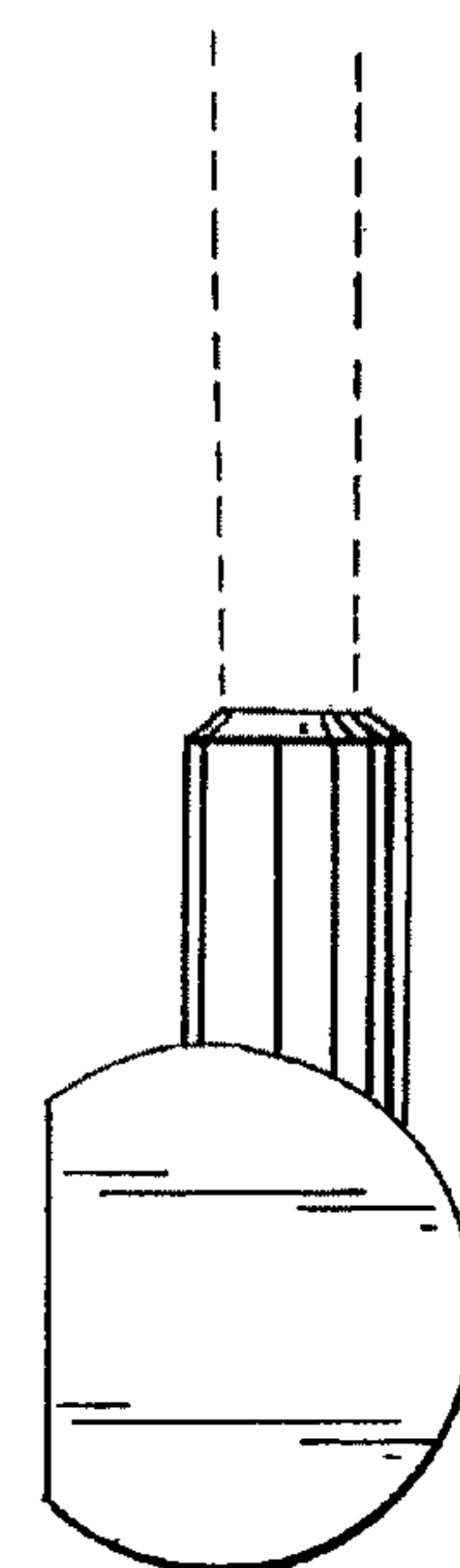
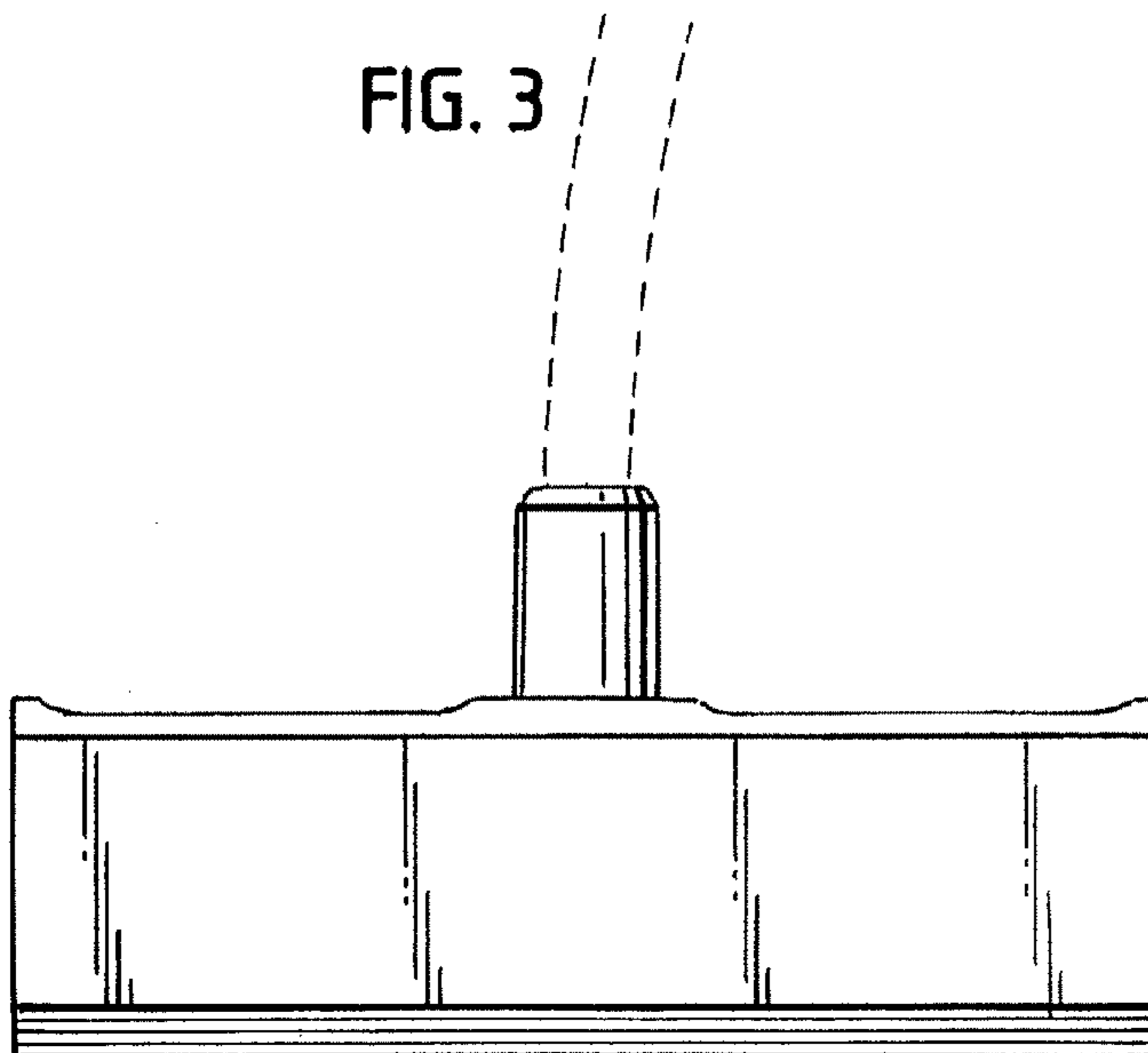


FIG. 6

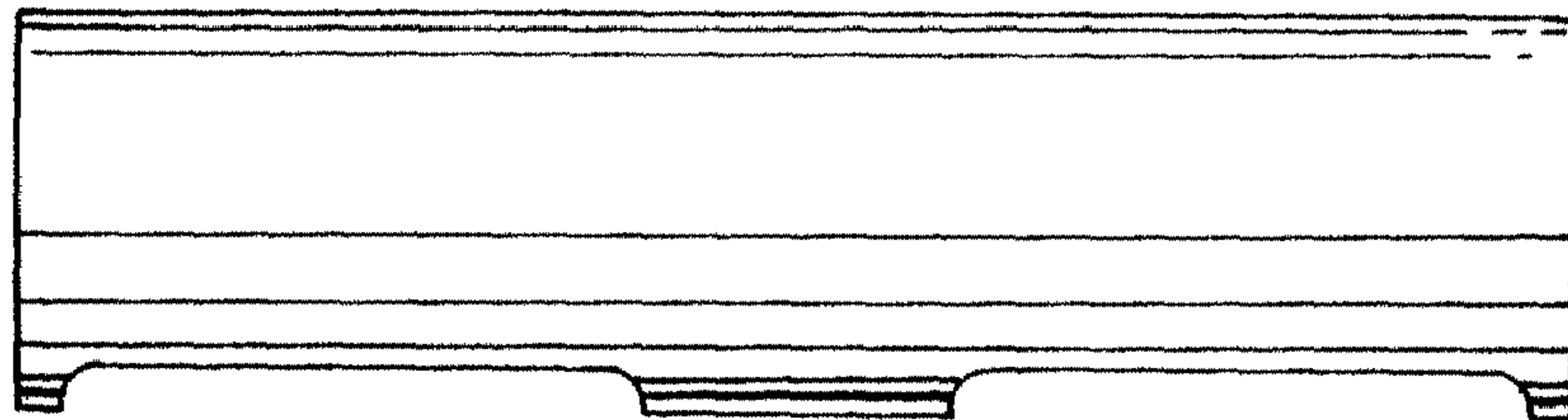


FIG. 7

