



US00D616050S

(12) **United States Design Patent**  
**Lull**

(10) **Patent No.:** **US D616,050 S**  
(45) **Date of Patent:** **\*\* May 18, 2010**

(54) **EXERCISE BIKE**

D285,953 S 9/1986 Gustafsson

(Continued)

(75) Inventor: **Andrew P. Lull**, Boulder, CO (US)

FOREIGN PATENT DOCUMENTS

(73) Assignee: **Nautilus, Inc.**, Vancouver, WA (US)

DE 29900028 4/1999

(\*\*) Term: **14 Years**

(Continued)

(21) Appl. No.: **29/341,238**

OTHER PUBLICATIONS

(22) Filed: **Jul. 31, 2009**

U.S. Appl. No. 12/723,492, filed Mar. 12, 2010, Watt et al.

(51) **LOC (9) Cl.** ..... **21-02**

*Primary Examiner*—Philip S Hyder

(52) **U.S. Cl.** ..... **D21/667**

*Assistant Examiner*—Susan E Krakower

(58) **Field of Classification Search** ..... D21/662–670,  
D21/694, 697; 482/51–52, 57–59, 61–65,  
482/70; 280/266, 282, 284, 288.1, 304.4;  
D12/111

(74) *Attorney, Agent, or Firm*—Dorsey & Whitney LLP

See application file for complete search history.

(57) **CLAIM**

The ornamental design for an exercise bike, as shown and described.

(56) **References Cited**

**DESCRIPTION**

U.S. PATENT DOCUMENTS

FIG. 1 is a rear isometric view of an exercise bike of the present invention, with the broken lines representing an environment of the exercise bike and forming no part of the claimed design;

3,233,916 A	2/1966	Bowden	
3,554,585 A	1/1971	Sorenson	
3,708,937 A	1/1973	Sterner	
3,952,987 A	4/1976	Bevington	
3,995,491 A *	12/1976	Wolfla, II	73/379.07
4,003,168 A	1/1977	Brady	
4,113,221 A	9/1978	Wehner	
D251,747 S	5/1979	Valentine et al.	
4,165,854 A	8/1979	Duly	
4,313,602 A *	2/1982	Sullivan	482/63
4,337,503 A	6/1982	Turner	
4,340,125 A	7/1982	Watanabe et al.	
4,513,986 A	4/1985	Trimble	
D280,117 S	8/1985	Collins	
D280,118 S	8/1985	Collins	
4,550,927 A	11/1985	Resele	
D284,596 S	7/1986	McNeil	

FIG. 2 is a right elevation view of the exercise bike of FIG. 1;

FIG. 3 is a front view of the exercise bike of FIG. 1;

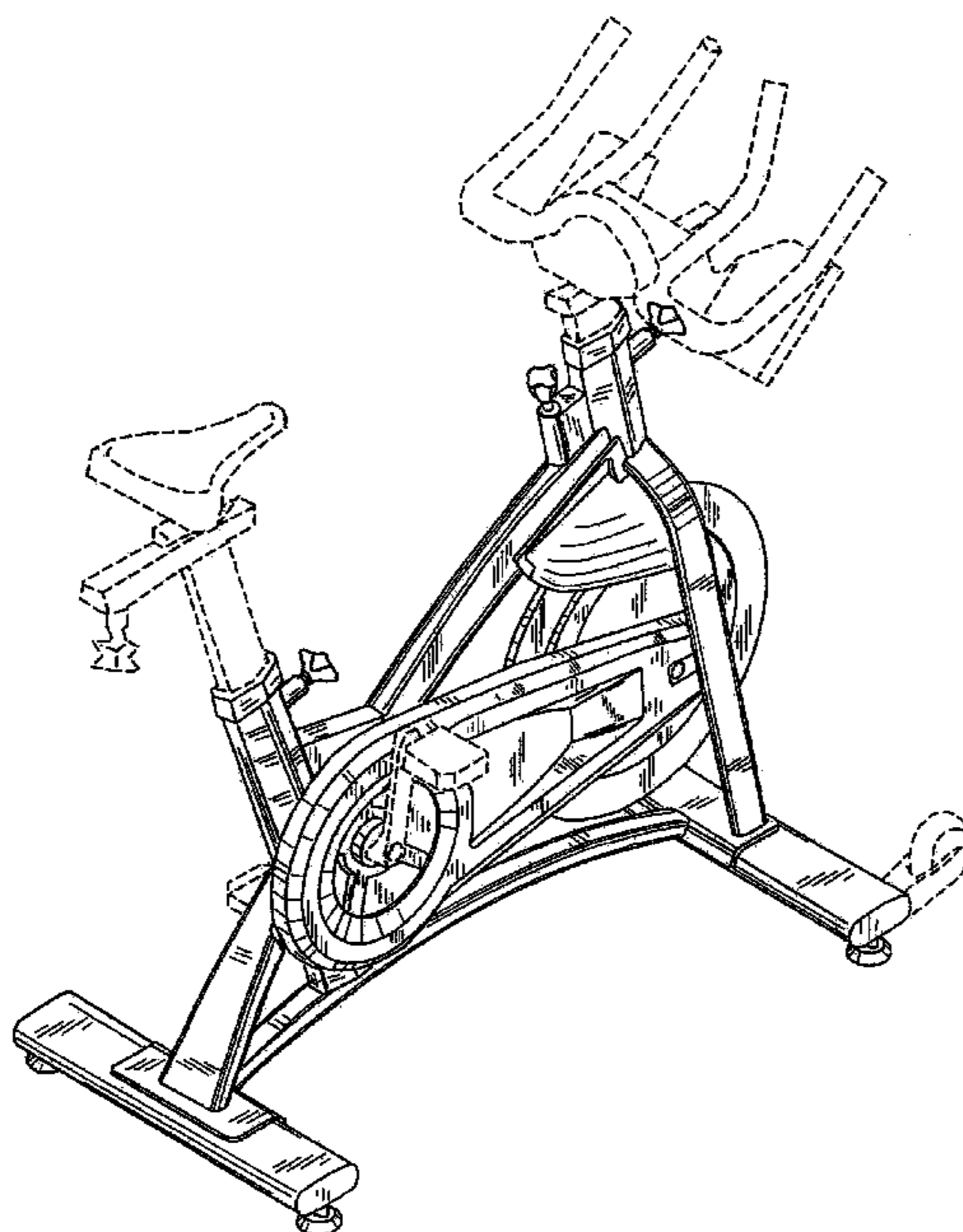
FIG. 4 is a left elevation view of the exercise bike of FIG. 1;

FIG. 5 is a rear elevation view of the exercise bike of FIG. 1, with the broken lines representing boundaries of the exercise bike and forming no part of the claimed design;

FIG. 6 is a top view of the exercise bike of FIG. 1, with the broken lines representing boundaries of the exercise bike and forming no part of the claimed design; and,

FIG. 7 is a bottom view of the exercise bike of FIG. 1.

**1 Claim, 6 Drawing Sheets**



# US D616,050 S

Page 2

## U.S. PATENT DOCUMENTS

4,613,146	A	9/1986	Sharp et al.	
D289,782	S	5/1987	Szymiski et al.	
D291,462	S	8/1987	Aalto	
D291,713	S	9/1987	Kiiski	
D292,225	S	10/1987	Breger	
D292,304	S	10/1987	Ostrom	
D296,457	S	6/1988	Anitua	
D299,732	S	2/1989	Gustafsson	
4,824,102	A *	4/1989	Lo .....	482/59
D313,055	S *	12/1990	Watterson .....	D21/696
5,046,723	A	9/1991	Szymiski et al.	
5,224,396	A	7/1993	Lobbezoo et al.	
5,285,696	A	2/1994	Taylor	
5,319,994	A	6/1994	Miller	
5,319,995	A	6/1994	Huang	
5,351,980	A	10/1994	Huang	
5,423,728	A	6/1995	Goldberg	
5,433,552	A	7/1995	Thyu	
5,451,071	A	9/1995	Pong et al.	
5,464,240	A	11/1995	Robinson et al.	
5,472,396	A	12/1995	Brazaitis	
5,499,961	A	3/1996	Mattox	
D372,284	S	7/1996	Wang et al.	
D380,796	S	7/1997	Wang et al.	
D382,924	S	8/1997	Wu	
D382,925	S	8/1997	Wu	
5,660,085	A	8/1997	Tamplin	
D385,228	S	10/1997	Thompson et al.	
5,722,916	A	3/1998	Goldberg	
5,740,700	A	4/1998	Redmond	
D407,767	S	4/1999	Chang	
5,934,631	A	8/1999	Becker et al.	
5,947,873	A	9/1999	Sands et al.	
5,957,425	A	9/1999	Conway et al.	
5,961,424	A *	10/1999	Warner et al. ....	482/63
5,996,145	A	12/1999	Taylor	
6,126,577	A *	10/2000	Chang .....	482/57
6,146,313	A	11/2000	Whan-Tong et al.	
6,186,027	B1	2/2001	Nielsen	
6,233,898	B1	5/2001	Burlando	
6,264,878	B1	7/2001	Busby	

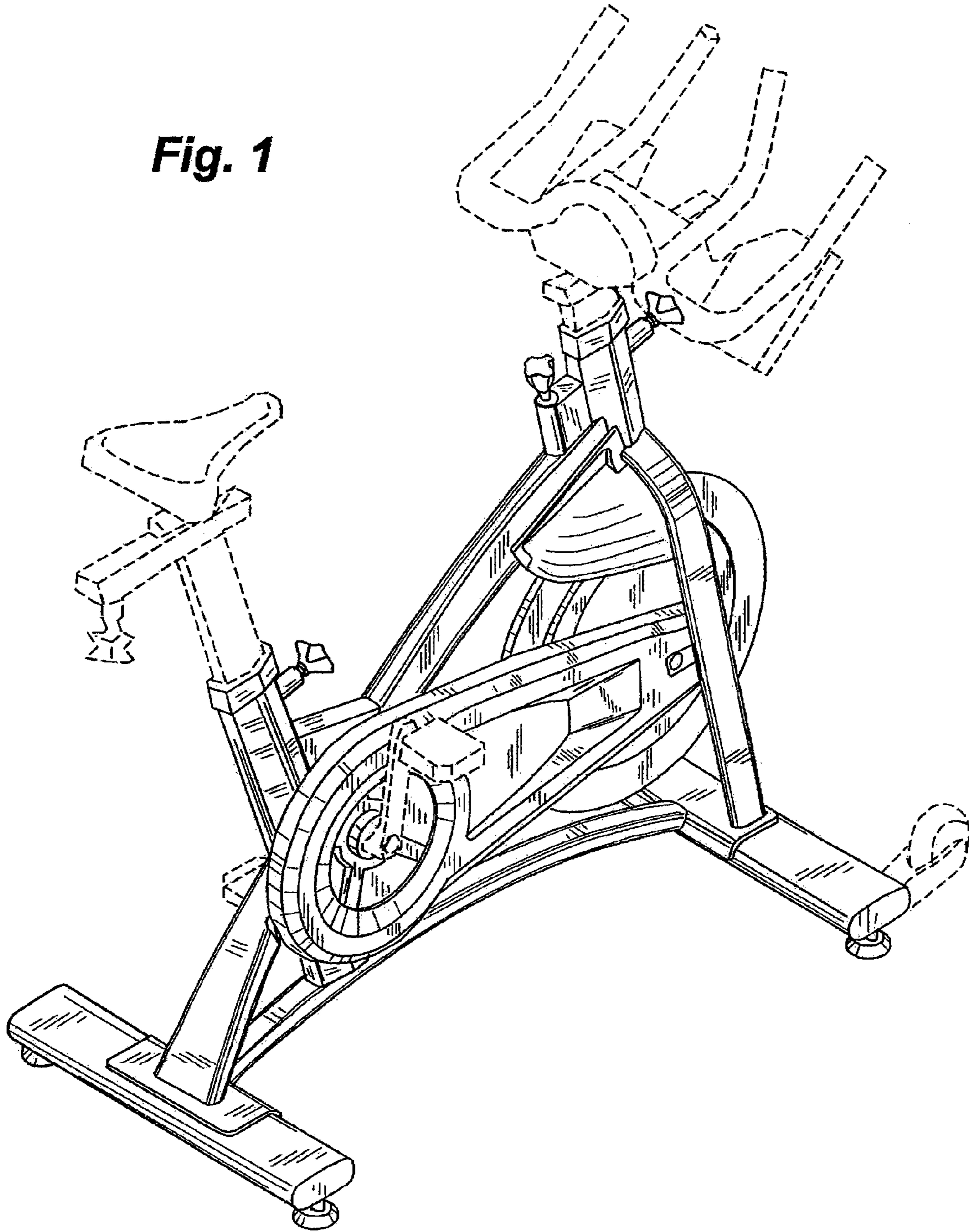
6,383,121	B1	5/2002	Galasso et al.	
D460,133	S	7/2002	Baker	
D460,794	S	7/2002	Baker	
6,413,191	B1	7/2002	Harris et al.	
6,468,185	B1 *	10/2002	Goldberg .....	482/57
6,551,226	B1	4/2003	Webber et al.	
D474,252	S	5/2003	Lull et al.	
6,564,673	B1	5/2003	Kilmer	
6,612,600	B2	9/2003	Devitt et al.	
6,612,970	B2	9/2003	Forcillo	
6,669,603	B1	12/2003	Forcillo	
6,793,608	B2 *	9/2004	Goldberg et al. ....	482/57
6,881,178	B1 *	4/2005	Goldberg .....	482/57
6,901,879	B2	6/2005	Burlando	
D507,313	S *	7/2005	Goldberg .....	D21/697
7,081,070	B1 *	7/2006	Washington et al. ....	482/57
D526,031	S *	8/2006	Corbalis et al. ....	D21/663
7,172,532	B2	2/2007	Baker	
7,175,570	B2 *	2/2007	Lull et al. ....	482/57
7,226,393	B2	6/2007	Baker	
7,326,151	B2 *	2/2008	Peterson et al. ....	482/61
7,364,533	B2	4/2008	Baker	
7,413,530	B2 *	8/2008	Warner et al. ....	482/57
D579,989	S *	11/2008	Bingham et al. ....	D21/667
7,455,627	B2 *	11/2008	Goldberg .....	482/57
7,569,001	B2 *	8/2009	Warner et al. ....	482/63
7,591,765	B2 *	9/2009	Warner et al. ....	482/63
2002/0151414	A1 *	10/2002	Baker .....	482/57
2003/0171191	A1 *	9/2003	Crawford et al. ....	482/57
2003/0211918	A1 *	11/2003	Warner et al. ....	482/57
2004/0248701	A1 *	12/2004	Baker .....	482/57
2004/0248702	A1 *	12/2004	Baker .....	482/57
2007/0281835	A1	12/2007	Baker	

## FOREIGN PATENT DOCUMENTS

EP	0312207	4/1989
GB	1281731	7/1972
TW	231529	10/1994
TW	304432	5/1997
WO	WO 9625984	8/1996

\* cited by examiner

**Fig. 1**



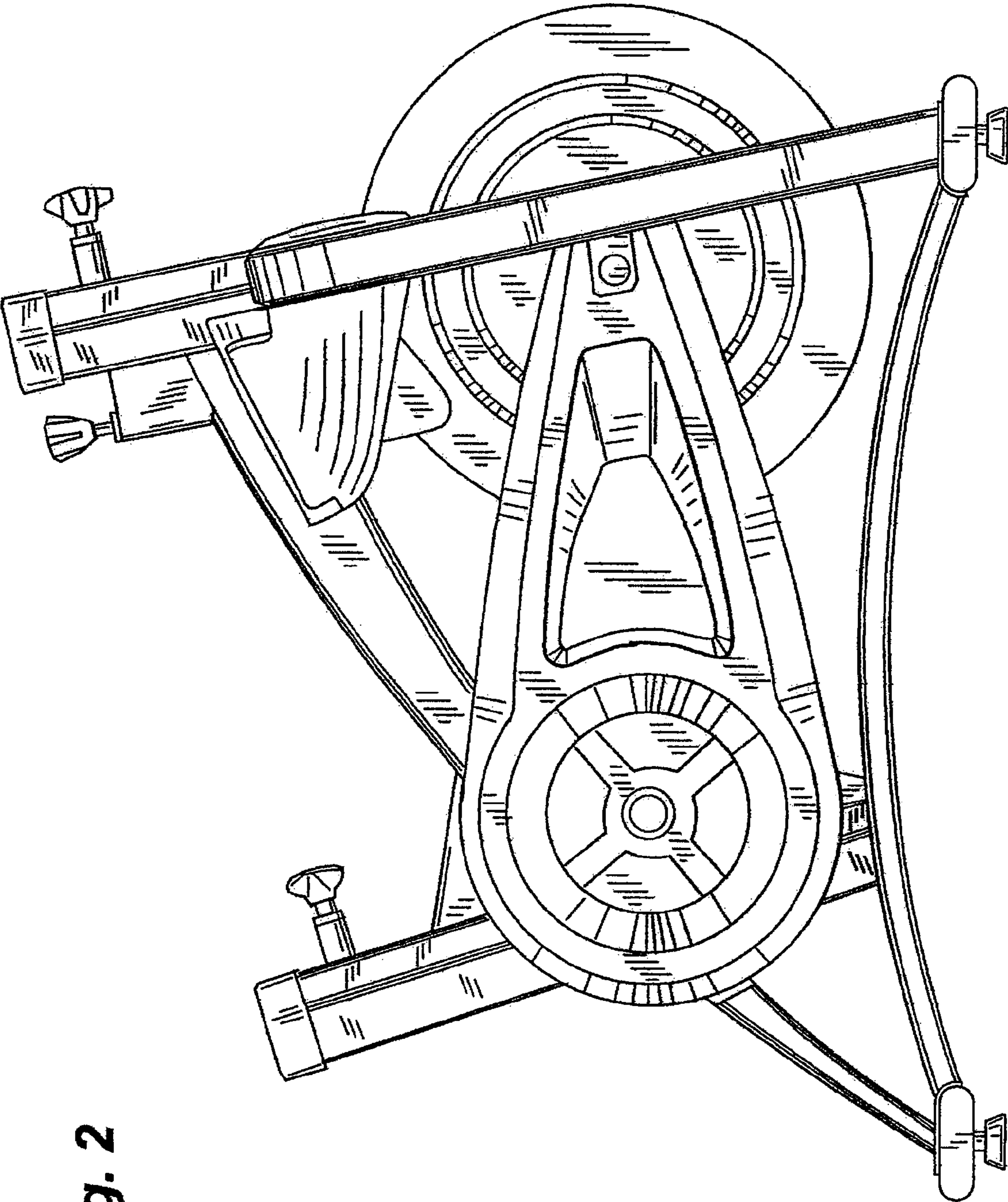


Fig. 2

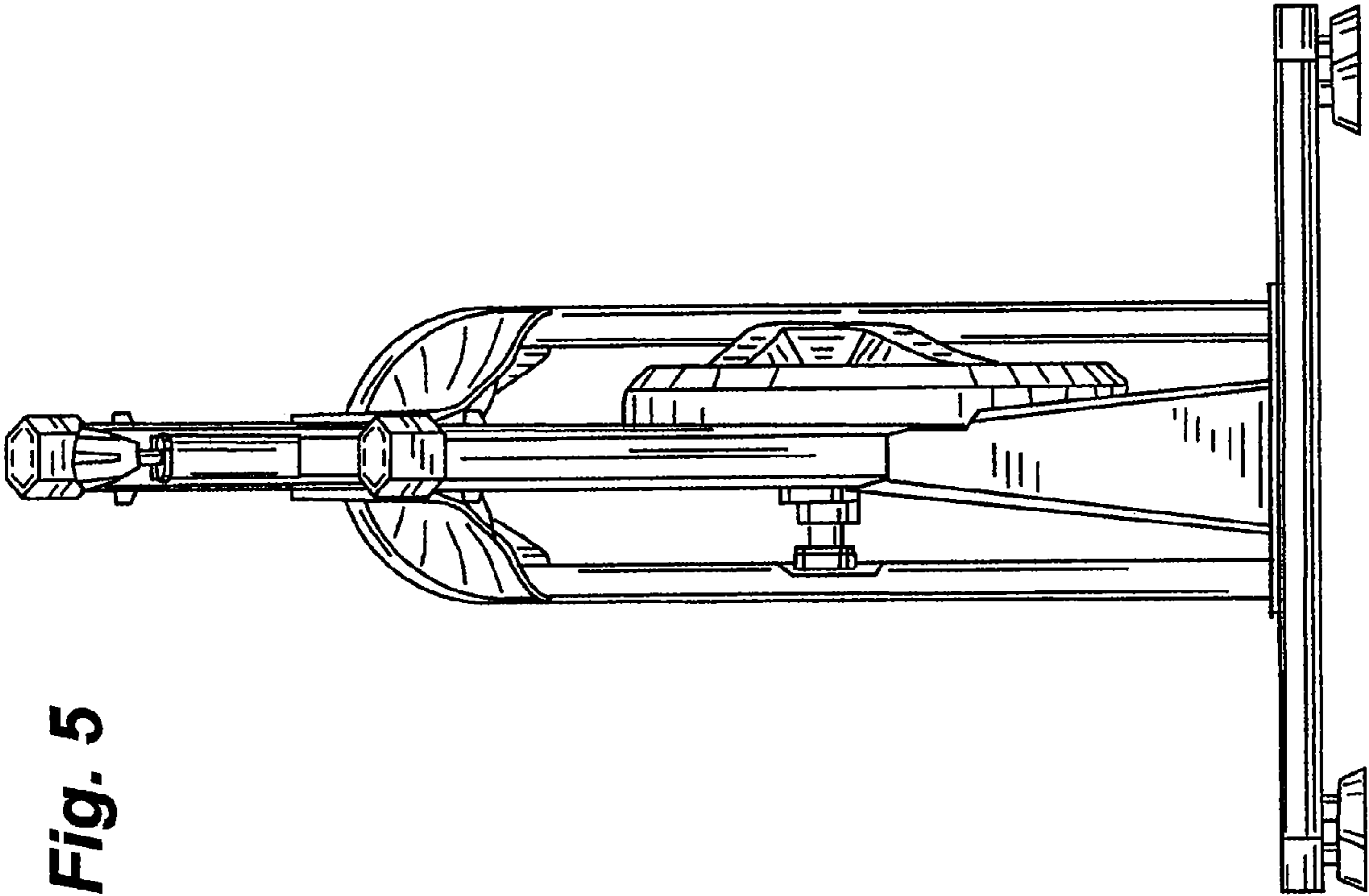


Fig. 5

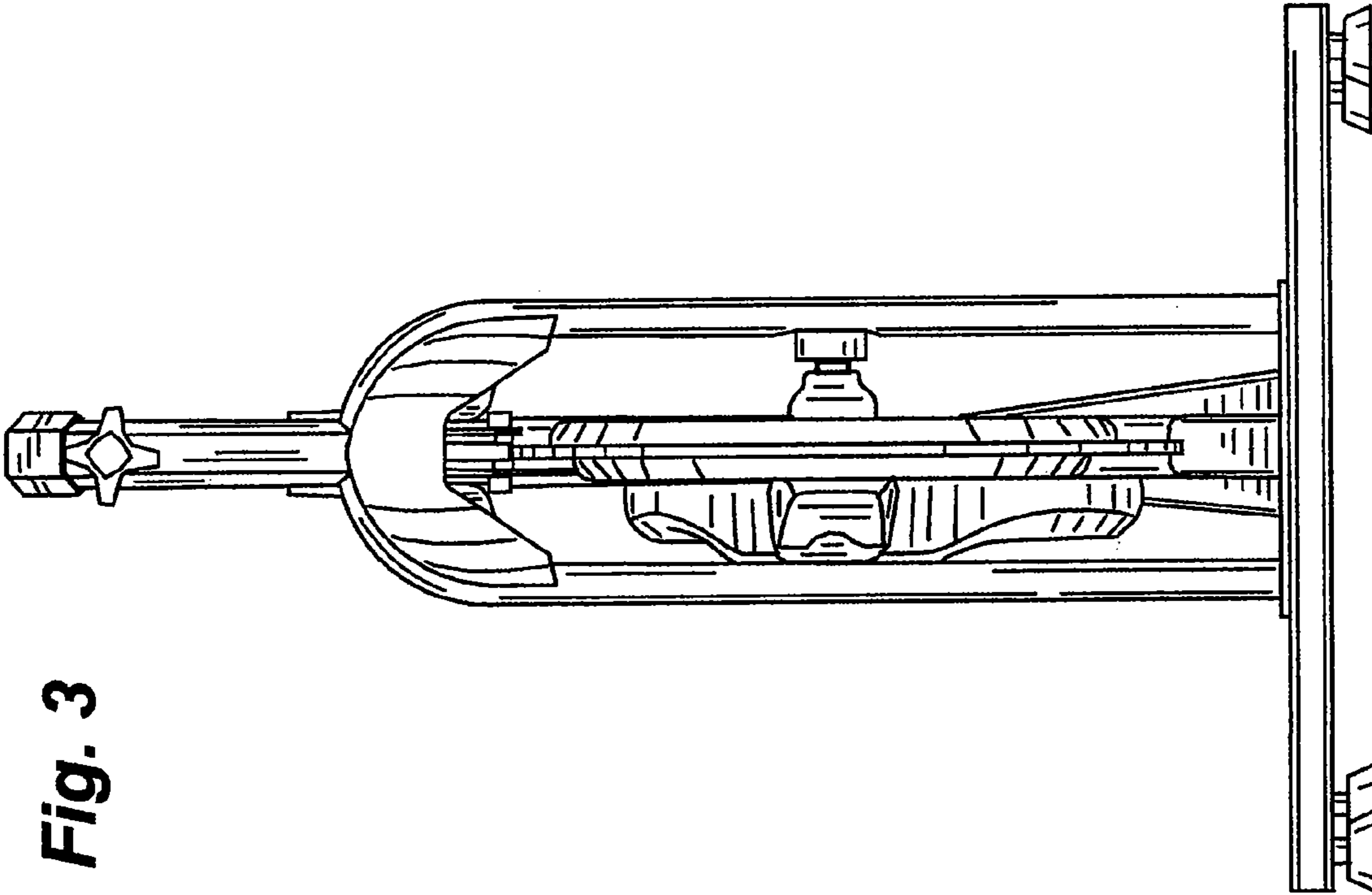


Fig. 3

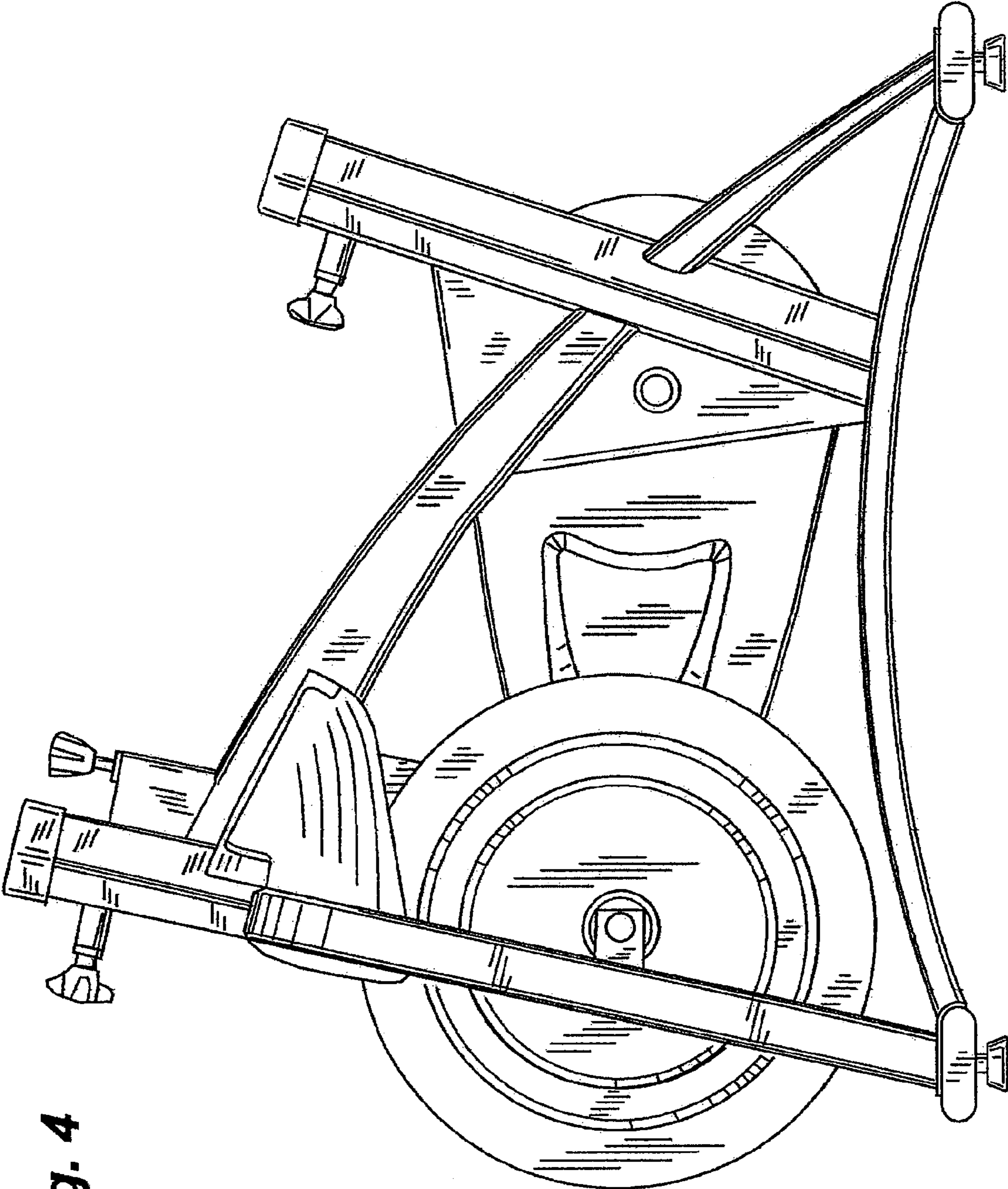
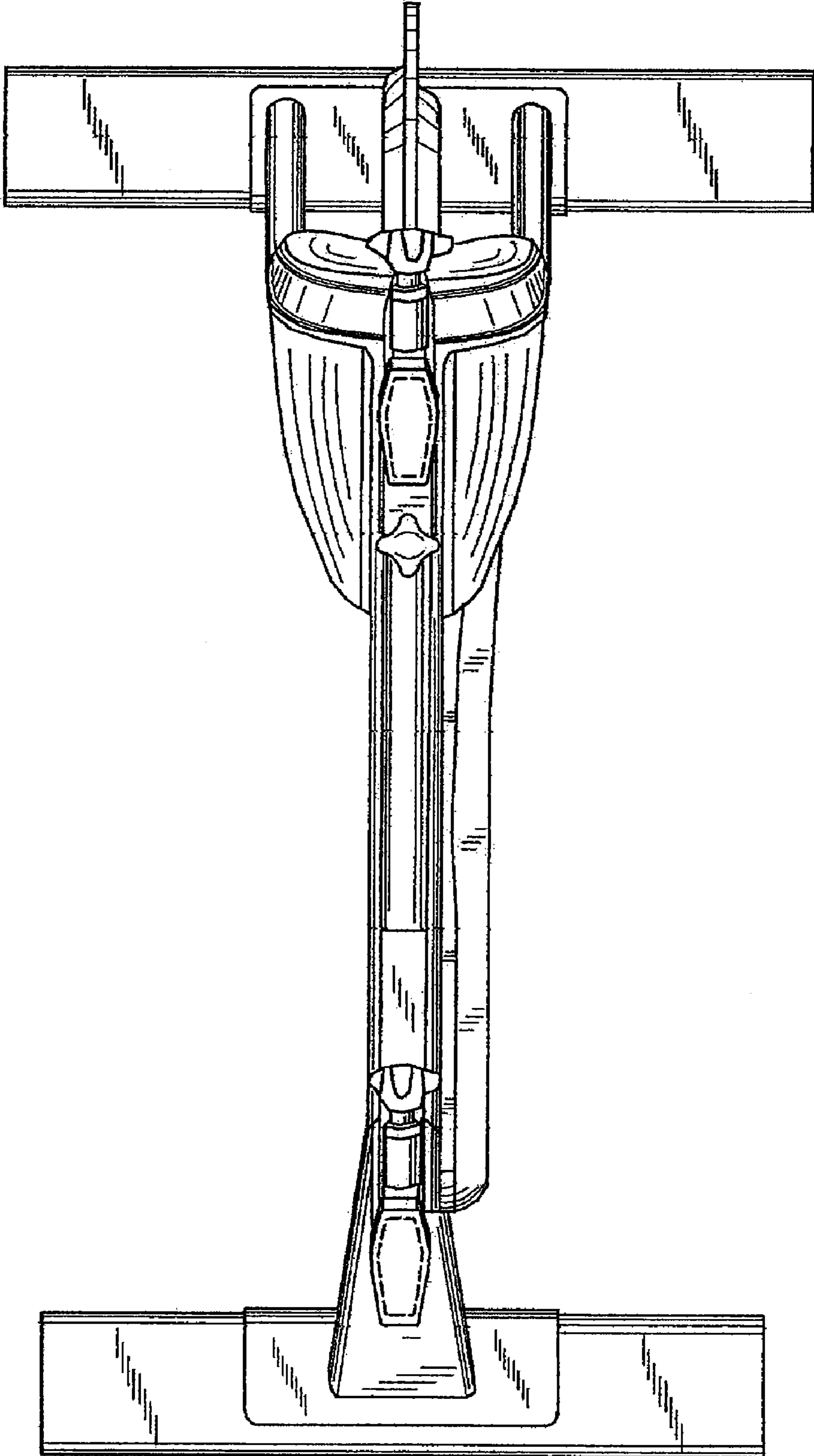


Fig. 4



**Fig. 6**

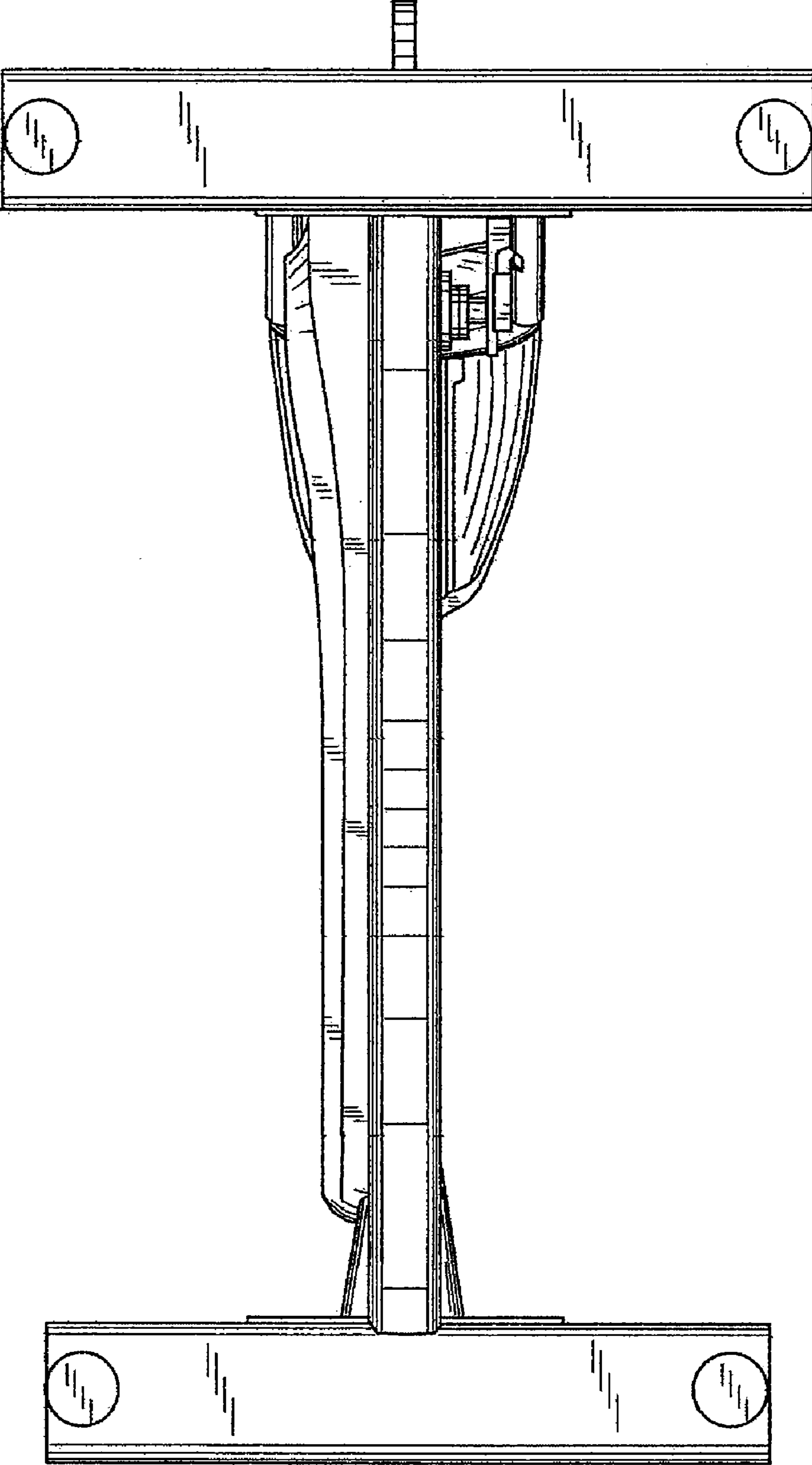


Fig. 7