



US00D616049S

(12) **United States Design Patent**  
**Kwak et al.**

(10) **Patent No.:** **US D616,049 S**  
(45) **Date of Patent:** **\*\* May 18, 2010**

(54) **HORSE RIDING FITNESS EQUIPMENT**

(75) Inventors: **Gwang Hyon Kwak**, Seoul (KR); **Jin Hyu Yang**, Seoul (KR); **Chin Soo Hyon**, Seoul (KR)

(73) Assignee: **LG Electronics Inc.**, Seoul (KR)

(\*\*) Term: **14 Years**

(21) Appl. No.: **29/340,403**

(22) Filed: **Jul. 17, 2009**

(30) **Foreign Application Priority Data**

Jan. 20, 2009 (KR) ..... 30-2009-0002537

(51) **LOC (9) Cl.** ..... **21-02**

(52) **U.S. Cl.** ..... **D21/662; D21/690**

(58) **Field of Classification Search** ..... D21/321,  
D21/413, 416, 419, 662-677, 680, 686-691,  
D21/694, 697, 767, 828, 831; 482/51-52,  
482/57-59, 61-65, 70, 97, 99, 100, 132;  
D6/552; D24/183; 472/96-97; 446/313  
See application file for complete search history.

(56) **References Cited**

**U.S. PATENT DOCUMENTS**

D440,264 S *	4/2001	Venhuizen	.....	D21/690
D459,419 S *	6/2002	Nishiyama et al.	.....	D21/686
D512,755 S *	12/2005	Nishiyama et al.	.....	D21/690
D532,828 S *	11/2006	Muramatsu	.....	D21/690
D575,362 S *	8/2008	Ng	.....	D21/690
D575,835 S *	8/2008	Lin	.....	D21/662

D581,995 S *	12/2008	Muramatsu	.....	D21/690
7,608,017 B2 *	10/2009	Nakanishi	.....	482/51
2002/0115536 A1 *	8/2002	Hojo et al.	.....	482/51
2007/0179022 A1 *	8/2007	Chen	.....	482/51
2007/0238579 A1 *	10/2007	Nakano	.....	482/51
2007/0293373 A1 *	12/2007	Nakanishi	.....	482/51
2008/0153673 A1 *	6/2008	Lin	.....	482/51

\* cited by examiner

*Primary Examiner*—T. Chase Nelson

*Assistant Examiner*—Susan E Krakower

(74) *Attorney, Agent, or Firm*—Birch, Stewart, Kolasch & Birch, LLP

(57) **CLAIM**

We claim the ornamental design for a horse riding fitness equipment, as shown and described.

**DESCRIPTION**

FIG. 1 is a perspective view of a horse riding fitness equipment showing our new design:

FIG. 2 is a front elevation view thereof;

FIG. 3 is a rear elevation view thereof;

FIG. 4 is a left-side elevation view thereof;

FIG. 5 is a right-side elevation view thereof;

FIG. 6 is a top plan view thereof; and,

FIG. 7 is a bottom plan view thereof.

The broken lines illustrate portions of the horse riding fitness equipment that form no part of the claimed design.

**1 Claim, 5 Drawing Sheets**

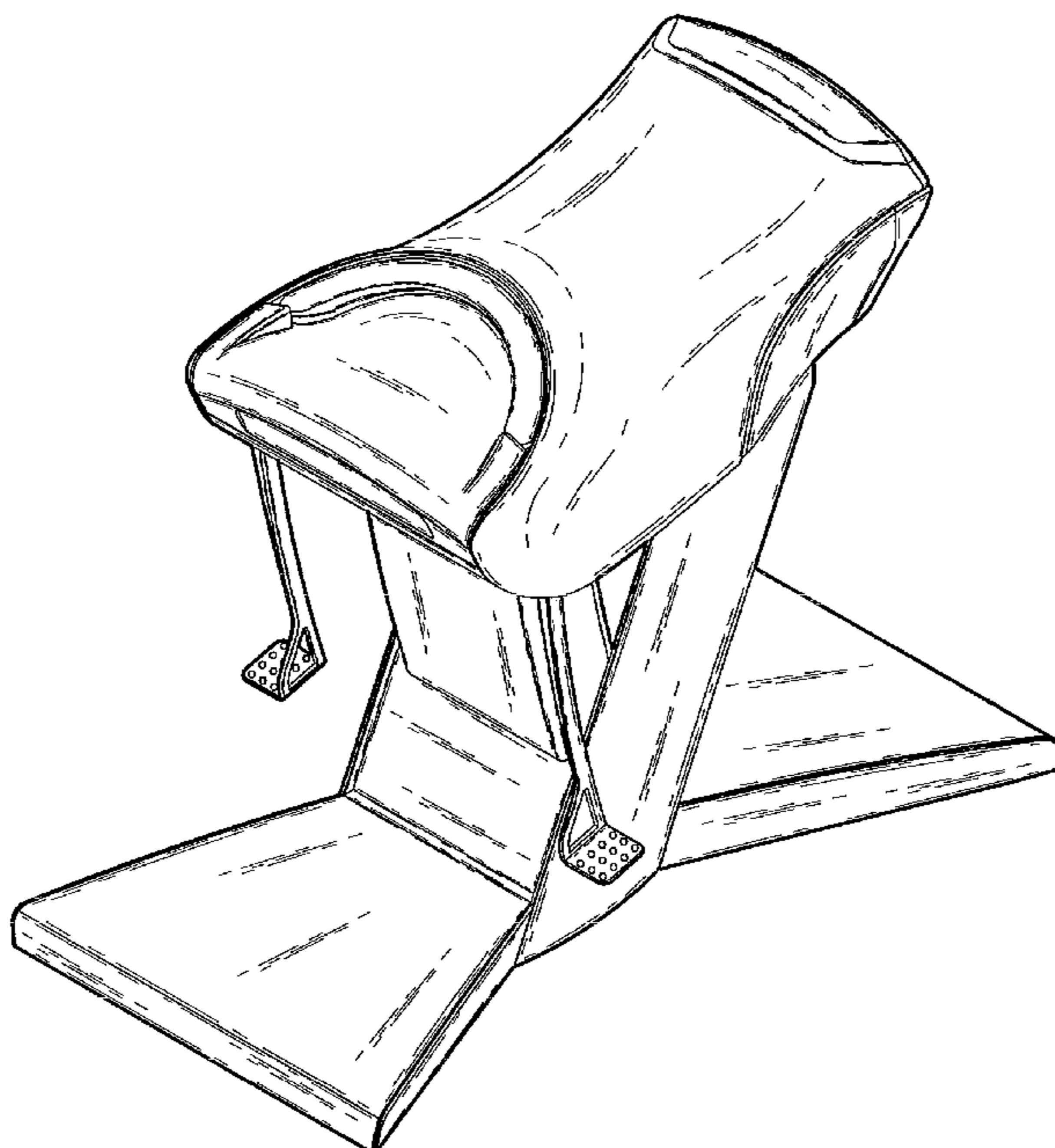


FIG. 1

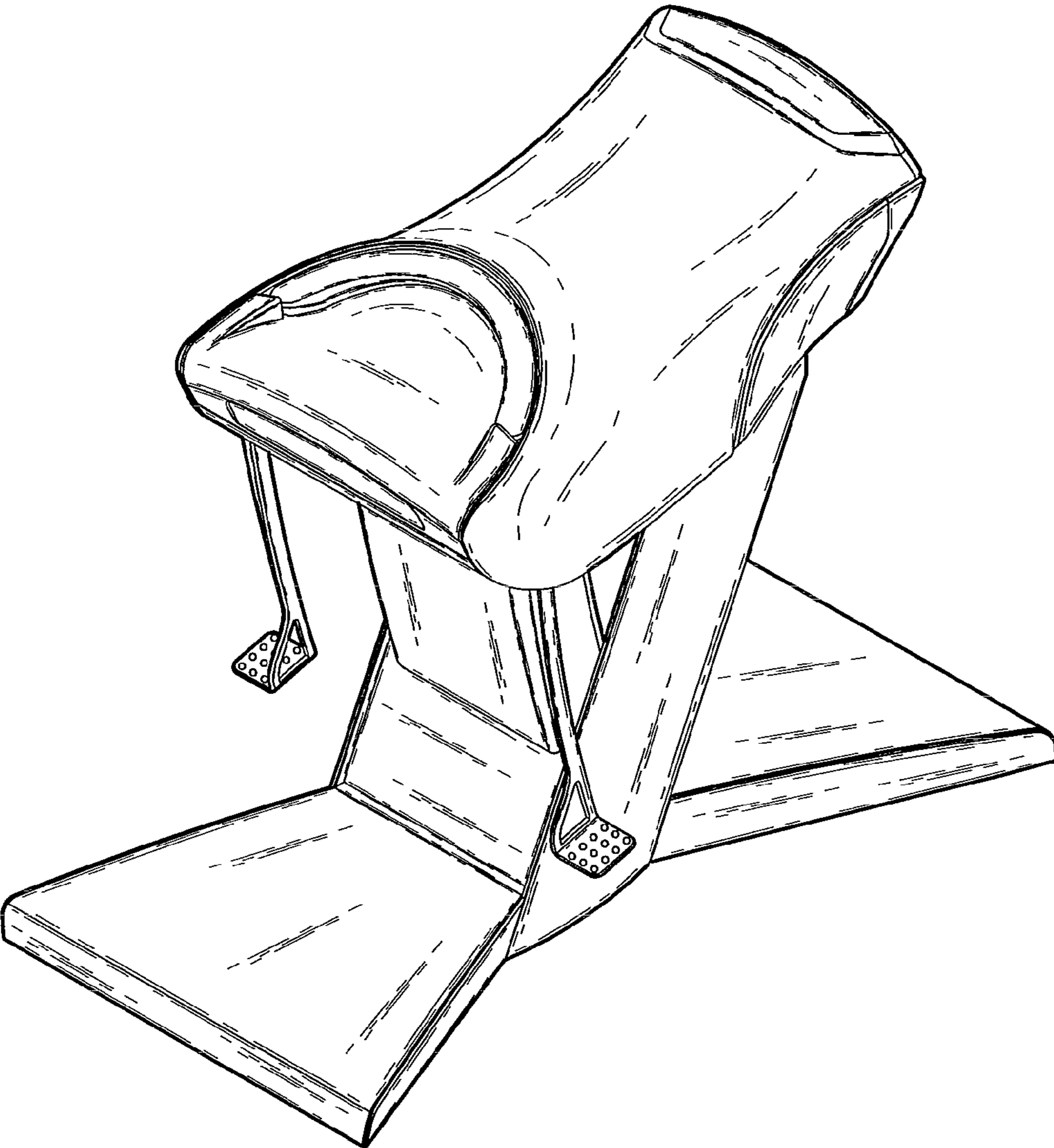


FIG. 2

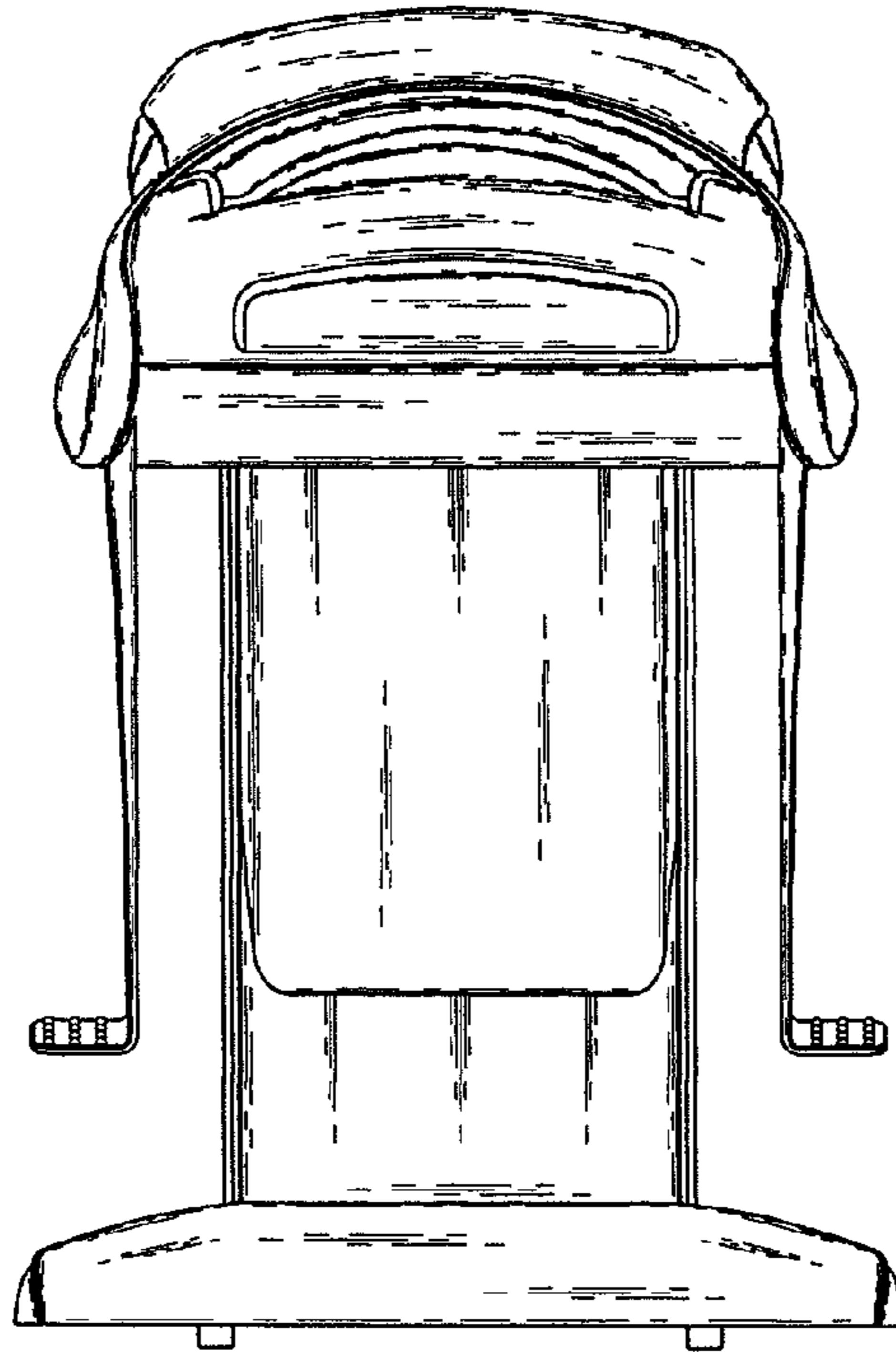


FIG. 3

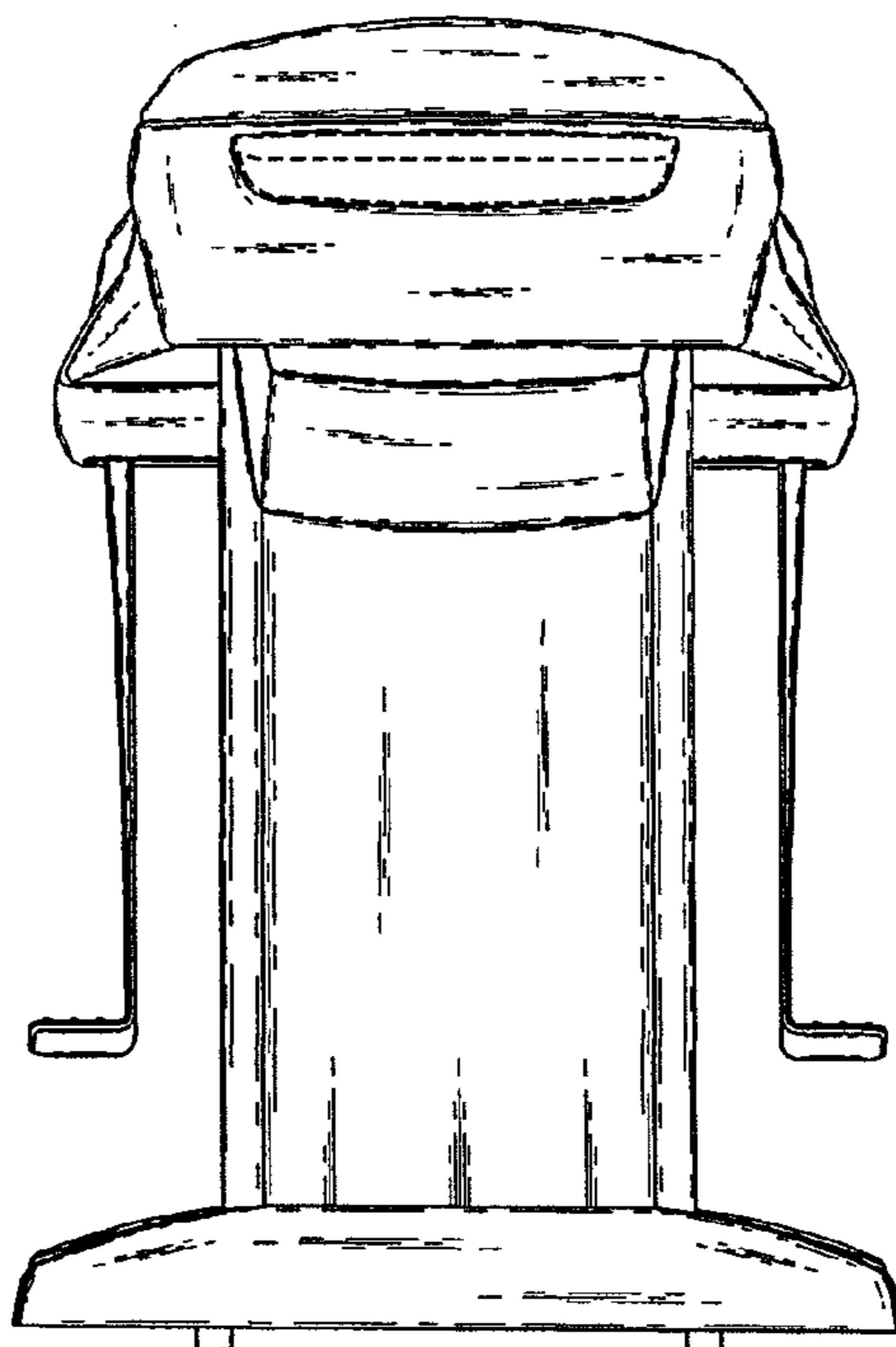


FIG. 4

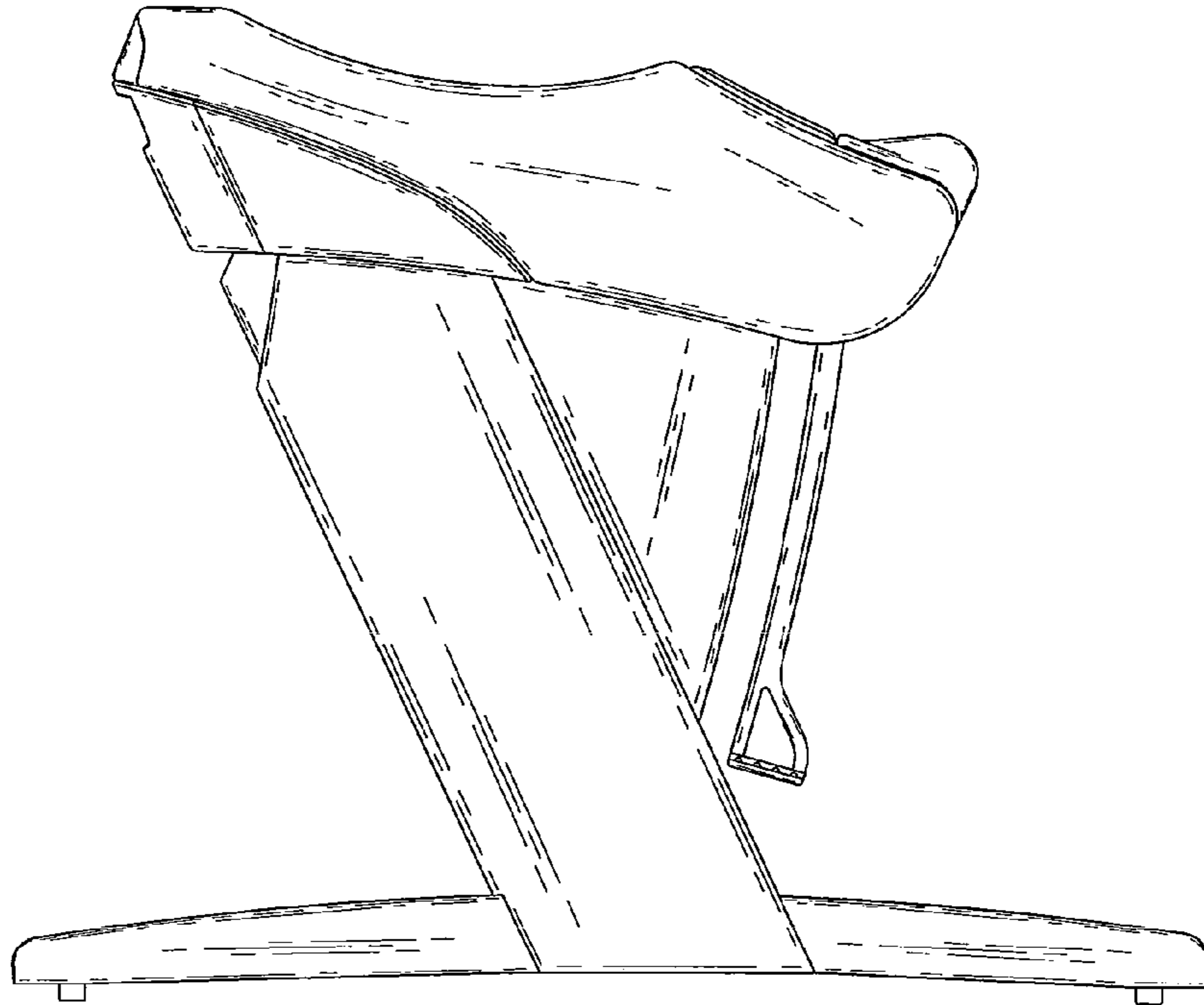


FIG. 5

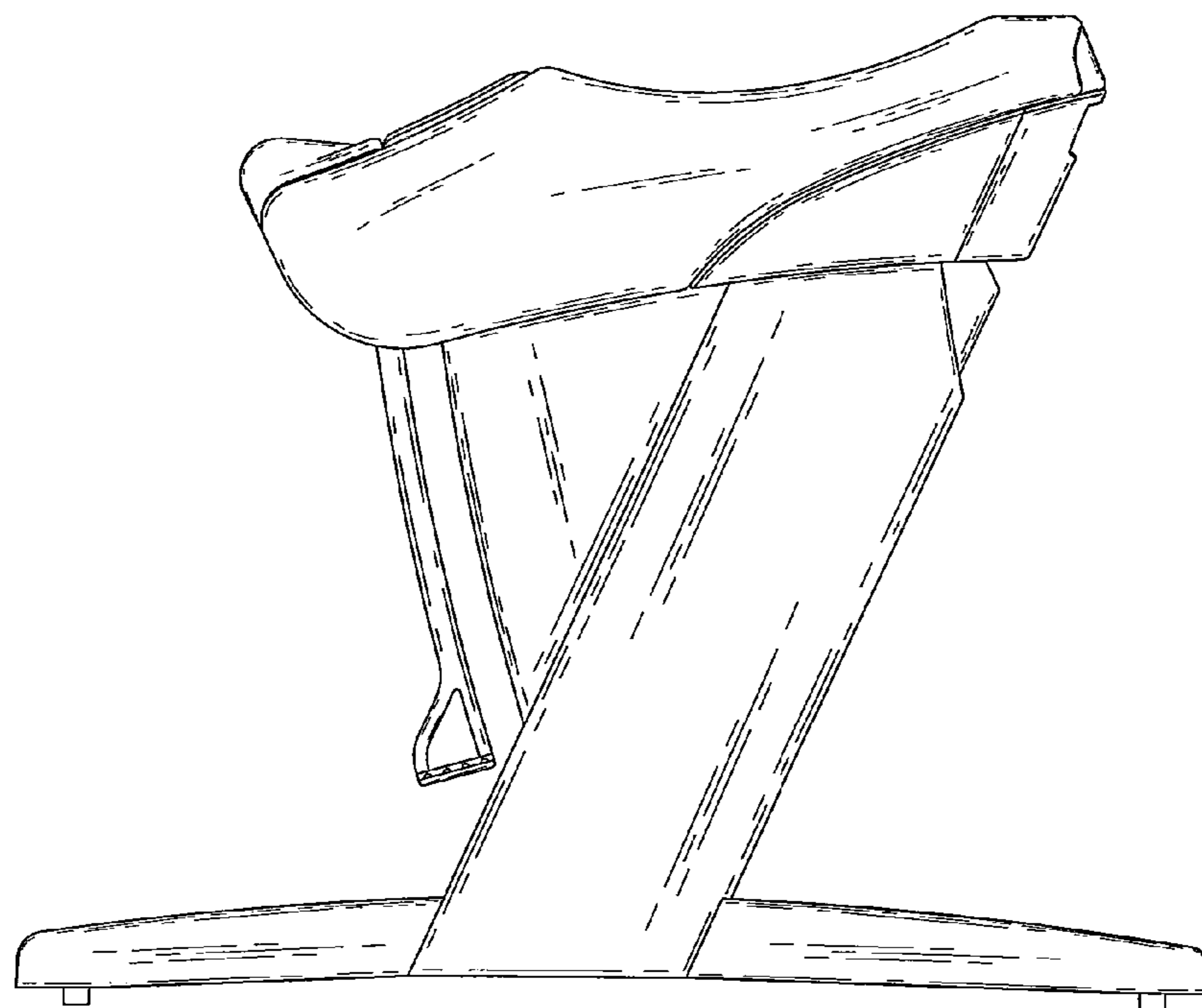




FIG. 6

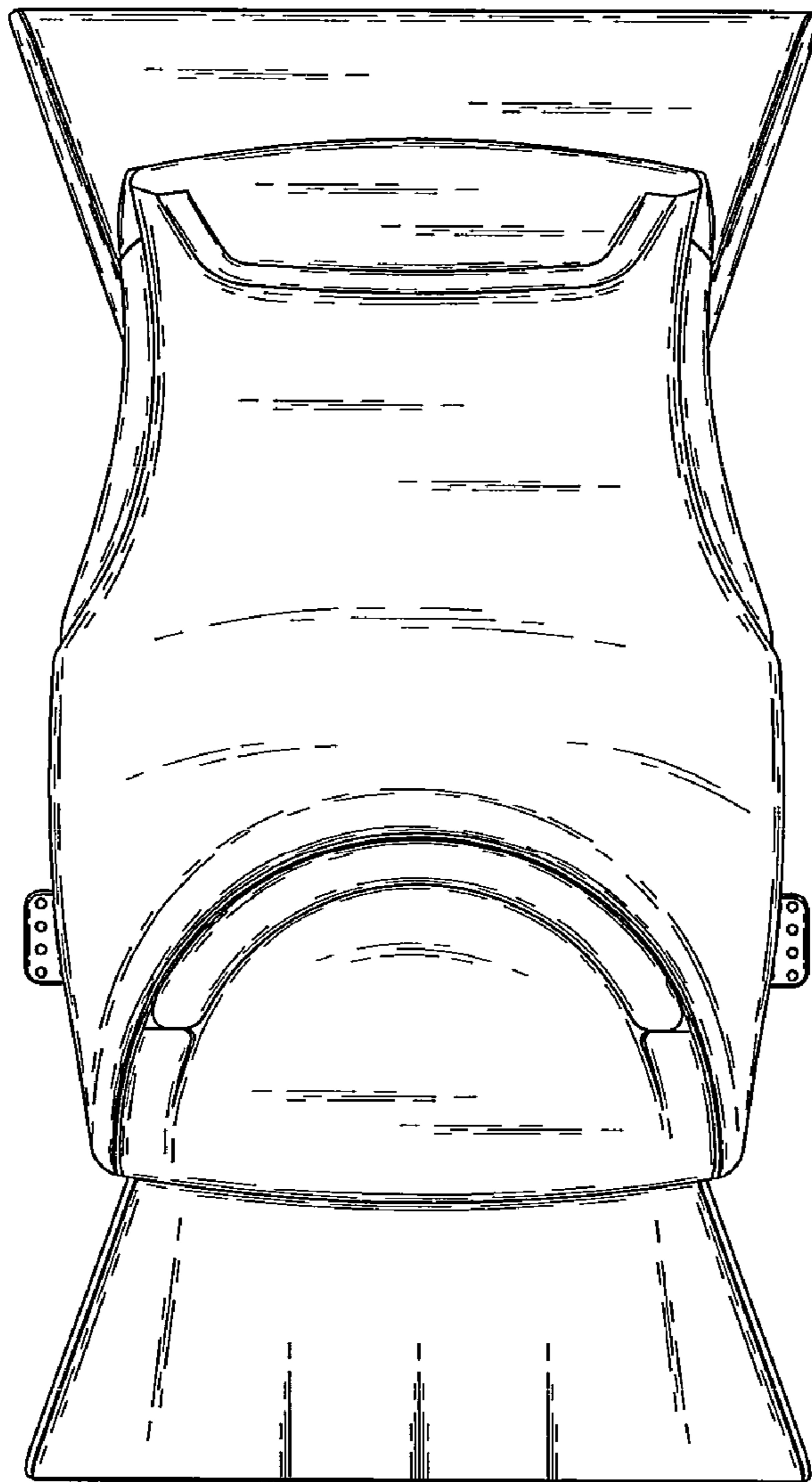


FIG. 7

