



US00D616046S

(12) **United States Design Patent**
Hwang

(10) **Patent No.:** **US D616,046 S**
(45) **Date of Patent:** **** May 18, 2010**

(54) **TOY BLOCK**

(75) Inventor: **Kyoo-Dong Hwang**, Seoul (KR)

(73) Assignee: **CES English Co., Ltd.**, Seoul (KR)

(**) Term: **14 Years**

(21) Appl. No.: **29/331,954**

(22) Filed: **Feb. 5, 2009**

(30) **Foreign Application Priority Data**

Aug. 5, 2008 (KR) 30-2008-0034021

(51) **LOC (9) Cl.** **21-01**

(52) **U.S. Cl.** **D21/501**

(58) **Field of Classification Search** D21/484,
D21/485, 486, 489-495, 499, 500-505; 446/69,
446/85, 102-128; 434/208, 259, 403; 273/153,
273/156, 160; D25/113-116, 118
See application file for complete search history.

(56) **References Cited**

U.S. PATENT DOCUMENTS

D249,232 S * 9/1978 Van der Veken D21/500
D370,503 S * 6/1996 Burns D21/500
5,653,621 A * 8/1997 Yao 446/127
6,050,044 A * 4/2000 McIntosh 446/124
D430,231 S * 8/2000 Sorensen et al. D21/500
D435,609 S * 12/2000 Sorensen D21/499

D445,148 S * 7/2001 McIntosh D21/500
D465,247 S * 11/2002 Sorensen D21/500
D465,816 S * 11/2002 Sorensen D21/500
D467,288 S * 12/2002 Sorensen D21/500

* cited by examiner

Primary Examiner—Philip S Hyder

Assistant Examiner—Cynthia M Chin

(74) *Attorney, Agent, or Firm*—NSIP Law

(57) **CLAIM**

The ornamental design for a toy block, as shown and described.

DESCRIPTION

FIG. 1 is a perspective view of the toy block, showing my new design;

FIG. 2 is a front view of the toy block;

FIG. 3 is a rear view of the toy block;

FIG. 4 is a left-side view of the toy block;

FIG. 5 is a right-side view of the toy block;

FIG. 6 is a top plan view of the toy block;

FIG. 7 is a bottom plan view of the toy block; and,

FIG. 8 is a bottom perspective view of the toy block.

The broken lines represent portions of the design that form no part of the claim.

1 Claim, 5 Drawing Sheets

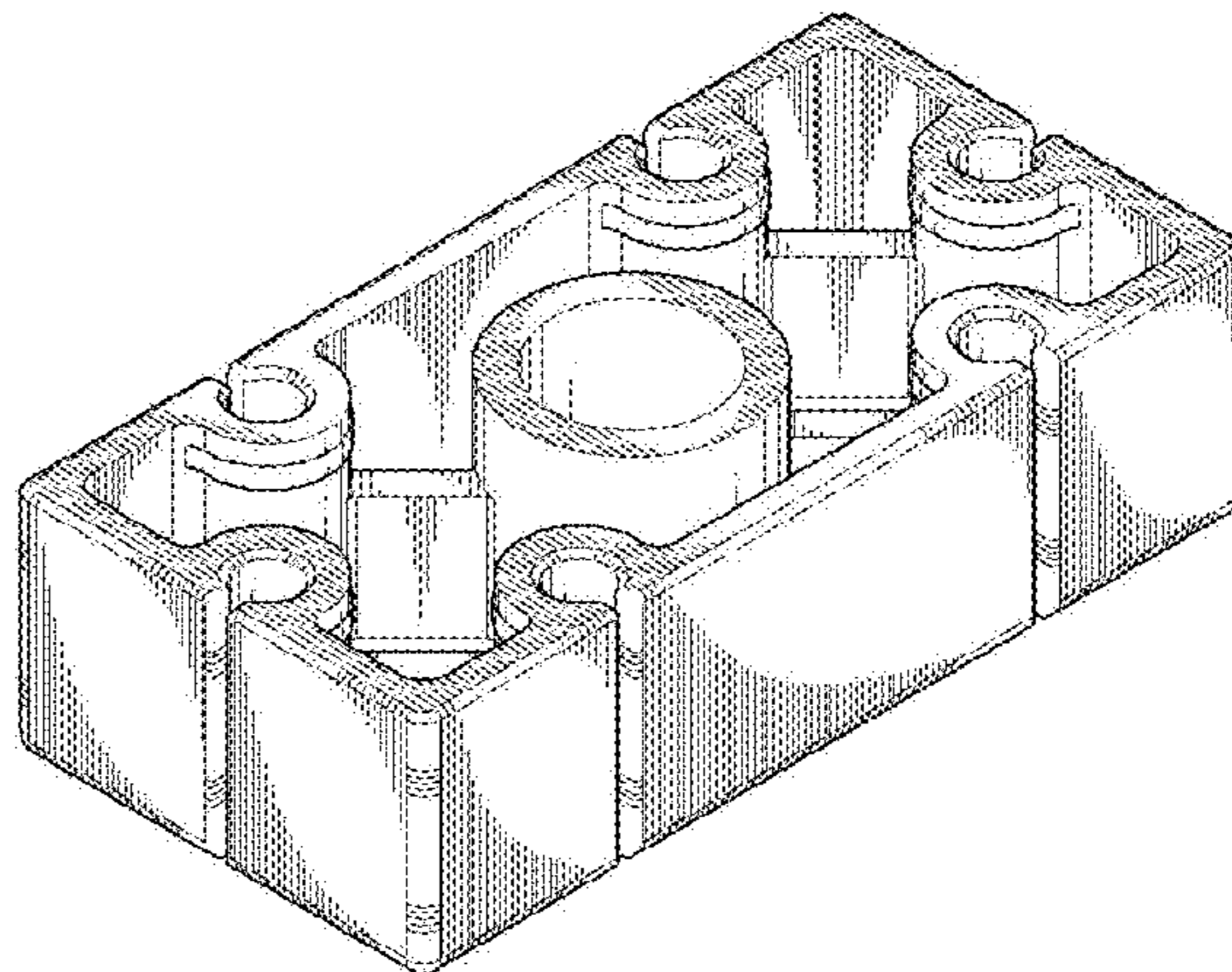
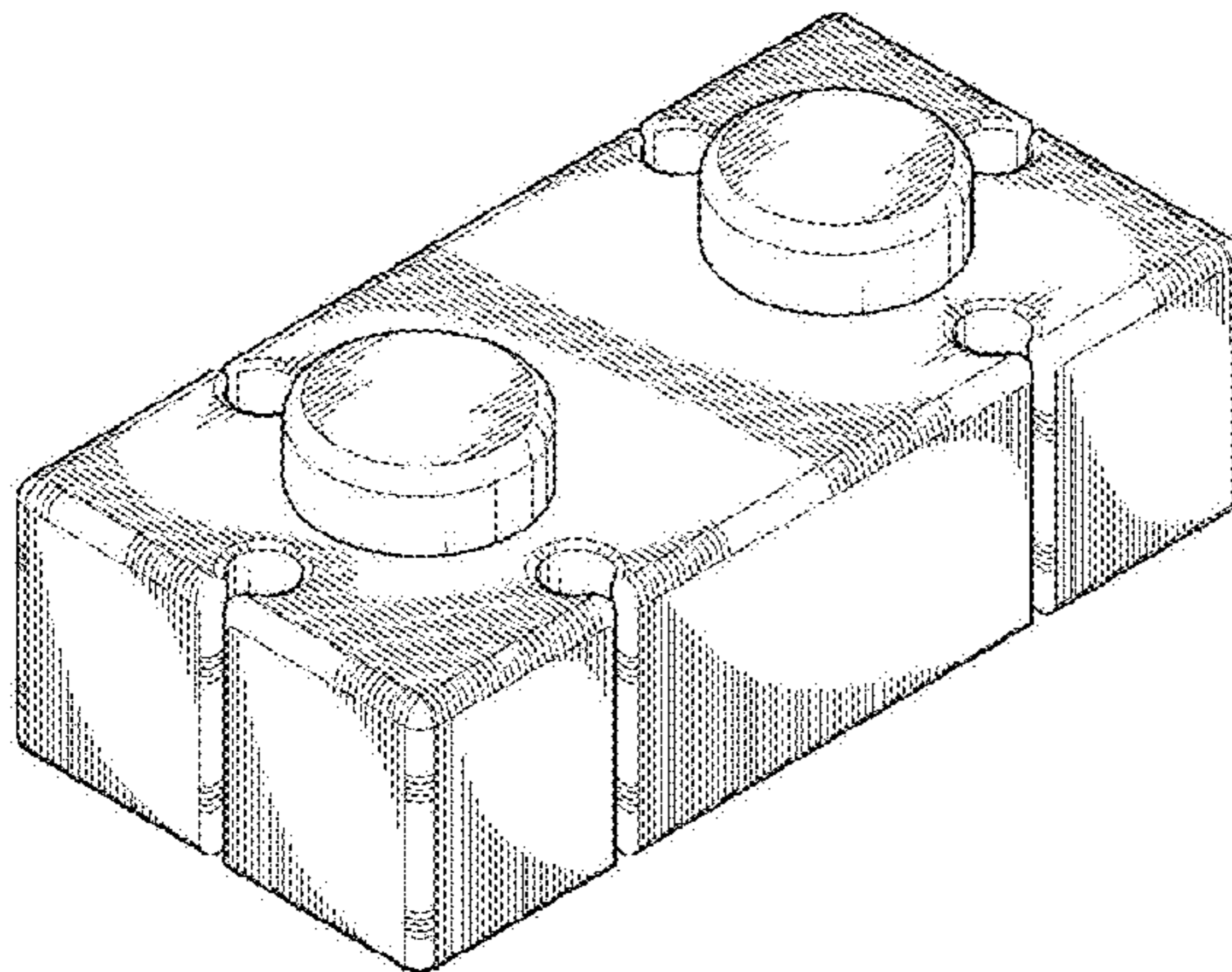


FIG. 1

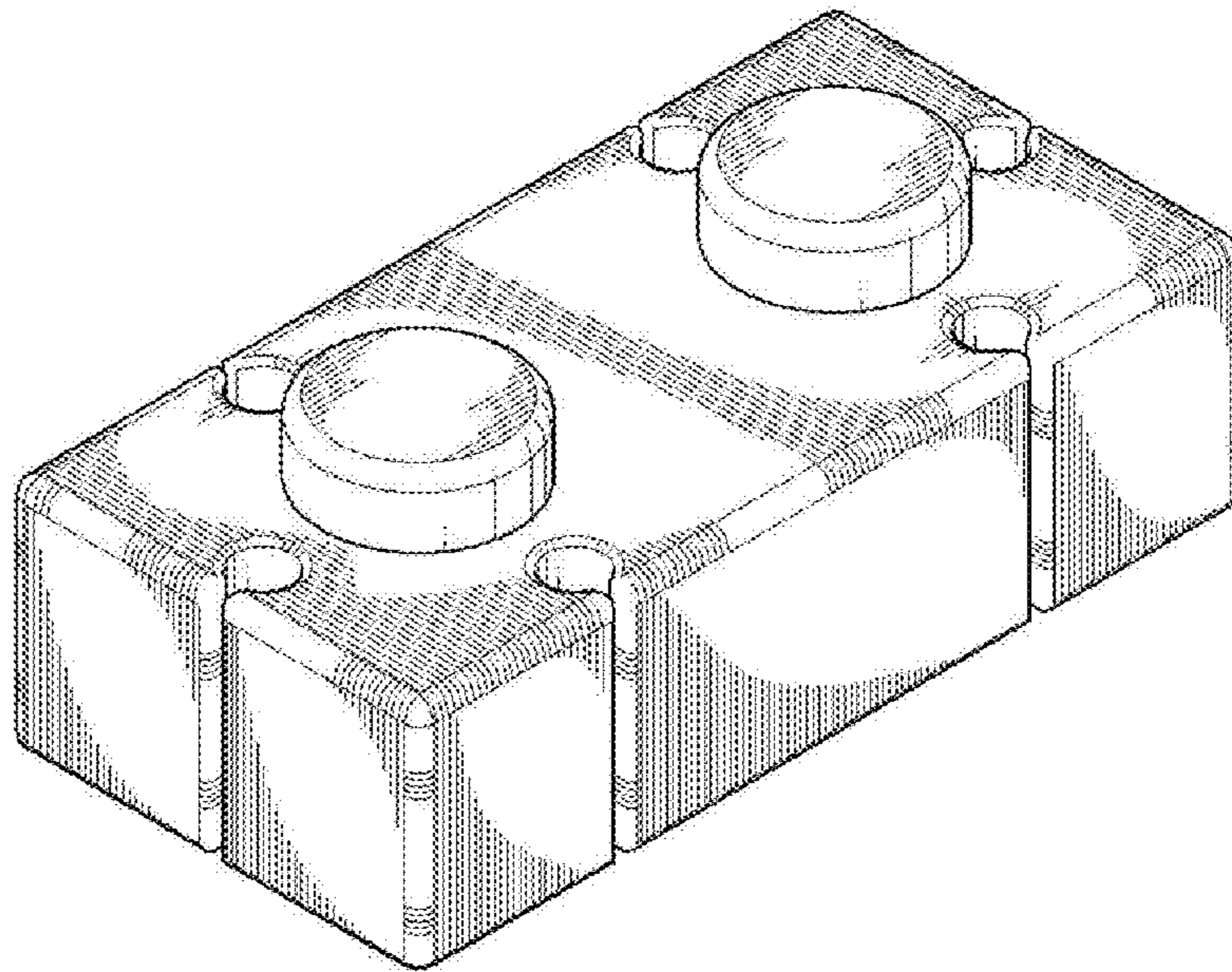


FIG. 2

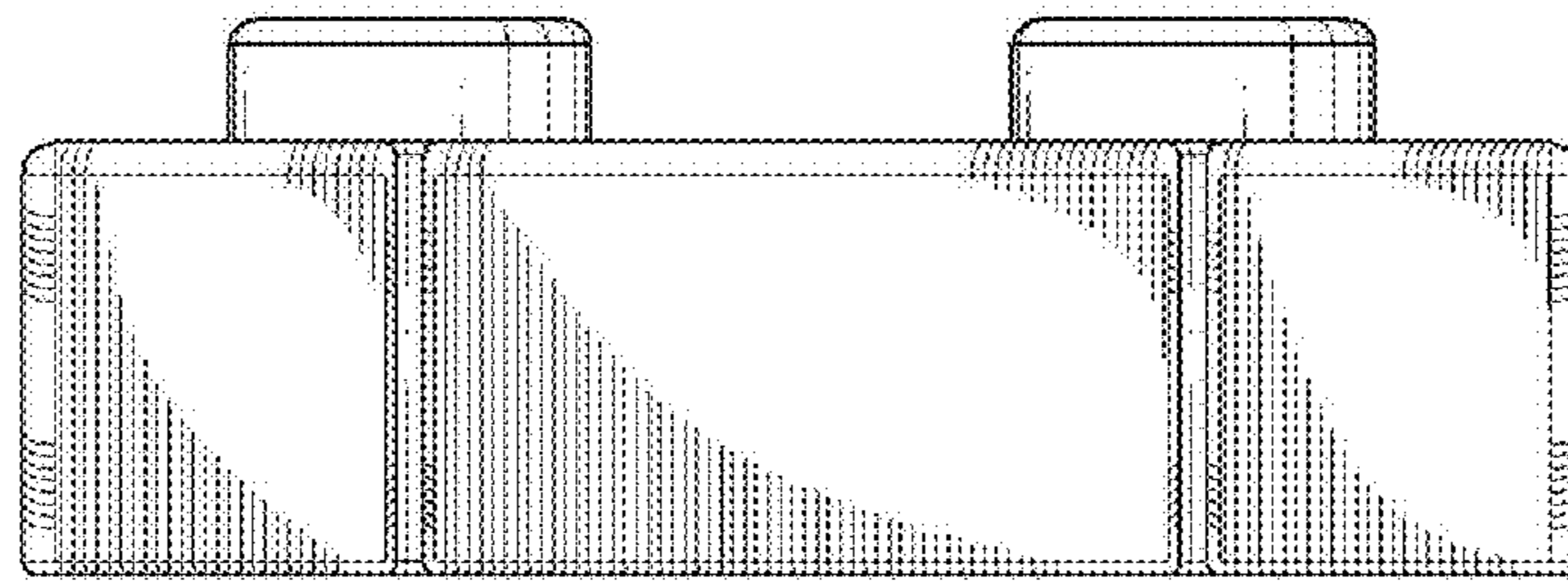


FIG. 3

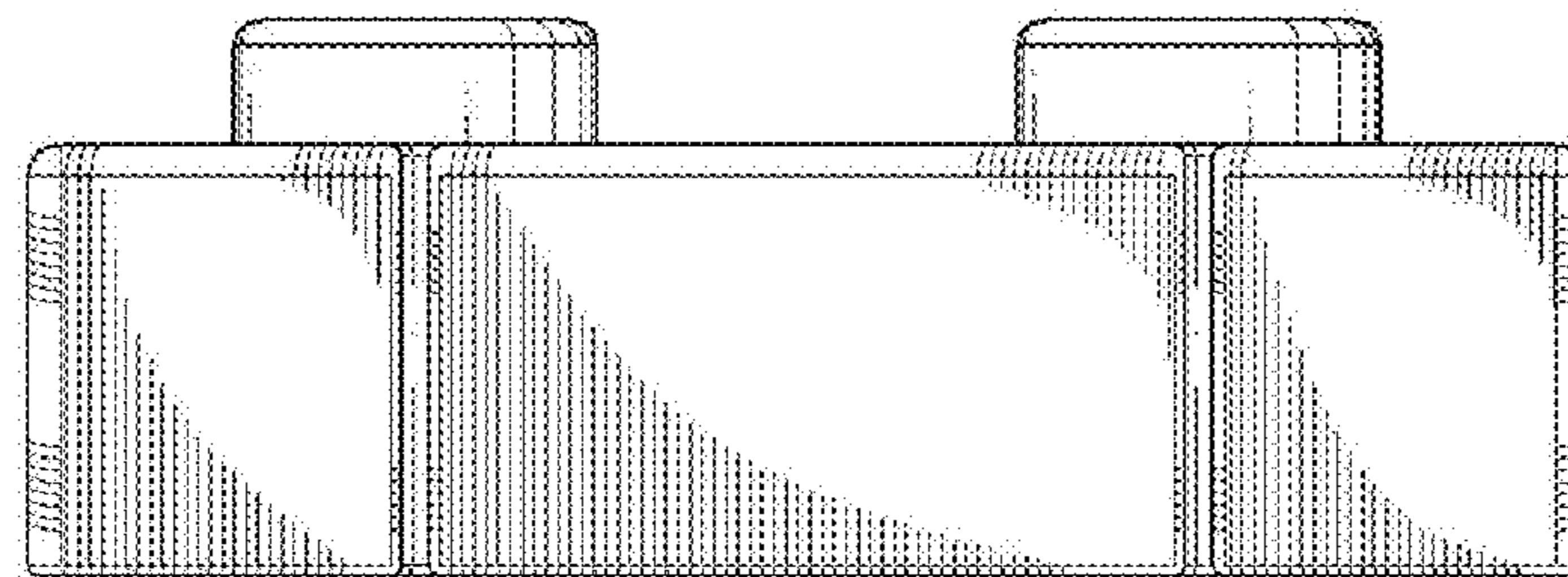


FIG. 4

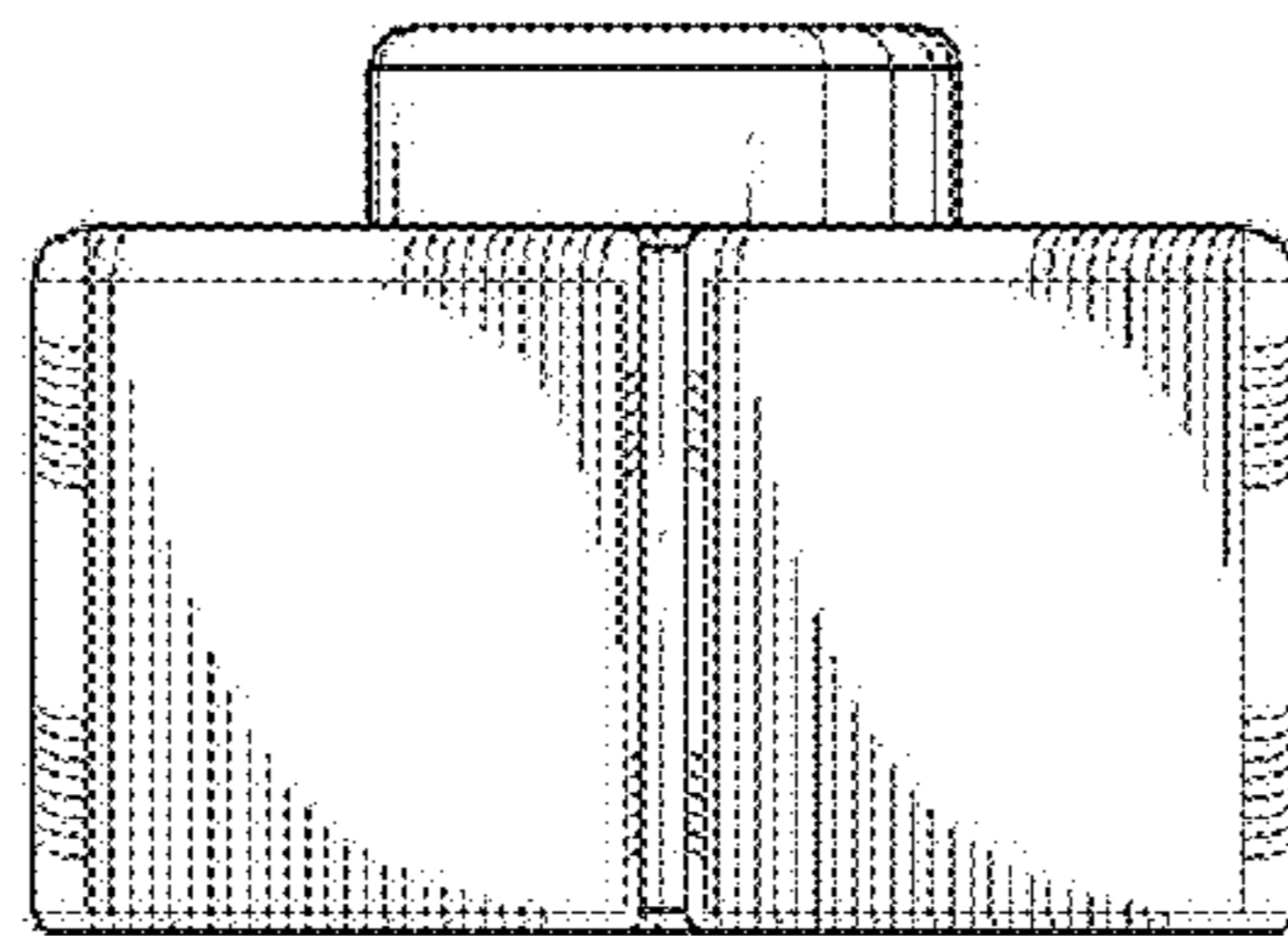


FIG. 5

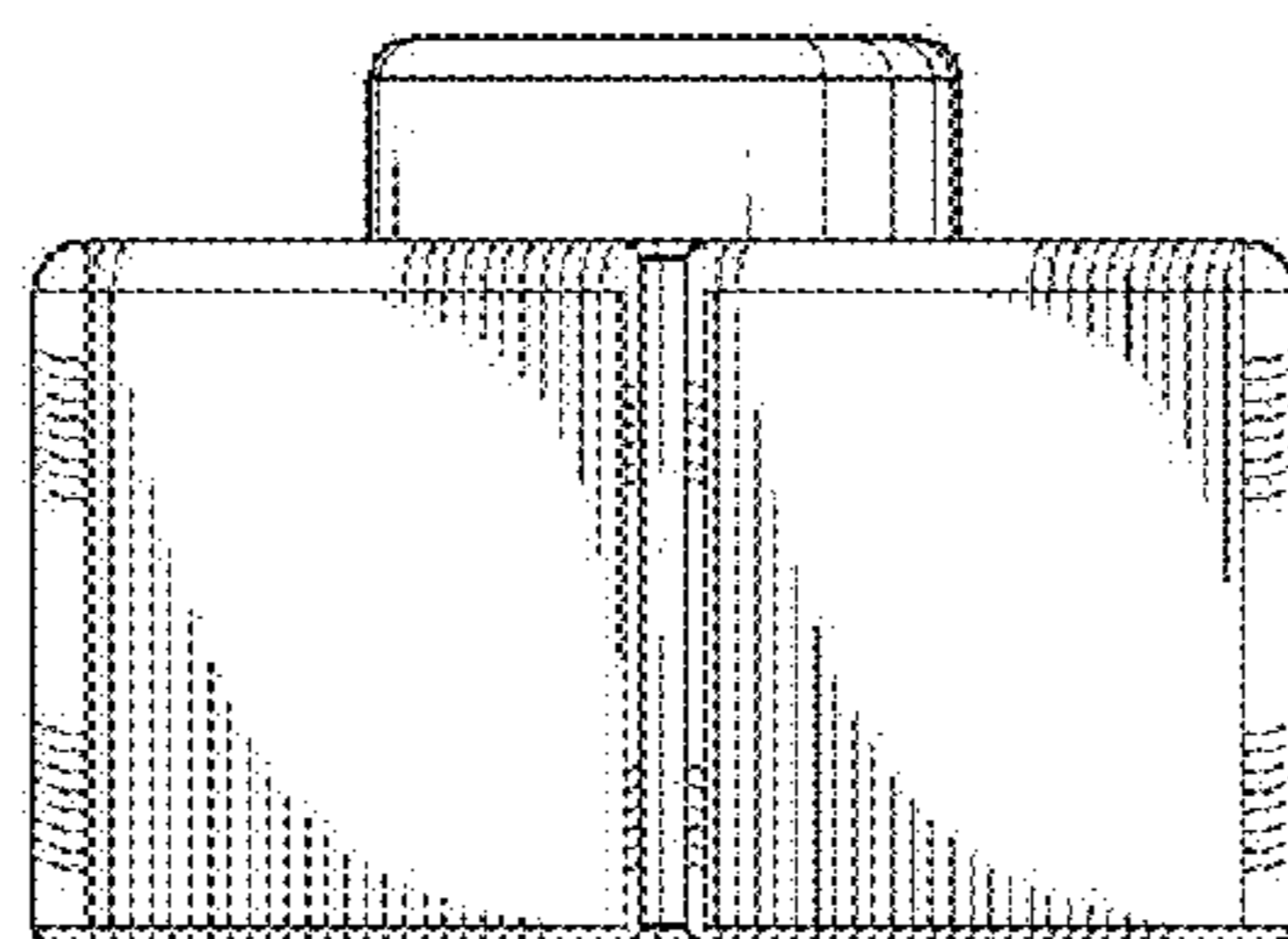


FIG. 6

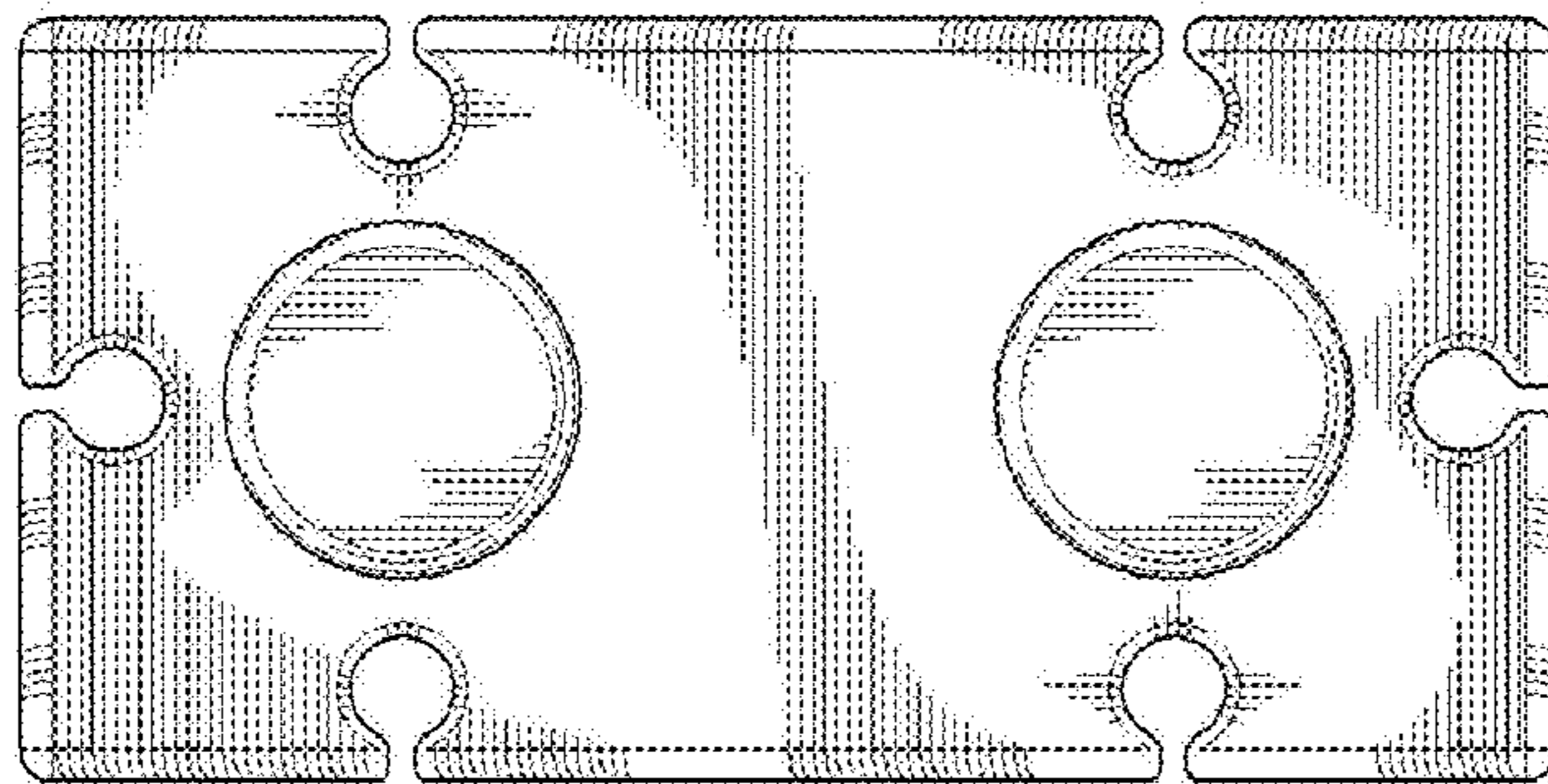


FIG. 7

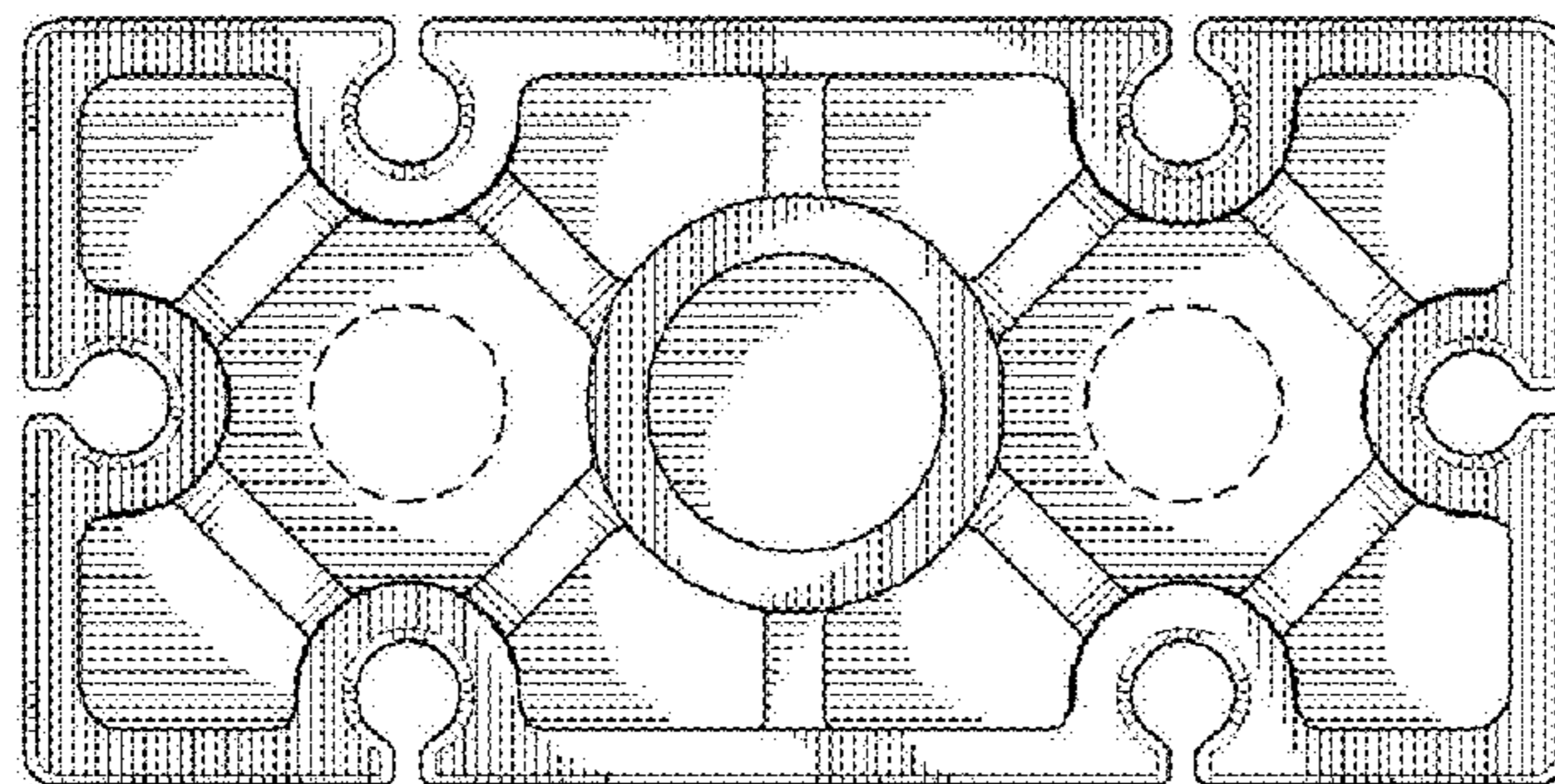


FIG. 8

